

Service instructions

for contractors

VIESSMANN

Vitodens 200-W
Type WB2C, 45 and 60 kW
Wall mounted gas condensing boiler
Natural gas and LPG version

For applicability, see the last page



VITODENS 200-W



Safety instructions



Please follow these safety instructions closely to prevent accidents and material losses.

Safety instructions explained



Danger

This symbol warns against the risk of injury.



Please note

This symbol warns against the risk of material losses and environmental pollution.

Note

Details identified by the word "Note" contain additional information.

Target group

These instructions are exclusively designed for qualified personnel.

- Work on gas equipment must only be carried out by a qualified gas fitter.
- Work on electrical equipment must only be carried out by a qualified electrician.
- The system must be commissioned by the system installer or a qualified person authorised by the installer.

Regulations

Observe the following when working on this system

- all legal instructions regarding the prevention of accidents,
- all legal instructions regarding environmental protection,
- the Code of Practice of relevant trade associations,

- all current safety regulations as defined by DIN, EN, DVGW, TRGI, TRF, VDE and all locally applicable standards,
- Gas Safety (Installation & Use) Regulations
 - the appropriate Building Regulation either the Building regulations, the Building Regulation (Scotland), Building Regulations (Northern Ireland),
 - the Water Fittings Regulation or Water Bylaws in Scotland,
 - the current I.E.E. Wiring Regulations.

If you smell gas



Danger

Escaping gas can lead to explosions which may result in serious injury.

- Never smoke. Prevent naked flames and sparks. Never switch lights or electrical appliances ON or OFF.
- Close the gas shut-off valve.
- Open windows and doors.
- Remove all people from the danger zone.
- Notify your gas or electricity supplier from outside the building.
- Shut off the electricity supply to the building from a safe place (outside the building).

Safety instructions (cont.)

If you smell flue gas



Danger

Flue gas can lead to life-threatening poisoning.

- Shut down the heating system.
- Ventilate the boiler room.
- Close all doors leading to the living space.

Working on the system

- When using gas as fuel, also close the main gas shut-off valve and safeguard against unauthorised reopening.
- Isolate the system from the power supply and check that it is no longer 'live', e.g. by removing a separate fuse or by means of a main isolator.
- Safeguard the system against unauthorised reconnection.



Please note

Electronic modules can be damaged by electro-static discharges.

Touch earthed objects, such as heating or water pipes, to discharge static loads.

Repair work



Please note

Repairing components which fulfil a safety function can compromise the safe operation of your heating system.

Replace faulty components only with original Viessmann spare parts.

Ancillary components, spare and wearing parts



Please note

Spare and wearing parts which have not been tested together with the heating system can compromise its function. Installing non-authorised components and non-approved modifications/conversion can compromise safety and may invalidate our warranty. For replacements, use only original spare parts from Viessmann or those which are approved by Viessmann.

Index

Commissioning, inspection, maintenance

Steps - commissioning, inspection and maintenance.....	6
Further details regarding the individual steps.....	8

Code 1

Calling up coding level 1.....	41
General/Group "1".....	42
Boiler/Group "2".....	44
DHW/Group "3".....	45
Solar/Group "4".....	46
Heating circuit 1, heating circuit 2, heating circuit 3/Group "5".....	47

Code 2

Calling up coding level 2.....	55
General/Group "1".....	56
Boiler/Group "2".....	65
DHW/Group "3".....	66
Solar/Group "4".....	69
Heating circuit 1, heating circuit 2, heating circuit 3/Group "5".....	76

Diagnosis and service scans

Calling up the service menu.....	86
Diagnosis.....	86
Checking outputs (relay test).....	92

Troubleshooting

Fault display.....	95
Fault codes.....	97
Repairs.....	109

Function description

Constant temperature control unit.....	117
Weather-compensated control unit.....	118
Internal extensions (accessories).....	119
External extensions (accessories).....	121
Control functions.....	125
Assigning the heating circuits to the remote control.....	132
Electronic combustion controller.....	132

Designs

Connection and wiring diagram – internal connections.....	134
Connection and wiring diagram – external connections.....	135

Index (cont.)

Parts lists..... 137

Commissioning/service reports
..... 142

Specification..... 143

Certificates
Declaration of conformity..... 144
Manufacturer's certificate according to the 1st BImSchV [Germany]..... 144

Keyword index..... 145

Steps - commissioning, inspection and maintenance

For further information regarding the individual steps, see the page indicated

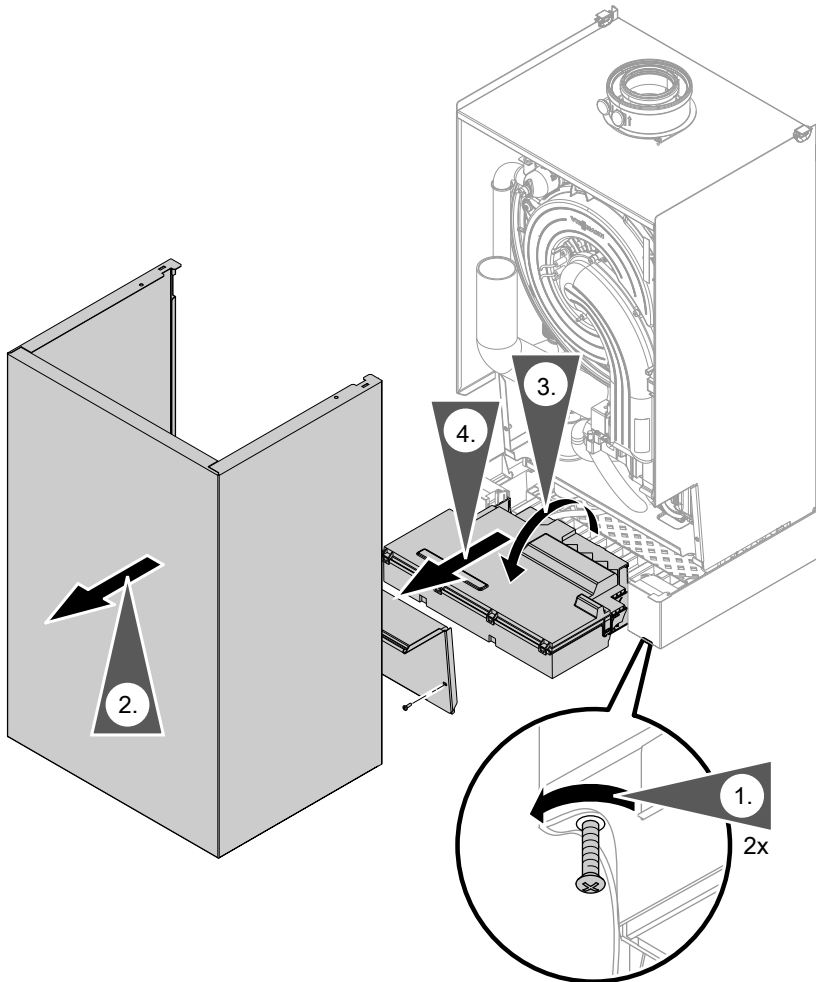
				Page
			Commissioning steps	
			Inspection steps	
			Maintenance steps	
•	•	•	1. Opening the boiler.....	8
•			2. Filling the heating system.....	9
•			3. Venting the boiler by flushing.....	10
•			4. Selecting the language (if required) – only for weather-compensated control units.....	10
•	•		5. Setting the time and date (if required) – only for weather-compensated control units.....	10
•			6. Venting the heating system.....	11
•			7. Filling the siphon with water.....	11
•	•	•	8. Checking all connections on the heating water side and DHW side for leaks	
•			9. Checking the power supply connection	
•			10. Designating heating circuits – only for weather-compensated control units.....	12
•		•	11. Checking the gas type.....	12
•			12. Gas type conversion (only for operation with LPG)....	13
•	•	•	13. Function sequence and possible faults.....	13
•	•	•	14. Checking the static and supply pressure.....	15
•			15. Setting the maximum output.....	17
•			16. Checking the balanced flue system for tightness (annular gap check).....	18
	•	•	17. Removing the burner and checking the burner gasket	19
	•	•	18. Checking the burner gauze assembly & replacing if required.....	21
	•	•	19. Checking and adjusting the ignition and ionisation electrodes.....	22
	•	•	20. Cleaning the combustion chamber/heat exchanger and installing the burner.....	22

Steps - commissioning, inspection and... (cont.)

				Page
			Commissioning steps	
			Inspection steps	
			Maintenance steps	
	•	•	21. Checking the condensate drain and cleaning the siphon.....	24
		•	22. Checking the neutralising system (if installed)	
		•	23. Checking the diaphragm expansion vessel and system pressure.....	24
•	•	•	24. Checking the function of safety valves	
•	•	•	25. Checking electrical connections for tightness	
•	•	•	26. Checking gas equipment for tightness at operating pressure	25
•	•	•	27. Flue gas emissions test.....	25
•	•	•	28. Checking the external LPG safety valve (if installed)	
•			29. Matching the control unit to the heating system	27
•			30. Adjusting the heating curves (only for weather-compensated control units).....	34
•			31. Connecting the control unit to the LON system (only for weather-compensated control units).....	37
		•	32. Scanning and resetting the "Service" display.....	39
•			33. Instructing the system user.....	40

Further details regarding the individual steps

Opening the boiler



Further details regarding the individual steps (cont.)

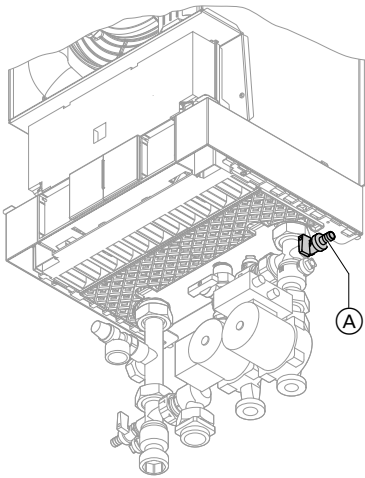
Filling the heating system



Please note

Unsuitable fill water increases the level of deposits and corrosion and may lead to boiler damage.

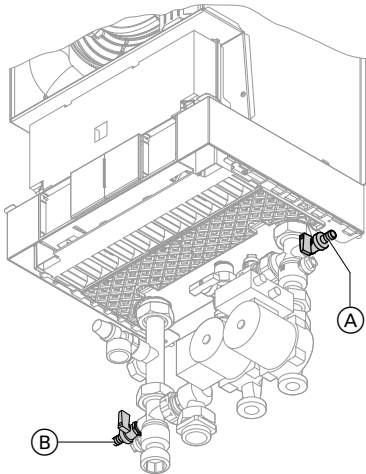
- Thoroughly flush the entire heating system prior to filling it with water.
- Only use fill water of potable quality.
- Soften fill water with a water hardness in excess of the following values, e.g. with a small softening system for heating water (see the Viessmann Vitoset pricelist):
 - Vitodens 200-W to 45 kW: 16.8 °dH (3.0 mol/m³)
 - Vitodens 200-W from 60 kW and multi-boiler systems: 11.2 °dH (2.0 mol/m³)
- An antifreeze additive suitable for heating systems can be added to the fill water. The antifreeze manufacturer must verify its suitability.



1. Check the pre-charge pressure of the diaphragm expansion vessel.
2. Close the gas shut-off valve.
3. Fill the heating system at the boiler drain & fill valve (A) (on the connection set, accessories or on-site). Minimum system pressure > 1.0 bar.
4. Close boiler drain & fill valve (A).

Further details regarding the individual steps (cont.)

Venting the boiler by flushing



1. Close the shut-off valves on the heating water side.
2. Connect the drain hose at boiler drain & fill valve (B) (on the connection set, accessories or on-site).
3. Open valves (A) and (B) and vent using mains pressure until no more air noise is audible.
4. Close valves (A) and (B) and open the heating water shut-off valves.

Selecting the language (if required) – only for weather-compensated control units

Note

At the commissioning stage, the display is in German (default setting)

Extended menu:

1.

2. "Settings"

3. "Language"

Sprache	
Deutsch	DE <input checked="" type="checkbox"/>
Cesky	CZ <input type="checkbox"/>
Dansk	DK <input type="checkbox"/>
English	GB <input type="checkbox"/>
Wählen mit	

4. Set the required language with ▲/▼.

Setting the time and date (if required) – only for weather-compensated control units

During commissioning, or after prolonged time out of use, the time and date need to be reset.

Extended menu:

1.

2. "Settings"

Further details regarding the individual steps (cont.)

3. "Time / Date"

4. Set current time and date.

Venting the heating system


1. Close the gas shut-off valve and switch the control unit ON.
2. Activate venting program (see next steps).

Note

For function and sequence of the venting program, see page 127.


3. Check the system pressure.

Activating venting program with weather-compensated control units:



1. Press **OK** and  simultaneously for approx. 4 s.

2. "Service functions"

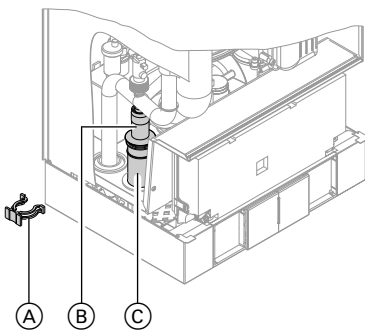
3. "Venting"

4. Terminating venting program:
Press **OK** or .

Activating venting program with constant temperature control units:

1. Press **OK** and  simultaneously for approx. 4 s.
2. Select **► "5"** and confirm with **OK**.
When the venting program is activated, "EL on" is shown on the display.
3. Terminating venting program:
Press .

Filling the siphon with water



1. Remove retaining clip (A) and pull out insert (B).
2. Fill siphon (C) with water and reassemble.

Note

Install the supply hose the correct way round.

Further details regarding the individual steps (cont.)

Designating heating circuits – only for weather-compensated control units

In the delivered condition, the heating circuits are designated "Heating circuit 1", "Heating circuit 2" and "Heating circuit 3" (if installed).

If the system user prefers, the heating circuits can be designated differently to suit the specific system.

Enter names for heating circuits:



Operating instructions

Checking the gas type

The boiler is equipped with an electronic combustion controller that adjusts the burner for optimum combustion in accordance with the prevailing gas quality.

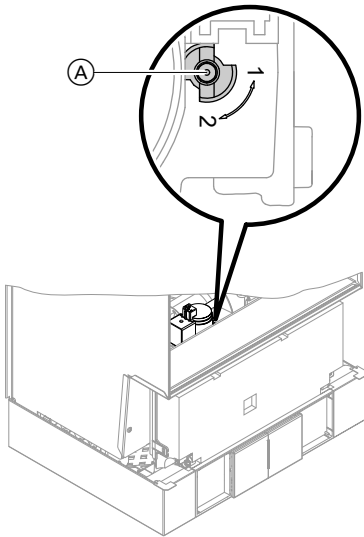
- Consequently, for natural gas there is no adjustment required across the entire Wobbe index range.

The boiler can be operated in the Wobbe index range 9.5 to 15.2 kWh/m³ (34.2 to 54.7 MJ/m³).

- Convert the burner for operation with LPG (see "Gas type conversion" on page 13).
1. Determine the gas type and Wobbe index by asking your local gas supply utility or LPG supplier.
 2. Convert the burner for operation with LPG (see page 13).
 3. Record the gas type in the service report on page 142.

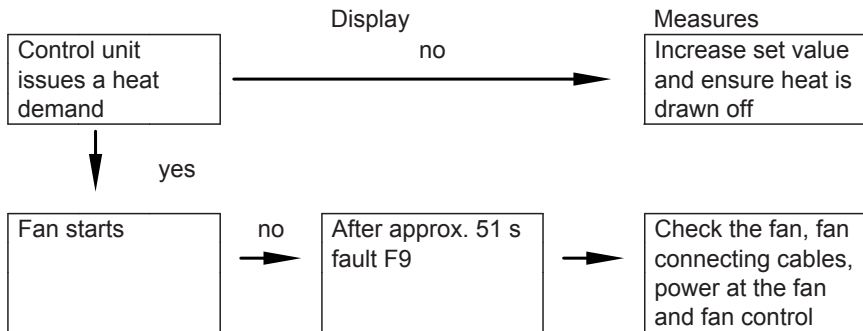
Further details regarding the individual steps (cont.)

Gas type conversion (only for operation with LPG)

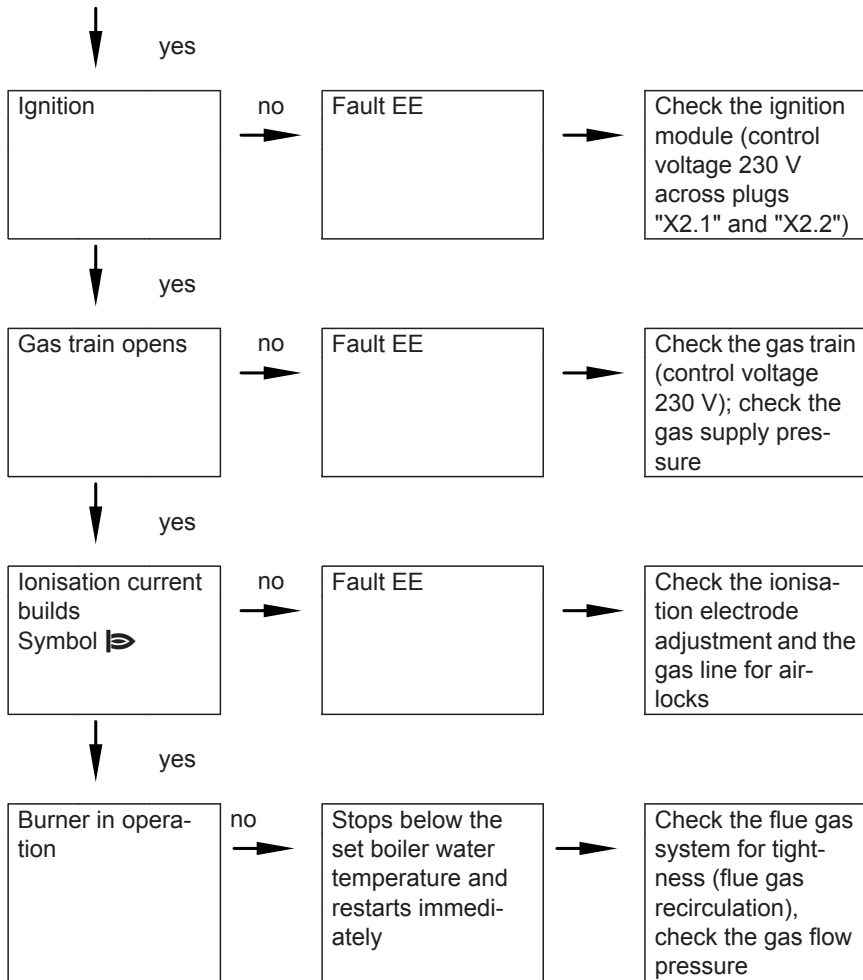


1. Set adjusting screw (A) at the gas train to "2".
2. Switch ON/OFF switch "B" ON.
3. Select the gas type in coding address "82":
 - Call up code 2.
 - Call up **"General"** (weather-compensated control units) or Group **"1"** (constant temperature control units).
 - In coding address "11", select value "9".
 - In coding address "82", select value "1" (LPG operation).
 - In code "11" select value ≠ "9".
 - End service functions.
4. Open the gas shut-off valve.
5. Affix label "G 31" (included with the technical documentation) in a clearly visible position, near the gas train on the cap panel.

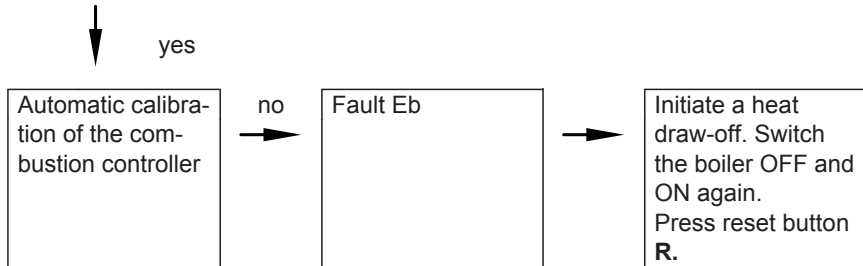
Function sequence and possible faults



Further details regarding the individual steps (cont.)



Further details regarding the individual steps (cont.)



For further fault details, see page 95.

Checking the static and supply pressure



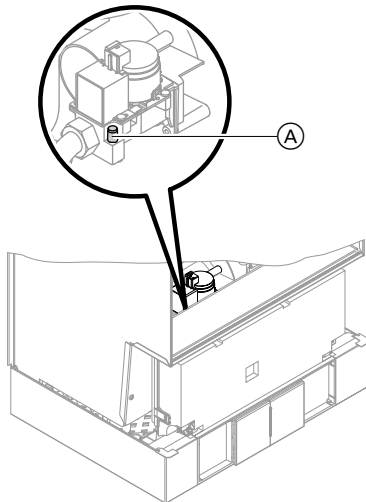
Danger

CO build-up as a result of an incorrect burner setup can have serious health implications.

Carry out a CO test prior to and after work on gas equipment.

Operation with LPG

Flush the LPG tank twice during commissioning/replacement. Vent the tank and gas supply lines thoroughly after flushing.



1. Close the gas shut-off valve.
2. Release screw (A) inside test nipple "PE" on the gas train, but do not remove it; then connect the pressure gauge.
3. Open the gas shut-off valve.
4. Measure the static pressure and record it in the service report on page 142.
Set value: max. 57.5 mbar.



Further details regarding the individual steps (cont.)

5. Start the boiler.

Note


*During commissioning, the boiler can enter a fault state because of airlocks in the gas line. After approx. 5 s, press **R** to reset the burner.*

6. Check the supply (flow) pressure. Set values:
 - Natural gas 20 mbar
 - LPG 50 mbar

Note

Use suitable test equipment with a resolution of at least 0.1 mbar to measure the supply pressure.

7. Record the actual value in the service report.
Take the action shown in the following table.
8. Shut down the boiler, close the gas shut-off valve, remove the pressure gauge and close test nipple (A) with the screw.

9.  **Danger**
Gas escaping from the test nipple leads to a risk of explosions.
Check for tightness.

Open the gas shut-off valve, start the boiler and check for tightness at test nipple (A).


Further details regarding the individual steps (cont.)

Supply (flow) pressure for natural gas	Supply (flow) pressure for LPG	Measures
below 15 mbar	below 42.5 mbar	Do not start the boiler. Notify your gas supply utility or LPG supplier.
15 to 25 mbar	42.5 to 57.5 mbar	Start the boiler.
above 25 mbar	above 57.5 mbar	Install a separate gas pressure governor upstream of the system and regulate the pre-charge pressure to 20 mbar for natural gas or 50 mbar for LPG. Notify your gas supply utility or LPG supplier.



Setting the maximum output

You can limit the maximum output for **heating operation**. The limit is set via the modulation range. The max. adjustable heating output is limited upwards by the boiler coding card.

Weather-compensated control unit:

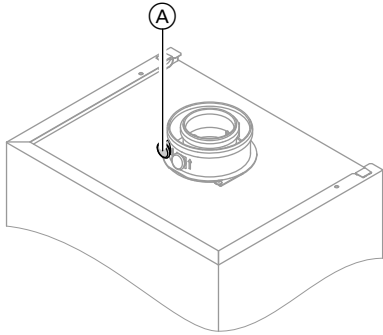
1. Press **OK** and  simultaneously for approx. 4 s.
2. **"Service functions"**
3. **"Max. output"**
4. **"Change?"** Select **"Yes"**.
A value flashes on the display (e.g. "85"). In the delivered condition, this value represents 100 % of rated output.
5. Select required value.

Constant temperature control unit:

1. Press **OK** and  simultaneously for approx. 4 s.
2. Select **"③"** and confirm with **OK**.
A value flashes on the display (e.g. "85") and  appears. In the delivered condition, this value represents 100 % of rated output.
3. Select required value and confirm with **OK**.

Further details regarding the individual steps (cont.)

Checking the balanced flue system for tightness (annular gap check)



Ⓐ Combustion air aperture

For balanced flue systems tested together with the wall mounted gas fired boiler, the requirement for a tightness test during commissioning by the flue gas inspector is not applicable.

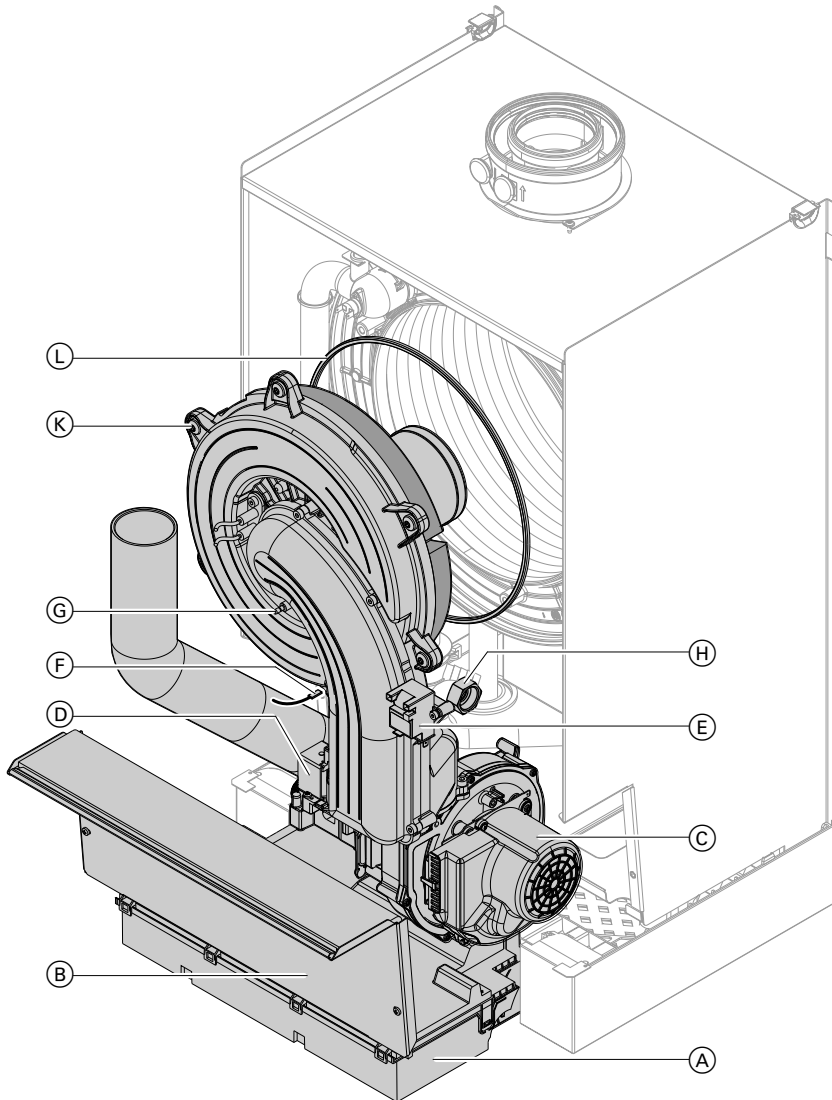
We recommend that your heating engineer carries out a simple leak/tightness test during the commissioning of your system. For this, it would be sufficient to check the CO_2 or O_2 concentration in the combustion air at the annular gap of the balanced flue pipe.

The flue pipe is deemed to be gas-tight if the CO_2 concentration in the combustion air is no higher than 0.2 % or the O_2 concentration is at least 20.6 %.

If actual CO_2 values are higher or O_2 values are lower, then pressure test the flue pipe with a static pressure of 200 Pa.

Further details regarding the individual steps (cont.)

Removing the burner and checking the burner gasket

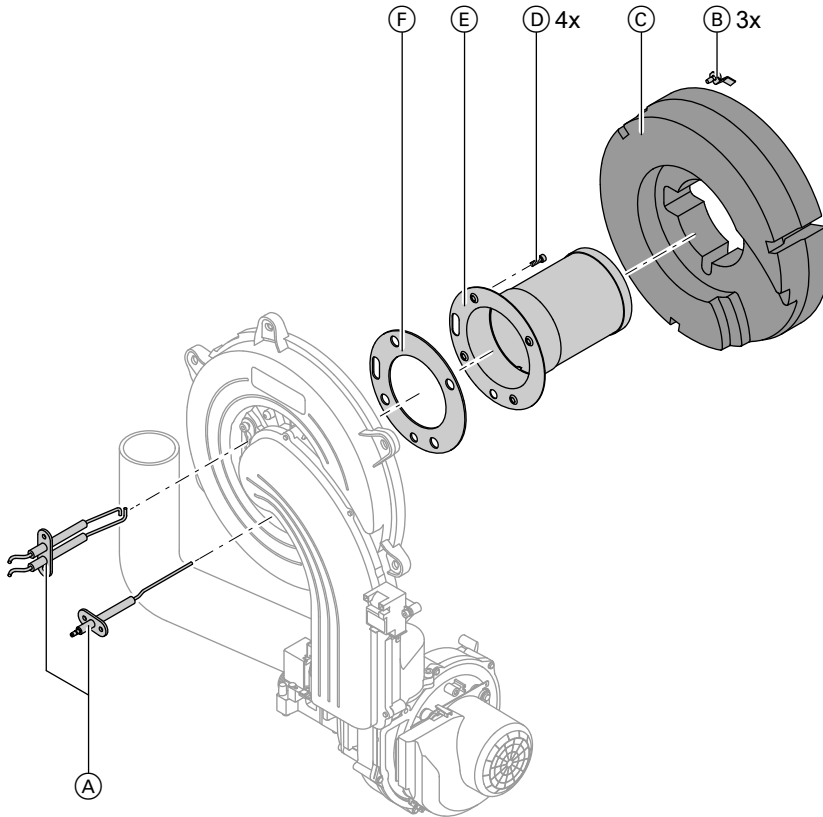


Further details regarding the individual steps (cont.)

1. Switch OFF the main power supply and the ON/OFF switch at the control unit.
2. Close the gas shut-off valve and safeguard against reopening.
3. Pivot control unit (A) forward.
4. Remove cover panel (B).
5. Pull cables from fan motor (C), gas train (D), ignition unit (E), earth tab (F) and ionisation electrode (G).
6. Release gas supply pipe fitting (H).
7. Undo six screws (K) and remove the burner.
! **Please note**
To prevent damage, never touch the mesh of the burner gauze assembly.
8. Check burner gasket (L) for damage and replace if required.

Further details regarding the individual steps (cont.)

Checking the burner gauze assembly & replacing if required



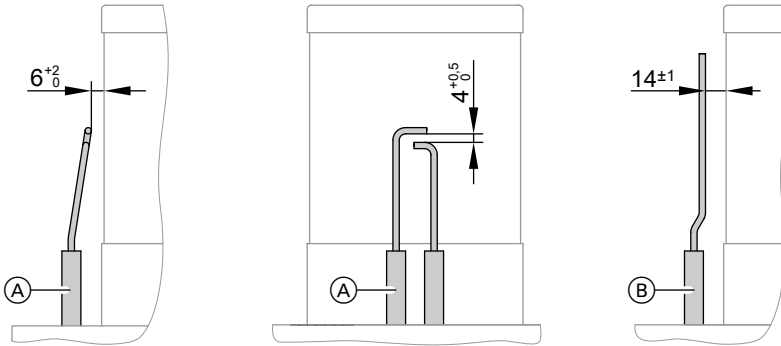
1. Remove electrodes (A).
2. Undo three retaining clips (B) at thermal insulation ring (C) and remove thermal insulation ring (C).
3. Release four Torx screws (D) and remove burner gauze assembly (E).
4. Remove old burner gauze assembly gasket (F).
5. Insert a new burner gauze assembly with a new gasket and secure with four Torx screws.
6. Refit thermal insulation ring (C) and electrodes (A).

Note

Torque: 4.5 Nm

Further details regarding the individual steps (cont.)

Checking and adjusting the ignition and ionisation electrodes



(A) Ignition electrodes

(B) Ionisation electrode

1. Check the electrodes for wear and contamination.
2. Clean the electrodes with a small brush (not with a wire brush) or sand paper.
3. Check the electrode gaps. If the gaps are not as specified or the electrodes are damaged, replace the electrodes together with new gaskets and adjust them as required. Tighten the electrode fixing screws with 2 Nm.



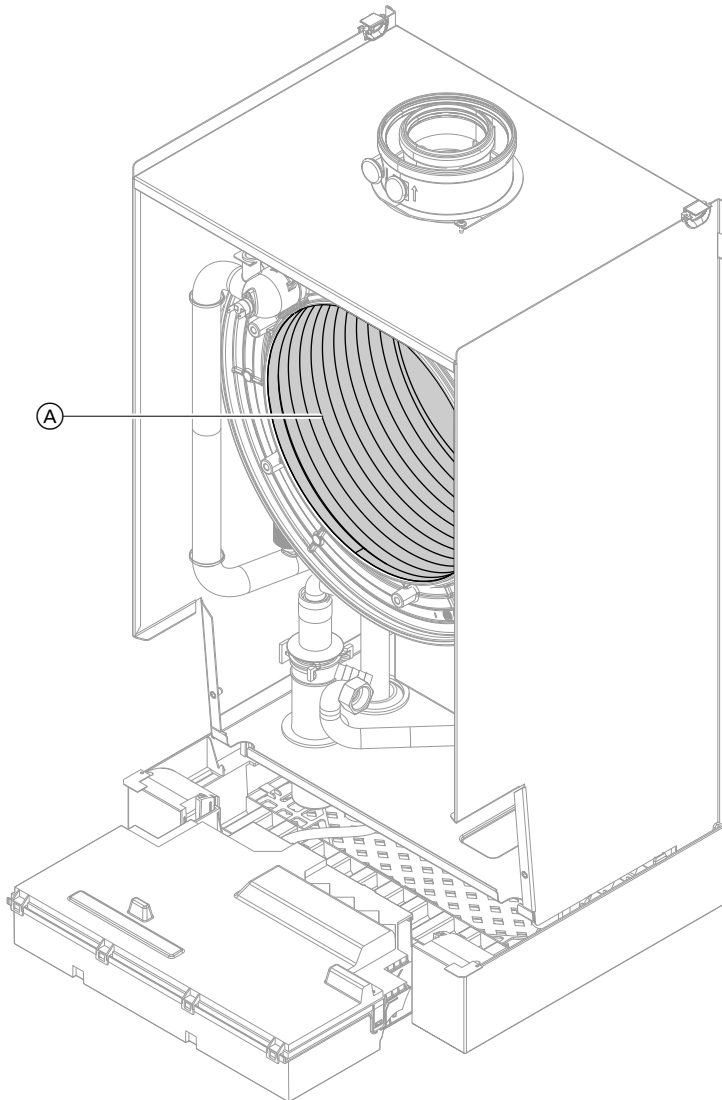
Please note
Do not damage
the wire gauze.

Cleaning the combustion chamber/heat exchanger and installing the burner



Please note
Scratches on parts that are in contact with flue gas can lead to corrosion.
Never use brushes to clean the heat exchanger.

Further details regarding the individual steps (cont.)



1. Use a vacuum cleaner to remove residues from heat exchanger (A) inside the combustion chamber.



Further details regarding the individual steps (cont.)

2. If required, spray slightly acidic, chloride-free cleaning agents based on phosphoric acid (e.g. Antox 75 E) onto heat exchanger (A) and let the solution soak in for approx. 20 min.
3. Thoroughly flush heat exchanger (A) with water.
4. Install the burner and torque screws diagonally with 12 Nm.
5. Fit the gas supply pipe with a new gasket. Torque fittings with 15 Nm.
6. Check the gas connections for tightness.



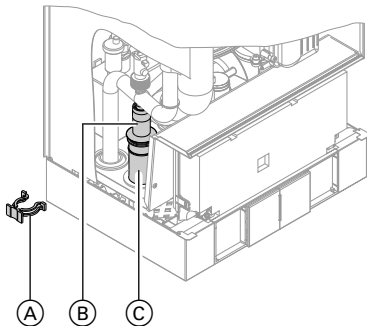
Danger

Escaping gas leads to a risk of explosion.

Check all fittings for gas tightness.

7. Connect the electrical cables/leads to each corresponding component.

Checking the condensate drain and cleaning the siphon



1. Remove retaining clip (A) and pull out insert (B).
2. Clean siphon (C) and check that the condensate can drain off freely.
3. Fill siphon (C) with water and reassemble.

Note

Never twist the supply hose during assembly.

Checking the diaphragm expansion vessel and system pressure

Note

Carry out this test on a cold system.

1. Drain the system or close the cap valve on the diaphragm expansion vessel and reduce the pressure until the pressure gauge indicates "0".
2. If the pre-charge pressure of the diaphragm expansion vessel is lower than the static system pressure, top up with nitrogen until the pre-charge pressure is raised by 0.1 to 0.2 bar.

Further details regarding the individual steps (cont.)

3. Top up your heating system with water until the filling pressure of a cooled system is 0.1 to 0.2 bar higher than the pre-charge pressure of the diaphragm expansion vessel.

Permiss. operating pressure: 4 bar

Checking gas equipment for tightness at operating pressure



Danger

Escaping gas leads to a risk of explosion.

Check gas equipment for tightness.

Note

For the tightness test, use only suitable and approved leak detecting agents (EN 14291) and devices. Leak detecting agents with unsuitable constituents (e.g. nitrites, sulphides) can lead to material damage.

Remove residues of the leak detecting agent after testing.

Flue gas emissions test

The electronic combustion controller automatically ensures an optimum combustion quality. Only the combustion values need to be checked during commissioning and maintenance. For this, check the CO₂ or O₂ content. For a description of the electronic combustion controller functions, see page 132.

Note

Operate the appliance with uncontaminated combustion air to prevent operating faults and damage.

CO₂ or O₂ content

The CO₂ content must be within the following limits (upper and lower output):

- 7.7 to 9.2 % for natural gas E and LL
- 9.3 to 10.9 % for LPG P

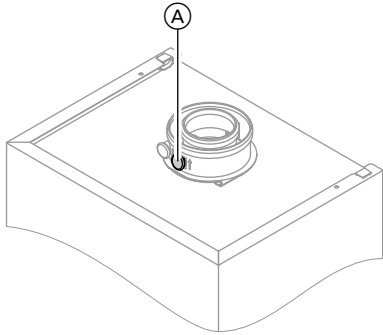
For all gas types, the O₂ content must be between 4.4 and 6.9 %.

If the actual CO₂ or O₂ values lie outside their respective ranges, check the balanced flue system for tightness, see page 18.

Note

During commissioning, the combustion controller carries out an automatic calibration. Only test the emissions approx. 30 s after the burner has started.

Further details regarding the individual steps (cont.)



1. Connect a flue gas analyser at flue gas aperture (A) on the boiler flue connection.
 2. Open the gas shut-off valve, start the boiler and create a heat demand.
 3. Select the lower output (see page 26).
 4. Check the CO₂ content. Should the actual value deviate from the above ranges by more than 1 %, implement steps from page 25.
 5. Enter actual values into the service report.
 6. Select the upper output (see page 26).
 7. Check the CO₂ content. Should the actual value deviate from the above ranges by more than 1 %, implement steps from page 25.
 8. After testing, press **OK**.
 9. Enter actual values into the service report.
- ### Selecting the upper/lower output for weather-compensated control units:
1. Press **OK** and simultaneously for approx. 4 s.
 2. "Actuator test"
 3. Select the lower output:
Select "**Start base load**" and confirm with **OK**.
 4. Select the upper output:
Select "**Start full load**" and confirm with **OK**.
- ### Selecting the upper/lower output for constant temperature control units:
1. Press **OK** and simultaneously for approx. 4 s.
"⌚" flashes on the display.
 2. Select "⌚" and confirm with **OK**.
The display shows "I" and "on" flashes.
 3. Select the lower output:
Press **OK**, "on" will be displayed permanently.
 4. Select the upper output:
Press .
 5. Select "2" with and confirm with **OK**.
 6. Exit output selection with .

Further details regarding the individual steps (cont.)

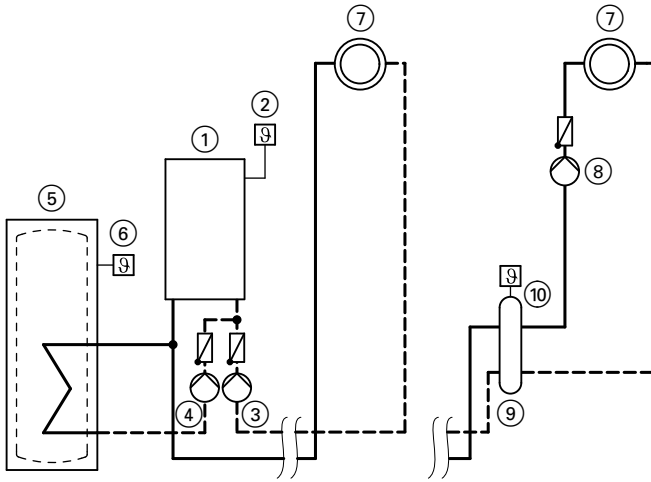
Matching the control unit to the heating system

The control unit must be matched to the equipment level of the system. Various system components are recognised automatically by the control unit and the relevant codes are adjusted automatically.

- For the selection of an appropriate scheme, see the following diagrams.
- For coding steps, see page 41.

System version 1

One heating circuit without mixer A1 with/without DHW heating, with/without low loss header



ID: 4605139_1001_01

- | | |
|---|--|
| ① Vitodens 200-W | ⑤ DHW cylinder |
| ② Outside temperature sensor (only for weather-compensated control units)
or
Vitotrol 100 (only for constant temperature control units) | ⑥ Cylinder temperature sensor |
| ③ Heating circuit pump | ⑦ Heating circuit without mixer A1 (heating circuit 1) |
| ④ Circulation pump for cylinder heating | ⑧ Heating circuit pump A1 |
| | ⑨ Low loss header |
| | ⑩ Flow temperature sensor, low loss header |

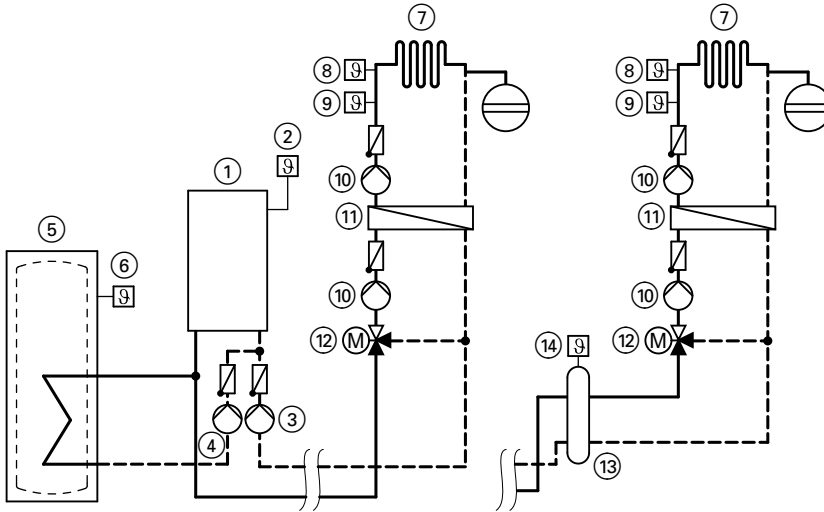
Further details regarding the individual steps (cont.)

Function/system components	Code	
	Adjust	Delivered condition
Operation with LPG	82:1	82:0
System without low loss header and without DHW circulation pump:		
Circulation pump for cylinder heating, connection at internal extension H1 or H2	53:3	53:1
System with low loss header and without DHW circulation pump:		
Heating circuit pump A1 connection at extension AM1, terminal A1	—	33:1
Circulation pump for cylinder heating, connection at extension AM1, terminal A2	34:2	34:0
System with low loss header and with DHW circulation pump:		
Heating circuit pump A1 connection at extension AM1, terminal A1	—	33:1
Circulation pump for cylinder heating, connection at extension AM1, terminal A2	34:2	34:0
DHW circulation pump connection at internal extension H1 or H2	—	53:1

Further details regarding the individual steps (cont.)

System version 2

One heating circuit with mixer M2 with system separation, with/without DHW heating, with/without low loss header



ID: 4605013_1001_01

- | | |
|--|---|
| ① Vitodens 200-W | ⑨ Flow temperature sensor M2 |
| ② Outside temperature sensor | ⑩ Heating circuit pump M2 |
| ③ Boiler circuit pump | ⑪ Heat exchanger for system separation |
| ④ Circulation pump for cylinder heating | ⑫ Extension kit for one heating circuit with mixer M2 |
| ⑤ DHW cylinder | ⑬ Low loss header |
| ⑥ Cylinder temperature sensor | ⑭ Flow temperature sensor, low loss header |
| ⑦ Heating circuit with mixer M2 (heating circuit 2) | |
| ⑧ Temperature limiter for limiting the maximum temperature of underfloor heating systems | |

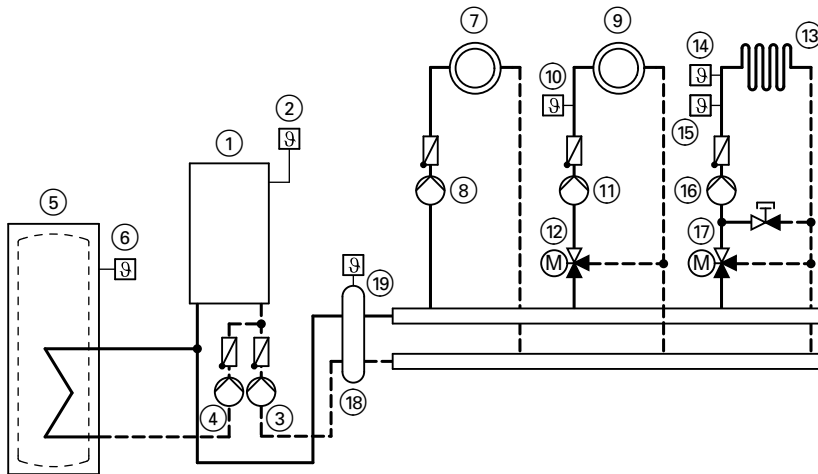
Further details regarding the individual steps (cont.)

Function/system components	Code	
	Adjust	Delivered condition
Operation with LPG	82:1	82:0
System only with one heating circuit with mixer with extension kit for mixer (without unregulated heating circuit)		
■ with DHW cylinder	00:4	00:6
■ without DHW cylinder	00:3	00:5
System without DHW circulation pump		
Circulation pump for cylinder heating, connection at internal extension H1 or H2	53:3	53:1
System with DHW circulation pump		
Circulation pump for cylinder heating, connection at extension AM1, terminal A1	33:2	33:1
DHW circulation pump connection at extension AM1, terminal A2	—	34:0

Further details regarding the individual steps (cont.)

System version 3

One heating circuit without mixer, one heating circuit with mixer M2 (with extension kit), one heating circuit with mixer M3 (with extension kit) and low loss header (with/without DHW heating)



ID: 4605141_1001_01

- | | |
|--|--|
| ① Vitodens 200-W | ⑫ Extension kit for one heating circuit with mixer M2 |
| ② Outside temperature sensor | ⑬ Heating circuit with mixer M3 (heating circuit 3) |
| ③ Boiler circuit pump | ⑭ Temperature limiter for limiting the maximum temperature of underfloor heating systems |
| ④ Circulation pump for cylinder heating | ⑮ Flow temperature sensor M3 |
| ⑤ DHW cylinder | ⑯ Heating circuit pump M3 |
| ⑥ Cylinder temperature sensor | ⑰ Extension kit for one heating circuit with mixer M3 |
| ⑦ Heating circuit without mixer A1 (heating circuit 1) | ⑱ Low loss header |
| ⑧ Heating circuit pump A1 | ⑲ Flow temperature sensor, low loss header |
| ⑨ Heating circuit with mixer M2 (heating circuit 2) | |
| ⑩ Flow temperature sensor M2 | |
| ⑪ Heating circuit pump M2 | |

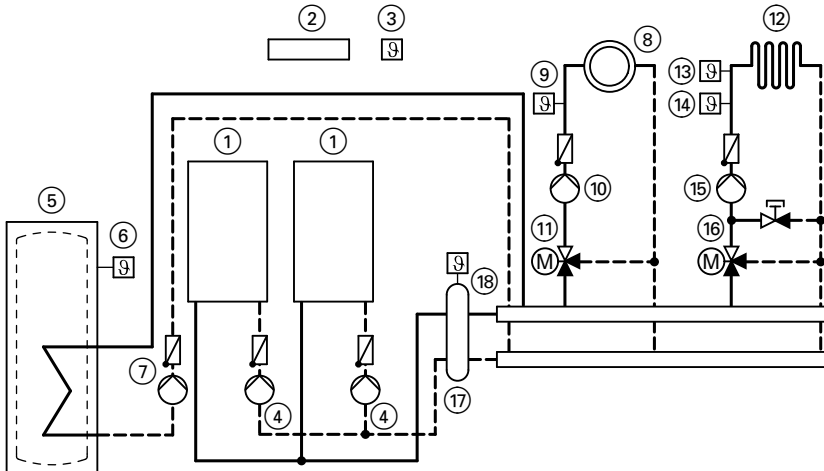
Further details regarding the individual steps (cont.)

Function/system components	Code	
	Adjust	Delivered condition
Operation with LPG	82:1	82:0
System only with two heating circuits with mixer with extension kit for mixer (without unregulated heating circuit)		
■ with DHW cylinder	00:8	00:10
■ without DHW cylinder	00:7	00:9
System without DHW circulation pump		
Heating circuit pump A1 connection at extension AM1, terminal A1	—	33:1
Circulation pump for cylinder heating, connection at extension AM1, terminal A2	34:2	34:0
System with DHW circulation pump		
Heating circuit pump A1 connection at extension AM1, terminal A1	—	33:1
Circulation pump for cylinder heating, connection at extension AM1, terminal A2	34:2	34:0
DHW circulation pump connection at internal extension H1 or H2	—	53:1

Further details regarding the individual steps (cont.)

System version 4

Multi-boiler system with several heating circuits with mixer and low loss header (with/without DHW heating)



ID: 4605016_1001_01

- ① Vitodens 200-W
- ② Vitotronic 300-K
- ③ Outside temperature sensor
- ④ Boiler circuit pump
- ⑤ DHW cylinder
- ⑥ Cylinder temperature sensor
- ⑦ Circulation pump for cylinder heating
- ⑧ Heating circuit with mixer M2 (heating circuit 2)
- ⑨ Flow temperature sensor M2
- ⑩ Heating circuit pump M2
- ⑪ Extension kit for one heating circuit with mixer M2
- ⑫ Heating circuit with mixer M3 (heating circuit 3)
- ⑬ Temperature limiter for limiting the maximum temperature of underfloor heating systems
- ⑭ Flow temperature sensor M3
- ⑮ Heating circuit pump M3
- ⑯ Extension kit for one heating circuit with mixer M3
- ⑰ Low loss header
- ⑱ Flow temperature sensor, low loss header

Required coding	Address
Multi-boiler system with Vitotronic 300-K	01:2

Further details regarding the individual steps (cont.)

Note

Codes for multi-boiler system, see Vitotronic 300-K installation and service instructions

Adjusting the heating curves (only for weather-compensated control units)

The heating curves illustrate the relationship between the outside temperature and the boiler water or flow temperature.

To put it simply, the lower the outside temperature, the higher the boiler water or flow temperature.

The room temperature, again, depends on the boiler water or the flow temperature.

Note

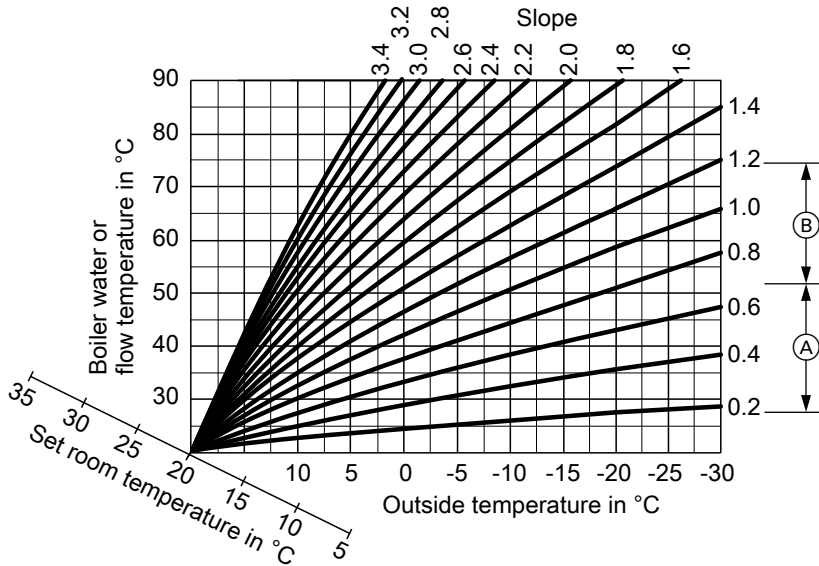
If the heating system includes heating circuits with mixers, then the flow temperature of the heating circuit without mixer is higher by a selected differential (8 K in the delivered condition) than the flow temperature of the heating circuits with mixers.

The differential temperature can be changed at coding address 9F.

Settings in the delivered condition:

- Slope = 1.4
- Level = 0

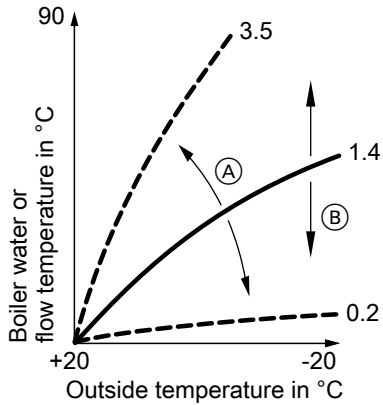
Further details regarding the individual steps (cont.)



- Ⓐ Heating curve slope for underfloor heating systems
- Ⓑ Heating curve slope for low temperature heating systems (according to the Energy Savings Order [Germany])

Further details regarding the individual steps (cont.)

Changing the slope and level



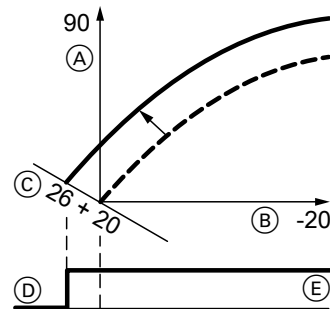
- (A) Changing the slope
- (B) Changing the level (vertical parallel offset of the heating curve)

Extended menu:

- 1.
2. "Heating"
3. Select heating circuit.
4. "Heating curve"
5. "Slope" or "Level"
6. Select heating curve according to the system requirements.

Adjusting the set room temperature

Standard room temperature



Example 1: Adjustment of the standard room temperature from 20 to 26°C

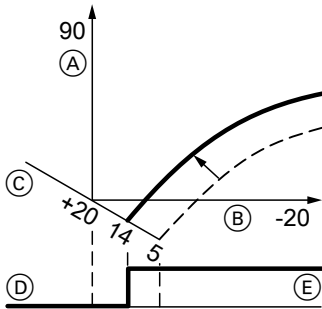
- (A) Boiler water temperature or flow temperature in °C
- (B) Outside temperature in °C
- (C) Set room temperature in °C
- (D) Heating circuit pump "OFF"
- (E) Heating circuit pump "ON"

Adjustment of the standard room temperature:

Operating instructions

Further details regarding the individual steps (cont.)

Reduced room temperature



- (C) Set room temperature in °C
- (D) Heating circuit pump "OFF"
- (E) Heating circuit pump "ON"

Adjustment of the reduced room temperature:



Operating instructions

Example 2: Adjustment of reduced room temperature from 5 °C to 14 °C

- (A) Boiler water temperature or flow temperature in °C
- (B) Outside temperature in °C

Connecting the control unit to the LON system (only for weather-compensated control units)

The LON communication module (accessories) must be plugged in.



Installation instructions
LON communication module

Note

*In the same LON system, the same number **cannot** be allocated twice.*

Only one Vitotronic may be programmed as fault manager.



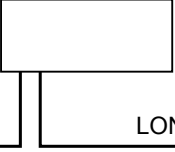
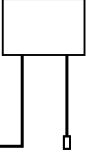
Note

The data transfer via LON can take several minutes.

Single boiler system with Vitotronic 200-H and Vitocom 300 (example)

Set the LON subscriber numbers and further functions via code 2 (see the following table).

Further details regarding the individual steps (cont.)

Boiler control unit	Vitotronic 200-H	Vitotronic 200-H	Vitocom
			
Subscriber no. 1 Code "77:1"	Subscriber no. 10 Code "77:10"	Subscriber no. 11 Set code "77:11"	Subscriber no. 99
Control unit is fault manager Code "79:1"	Control unit is not fault manager Code "79:0"	Control unit is not fault manager Code "79:0"	Device is fault manager
Control unit transmits the time Code "7b:1"	The control unit receives the time Set code "81:3"	The control unit receives the time Set code "81:3"	Device receives the time
Control unit transmits outside temperature Set code "97:2"	The control unit receives the outside temperature Set code "97:1"	The control unit receives the outside temperature Set code "97:1"	—
LON subscriber fault monitoring Code "9C:20"	LON subscriber fault monitoring Code "9C:20"	LON subscriber fault monitoring Code "9C:20"	—

Carrying out a LON subscriber check

Communication with the system devices connected to the fault manager is tested with a subscriber check.


Preconditions:

- The control unit must be programmed as **fault manager** (code "79:1")
- The LON subscriber number must be programmed in all control units (see page 38)
- The LON subscriber list in the fault manager must be up to date (see page 38)

2. "Service functions"

3. "Subscriber check"

Carrying out a subscriber check:

1. Press **OK** and  simultaneously for approx. 4 s.

Further details regarding the individual steps (cont.)

4. Select subscriber (e.g. subscriber 10).
The subscriber check for the selected subscriber is introduced.
- Successfully tested subscribers are designated with **"OK"**.
 - Unsuccessfully tested subscribers are designated with **"Not OK"**.

Note

To carry out a new subscriber check, create a new subscriber list with menu item **"Delete list?"**

Note

If the subscriber check is carried out by another control unit, the subscriber number and **"Wink"** are shown on the display for approx. 1 min.

Scanning and resetting the "Service" display

After the limits specified in coding addresses "21" and "23" have been reached, the red fault indicator flashes and the following appears on the programming unit display:

- On a constant temperature control unit:
The specified hours run or the specified interval with clock symbol "⌚" (subject to setting) and "🔧"
- On a weather-compensated control unit:
"Service" and "🔧"

Scanning and resetting service

Press **OK** to acknowledge a service message.


Note

An acknowledged service message that was not reset reappears:

- On a weather-compensated control unit, on the following Monday.
- On a constant temperature control unit, after seven days.

After a service has been carried out (reset service)

Weather-compensated control unit

1. Press **OK** and  simultaneously for approx. 4 s.
2. **"Service functions"**
3. **"Service reset"**

Note

The selected service parameters for hours run and time interval restart at 0.

Commissioning, inspection, maintenance

Further details regarding the individual steps (cont.)

Constant temperature control unit

Reset code 24:1 to 24:0.

Note

The selected service parameters for hours run and time interval restart at 0.

Instructing the system user

The system installer must hand the operating instructions to the system user and instruct him/her in the operation of the system.


Calling up coding level 1

Calling up coding level 1

Note

- *On weather-compensated control units, codes are displayed as plain text.*
- *Codes that have no function due to the heating system equipment level or the setting of other codes are not displayed.*
- *Heating systems with one heating circuit without mixer and one or two heating circuits with mixer:
The heating circuit without a mixer is designated "Heating circuit 1" and the heating circuits with mixer as "Heating circuit 2" or "Heating circuit 3".
If the heating circuits were given individual designations, the selected designation and "HC1", "HC2" or "HC3" appear instead.*

Weather-compensated control unit:

1. Press **OK** and  simultaneously for approx. 4 s.
2. "Coding level 1"
3. Select group of required coding address:
 - "General"
 - "Boiler"
 - "DHW"
 - "Solar"
 - "Heating circuit 1/2/3"
 - "All cod. or solar"




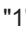




In this group, all coding addresses from coding level 1 (except the coding addresses from the "Solar" group) are displayed in ascending order.

4. Select coding address.
5. Select value according to the following tables and confirm with **OK**.
6. **If you want to reset all codes to their delivered condition:**
Select "**Standard setting**" in "**Coding level 1**".

Note

This also resets codes from coding level 2.

Constant temperature control unit:

1. Press **OK** and  simultaneously for approx. 4 s.
2. With , select "①" for coding level 1 and confirm with **OK**.
"1" flashes on the display for the coding addresses in group 1.
3. Select group of the required coding address with /. For example, "1" for group "General" (see following section):
Confirm selected group with **OK**.
4. Select coding address with /.
5. Select value according to the following tables with / and confirm with **OK**.

Code 1

Calling up coding level 1 (cont.)

- 6. If you want to reset all codes to their delivered condition:**
Select ▶ "⑦" and confirm with **OK**.
When "H" flashes, confirm with **OK**.

Note
This also resets codes from coding level 2.

General/Group "1"

Select "**General**" for weather-compensated control units (see page 41).
Select "**1**" for constant temperature control units (see page 41).

Coding

Coding in the delivered condition		Possible change	
System design			
00:1	System version 1: One heating circuit without mixer (A1), without DHW heating	00:2 to 00:10	For system schemes, see the following table:

Value address 00: ...	System version	Description
2	1	One heating circuit without mixer (heating circuit 1), with DHW heating (code is adjusted automatically)
3	2	One heating circuit with mixer (heating circuit 2), without DHW heating
4	2	One heating circuit with mixer (heating circuit 2), with DHW heating
5	3	One heating circuit without mixer (heating circuit 1) and one heating circuit with mixer (heating circuit 2), without DHW heating (code is adjusted automatically)
6	3	One heating circuit without mixer (heating circuit 1) and one heating circuit with mixer (heating circuit 2), with DHW heating (code is adjusted automatically)
7	3	One heating circuit with mixer (heating circuit 2) and one heating circuit with mixer (heating circuit 3), without DHW heating
8	3	One heating circuit with mixer (heating circuit 2) and one heating circuit with mixer (heating circuit 3), with DHW heating

General/Group "1" (cont.)

Value address 00: ...	System version	Description
9	3	One heating circuit without mixer (heating circuit 1), one heating circuit with mixer (heating circuit 2) and one heating circuit with mixer (heating circuit 3), without DHW heating (code is adjusted automatically)
10	3	One heating circuit without mixer (heating circuit 1), one heating circuit with mixer (heating circuit 2) and one heating circuit with mixer (heating circuit 3), with DHW heating (code is adjusted automatically)

Coding in the delivered condition		Possible change	
Internal circulation pump function			
51:0	Internal circulation pump always starts when there is a heat demand	51:1	System with low loss header: When there is a heat demand, the internal circulation pump only starts when the burner is operational (with pump run-on).
		51:2	System with heating water buffer cylinder: When there is a heat demand, the internal circulation pump only starts when the burner is operational (with pump run-on).

Subscriber no.			
77:1	LON subscriber number (only for weather-compensated control units)	77:2 to 77:99	LON subscriber number, adjustable from 1 to 99: 1 - 4 = Boiler 5 = Cascade 10 - 98 = Vitotronic 200-H 99 = Vitocom Note <i>Allocate each number only once.</i>

Code 1

General/Group "1" (cont.)

Coding in the delivered condition		Possible change	
Detached house/apartment building			
7F:1	Detached house (only for weather-compensated control units)	7F:0	Apartment building Separate adjustment of holiday program and time program for DHW heating, as option
Lock out controls			
8F:0	All control elements active	8F:1	All control elements locked out
		8F:2	Only standard settings can be controlled
Set flow temperature for ext. demand			
9b:70	Set flow temperature in case of external demand 70 °C	9b:0 to 9b:127	Set flow temperature for external demand adjustable from 0 to 127 °C (limited by boiler-specific parameters)

Boiler/Group "2"

Select **"Boiler"** for weather-compensated control units (see page 41).
Select **"2"** for constant temperature control units (see page 41).

Coding

Coding in the delivered condition		Possible change	
Single/multi-boiler system			
01:1	Single boiler system (only for constant temperature control units)	01:2	Multi-boiler system with Vitotronic 300-K
Burner service in 100 hours			
21:0	No service interval (hours run) selected	21:1 to 21:100	The number of hours run before the burner should be serviced is adjustable from 100 to 10,000 h One adjusting step ≙ 100 h

Boiler/Group "2" (cont.)

Coding in the delivered condition		Possible change	
Service interval in months			
23:0	No time interval for burner service	23:1 to 23:24	Interval adjustable from 1 to 24 months
Service status			
24:0	No "Service" display	24:1	"Service" display (the address is automatically set and must be manually reset after a service has been carried out)
Filling/Venting			
2F:0	Venting program/fill program disabled	2F:1	Venting program enabled
		2F:2	Fill program enabled

DHW/Group "3"

Select **"DHW"** for weather-compensated control units (see page 41).
 Select **"3"** for constant temperature control units (see page 41).

Coding

Coding in the delivered condition		Possible change	
Set DHW temp reheat suppression			
67:40	For solar DHW heating: Set DHW temperature 40 °C. Reheating is suppressed above the selected set temperature (DHW heating blocked by the boiler). Cannot be adjusted on gas condensing combi boilers.	67:0 to 67:95	Set DHW temperature adjustable from 0 to 95 °C (limited by boiler-specific parameters)
Enable DHW circulation pump			
73:0	DHW circulation pump: "ON" in accordance with the time program (only for weather-compensated control units)	73:1 to 73:6	"ON" from once per hour for 5 min up to 6 times per hour for 5 min during the time program
		73:7	Constantly "ON"

Code 1

Solar/Group "4"

Select **"Solar"** for weather-compensated control units (see page 41).

Select **"4"** for constant temperature control units (see page 41).

Note

The solar group is only displayed if a solar control module, type SM1, is connected.

Coding

Coding in the delivered condition		Possible change	
Speed control collector pump			
02:0	Solar circuit pump is not speed-controlled	02:1	Solar circuit pump is speed-controlled with wave pack control
		02:2	Solar circuit pump is speed-controlled with PWM control
Cylinder maximum temperature			
08:60	The solar circuit pump will stop when the actual cylinder temperature reaches 60 °C (maximum cylinder temperature).	08:10 to 08:90	The maximum cylinder temperature is adjustable from 10 to 90 °C.
Reducing stagnation time			
0A:5	To protect the system components and heat transfer medium, the speed of the solar circuit pump is reduced when the differential between the actual cylinder temperature and set cylinder temperature is less than 5 K.	0A:0 to 0A:40	The differential between the set cylinder temperature and the start point for reducing the stagnation time can be adjusted from 0 to 40 K.
Nominal flow rate			
0F:70	The flow rate in the collector circuit at the maximum pump speed is set to 7 l/min.	0F:1 to 0F:255	Flow rate in the collector circuit adjustable from 0.1 to 25.5 l/min

Solar/Group "4" (cont.)

Coding in the delivered condition		Possible change	
Extended control functions			
20:0	No extended control functions enabled	20:1	Auxiliary function for DHW heating
		20:2	Differential temperature control 2
		20:3	Differential temperature control 2 and auxiliary function
		20:4	Differential temperature control 2 for central heating backup
		20:5	Thermostat function
		20:6	Thermostat function and auxiliary function
		20:7	Solar heating via external heat exchanger without additional temperature sensor
		20:8	Solar heating via external heat exchanger with additional temperature sensor
		20:9	Solar heating of two DHW cylinders

Heating circuit 1, heating circuit 2, heating circuit 3/Group "5"

Select **"Heating circuit ..."** for weather-compensated control units (see page 41).
 Select **"5"** for constant temperature control units (see page 41).

Heating circuit 1, heating circuit 2, heating... (cont.)

Coding

Coding in the delivered condition		Possible change	
DHW priority			
A2:2	Cylinder priority applicable to heating circuit pump and mixer	A2:0	Without cylinder priority applicable to heating circuit pump and mixer
		A2:1	Cylinder priority only applicable to mixer
		A2:3 to A2:15	Reduced priority applied to mixer (the heating circuit receives a reduced amount of energy)

Summer eco function outside temperature

A5:5	With heating circuit pump logic function (economy circuit): Heating circuit pump "OFF" when the outside temperature (AT) is 1 K higher than the set room temperature (RT_{set}) $AT > RT_{set} + 1 \text{ K}$ (only for weather-compensated control units)	A5:0	Without heating circuit pump logic function
		A5:1 to A5:15	With heating circuit pump logic function: Heating circuit pump "OFF" (see the following table)

Parameter address	With heating circuit pump logic function: Heating circuit pump "OFF"
A5:...	
1	$AT > RT_{set} + 5 \text{ K}$
2	$AT > RT_{set} + 4 \text{ K}$
3	$AT > RT_{set} + 3 \text{ K}$
4	$AT > RT_{set} + 2 \text{ K}$
5	$AT > RT_{set} + 1 \text{ K}$
6	$AT > RT_{set}$
7	$AT > RT_{set} - 1 \text{ K}$
to	
15	$AT > RT_{set} - 9 \text{ K}$

Heating circuit 1, heating circuit 2, heating... (cont.)

Coding in the delivered condition		Possible change	
Summer eco function absolute			
A6:36	Extended economy function disabled (only for weather-compensated control units)	A6:5 to A6:35	Extended economy control enabled, i.e. the burner and heating circuit pump will be switched OFF and the mixer closed at a variable adjustable value between 5 and 35 °C plus 1 °C. Base value is the adjusted outside temperature. This value is based on the actual outside temperature and a time constant that takes the cooling down of an average building into consideration.
Mixer eco function			
A7:0	Without mixer economy function (only for a weather-compensated control unit and heating circuit with mixer)	A7:1	With mixer economy function (extended heating circuit pump logic): Heating circuit pump also "OFF": <ul style="list-style-type: none"> ■ If a mixer has been closed for longer than 20 min. Heating pump "ON": <ul style="list-style-type: none"> ■ If the mixer changes to control function ■ If there is a risk of frost
Pump idle time, transition red. mode			
A9:7	With pump idle time: Heating circuit pump "OFF" if the set value changes through a change in operating mode or through a change in the set room temperature (only for weather-compensated control units)	A9:0 A9:1 to A9:15	Without pump idle time With pump idle time; adjustable from 1 to 15



Heating circuit 1, heating circuit 2, heating... (cont.)

Coding in the delivered condition		Possible change	
Weather-compensated/room temperature hook-up			
b0:0	With remote control: Heating mode/reduced mode: Weather-compensated (only for weather-compensated control units; change the code only for the heating circuit with mixer)	b0:1	Heating mode: Weather-compensated Reduced mode: With room temperature hook-up
		b0:2	Heating mode: With room temperature hook-up Reduced mode: Weather-compensated
		b0:3	Heating mode/reduced mode: With room temperature hook-up
Summer eco function room temperature			
b5:0	With remote control: No room temperature-dependent heating circuit pump logic function (only for weather-compensated control units; change the code only for the heating circuit with mixer)	b5:1 to b5:8	Heating circuit pump logic function, see the following table:

Parameter address b5:...	With heating circuit pump logic function:	
	Heating circuit pump "OFF"	Heating circuit pump "ON"
1	$RT_{actual} > RT_{set} + 5 \text{ K}$	$RT_{actual} < RT_{set} + 4 \text{ K}$
2	$RT_{actual} > RT_{set} + 4 \text{ K}$	$RT_{actual} < RT_{set} + 3 \text{ K}$
3	$RT_{actual} > RT_{set} + 3 \text{ K}$	$RT_{actual} < RT_{set} + 2 \text{ K}$
4	$RT_{actual} > RT_{set} + 2 \text{ K}$	$RT_{actual} < RT_{set} + 1 \text{ K}$
5	$RT_{actual} > RT_{set} + 1 \text{ K}$	$RT_{actual} < RT_{set}$
6	$RT_{actual} > RT_{set}$	$RT_{actual} < RT_{set} - 1 \text{ K}$
7	$RT_{actual} > RT_{set} - 1 \text{ K}$	$RT_{actual} < RT_{set} - 2 \text{ K}$
8	$RT_{actual} > RT_{set} - 2 \text{ K}$	$RT_{actual} < RT_{set} - 3 \text{ K}$

Coding in the delivered condition		Possible change	
Flow temperature minimum limit			
C5:20	Electronic minimum flow temperature limit 20 °C (only for weather-compensated control units)	C5:1 to C5:127	Minimum limit adjustable from 1 to 127 °C (limited by boiler-specific parameters)

Heating circuit 1, heating circuit 2, heating... (cont.)

Coding in the delivered condition		Possible change	
Flow temperature maximum limit			
C6:74	Electronic maximum flow temperature limited to 74 °C (only for weather-compensated control units)	C6:10 to C6:127	Maximum limit adjustable from 10 to 127 °C (limited by boiler-specific parameters)
Heating program - changeover			
d5:0	The external heating program changeover changes the heating program to "Constant operation with reduced room temperature" or "Standby mode" (only for weather-compensated control units)	d5:1	The external heating program changeover changes to "Constant operation with standard room temperature" (independent of coding address 3A, 3b and 3C)
Ext. heating program changeover to heating circuit			
d8:0	No heating program changeover via extension EA1	d8:1	Heating program changeover via input DE1 at extension EA1
		d8:2	Heating program changeover via input DE2 at extension EA1
		d8:3	Heating program changeover via input DE3 at extension EA1
Max. pump speed in standard mode			
E6:...	Maximum speed of the variable speed heating circuit pump in % of the max. speed in standard mode. Value is defaulted by boiler-specific parameters (only for weather-compensated control units).	E6:0 to E6:100	Maximum speed adjustable from 0 to 100 %



Heating circuit 1, heating circuit 2, heating... (cont.)

Coding in the delivered condition		Possible change	
Min. pump speed			
E7:30	Minimum speed of the variable speed heating circuit pump: 30 % of the maximum speed (only for weather-compensated control units)	E7:0 to E7:100	Minimum speed adjustable from 0 to 100 % of the maximum speed
Screed function			
F1:0	Screed drying function disabled (only for weather-compensated control units)	F1:1 to F1:6	Screed drying function adjustable in accordance with 6 optional temperature/time profiles (see page 127)
		F1:15	Constant flow temperature 20 °C
Party mode time limit			
F2:8	Time limit for party mode or external heating program changeover via key: 8 h (only for weather-compensated control units) ^{*1}	F2:0	No time limit for party mode ^{*1}
		F2:1 to F2:12	Time limit adjustable from 1 to 12h ^{*1}
Pump control in "Only DHW"			
F6:25	In the "DHW only" operating mode, the circulation pump in the heating circuit connection set is permanently ON (only for constant temperature control units)	F6:0	In the "DHW only" operating mode, the circulation pump in the heating circuit connection set is permanently OFF
		F6:1 to F6:24	In the "DHW only" operating mode, the circulation pump in the heating circuit connection set will be started 1 to 24 times per day for 10 min respectively

^{*1} Party mode ends **automatically** in the "Heating and DHW" program, when the system changes over to operation with standard room temperature.

Heating circuit 1, heating circuit 2, heating... (cont.)

Coding in the delivered condition		Possible change	
Pump control in "Standby mode"			
F7:25	In the "Standby" operating mode, the circulation pump in the heating circuit connection set is permanently ON (only for constant temperature control units)	F7:0	In the "Standby" operating mode, the circulation pump in the heating circuit connection set is permanently OFF
		F7:1 to F7:24	In the "Standby" operating mode, the circulation pump in the heating circuit connection set will be started 1 to 24 times per day for 10 min respectively
Start temperature raising			
F8:-5	Temperature limit for terminating the reduced mode -5 °C, see example on page 130. Observe the setting of coding address "A3" (only for weather-compensated control units)	F8:+10 to F8:-60	Temperature limit adjustable from +10 to -60 °C
		F8:-61	Function disabled
End temperature raising			
F9:-14	Temperature limit for raising the reduced set room temp. -14 °C, see example on page 130 (only for weather-compensated control units)	F9:+10 to F9:-60	Temperature limit for raising the set room temperature to the value selected for standard mode adjustable from +10 to -60 °C
Increase set flow temperature			
FA:20	Raising the set boiler water temperature or the set flow temperature when changing from operation with reduced room temperature to operation with standard room temperature, by 20 %. See example on page 131 (only for weather-compensated control units)	FA:0 to FA:50	Temperature rise adjustable from 0 to 50 %



Code 1

Heating circuit 1, heating circuit 2, heating... (cont.)

Coding in the delivered condition		Possible change	
Duration set flow temperature increase			
Fb:30	Duration for raising the set boiler water temperature or the set flow temperature (see coding address "FA") 60 min. See example on page 131 (only for weather-compensated control units)	Fb:0 to Fb:150	Duration adjustable from 0 to 300 min; one step $\hat{=}$ 2 min



Calling up coding level 2

Calling up coding level 2

Note

- In coding level 2, all codes are accessible, including the codes from coding level 1.
- Codes that have no function due to the heating system equipment level or the setting of other codes are not displayed.
- Heating systems with one heating circuit without mixer and one or two heating circuits with mixer:
The heating circuit without a mixer is designated **"Heating circuit 1"** and the heating circuits with mixer as **"Heating circuit 2"** or **"Heating circuit 3"**.
If the heating circuits were given individual designations, the selected designation and **"HC1"**, **"HC2"** or **"HC3"** appear instead.

Weather-compensated control unit:

1. Press **OK** and  simultaneously for approx. 4 s.
2. Press **OK** and  simultaneously for approx. 4 s.
3. **"Coding level 2"**

4. Select group of required coding address:

- **"General"**
- **"Boiler"**
- **"DHW"**
- **"Solar"**
- **"Heating circuit 1/2/3"**
- **"All cod. or solar"**




In this group, all coding addresses (except the coding addresses from the **"Solar"** group) are displayed in ascending order.

5. Select coding address.
6. Select value according to the following tables and confirm with **"OK"**.
7. **If you want to reset all codes to their delivered condition:**
Select **"Standard setting"** in **"Coding level 2"**.

Note

This also resets codes from coding level 1.

Constant temperature control unit:

1. Press **OK** and  simultaneously for approx. 4 s.
2. Press **OK** and  simultaneously for approx. 4 s.
3. With , select **"②"** for coding level 2 and confirm with **OK**.
"I" flashes on the display for the coding addresses in group 1.

Calling up coding level 2 (cont.)

4. Select group of the required coding address with ▲/▼. For example, "1" for group "General" (see following section):
Confirm selected group with **OK**.
5. Select coding address with ▲/▼.
6. Select value according to the following tables with ▲/▼ and confirm with **OK**.
7. **If you want to reset all codes to their delivered condition:**
Select ▶ "⑦" and confirm with **OK**.
When "H" flashes, confirm with **OK**.

Note

This also resets codes from coding level 1.

General/Group "1"

Select "**General**" for weather-compensated control units (see page 55).

Select "**1**" for constant temperature control units (see page 55).

Coding

Coding in the delivered condition		Possible change	
00:1	System version 1: One heating circuit without mixer (A1), without DHW heating	00:2 to 00:10	For system schemes, see the following table:

Value address 00: ...	System version	Description
2	1	One heating circuit without mixer (heating circuit 1), with DHW heating (code is adjusted automatically)
3	2	One heating circuit with mixer (heating circuit 2), without DHW heating
4	2	One heating circuit with mixer (heating circuit 2), with DHW heating
5	3	One heating circuit without mixer (heating circuit 1) and one heating circuit with mixer (heating circuit 2), without DHW heating (code is adjusted automatically)
6	3	One heating circuit without mixer (heating circuit 1) and one heating circuit with mixer (heating circuit 2), with DHW heating (code is adjusted automatically)

General/Group "1" (cont.)

Value address 00: ...	System version	Description
7	3	One heating circuit with mixer (heating circuit 2) and one heating circuit with mixer (heating circuit 3), without DHW heating
8	3	One heating circuit with mixer (heating circuit 2) and one heating circuit with mixer (heating circuit 3), with DHW heating
9	3	One heating circuit without mixer (heating circuit 1), one heating circuit with mixer (heating circuit 2) and one heating circuit with mixer (heating circuit 3), without DHW heating (code is adjusted automatically)
10	3	One heating circuit without mixer (heating circuit 1), one heating circuit with mixer (heating circuit 2) and one heating circuit with mixer (heating circuit 3), with DHW heating (code is adjusted automatically)

Coding in the delivered condition		Possible change	
11:≠9	No access to the coding addresses for the combustion controller parameters	11:9	Access open to the coding addresses for the combustion controller parameters
25:0	Without outside temperature sensor (for constant temperature control units)	25:1	With outside temperature sensor (automatic recognition)
32:0	Without extension AM1	32:1	With extension AM1 (automatic recognition)
33:1	Function output A1 at extension AM1: Heating circuit pump	33:0	Function output A1: DHW circulation pump
		33:2	Function output A1: Circulation pump for cylinder heating
34:0	Function output A2 at extension AM1: DHW circulation pump	34:1	Function output A2: Heating circuit pump
		34:2	Function output A2: Circulation pump for cylinder heating
35:0	Without extension EA1	35:1	With extension EA1 (automatic recognition)

General/Group "1" (cont.)

Coding in the delivered condition		Possible change	
36:0	Function output 157 at extension EA1: Fault message	36:1	Function output 157 : Feed pump
		36:2	Function output 157 : DHW circulation pump
3A:0	Function input DE1 at extension EA1: No function	3A:1	Function input DE1: Heating program changeover
		3A:2	Function input DE1: External demand with set flow temperature. Function internal circulation pump: Coding address 3F
		3A:3	Function input DE1: External blocking. Function internal circulation pump: Coding address 3E
		3A:4	Function input DE1: External blocking with fault message input Function internal circulation pump: Coding address 3E
		3A:5	Function input DE1: Fault message input
		3A:6	Function input DE1: Brief operation, DHW circulation pump (pushbutton function). DHW circulation pump runtime adjustment: Coding address 3d

General/Group "1" (cont.)

Coding in the delivered condition		Possible change	
3b:0	Function input DE2 at extension EA1: No function	3b:1	Function input DE2: Heating program changeover
		3b:2	Function input DE2: External demand with set flow temperature. Function internal circulation pump: Coding address 3F
		3b:3	Function input DE2: External blocking. Function internal circulation pump: Coding address 3E
		3b:4	Function input DE2: External blocking with fault message input Function internal circulation pump: Coding address 3E
		3b:5	Function input DE2: Fault message input
		3b:6	Function input DE2: Brief operation, DHW circulation pump (pushbutton function). DHW circulation pump runtime adjustment: Coding address 3d



General/Group "1" (cont.)

Coding in the delivered condition		Possible change	
3C:0	Function input DE3 at extension EA1: No function	3C:1	Function input DE3: Heating program changeover
		3C:2	Function input DE3: External demand with set flow temperature. Function internal circulation pump: Coding address 3F
		3C:3	Function input DE3: External blocking. Function internal circulation pump: Coding address 3E
		3C:4	Function input DE3: External blocking with fault message input Function internal circulation pump: Coding address 3E
		3C:5	Function input DE3: Fault message input
		3C:6	Function input DE3: Brief operation, DHW circulation pump (pushbutton function). DHW circulation pump runtime adjustment: Coding address 3d
3d:5	DHW circulation pump runtime for brief operation: 5 min	3d:1 to 3d:60	DHW circulation pump runtime adjustable from 1 to 60 min
3E:0	Internal circulation pump stays in control mode at signal "External blocking"	3E:1	Internal circulation pump stops at signal "External blocking"
		3E:2	Internal circulation pump starts at signal "External blocking"

General/Group "1" (cont.)

Coding in the delivered condition		Possible change	
3F:0	Internal circulation pump stays in control mode at signal "External demand"	3F:1	Internal circulation pump stops at signal "External demand"
		3F:2	Internal circulation pump starts at signal "External demand"
51:0	Internal circulation pump always starts when there is a heat demand	51:1	System with low loss header: When there is a heat demand, the internal circulation pump only starts when the burner is operational (with pump run-on).
		51:2	System with heating water buffer cylinder: When there is a heat demand, the internal circulation pump only starts when the burner is operational (with pump run-on).
52:0	Without flow temperature sensor for low loss header	52:1	With flow temperature sensor for low loss header (automatic recognition)
53:1	Function connection 28 of the internal extension: DHW circulation pump	53:0	Function connection 28 : Central fault
		53:2	Function connection 28 : External heating circuit pump (heating circuit 1)
		53:3	Function connection 28 : External circulation pump for cylinder heating



General/Group "1" (cont.)

Coding in the delivered condition		Possible change	
54:0	Without solar thermal system	54:1	With Vitosolic 100 (automatic recognition)
		54:2	With Vitosolic 200 (automatic recognition)
		54:3	With solar control module SM1 without auxiliary function (automatic recognition)
		54:4	With solar control module SM1 with auxiliary function, e.g. central heating backup (automatic recognition)
6E:50	Do not adjust		
76:0	Without LON communication module (only for weather-compensated control units)	76:1	With LON communication module (automatic recognition)
77:1	LON subscriber number (only for weather-compensated control units)	77:2 to 77:99	LON subscriber number, adjustable from 1 to 99: 1 - 4 = Boiler 5 = Cascade 10 - 98 = Vitotronic 200-H 99 = Vitocom Note <i>Allocate each number only once.</i>
79:1	With LON communication module: Control unit is fault manager (only for weather-compensated control units)	79:0	Control unit is not fault manager
7b:1	With LON communication module: The control unit transmits the time (only for weather-compensated control units)	7b:0	Does not transmit time

General/Group "1" (cont.)

Coding in the delivered condition		Possible change	
7F:1	Detached house (only for weather-compensated control units)	7F:0	Apartment building Separate adjustment of holiday program and time program for DHW heating, as option
80:6	A fault message is displayed, providing a fault is active for at least 30 s	80:0	Immediate fault message
		80:2 to 80:199	The minimum fault duration before a fault message is issued is adjustable from 10 s to 995 s; one step $\hat{=}$ 5 s
81:1	Automatic summer/winter time changeover	81:0	Manual summer/winter time changeover
		81:2	Use of the radio clock receiver (automatic recognition)
		81:3	With LON communication module: The control unit receives the time
82:0	Operation with natural gas	82:1	Operation with LPG (only adjustable if coding address 11:9 has been set)
86:0	Do not adjust		
87:0	Do not adjust		
88:0	Temperature displayed in °C (Celsius)	88:1	Temperature displayed in °F (Fahrenheit)
8A:175	Do not adjust!		
8F:0	All control elements active	8F:1	All control elements locked out
		8F:2	Only standard settings can be controlled
90:128	Time constant for calculating the adjusted outside temperature 21.3 h	90:1 to 90:199	Fast (low values) or slow (high values) matching of the flow temperature, subject to the set value when the outside temperature changes; 1 step $\hat{=}$ 10 min

General/Group "1" (cont.)

Coding in the delivered condition		Possible change	
94:0	Without Open Therm extension	94:1	With Open Therm extension (automatic recognition)
95:0	Without Vitocom 100 communication interface	95:1	With Vitocom 100 communication interface (automatic recognition)
97:0	With LON communication module: The outside temperature of the sensor connected to the control unit is utilised internally (only for weather-compensated control units)	97:1	The control unit receives the outside temperature
		97:2	The control unit transmits the outside temperature to the Vitotronic 200-H
98:1	Viessmann system number (in conjunction with monitoring several systems via Vitocom 300)	98:1 to 98:5	System number adjustable from 1 to 5
9b:70	Set flow temperature in case of external demand 70 °C	9b:0 to 9b:127	Set flow temperature for external demand adjustable from 0 to 127 °C (limited by boiler-specific parameters)
9C:20	Monitoring LON subscribers. If a subscriber fails to respond, the values specified inside the control unit will be used after 20 min. Only then will a fault message be issued. (only for weather-compensated control units)	9C:0	No monitoring
		9C:5 to 9C:60	The time is adjustable from 5 to 60 min
9F:8	Differential temperature 8 K; only in conjunction with the mixer circuit (only for weather-compensated control units)	9F:0 to 9F:40	Differential temperature adjustable from 0 to 40 K

Boiler/Group "2"

Select **"Boiler"** for weather-compensated control units (see page 55).

Select **"2"** for constant temperature control units (see page 55).

Coding

Coding in the delivered condition		Possible change	
01:1	Single boiler system (only for constant temperature control units)	01:2	Multi-boiler system with Vitotronic 300-K
04:1	Minimum burner pause subject to the boiler load (specified by boiler coding card)	04:0	Minimum burner pause set permanently (specified by boiler coding card)
06:...	Maximum limit of the boiler water temperature, defaulted in °C by the boiler coding card	06:20 to 06:127	Maximum limit of the boiler water temperature within the ranges specified by the boiler
0d:0	Do not adjust		
0E:0	Do not adjust		
13:1	Do not adjust		
14:1	Do not adjust		
15:1	Do not adjust		
21:0	No service interval (hours run) selected	21:1 to 21:100	The number of hours run before the burner should be serviced is adjustable from 100 to 10,000 h One adjusting step \triangleq 100 h
23:0	No time interval for burner service	23:1 to 23:24	Interval adjustable from 1 to 24 months
24:0	No "Service" display	24:1	"Service" display (the address is automatically set and must be manually reset after a service has been carried out)
28:0	No burner interval ignition	28:1 to 28:24	Time interval adjustable from 1 to 24 h. The burner is force-started once every 30 s (only when operating with LPG)

Code 2

Boiler/Group "2" (cont.)

Coding in the delivered condition		Possible change	
2E:0	Without external extension H1 or H2	2E:1	With external extension H1 or H2 (automatic recognition)
2F:0	Venting program/fill program disabled	2F:1	Venting program enabled
		2F:2	Fill program enabled
30:1	Internal variable speed circulation pump (automatic adjustment)	30:0	Internal circulation pump without variable speed (e.g. temporarily for service)
31:...	Set speed in % of the internal circulation pump when operated as boiler circuit pump, specified by the boiler coding card	31:0 to 31:100	Set speed adjustable from 0 to 100 %
38:0	Status burner control unit: Operational (no fault)	38:≠0	Status burner control unit: Fault

DHW/Group "3"

Select **"DHW"** for weather-compensated control units (see page 55).
Select **"3"** for constant temperature control units (see page 55).

DHW/Group "3" (cont.)

Coding

Coding in the delivered condition		Possible change	
56:0	Set DHW temperature adjustable from 10 to 60 °C	56:1	Set DHW temperature adjustable from 10 to above 60 °C Note <i>Maximum value subject to boiler coding card. Observe the max. permissible DHW temperature.</i>
58:0	Without auxiliary function for DHW heating	58:10 to 58:60	Input of a second set DHW temperature, adjustable from 10 to 60 °C (observe coding addresses "56" and "63")
59:0	Cylinder heating: Starting point -2.5 K Stopping point +2.5 K	59:1 to 59:10	Starting point adjustable from 1 to 10 K below the set value
5b:0	DHW cylinder directly connected to the boiler	5b:1	DHW cylinder connected downstream of the low loss header
5E:0	Circulation pump for cylinder heating (connection at extension AM1) stays in control mode at signal "External blocking"	5E:1	Circulation pump for cylinder heating stops at signal "External blocking"
		5E:2	Circulation pump for cylinder heating starts at signal "External blocking"
5F:0	Circulation pump for cylinder heating (connection at extension AM1) stays in control mode at signal "External demand"	5F:1	Circulation pump for cylinder heating stops at signal "External demand"
		5F:2	Circulation pump for cylinder heating starts at signal "External demand"
60:20	During DHW heating, the boiler water temperature is max. 20 K higher than the set DHW temperature	60:5 to 60:25	The difference between the boiler water temperature and the set DHW temperature is adjustable from 5 to 25 K

DHW/Group "3" (cont.)

Coding in the delivered condition		Possible change	
62:2	Circulation pump with 2 min run-on time after cylinder heating	62:0	Circulation pump without run-on
		62:1 to 62:15	Run-on time adjustable from 1 to 15 min
63:0	Without auxiliary function for DHW heating (only for constant temperature control units)	63:1	Auxiliary function: 1 x daily
		63:2 to 63:14	Every 2 days to every 14 days
		63:15	2 x daily
65:0	Do not adjust!		
67:40	For solar DHW heating: Set DHW temperature 40 °C. Reheating is suppressed above the selected set temperature (DHW heating blocked by the boiler).	67:0 to 67:95	Set DHW temperature adjustable from 0 to 95 °C (limited by boiler-specific parameters)
6C:100	Set speed; internal circulation pump with DHW heating 100 %	6C:0 to 6C:100	Set speed adjustable from 0 to 100 %
6F:...	Maximum output for DHW heating in %, specified by the boiler coding card	6F:0 to 6F:100	Max. output during DHW heating adjustable from min. output to 100 %
71:0	DHW circulation pump: "ON" in accordance with the time program (only for weather-compensated control units)	71:1	"OFF" during DHW heating to the first set value
		71:2	"ON" during DHW heating to the first set value
72:0	DHW circulation pump: "ON" in accordance with the time program (only for weather-compensated control units)	72:1	"OFF" during DHW heating to the second set value
		72:2	"ON" during DHW heating to the second set value
73:0	DHW circulation pump: "ON" in accordance with the time program (only for weather-compensated control units)	73:1 to 73:6	"ON" from once per hour for 5 min up to 6 times per hour for 5 min during the time program
		73:7	Constantly "ON"

Solar/Group "4"

Select **"Solar"** for weather-compensated control units (see page 55).
Select **"4"** for constant temperature control units (see page 55).

Note

The solar group is only displayed if a solar control module, type SM1, is connected.

Coding

Coding in the delivered condition		Possible change	
00:8	The solar circuit pump starts when the collector temperature exceeds the actual cylinder temperature by 8 K.	00:2 to 00:30	The differential between the actual cylinder temperature and the start point for the solar circuit pump can be adjusted from 2 to 30 K.
01:4	The solar circuit pump stops when the differential between the collector temperature and the actual cylinder temperature is less than 4 K.	01:1 to 01:29	The differential between the actual cylinder temperature and the stop point for the solar circuit pump can be adjusted from 1 to 29 K.
02:0	Solar circuit pump is not speed-controlled	02:1	Solar circuit pump is speed-controlled with wave pack control
		02:2	Solar circuit pump is speed-controlled with PWM control
03:10	The temperature differential between the collector temperature and actual cylinder temperature is regulated to 10 K.	03:5 to 03:20	The differential temperature control between collector temperature and actual cylinder temperature can be adjusted from 5 to 20 K
04:5	Controller amplification of the speed control 5 %/K.	04:1 to 04:10	Controller amplification adjustable from 1 to 10 %/K
05:10	Minimum speed of the solar circuit pump 10 % of the maximum speed	05:1 to 05:100	Minimum speed of the solar circuit pump is adjustable from 1 to 100 %

Solar/Group "4" (cont.)

Coding in the delivered condition		Possible change	
06:80	Maximum speed of the solar circuit pump 80 % of the maximum possible speed	06:1 to 06:100	Maximum speed of the solar circuit pump is adjustable from 1 to 100 %
07:0	Interval function of the solar circuit pump switched OFF	07:1	Interval function of the solar circuit pump switched ON. To capture the collector temperature more accurately, the solar circuit pump starts for short cycles.
08:60	The solar circuit pump will stop when the actual cylinder temperature reaches 60 °C (maximum cylinder temperature).	08:10 to 08:90	The maximum cylinder temperature is adjustable from 10 to 90 °C.
09:130	The solar circuit pump stops if the collector temperature reaches 130 °C (maximum collector temperature to protect the system components).	09:20 to 09:200	The temperature is adjustable from 20 to 200 °C.
0A:5	To protect the system components and heat transfer medium, the speed of the solar circuit pump is reduced when the differential between the actual cylinder temperature and set cylinder temperature is less than 5 K.	0A:0 to 0A:40	The differential between the set cylinder temperature and the start point for reducing the stagnation time can be adjusted from 0 to 40 K.
0b:0	Collector frost protection function switched OFF	0b:1	Collector frost protection function switched ON (not required with Viessmann heat transfer medium).

Solar/Group "4" (cont.)

Coding in the delivered condition		Possible change	
0C:1	Delta T monitoring switched ON. No flow rate captured in the collector circuit, or flow rate too low.	0C:0	Delta T monitoring switched OFF.
0d:1	Night circulation monitoring switched ON. Unintentional flow rate is captured in the collector circuit (e.g. at night).	0d:0	Night circulation monitoring switched OFF.
0E:1	Calculation of solar yield with Viessmann heat transfer medium	0E:2	Calculation of solar yield with water as heat transfer medium (do not select as operation is only possible with Viessmann heat transfer medium)
		0E:0	Calculation of solar yield switched OFF
0F:70	The flow rate in the collector circuit at the maximum pump speed is set to 7 l/min.	0F:1 to 0F:255	Flow rate in the collector circuit adjustable from 0.1 to 25.5 l/min
10:0	Target temperature control switched OFF (see coding address 11)	10:1	Target temperature control switched ON



Solar/Group "4" (cont.)

Coding in the delivered condition		Possible change	
11:50	<p>Set solar cylinder temperature 50 °C.</p> <ul style="list-style-type: none"> ■ Target temperature control switched ON (code 10:1): Temperature at which the solar heated water in the DHW cylinder is to be stratified. ■ Extended control functions set to heat two DHW cylinders (code 20:8): If the actual temperature of a DHW cylinder reaches the selected set cylinder temperature, heating is transferred to the second DHW cylinder. 	11:10 to 11:90	The set cylinder temperature for solar is adjustable from 10 to 90 °C
12:20	<p>Minimum collector temperature 20 °C. The solar circuit pump is not started until the minimum collector temperature set at the collector temperature sensor is exceeded.</p>	12:0	Minimum collector temperature function switched OFF
		12:1 to 12:90	The minimum collector temperature is adjustable from 1 to 90 °C

Solar/Group "4" (cont.)

Coding in the delivered condition		Possible change	
20:0	No extended control functions enabled	20:1	Auxiliary function for DHW heating
		20:2	Differential temperature control 2
		20:3	Differential temperature control 2 and auxiliary function
		20:4	Differential temperature control 2 for central heating backup
		20:5	Thermostat function
		20:6	Thermostat function and auxiliary function
		20:7	Solar heating via external heat exchanger without additional temperature sensor
		20:8	Solar heating via external heat exchanger with additional temperature sensor
		20:9	Solar heating of two DHW cylinders
22:8	Start temperature differential for central heating backup: 8 K. Switching output <input type="checkbox"/> 22 is switched ON when the temperature at sensor <input type="checkbox"/> 7 exceeds the temperature at sensor <input type="checkbox"/> 10 by the selected value.	22:2 to 22:30	Start temperature differential for central heating backup is adjustable from 21 to 30 K



Solar/Group "4" (cont.)

Coding in the delivered condition		Possible change	
23:4	<p>Stop temperature differential for central heating backup: 4 K.</p> <p>Switching output [22] is switched OFF when the temperature at sensor [7] falls below the stop point. The stop point is the sum of the temperature at sensor [10] and the value selected for the stop temperature differential.</p>	23:2 to 23:30	<p>Stop temperature differential for central heating backup is adjustable from 1 to 29 K</p>
24:40	<p>Start temperature for the thermostat function 40 °C.</p> <p>Start temperature for the thermostat function \leq stop temperature for the thermostat function: Thermostat function e.g. for reheating. Switching output [22] is switched ON when the temperature at sensor [7] falls below the start temperature for the thermostat function.</p> <p>Start temperature for thermostat function $>$ stop temperature for thermostat function: Thermostat function e.g. for utilising excess heat. Switching output [22] is switched ON when the temperature at sensor [7] exceeds the start temperature for the thermostat function.</p>	24:0 to 24:100	<p>Start temperature for thermostat function is adjustable from 0 to 100 K</p>

Solar/Group "4" (cont.)

Coding in the delivered condition		Possible change	
25:50	<p>Stop temperature for the thermostat function 50 °C.</p> <p>Start temperature for the thermostat function \leq stop temperature for the thermostat function: Thermostat function e.g. for reheating. Switching output 22 is switched OFF when the temperature at sensor 7 exceeds the start temperature for the thermostat function.</p> <p>Start temperature for thermostat function $>$ stop temperature for thermostat function: Thermostat function e.g. for utilising excess heat. Switching output 22 is switched OFF when the temperature at sensor 7 falls below the start temperature for the thermostat function.</p>	25:0 to 25:100	Start temperature for thermostat function is adjustable from 0 to 100 K
26:1	Priority for DHW cylinder 1 – with alternate heating Only when setting code 20:8.	26:0	Priority for DHW cylinder 1 – without alternate heating
		26:2	Priority for DHW cylinder 2 – without alternate heating
		26:3	Priority for DHW cylinder 2 – with alternate heating
		26:4	Alternate heating without priority for one DHW cylinder

Solar/Group "4" (cont.)

Coding in the delivered condition		Possible change	
27:15	Alternate heating time 15 min. The DHW cylinder without priority is heated at most for the duration of the set alternate heating time if the DHW cylinder with priority is heated up.	27:5 to 27:60	The alternate heating time is adjustable from 5 to 60 min
28:3	Alternate pause duration 3 min. After the set alternate heating time for the DHW cylinder without priority has expired, the rise in collector temperature is captured during the alternate heating time.	28:1 to 28:60	The alternate pause duration is adjustable from 1 to 60 min

Heating circuit 1, heating circuit 2, heating circuit 3/Group "5"

Select **"Heating circuit ..."** for weather-compensated control units (see page 55).
Select **"5"** for constant temperature control units (see page 55).

Coding

Coding in the delivered condition		Possible change	
A0:0	Without remote control (only for weather-compensated control units)	A0:1	With Vitotrol 200A (automatic recognition)
		A0:2	With Vitotrol 300A (automatic recognition)
A1:0	All settings that can be made at the remote control can be executed (only for constant temperature control units)	A1:1	Only party mode can be set at the remote control

Heating circuit 1, heating circuit 2, heating... (cont.)

Coding in the delivered condition		Possible change	
A2:2	Cylinder priority applicable to heating circuit pump and mixer	A2:0	Without cylinder priority applicable to heating circuit pump and mixer
		A2:1	Cylinder priority only applicable to mixer
		A2:3 to A2:15	Reduced priority applied to mixer (the heating circuit receives a reduced amount of energy)
A3:2	Outside temperature below 1 °C: Heating circuit pump "ON" Outside temperature above 3 °C: Heating circuit pump "OFF"	A3:-9 to A3:15	Heating circuit pump "ON/OFF" (see the following table)



Please note

When selecting a value below 1 °C, there is a risk of pipes outside the thermal envelope of the building being damaged by frost.
The standby mode, in particular, should be taken into consideration, e.g. during holidays.

Parameter Address A3:...	Heating circuit pump	
	"ON"	"OFF"
-9	-10 °C	-8 °C
-8	-9 °C	-7 °C
-7	-8 °C	-6 °C
-6	-7 °C	-5 °C
-5	-6 °C	-4 °C
-4	-5 °C	-3 °C
-3	-4 °C	-2 °C
-2	-3 °C	-1 °C
-1	-2 °C	0 °C
0	-1 °C	1 °C
1	0 °C	2 °C
2	1 °C	3 °C
to	to	to
15	14 °C	16 °C

Heating circuit 1, heating circuit 2, heating... (cont.)

Coding in the delivered condition		Possible change	
A4:0	With frost protection (only for weather-compensated control units)	A4:1	No frost protection; this setting is only possible if code "A3: -9" has been selected. Note <i>Observe the information regarding coding address "A3"</i>
A5:5	With heating circuit pump logic function (economy circuit): Heating circuit pump "OFF" when the outside temperature (AT) is 1 K higher than the set room temperature (RT_{set}) $AT > RT_{set} + 1 \text{ K}$ (only for weather-compensated control units)	A5:0	Without heating circuit pump logic function
		A5:1 to A5:15	With heating circuit pump logic function: Heating circuit pump "OFF" (see the following table)

Parameter address	With heating circuit pump logic function: Heating circuit pump "OFF"
A5:...	
1	$AT > RT_{set} + 5 \text{ K}$
2	$AT > RT_{set} + 4 \text{ K}$
3	$AT > RT_{set} + 3 \text{ K}$
4	$AT > RT_{set} + 2 \text{ K}$
5	$AT > RT_{set} + 1 \text{ K}$
6	$AT > RT_{set}$
7	$AT > RT_{set} - 1 \text{ K}$
to	
15	$AT > RT_{set} - 9 \text{ K}$

Heating circuit 1, heating circuit 2, heating... (cont.)

Coding in the delivered condition		Possible change	
A6:36	Extended economy function disabled (only for weather-compensated control units)	A6:5 to A6:35	Extended economy control enabled, i.e. the burner and heating circuit pump will be switched OFF and the mixer closed at a variable adjustable value between 5 and 35 °C plus 1 °C. Base value is the adjusted outside temperature. This value is based on the actual outside temperature and a time constant that takes the cooling down of an average building into consideration.
A7:0	Without mixer economy function (only for a weather-compensated control unit and heating circuit with mixer)	A7:1	With mixer economy function (extended heating circuit pump logic): Heating circuit pump also "OFF": <ul style="list-style-type: none"> ■ If a mixer has been closed for longer than 20 min. Heating pump "ON": <ul style="list-style-type: none"> ■ If the mixer changes to control function ■ If there is a risk of frost
A8:1	Heating circuit with mixer creates a demand for the internal circulation pump (only for weather-compensated control units)	A8:0	Heating circuit with mixer creates no demand for the internal circulation pump
A9:7	With pump idle time: Heating circuit pump "OFF" if the set value changes through a change in operating mode or through a change in the set room temperature (only for weather-compensated control units)	A9:0	Without pump idle time
		A9:1 to A9:15	With pump idle time; adjustable from 1 to 15



Heating circuit 1, heating circuit 2, heating... (cont.)

Coding in the delivered condition		Possible change	
b0:0	With remote control: Heating mode/reduced mode: Weather-compensated (only for weather-compensated control units; change the code only for the heating circuit with mixer)	b0:1	Heating mode: Weather-compensated Reduced mode: With room temperature hook-up
		b0:2	Heating mode: With room temperature hook-up Reduced mode: Weather-compensated
		b0:3	Heating mode/reduced mode: With room temperature hook-up
b2:8	With remote control and for the heating circuit, operation with room temperature hook-up must be programmed: Room influence factor 8 (only for weather-compensated control units; change the code only for the heating circuit with mixer)	b2:0	Without room influence
		b2:1 to b2:64	Room influence factor adjustable from 1 to 64
b5:0	With remote control: No room temperature-dependent heating circuit pump logic function (only for weather-compensated control units; change the code only for the heating circuit with mixer)	b5:1 to b5:8	Heating circuit pump logic function, see the following table:

Parameter address b5:...	With heating circuit pump logic function:	
	Heating circuit pump "OFF"	Heating circuit pump "ON"
1	$RT_{actual} > RT_{set} + 5 \text{ K}$	$RT_{actual} < RT_{set} + 4 \text{ K}$
2	$RT_{actual} > RT_{set} + 4 \text{ K}$	$RT_{actual} < RT_{set} + 3 \text{ K}$
3	$RT_{actual} > RT_{set} + 3 \text{ K}$	$RT_{actual} < RT_{set} + 2 \text{ K}$
4	$RT_{actual} > RT_{set} + 2 \text{ K}$	$RT_{actual} < RT_{set} + 1 \text{ K}$
5	$RT_{actual} > RT_{set} + 1 \text{ K}$	$RT_{actual} < RT_{set}$
6	$RT_{actual} > RT_{set}$	$RT_{actual} < RT_{set} - 1 \text{ K}$
7	$RT_{actual} > RT_{set} - 1 \text{ K}$	$RT_{actual} < RT_{set} - 2 \text{ K}$
8	$RT_{actual} > RT_{set} - 2 \text{ K}$	$RT_{actual} < RT_{set} - 3 \text{ K}$

Heating circuit 1, heating circuit 2, heating... (cont.)

Coding in the delivered condition		Possible change	
C5:20	Electronic minimum flow temperature limit 20 °C (only for weather-compensated control units)	C5:1 to C5:127	Minimum limit adjustable from 1 to 127 °C (limited by boiler-specific parameters)
C6:74	Electronic maximum flow temperature limited to 74 °C (only for weather-compensated control units)	C6:10 to C6:127	Maximum limit adjustable from 10 to 127 °C (limited by boiler-specific parameters)
d3:14	Heating curve slope = 1.4	d3:2 to d3:35	Heating curve slope adjustable from 0.2 to 3.5 (see page 34)
d4:0	Heating curve level = 0	d4:-13 to d4:40	Heating curve level adjustable from -13 to 40 (see page 34)
d5:0	The external heating program changeover changes the heating program to "Constant operation with reduced room temperature" or "Standby mode" (only for weather-compensated control units)	d5:1	The external heating program changeover changes to "Constant operation with standard room temperature" (independent of coding address 3A, 3b and 3C)
d6:0	Heating circuit pump stays in control mode at signal "External blocking"	d6:1	Heating circuit pump stops at signal "External blocking" (subject to coding addresses 3A, 3b and 3C)
		d6:2	Heating circuit pump starts at signal "External blocking" (subject to coding addresses 3A, 3b and 3C)
d7:0	Heating circuit pump stays in control mode at signal "External demand"	d7:1	Heating circuit pump stops at signal "External demand" (subject to coding addresses 3A, 3b and 3C)
		d7:2	Heating circuit pump starts at signal "External blocking" (subject to coding addresses 3A, 3b and 3C)

Heating circuit 1, heating circuit 2, heating... (cont.)

Coding in the delivered condition		Possible change	
d8:0	No heating program changeover via extension EA1	d8:1	Heating program changeover via input DE1 at extension EA1
		d8:2	Heating program changeover via input DE2 at extension EA1
		d8:3	Heating program changeover via input DE3 at extension EA1
E2:50	With remote control: No display correction for the actual room temperature (only for weather-compensated control units)	E2:0 to E2:49	Display correction -5 K to Display correction -0.1 K
		E2:51 to E2:99	Display correction +0.1 K to Display correction +4.9 K
E5:0	Without external variable speed heating circuit pump (only for weather-compensated control units)	E5:1	With external variable speed heating circuit pump (automatic recognition)
E6:...	Maximum speed of the variable speed heating circuit pump in % of the max. speed in standard mode. Value is defaulted by boiler-specific parameters (only for weather-compensated control units).	E6:0 to E6:100	Maximum speed adjustable from 0 to 100 %
E7:30	Minimum speed of the variable speed heating circuit pump: 30 % of the maximum speed (only for weather-compensated control units)	E7:0 to E7:100	Minimum speed adjustable from 0 to 100 % of the maximum speed

Heating circuit 1, heating circuit 2, heating... (cont.)

Coding in the delivered condition		Possible change	
E8:1	Minimum speed in operation with reduced room temperature subject to the setting in coding address "E9" (only for weather-compensated control units)	E8:0	Speed subject to the setting in coding address "E7"
E9:45	Speed of the variable speed heating circuit pump: 45 % of the maximum speed during operation with reduced room temperature (only for weather-compensated control units)	E9:0 to E9:100	Speed adjustable from 0 to 100 % of the maximum speed during operation with reduced room temperature
F1:0	Screed drying function disabled (only for weather-compensated control units)	F1:1 to F1:6	Screed drying function adjustable in accordance with 6 optional temperature/time profiles (see page 127)
		F1:15	Constant flow temperature 20 °C
F2:8	Time limit for party mode or external heating program changeover via key: 8 h (only for weather-compensated control units) ^{*1}	F2:0	No time limit for party mode ^{*1}
		F2:1 to F2:12	Time limit adjustable from 1 to 12h ^{*1}
F5:12	Run-on time of the circulation pump in the heating circuit connection set in heating mode: 12 min (only for constant temperature control units)	F5:0	No run-on time for the circulation pump in the heating circuit connection set
		F5:1 to F5:20	Run-on time of the circulation pump in the heating circuit connection set adjustable from 1 to 20 min



^{*1} Party mode ends **automatically** in the "Heating and DHW" program, when the system changes over to operation with standard room temperature.

Heating circuit 1, heating circuit 2, heating... (cont.)


Coding in the delivered condition		Possible change	
F6:25	In the "DHW only" operating mode, the circulation pump in the heating circuit connection set is permanently ON (only for constant temperature control units)	F6:0	In the "DHW only" operating mode, the circulation pump in the heating circuit connection set is permanently OFF
		F6:1 to F6:24	In the "DHW only" operating mode, the circulation pump in the heating circuit connection set will be started 1 to 24 times per day for 10 min respectively
F7:25	In the "Standby" operating mode, the circulation pump in the heating circuit connection set is permanently ON (only for constant temperature control units)	F7:0	In the "Standby" operating mode, the circulation pump in the heating circuit connection set is permanently OFF
		F7:1 to F7:24	In the "Standby" operating mode, the circulation pump in the heating circuit connection set will be started 1 to 24 times per day for 10 min respectively
F8:-5	Temperature limit for terminating the reduced mode -5 °C, see example on page 130. Observe the setting of coding address "A3" (only for weather-compensated control units)	F8:+10 to F8:-60	Temperature limit adjustable from +10 to -60 °C
		F8:-61	Function disabled
F9:-14	Temperature limit for raising the reduced set room temp. -14 °C, see example on page 130 (only for weather-compensated control units)	F9:+10 to F9:-60	Temperature limit for raising the set room temperature to the value selected for standard mode adjustable from +10 to -60 °C

Heating circuit 1, heating circuit 2, heating... (cont.)

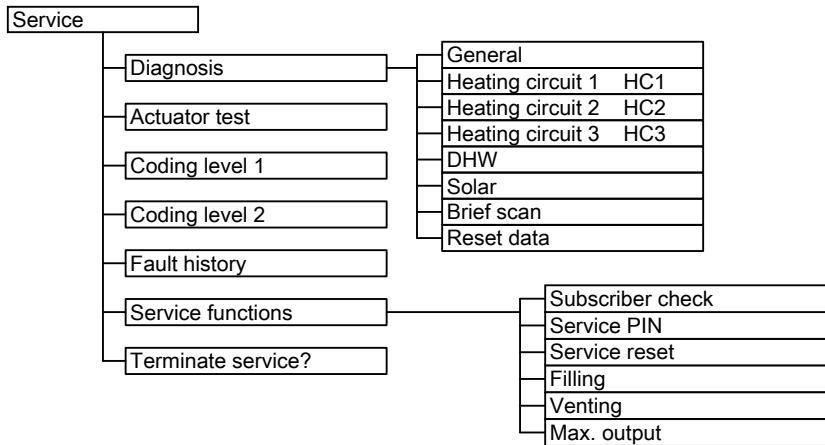
Coding in the delivered condition		Possible change	
FA:20	Raising the set boiler water temperature or the set flow temperature when changing from operation with reduced room temperature to operation with standard room temperature, by 20 %. See example on page 131 (only for weather-compensated control units)	FA:0 to FA:50	Temperature rise adjustable from 0 to 50 %
Fb:30	Duration for raising the set boiler water temperature or the set flow temperature (see coding address "FA") 60 min. See example on page 131 (only for weather-compensated control units)	Fb:0 to Fb:150	Duration adjustable from 0 to 300 min; one step $\hat{=}$ 2 min

Calling up the service menu

Only for weather-compensated control units

Press **OK** and  simultaneously for approx. 4 s.

Service menu overview



Diagnosis

Scanning operating data

- Weather-compensated control unit:
Operating data can be scanned in six areas. See "**Diagnosis**" in the service menu overview.
Operating data on heating circuits with mixers and solar can only be scanned if the components are installed in the system.
For further information on operating data, see chapter "Brief scan".
- Constant temperature control unit:
Operating data can be scanned in the "**i**" menu.



Operating instructions

For further information on operating data, see chapter "Brief scan".

Diagnosis (cont.)

Note


"- - -" appears on the display if a sensor that has been scanned is faulty.

Calling up operating data

3. Select required group, e.g. **"General"**.

Weather-compensated control unit

Constant temperature control unit

1. Press **OK** and  simultaneously for approx. 4 s.



Operating instructions, chapter "Scanning information"


2. **"Diagnosis"**

Resetting operating data

Saved operating data (e.g. hours run) can be reset to 0.
The value "Adjusted outside temp" is reset to the actual value.

Weather-compensated control unit

4. Select required value (e.g. **"Burner starts"**) or **"All details"**.

1. Press **OK** and  simultaneously for approx. 4 s.

Constant temperature control unit

2. **"Diagnosis"**




Operating instructions, chapter "Scanning information"

3. **"Reset data"**

Brief scan

In the brief scan, you can scan temperatures, software versions and connected components, for example.

Weather-compensated control unit

1. Press **OK** and  simultaneously for approx. 4 s.
2. **"Diagnosis"**
3. **"Brief scan"**.
4. Press **OK**.

The display shows 9 lines with 6 fields each.

Diagnosis and service scans

Diagnosis (cont.)

Diagnose Kurzabfrage						
1:	1	F	0	A	1	2
2:	0	0	0	0	0	0
3:	0	0	0	0	0	0
4:	0	0	0	0	0	0

Wählen mit 




For an explanation of the relevant values in the individual lines and fields, see the following table:

Line (brief scan)	Field					
	1	2	3	4	5	6
1:	Software version Control unit		Equipment version		Burner control unit version	
2:	System schemes 01 to 10		Number of KM BUS subscribers	Maximum demand temperature		
3:	Switching state of flow switch (only for combi boilers)	Software version Programming unit	Software version Mixer extension 0: no mixer extension	Software version Solar control module SM1	Software version LON module	Software version External extension 0: no external extension
4:	Software version Burner control unit		Type Burner control unit		Appliance type	
5:	0: no external demand 1: external demand	0: no external blocking 1: external blocking		External hook-up 0 - 10 V Display in °C 0: no external hook-up		
6:	Number of LON subscribers		Check digit	Max. output Details in %.		

Diagnosis (cont.)

Line (brief scan)	Field					
	1	2	3	4	5	6
7:	Heating circuit A1 (without mixer) Remote control 0: w/o 1: Vitotrol 200A 2: Vitotrol 300A or Vitohome		Heating circuit M2 (with mixer) Remote control 0: w/o 1: Vitotrol 200A 2: Vitotrol 300A or Vitohome		Heating circuit M3 (with mixer) Remote control 0: w/o 1: Vitotrol 200A 2: Vitotrol 300A or Vitohome	
8:	Internal circulation pump Variable speed pump 0: w/o 1: Wilo 2: Grundfos		Heating circuit pump to connection extension Variable speed pump 0: w/o 1: Wilo 2: Grundfos		Variable speed pump 0: w/o 1: Wilo 2: Grundfos	
9:	Internal details for calibration				Software version Extension AM1	Software version Extension EA1

Constant temperature control unit

1. Press **OK** and  simultaneously for approx. 4 s.
"🌀" flashes on the display.
2. Confirm with **OK**.
3. Select scan with /. For example, "b" for "Max. output" (see following table):
4. Confirm selected scan with **OK**.

Diagnosis (cont.)

For explanations of individual scans, see the following table:

Brief scan	Display				
0	Switching state of flow switch (only for combi boilers)	System schemes 1 to 2	Software version Control unit		Software version Programming unit
1	Software version Solar control module SM1	Software version Burner control unit		External extension software version 0: no external extension	Software version Multi-boiler control unit
E			External hook-up 0 - 10 V Display in °C 0: no external hook-up		
3			Set boiler water temperature		
A			Highest demand temperature		
4		Burner control unit type		Appliance type	
5			Set cylinder temperature		
b	Diverter valve status 0: not installed 1: Heating 2: Central position 3: DHW heating		Max. output in %		
C		Boiler coding card (hexadecimal)			
c		Version Appliance		Version Burner control unit	

Diagnosis (cont.)

Brief scan	Display				
d				Variable speed pump 0 w/o 1 Wilo 2 Grundfos	Software version Variable speed pump 0: no variable speed pump
F ①	Code 53 setting	Internal details for calibration			
Extension AM1					
F ②	Software version	Output A1 configuration (value corresponds to code 33 setting)	Output A1 switching state 0: OFF 1: ON	Output A2 configuration (value corresponds to code 34 setting)	Output A2 switching state 0: OFF 1: ON
Extension EA1					
F ③	Output 157 configuration (value corresponds to code 36 setting)	Output 157 switching state 0: OFF 1: ON	Input DE1 switching state 0: open 1: closed	Input DE2 switching state 0: open 1: closed	Input DE3 switching state 0: open 1: closed
F ④	Software version		External hook-up 0 - 10 V Display in %		
Solar control module SM1					
F ⑤	Stagnation time of the solar thermal system in h				
F ⑥	Night circulation of the solar thermal system (number)				
F ⑦	Monitoring reheating suppression for heating (number)				



Diagnosis and service scans

Diagnosis (cont.)

Brief scan	Display				
F ⑧				Solar central heating backup 0: not enabled 1: enabled	Output 22 switching state 0: OFF 1: ON
Open Therm extension (if installed)					
F ⑨	Software version	DHW heating status	External hook-up 0 - 10 V Display in %		

Checking outputs (relay test)

Weather-compensated control unit

1. Press **OK** and simultaneously for approx. 4 s.
2. "Actuator test"




The following relay outputs can be controlled subject to system design:

Display	Explanation
Start base load	Burner operates at minimum output; internal pump starts
Start full load	Burner operates at maximum output; internal pump starts
Start internal output	Internal output (internal pump) enabled
Start valve heating	Diverter valve set to heating mode
Start valve centre	Diverter valve in central position (filling/draining)
Start valve cylinder	Diverter valve set to DHW mode
Start htg circ pump HC2	Heating circuit pump output enabled (extension to heating circuit with mixer)
Open mixer HC2	"Mixer open" output enabled (extension to heating circuit with mixer)
Close mixer HC2	"Mixer closed" output enabled (extension to heating circuit with mixer)
Start htg circ pump HC3	Heating circuit pump output enabled (extension to heating circuit with mixer)

Checking outputs (relay test) (cont.)

Display	Explanation
Open mixer HC3	"Mixer open" output enabled (extension to heating circuit with mixer)
Close mixer HC3	"Mixer closed" output enabled (extension to heating circuit with mixer)
Start outp. int. exten. H1	Output at internal extension enabled
Start AM1 output 1	Output A1 at extension AM1 enabled
Start AM1 output 2	Output A2 at extension AM1 enabled
Start EA1 output 1	Contacts P - S at plug [157] for extension EA1 closed
Start solar circuit pump	Solar circuit pump [24] output at solar control module SM1 enabled
Start solar circ pmp min	Solar circuit pump output at solar control module SM1 switched to minimum speed
Start solar circ pmp max	Solar circuit pump output at solar control module SM1 switched to maximum speed
Start sol. output [22]	Output [22] at solar control module SM1 enabled

Constant temperature control unit

1. Press **OK** and  simultaneously for approx. 4 s.
"P" flashes on the display.
2. Select  "C" and confirm with **OK**.
3. Select required actuator (output) with  (see following table):
4. Confirm selected actuator with **OK**.
The display shows the number for the activated actuator and "ON".

The following actuators (relay outputs) can be controlled subject to system design:

Display	Explanation
1	Burner operates at minimum output; internal pump starts
2	Burner operates at maximum output; internal pump starts
3	Internal output [20] (internal pump) is enabled
4	Diverter valve set to heating mode
5	Diverter valve in central position (filling/draining)
6	Diverter valve set to DHW mode
10	Internal extension output enabled
15	Solar circuit pump [24] output at solar control module SM1 enabled



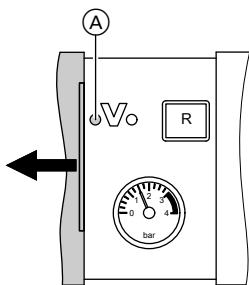
Checking outputs (relay test) (cont.)

Display	Explanation
16	Solar circuit pump output at solar control module SM1 switched to minimum speed
17	Solar circuit pump output at solar control module SM1 switched to maximum speed
18	Output 22 at solar control module SM1 enabled
19	Contacts P - S at plug 157 for extension EA1 closed
20	Output A1 at extension AM1 enabled
21	Output A2 at extension AM1 enabled

Fault display

Weather-compensated control unit

If there is a fault, the red fault indicator (A) flashes. "△" flashes on the display and "Fault" is shown.



The fault code is displayed with **OK**. For an explanation of the fault code, see the following pages.

For some faults, the type of fault is also displayed in plain text.

Acknowledging a fault

Follow the instructions on the display.

Note

The fault message is shown in the standard display of the short menu.

A fault messaging facility, if connected, will be switched OFF.

If an acknowledged fault is not remedied, the fault message will be re-displayed the following day and the fault message facility restarted.


Calling up acknowledged faults

Select "**Fault**" in the standard menu. The current faults will be displayed in a list.

Calling up fault codes from the fault memory (fault history)


The 10 most recent faults (including resolved ones) are saved and can be scanned.

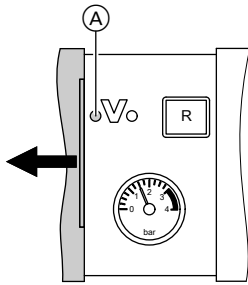
Faults are sorted by date.



1. Press **OK** and  simultaneously for approx. 4 s.
2. "**Fault history**"
3. "**Display?**"

Fault display (cont.)

Constant temperature control unit

If there is a fault, the red fault indicator  flashes. The two-digit fault code and (subject to the type of fault) "△" or "↓" flash on the programming unit display.



Other current faults can be displayed with / . For an explanation of the fault codes, see the following pages.



Example: Fault code "50"

Acknowledge fault

Press **OK**; the standard display is shown again.

A fault messaging facility, if connected, will be switched OFF.

If an acknowledged fault is not remedied, the fault message will be re-displayed the following day and the fault message facility restarted.

Calling up acknowledged faults




Press **OK** for approx. 4 s.

The 10 most recent faults (including resolved ones) are saved and can be scanned.

Calling up fault codes from the fault memory (fault history)

The 10 most recent faults (including those remedied) are saved and can be called up.

Faults are sorted by date.

1. Press **OK** and  simultaneously for approx. 4 s.
2. Select "△" and enable fault history with **OK**.
3. Select fault messages with / .

Fault codes

Dis- played fault code	Const.	Weath.- comp.	System char- acteristics	Cause	Measures
10	X	X	Regulates as if the outside temperature were 0 °C	Short circuit, outside temperature sensor	Check the outside temperature sensor (see page 109)
18	X	X	Regulates as if the outside temperature were 0 °C	Lead break, outside temperature sensor	Check the outside temperature sensor (see page 109)
20	X	X	Regulates without flow temperature sensor (low loss header)	Short circuit, system flow temperature sensor	Check the low loss header sensor (see page 111)
28	X	X	Regulates without flow temperature sensor (low loss header)	Lead break, system flow temperature sensor	Check the low loss header sensor (see page 111)
30	X	X	Burner blocked	Short circuit, boiler water temperature sensor	Check the boiler water temperature sensor (see page 111)
38	X	X	Burner blocked	Lead break, boiler water temperature sensor	Check the boiler water temperature sensor (see page 111)
40		X	Mixer closes	Short circuit, flow temperature sensor, heating circuit 2 (with mixer)	Check flow temperature sensor
44		X	Mixer closes	Short circuit, flow temperature sensor, heating circuit 3 (with mixer)	Check flow temperature sensor



Fault codes (cont.)

Dis- played fault code	Const.	Weath.- comp.	System char- acteristics	Cause	Measures
48		X	Mixer closes	Lead break, flow tempera- ture sensor, heating circuit 2 (with mixer)	Check flow temper- ature sensor
4C		X	Mixer closes	Lead break, flow tempera- ture sensor, heating circuit 3 (with mixer)	Check flow temper- ature sensor
50	X	X	No DHW heat- ing	Short circuit, cylinder tem- perature sen- sor	Check the cylinder temperature sen- sor (see page 111)
58	X	X	No DHW heat- ing	Lead break, cylinder tem- perature sen- sor	Check the cylinder temperature sen- sor (see page 111)
90	X	X	Control mode	Short circuit, temperature sensor 7	Check sensor 7 on the solar control module
91	X	X	Control mode	Short circuit, temperature sensor 10	Check sensor 10 on the solar control module
92	X	X	No DHW heat- ing	Short circuit, collector tem- perature sen- sor	Check temperature sensor 6 on the solar control mod- ule or the Vitosolic sensor
93	X	X	Control mode	Short circuit, cylinder tem- perature sen- sor	Check temperature sensor at connec- tion S3 to the Vitosolic 100
94	X	X	No DHW heat- ing	Short circuit, cylinder tem- perature sen- sor	Check temperature sensor 5 on the solar control mod- ule or the Vitosolic sensor

Fault codes (cont.)

Dis- played fault code	Const.	Weath.- comp.	System char- acteristics	Cause	Measures
98	X	X	Control mode	Lead broken, temperature sensor 7	Check sensor 7 on the solar control module
99	X	X	Control mode	Lead broken, temperature sensor 10	Check sensor 10 on the solar control module
9A	X	X	No DHW heating	Lead break, collector temperature sensor	Check temperature sensor 6 on the solar control module or the Vitosolic sensor
9b	X	X	Control mode	Lead break, cylinder temperature sensor	Check temperature sensor at connection S3 to the Vitosolic 100
9C	X	X	No DHW heating	Lead break, cylinder temperature sensor	Check temperature sensor 5 on the solar control module or the Vitosolic sensor
9E	X	X	Control mode	No flow rate in the collector circuit or flow rate too low, or temperature limiter has responded	Check solar circuit pump and solar circuit. Acknowledge fault message
9F	X	X	Control mode	Solar control module or Vitosolic faulty	Replace solar control module or Vitosolic
A6	X	X	Control mode	Impressed current anode faulty	Replace impressed current anode
A7		X	Control mode as per delivered condition	Programming unit faulty	Replace programming unit



Fault codes (cont.)

Dis- played fault code	Const.	Weath.- comp.	System char- acteristics	Cause	Measures
b0	X	X	Burner blocked	Short circuit, flue gas tem- perature sen- sor	Check the flue gas temperature sen- sor
b1	X	X	Control mode as per deliv- ered condition	Communica- tion error, programming unit	Check connections and replace the programming unit if required
b5	X	X	Control mode as per deliv- ered condition	Internal fault	Replace the control unit
b7	X	X	Burner blocked	Boiler coding card faulty	Plug in boiler cod- ing card or replace, if faulty
b8	X	X	Burner blocked	Lead break, flue gas tem- perature sen- sor	Check the flue gas temperature sen- sor
bA		X	Mixer regulates to a flow tem- perature of 20 °C	Communica- tion error, extension kit for heating circuit 2 (with mixer)	Check extension kit connections and codes
bb		X	Mixer regulates to a flow tem- perature of 20 °C	Communica- tion error, extension kit for heating circuit 3 (with mixer)	Check extension kit connections and codes
bC		X	Control mode without remote control	Communica- tion error, remote con- trol Vitotrol heating circuit 1 (without mixer)	Check connec- tions, cable, cod- ing address "A0" and remote control DIP switches (see page 132)

Fault codes (cont.)

Dis- played fault code	Const.	Weath.- comp.	System char- acteristics	Cause	Measures
bd		X	Control mode without remote control	Communica- tion error, remote control Vitotrol heating circuit 2 (with mixer)	Check connec- tions, lead, coding address "A0" and remote control set- tings (see page 132)
bE		X	Control mode without remote control	Communica- tion error, remote control Vitotrol heating circuit 3 (with mixer)	Check connec- tions, lead, coding address "A0" and remote control set- tings (see page 132)
bF		X	Control mode	Incorrect LON commu- nication mod- ule	Replace the LON communication module
C1	X	X	Control mode	Communica- tion error extension EA1	Check electrical connections
C2	X	X	Control mode	Communica- tion error, solar control module or Vitosolic	Check solar control module or Vitosolic
C3	X	X	Control mode	Extension AM1 commu- nication error	Check electrical connections
C4	X	X	Control mode	Communica- tion error, Open Therm extension	Check Open Therm extension
C5	X	X	Control mode, max. pump speed	Communica- tion error, var- iable speed internal pump	Check the setting of coding address "30"



Fault codes (cont.)

Dis- played fault code	Const.	Weath.- comp.	System char- acteristics	Cause	Measures
C6		X	Control mode, max. pump speed	Communica- tion error, external vari- able speed heating circuit pump, heat- ing circuit 2 (with mixer)	Check setting of coding address "E5"
C7	X	X	Control mode, max. pump speed	Communica- tion error, external vari- able speed heating circuit pump, heat- ing circuit 1 (without mixer)	Check setting of coding address "E5"
C8		X	Control mode, max. pump speed	Communica- tion error, external vari- able speed heating circuit pump, heat- ing circuit 3 (with mixer)	Check setting of coding address "E5"
Cd	X	X	Control mode	Communica- tion error, Vitocom 100 (KM BUS)	Check connec- tions, Vitocom 100 and coding address "95"
CE	X	X	Control mode	Communica- tion error, ext. extension	Check connections and coding address "2E"
CF		X	Control mode	Communica- tion error, LON commu- nication mod- ule	Replace the LON communication module

Fault codes (cont.)

Dis- played fault code	Const.	Weath.- comp.	System char- acteristics	Cause	Measures
d6	X	X	Control mode	Input DE1 fault at exten- sion EA1	Check connection to input DE1
d7	X	X	Control mode	Input DE2 fault at exten- sion EA1	Check connection to input DE2
d8	X	X	Control mode	Input DE3 fault at exten- sion EA1	Check connection to input DE3
dA		X	Control mode without room influence	Short circuit, room temper- ature sensor, heating circuit 1 (without mixer)	Check room tem- perature sensor, heating circuit 1
db		X	Control mode without room influence	Short circuit, room temper- ature sensor, heating circuit 2 (with mixer)	Check room tem- perature sensor, heating circuit 2
dC		X	Control mode without room influence	Short circuit, room temper- ature sensor, heating circuit 3 (with mixer)	Check room tem- perature sensor, heating circuit 3
dd		X	Control mode without room influence	Lead break, room temper- ature sensor, heating circuit 1 (without mixer)	Check room tem- perature sensor for heating circuit 1 and remote control settings (see page 132)
dE		X	Control mode without room influence	Lead break, room temper- ature sensor, heating circuit 2 (with mixer)	Check room tem- perature sensor for heating circuit 2 and remote control settings (see page 132)



Fault codes (cont.)

Dis- played fault code	Const.	Weath.- comp.	System char- acteristics	Cause	Measures
dF		X	Control mode without room influence	Lead break, room temperature sensor, heating circuit 3 (with mixer)	Check room temperature sensor for heating circuit 3 and remote control settings (see page 132)
E0		X	Control mode	Fault external LON subscriber	Check connections and LON subscribers
E4	X	X	Burner blocked	Fault, supply voltage 24 V	Replace the control unit.
E5	X	X	Burner blocked	Fault, flame amplifier	Replace the control unit.
E8	X	X	Burner in a fault state	The ionisation current lies outside the permissible range	Check the ionisation electrode and cable. Press reset button R .
E9	X	X	Burner in a fault state	The ionisation current lies outside the permissible range during calibration	Check the ionisation electrode and cable. Check the flue gas system for tightness. Press reset button R .
EA	X	X	Burner in a fault state	The ionisation current lies outside the permissible range during calibration	Check the ionisation electrode and cable. Press reset button R .

Fault codes (cont.)

Dis- played fault code	Const.	Weath.- comp.	System char- acteristics	Cause	Measures
Eb	X	X	Burner in a fault state	Heat draw-off repeatedly too low during calibration	Initiate a heat draw-off. Switch the boiler OFF and ON again. Press reset button R .
EC	X	X	Burner in a fault state	The ionisation current lies outside the permissible range during calibration	Check the ionisation electrode and cable. Press reset button R .
Ed	X	X	Burner in a fault state	Internal fault	Replace the control unit.
EE	X	X	Burner in a fault state	Flame signal is not present or too weak at burner start	Check the ionisation electrode and connecting cable, measure the ionisation current, check the gas supply (gas pressure and gas flow limiter), check the gas train, ignition, ignition module, ignition electrodes and the condensate drain. Press reset button R .



Fault codes (cont.)

Dis- played fault code	Const.	Weath.- comp.	System char- acteristics	Cause	Measures
EF	X	X	Burner in a fault state	The flame is lost immediately after it has built (during the safety time)	Check the gas supply (gas pressure and gas flow limiter), check the flue gas/ventilation air system for flue gas recirculation, check the ionisation electrode (replace if required). Press reset button R .
F0	X	X	Burner blocked	Internal fault	Replace the control unit.
F1	X	X	Burner in a fault state	Flue gas temperature limiter has responded	Check the heating system fill level. Vent the system. Press reset button R after the flue system has cooled down.
F2	X	X	Burner in a fault state	The temperature limiter has responded	Check the heating system fill level. Check the circulation pump. Vent the system. Check the temperature limiter and connecting cables. Press reset button R .
F3	X	X	Burner in a fault state	Flame signal is already present at burner start	Check the ionisation electrode and connecting cable. Press reset button R .

Fault codes (cont.)

Dis- played fault code	Const.	Weath.- comp.	System char- acteristics	Cause	Measures
F8	X	X	Burner in a fault state	The fuel valve closes too late	Check the gas train. Check both control paths. Press reset button R .
F9	X	X	Burner in a fault state	Fan speed too low during burner start	Check the fan, the fan connecting cables and power supply; check the fan control. Press reset button R .
FA	X	X	Burner in a fault state	Fan not at standstill	Check the fan, fan connecting cables and fan control. Press reset button R .
FC	X	X	Burner in a fault state	Gas train faulty or faulty modulation valve control or flue gas path blocked	Check the gas train. Check the flue gas system. Press reset button R .
Fd	X	X	Burner in a fault state	Fault, combustion controller	Check ignition electrodes and connecting cables. Check whether a strong interference (EMC) field exists near the appliance. Press reset button R . Replace control unit if the fault persists.

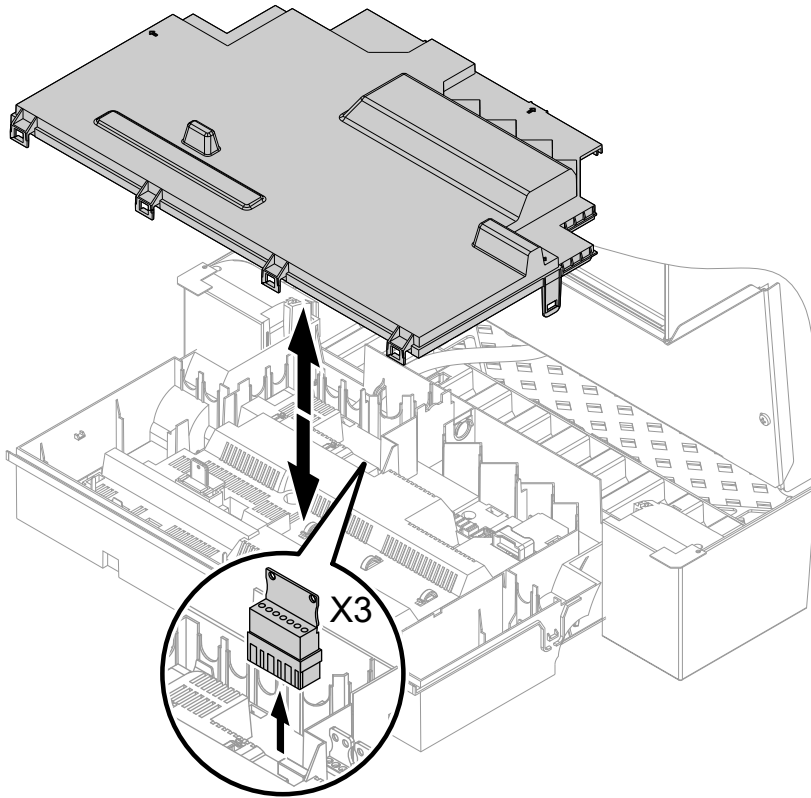


Fault codes (cont.)

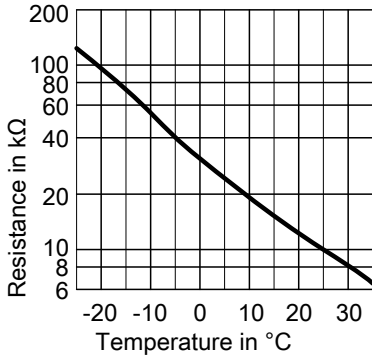
Dis- played fault code	Const.	Weath.- comp.	System char- acteristics	Cause	Measures
FE	X	X	Burner blocked or in a fault state	Boiler coding card or main PCB faulty	Press reset button R . Replace boiler coding card or con- trol unit if the fault persists.
FF	X	X	Burner blocked or in a fault state	Internal fault or reset but- ton R blocked	Start the appliance again. Replace the control unit if the appliance will not restart.

Repairs

Checking the outside temperature sensor (weather-compensated control unit)



Repairs (cont.)

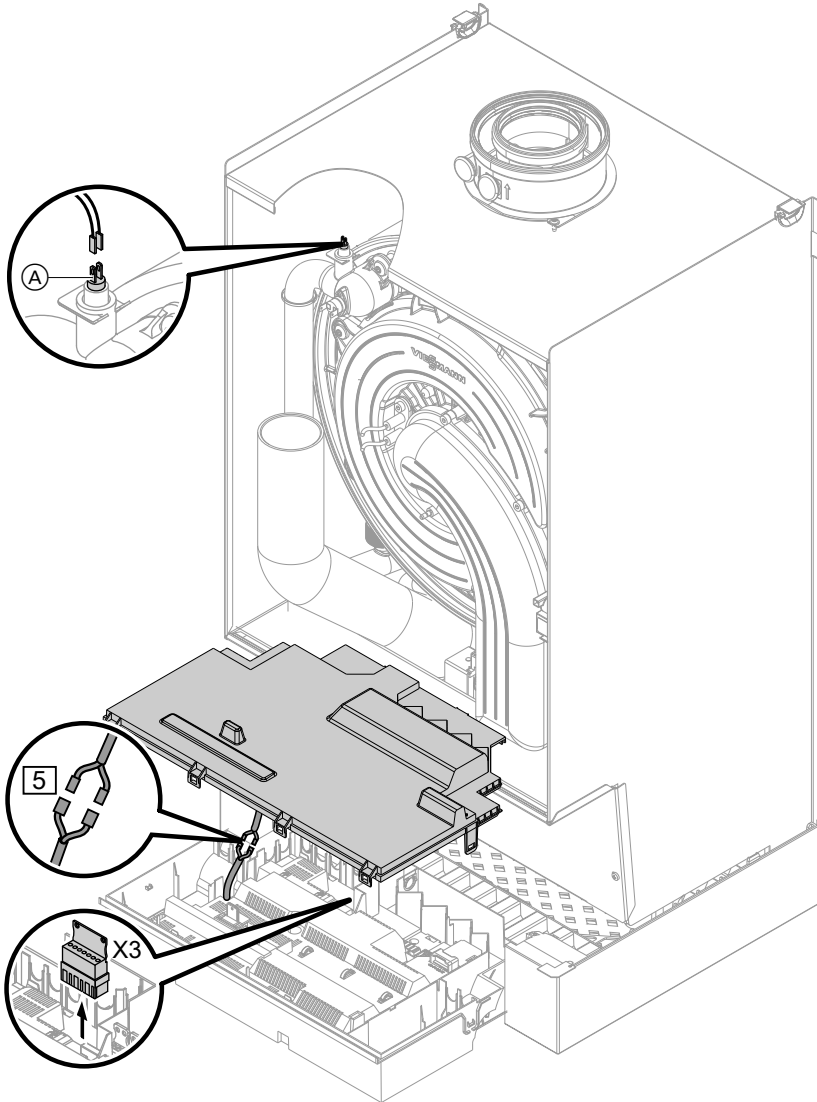


1. Pull plug "X3" from the control unit.

2. Test the resistance of the outside temperature sensor across terminals "X3.1" and "X3.2" on the disconnected plug and compare it with the curve.
3. Where actual values deviate severely from the curve values, disconnect the wires at the sensor and repeat test on the sensor itself.
4. Subject to result, replace the lead or the outside temperature sensor.

Repairs (cont.)

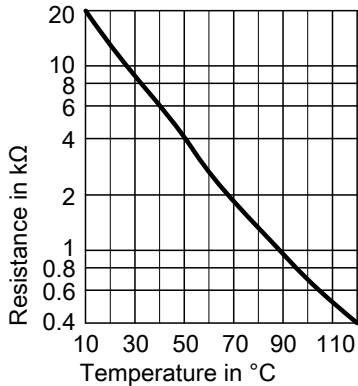
Checking the boiler water temperature sensor, the cylinder temperature sensor or the flow temperature sensor for the low loss header



5692 643 GB

Repairs (cont.)

1. ■ Boiler water temperature sensor: Pull the leads from boiler water temperature sensor (A) and check the resistance.
■ Cylinder temperature sensor: Pull plug [5] from the cable harness at the control unit and check the resistance.
■ Flow temperature sensor: Pull plug "X3" from the control unit and check the resistance across terminals "X3.4" and "X3.5".



2. Check the sensor resistance and compare the actual values with the curve.
3. Replace the sensor in case of severe deviation.



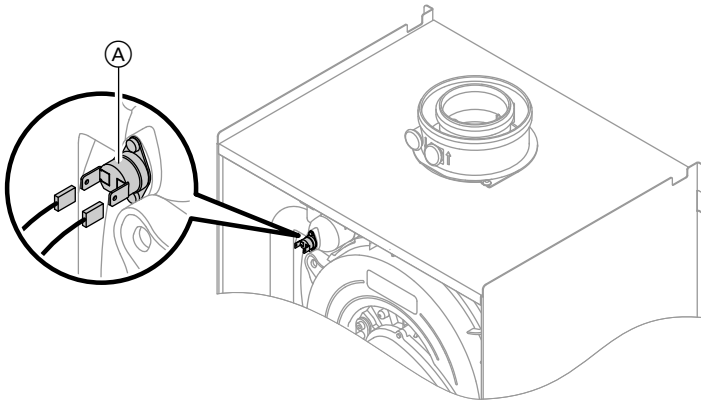
Danger

The boiler water temperature sensor is immersed in the heating water (risk of scalding).
Drain the boiler before replacing the sensor.

Checking the temperature limiter

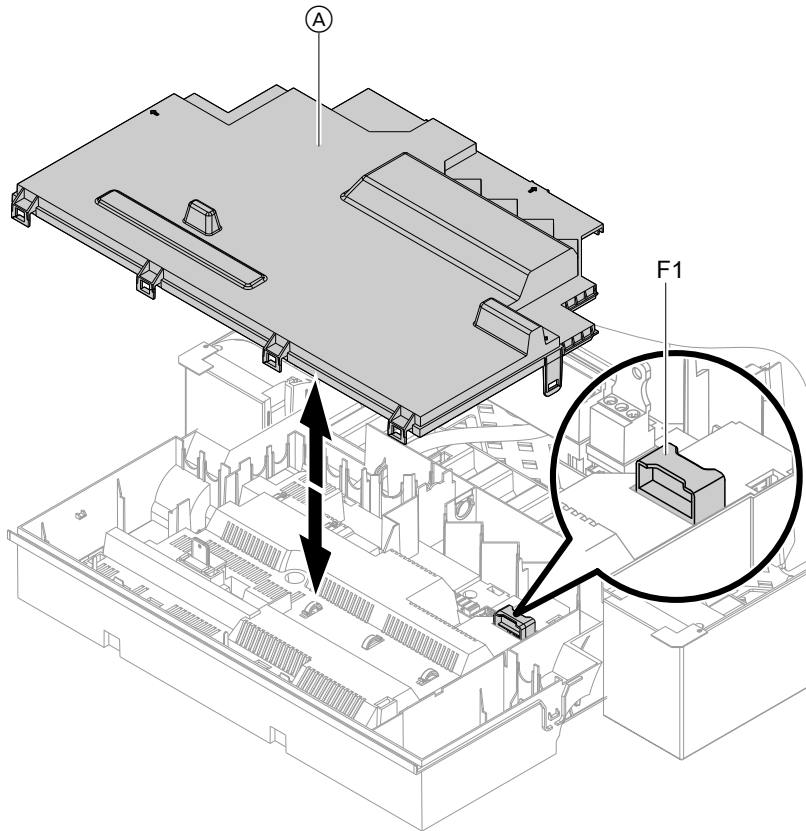
Check the temperature limiter, if the burner control unit cannot be reset after a fault shutdown, although the boiler water temperature is below approx. 75 °C.

Repairs (cont.)



1. Pull the leads from temperature limiter **A**.
2. Check the continuity of the temperature limiter with a multimeter.
3. Remove the faulty temperature limiter.
4. Install a new temperature limiter.
5. After commissioning, press reset button **R** on the control unit.

Checking the fuse



1. Switch OFF the power.
2. Release the side closures and pivot the control unit down.
3. Remove cover (A).
4. Check fuse F1 (see connection and wiring diagram).

Repairs (cont.)


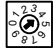
Extension kit for heating circuit with mixer

Checking the setting of rotary selector S1

The rotary selector on the PCB of the extension kit defines the assignment to the relevant heating circuit.

Note the rotational direction of the mixer motor during its self-test. Then set the mixer manually to "Open" again.

Note
The flow temperature sensor must now capture a higher temperature. If the temperature drops, either the motor is turning in the wrong direction or the mixer set is incorrectly fitted.

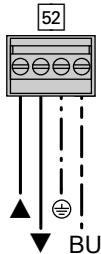
Heating circuit	Rotary selector S1 setting
Heating circuit with mixer M2 (heating circuit 2)	2 
Heating circuit with mixer M3 (heating circuit 3)	4 

 Mixer installation instructions


Checking the rotational direction of the mixer motor

After being switched ON, the boiler implements a self-test. During this, the mixer is opened and closed again.

Changing the rotational direction of the mixer motor (if required)



1. Remove the upper casing cover of the extension kit.

 **Danger**
An electric shock can be life-threatening. Before opening the boiler, disconnect from the mains voltage, for example at the fuse or the main isolator.

2. At plug 52, swap the cores at terminals "▲" and "▼".



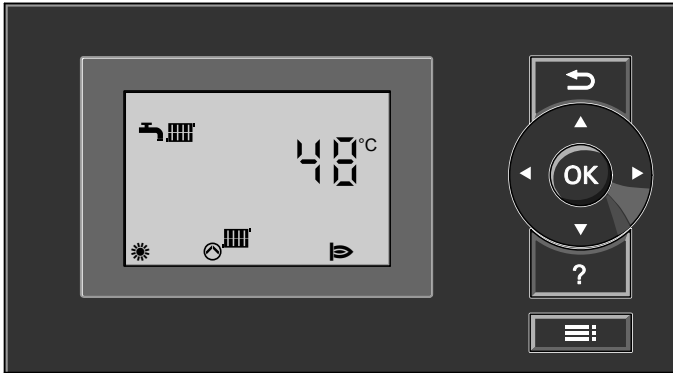
Repairs (cont.)

3. Refit the casing cover.

Checking the Vitotronic 200-H (accessories)

The Vitotronic 200-H is connected to the control unit via the LON. To test the connection, carry out a subscriber check at the boiler control unit (see page 38).

Constant temperature control unit



Heating mode

The selected set boiler water temperature will be maintained when a demand is being raised by the room thermostat and the heating program is set to DHW and central heating "☀️➡️".

The boiler water temperature will be maintained at the default frost protection temperature when there is no demand.

The electronic temperature limiter inside the burner control unit limits the boiler water temperature to 82 °C.

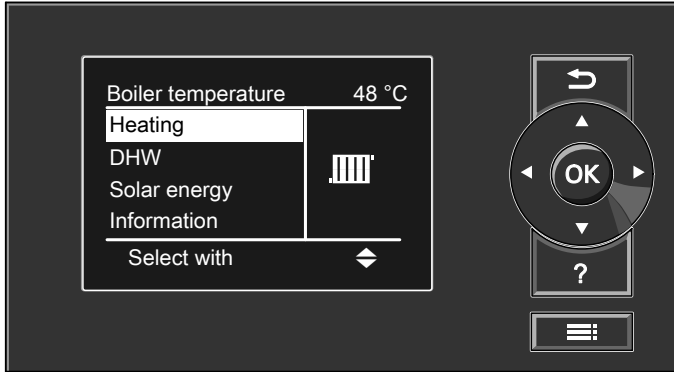
Flow temperature setting range: 20 to 74 °C.

DHW heating

The burner and the circulation pump for cylinder heating are started if the cylinder temperature lies 2.5 K below the set cylinder temperature.

In the delivered condition, the set boiler water temperature is 20 K higher than the set DHW temperature (adjustable via coding address "60"). The burner will be switched OFF and the circulation pump run-on time will begin, if the actual cylinder temperature exceeds the set cylinder temperature by 2.5 K.

Weather-compensated control unit



Heating mode

The control unit determines a set boiler water temperature subject to outside temperature or room temperature (if a room temperature-dependent remote control is connected) and to the slope/level of the heating curve.

The determined set boiler water temperature is transferred to the burner control unit. From the set and actual boiler water temperatures, the burner control unit calculates the modulation level and regulates the burner accordingly.

The electronic temperature limiter inside the burner control unit limits the boiler water temperature to 82 °C.

DHW heating

The burner and the circulation pump for cylinder heating are started if the cylinder temperature lies 2.5 K below the set cylinder temperature.

In the delivered condition, the set boiler water temperature is 20 K higher than the set DHW temperature (adjustable via coding address "60"). The burner will be switched OFF and the circulation pump run-on time will begin, if the actual cylinder temperature exceeds the set cylinder temperature by 2.5 K.

Weather-compensated control unit (cont.)

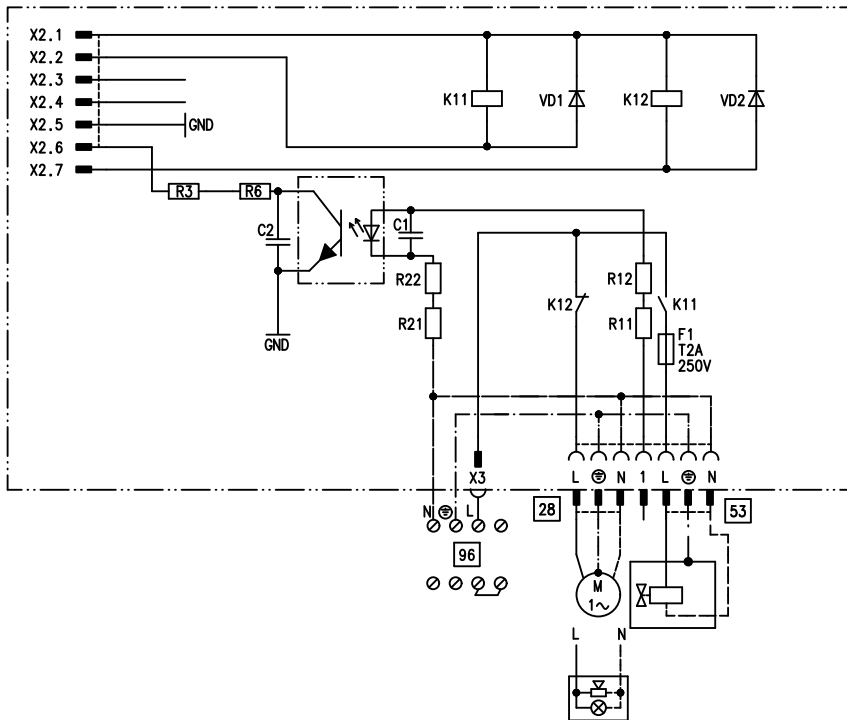
Boosting DHW heating

The booster heating function is activated if a switching period is selected for the fourth time phase.

The set temperature value for the heating boost is adjustable in coding address "58".

Internal extensions (accessories)

Internal extension H1



The internal extension is integrated into the control unit housing. The following alternative functions can be connected to relay output 28. The function is allocated via coding address "53":

- Central fault message (coding address "53:0")
- DHW circulation pump (coding address "53:1") (only for weather-compensated operation)

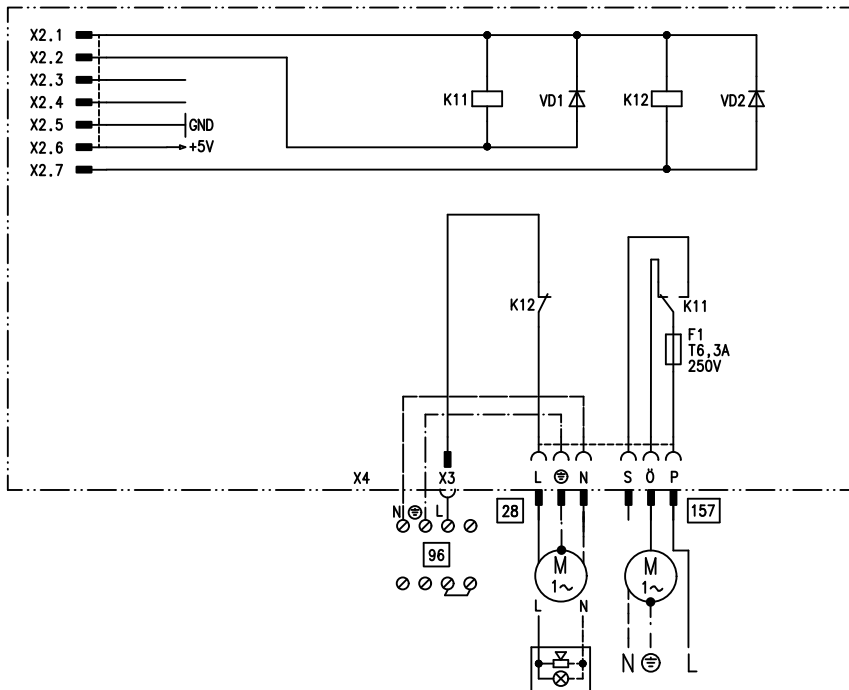


Function description

Internal extensions (accessories) (cont.)

- Heating circuit pump for a heating circuit without mixer (coding address "53:2")
 - Circulation pump for cylinder heating (coding address "53:3")
- An external safety valve can be connected to **53**.

Internal extension H2



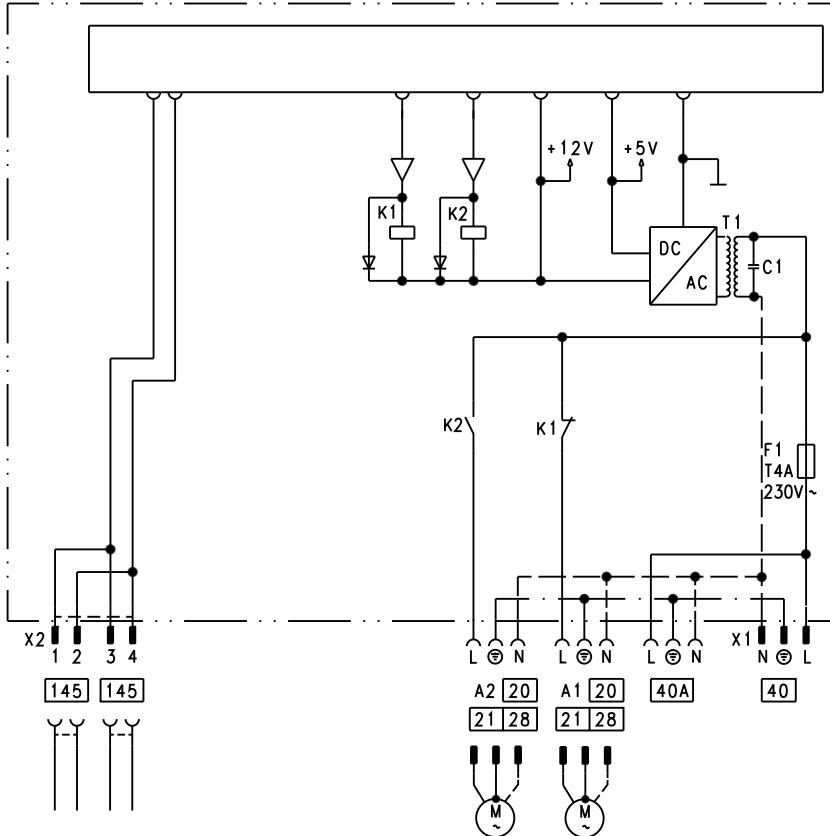
The internal extension is integrated into the control unit housing. The following alternative functions can be connected to relay output **28**. The function is allocated via coding address "53":

- Central fault message (coding address "53:0")
- DHW circulation pump (coding address "53:1") (only for weather-compensated operation)

- Heating circuit pump for heating circuit without mixer (coding address "53:2")
 - Circulation pump for cylinder heating (coding address "53:3")
- An extractor can be switched OFF via connection **157** when the burner starts.

External extensions (accessories)

Extension AM1



- A1 Circulation pump
- A2 Circulation pump
- 40 Power supply [terminals]

- 40A Power supply terminal for additional accessories
- 145 KM BUS

Function description

External extensions (accessories) (cont.)

Functions

One of the following circulation pumps can be connected to each of the terminals A1 and A2:

- Heating circuit pump for the heating circuit without mixer
- Circulation pump for cylinder heating
- DHW circulation pump

Allocating functions for outputs A1 and A2

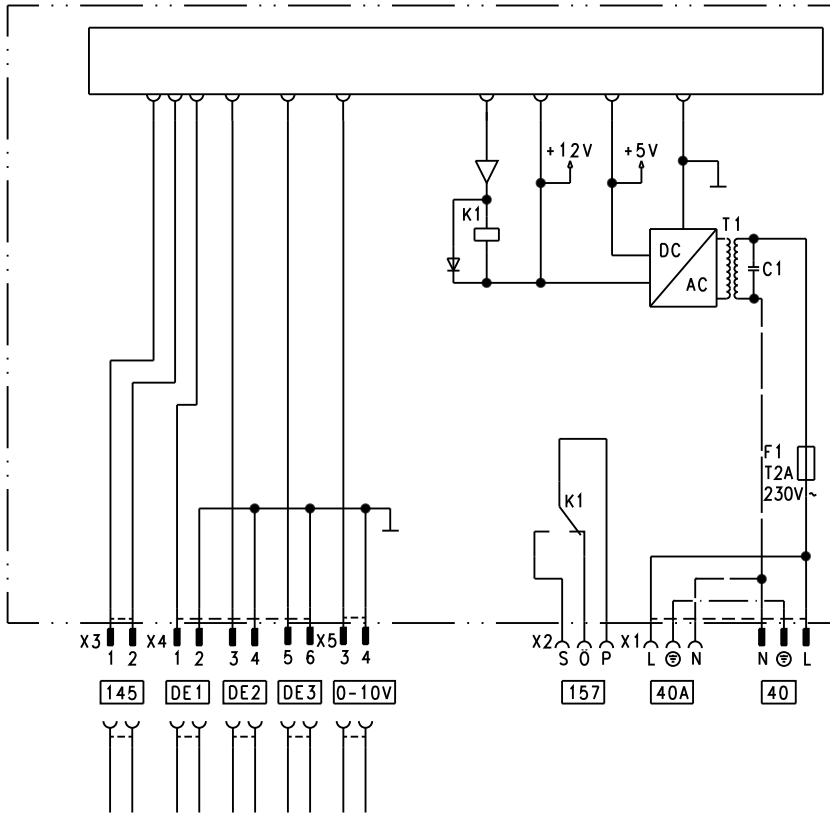
Select the function for these outputs via the codes on the boiler control unit:

- Output A1: Code 33
- Output A2: Code 34

Function	Code	
	Output A1	Output A2
DHW circulation pump 28	33:0	34:0 (delivered cond.)
Heating circuit pump 20	33:1 (delivered cond.)	34:1
Circulation pump for cylinder heating 21	33:2	34:2

External extensions (accessories) (cont.)

Extension EA1



- DE1 Digital input 1
- DE2 Digital input 2
- DE3 Digital input 3
- 0 - 10 V 0 - 10 V input
- 40 Power supply [terminals]
- 40A Power supply terminal for additional accessories

- 157 Central fault message/feed pump/DHW circulation pump (zero volt)
- 145 KM BUS

External extensions (accessories) (cont.)

Digital data inputs DE1 to DE3

The following functions can be connected alternatively:

- External heating program changeover for each heating circuit
- External blocking
- External blocking with fault message input
- External demand with minimum boiler water temperature
- Fault message input
- Brief operation of the DHW circulation pump

The hooked-up contacts must correspond to protection class II.

Input function assignment

Select the input functions via the codes on the boiler control unit:

- DE1: Code 3A
- DE2: Code 3b
- DE3: Code 3C

Assigning the heating program changeover function to the heating circuits

Assign the heating program changeover function for the respective heating circuit via code d8 at the boiler control unit:

- Changeover via input DE1: Code d8:1
- Changeover via input DE2: Code d8:2
- Changeover via input DE3: Code d8:3

Select the effect of the heating program changeover via code d5:
Set the duration of the changeover via code F2.

Effect on the pumps of external blocking function

The effect on the internal circulation pump is selected with code 3E.
The effect on the relevant heating circuit pump is selected with code d6.
The effect on an external circulation pump for cylinder heating (connection to extension AM1) is selected with code 5E.

Effect on the pumps of the external demand function

The effect on the internal circulation pump is selected with code 3F.
The effect on the relevant heating circuit pump is selected with code d7.
The effect on an external circulation pump for cylinder heating (connection to extension AM1) is selected with code 5F.

DHW circulation pump runtime for brief operation

The runtime is set in code 3d.

Analogue input 0 - 10 V

The 0 – 10 V hook-up provides an additional set boiler water temperature:
0 - 1 V taken as "no default set boiler water temperature".

1 V ≙ set value 10 °C

10 V ≙ set value 100 °C

External extensions (accessories) (cont.)

Output 157

The following functions can be connected to output 157:

- Feed pump to substation
or
- DHW circulation pump
or
- Fault message facility

Function assignment

Select the function of output 157 via code 36 at the boiler control unit.

Control functions

External heating program changeover

The "External heating program changeover" function is connected via extension EA1. There are 3 inputs available at extension EA1 (DE1 to DE3).

The function is selected via the following codes:

Heating program changeover	Code
Input DE1	3A:1
Input DE2	3b:1
Input DE3	3C:1

Assign the heating program changeover function for the respective heating circuit via code d8 at the boiler control unit:

Heating program changeover	Code
Changeover via input DE1	d8:1
Changeover via input DE2	d8:2
Changeover via input DE3	d8:3

You can select which direction the heating program changeover takes in coding address "d5":

Function description

Control functions (cont.)

Heating program changeover	Code
Changeover towards "Permanently reduced" or "Permanent standby" mode (subject to the selected set value)	d5:0
Changeover towards "Constant heating mode"	d5:1

The duration of the heating program changeover can be adjusted in coding address "F2":

Heating program changeover	Code
No heating program changeover	F2:0
Duration of the heating program changeover 1 to 12 hours	F2:1 to F2:12

The heating program changeover stays enabled for as long as the contact remains closed, but at least as long as the duration selected in coding address "F2".

External blocking

The "External blocking" and "External blocking and fault message input" functions are connected via extension EA1. There are 3 inputs available at extension EA1 (DE1 to DE3).

The function is selected via the following codes:

External blocking	Code
Input DE1	3A:3
Input DE2	3b:3
Input DE3	3C:3

External blocking and fault message input	Code
Input DE1	3A:4
Input DE2	3b:4
Input DE3	3C:4

The effect on the internal circulation pump is selected with code 3E.

The effect on the relevant heating circuit pump is selected with code d6.

Control functions (cont.)

External demand

The "External demand" function is connected via extension EA1. There are 3 inputs available at extension EA1 (DE1 to DE3).

The function is selected via the following codes:

External demand	Code
Input DE1	3A:2
Input DE2	3b:2
Input DE3	3C:2

The effect on the internal circulation pump is selected with code 3F.
The effect on the relevant heating circuit pump is selected with code d7.

The minimum set boiler water temperature in case of external demand is selected in coding address "9b".

Venting program

During the venting program, the circulation pump will be alternately switched ON and OFF for 30 s respectively over a period of 20 min.

The burner is switched OFF during the venting program.
Activate venting program: See "Venting the heating system".

Screed drying function

The screed function enables screeds to be dried. For this, always observe the details specified by the screed manufacturer.

When the screed drying function is activated, the heating circuit pump of the mixer circuit is switched ON and the flow temperature will be held in accordance with the selected profile. After completion (30 days), the mixer circuit will again be regulated automatically via the set parameters.

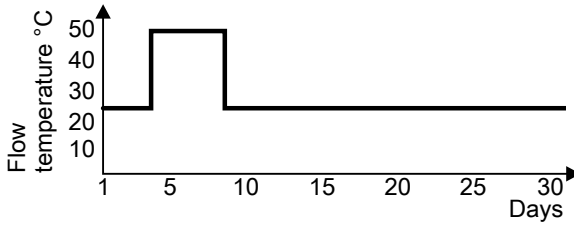
Observe EN 1264. The report to be provided by the heating contractor must contain the following heat-up details:

- Heat-up data with respective flow temperatures
 - Max. flow temperature achieved
 - Operating conditions and outside temperature during handover
- The various temperature profiles are adjustable via coding address "F1".
The function continues after power failure or after the control unit has been switched OFF. "Heating and DHW" will be started after the screed drying function has been terminated or if code "F1:0" is manually adjusted.

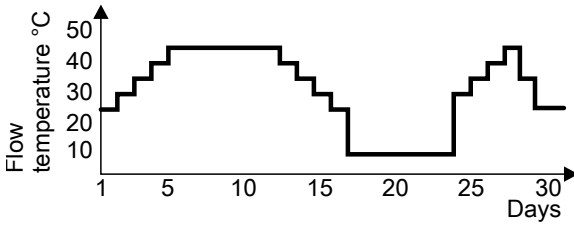
Function description

Control functions (cont.)

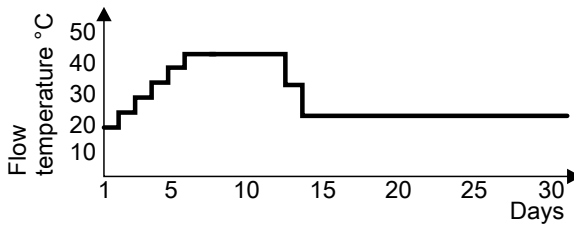
Temperature profile 1: (EN 1264-4) code "F1:1"



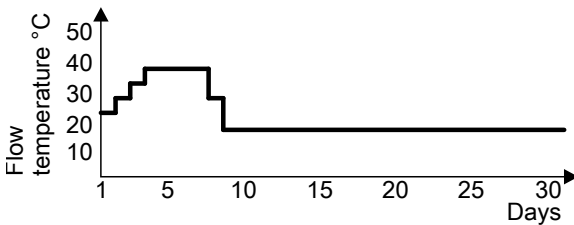
Temperature profile 2: (ZV parquet and flooring technology) code "F1:2"

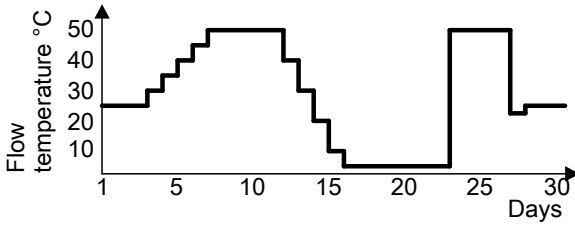
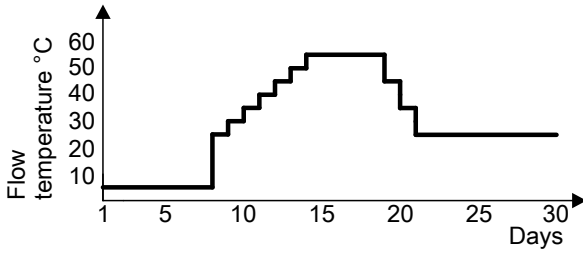
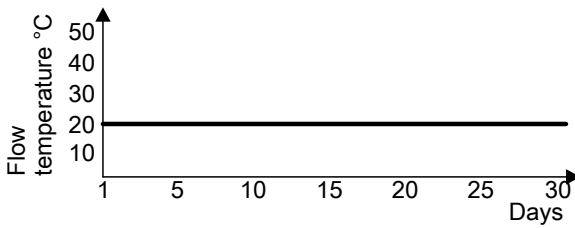


Temperature profile 3: Code "F1:3"



Temperature profile 4: Code "F1:4"



Control functions (cont.)**Temperature profile 5: Code "F1:5"****Temperature profile 6: Code "F1:6"****Temperature profile 7: Code "F1:15"**

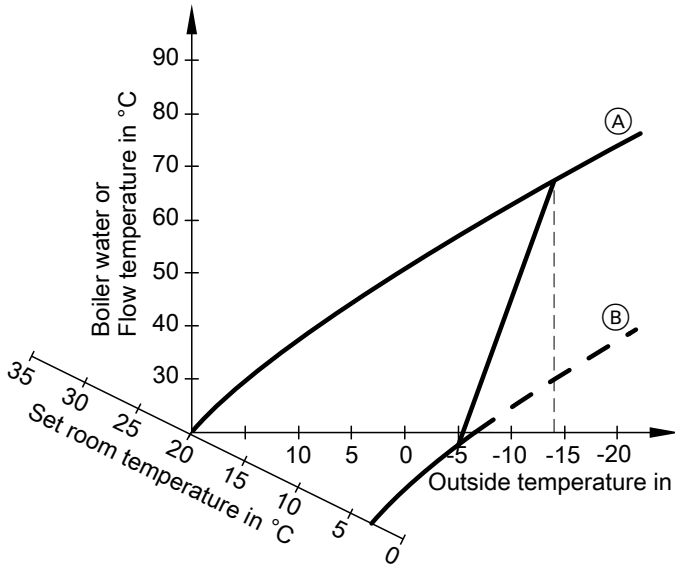
Control functions (cont.)

Raising the reduced room temperature

During operation with reduced room temperature, the reduced set room temperature can be automatically raised subject to the outside temperature. The temperature is raised in accordance with the selected heating curve, but no higher than the set standard room temperature.

The outside temperature limits for the start and end of the temperature raising can be adjusted via coding addresses "F8" and "F9".

Example using the settings in the delivered condition



Ⓐ Heating curve for operation with standard room temperature

Ⓑ Heating curve for operation with reduced room temperature

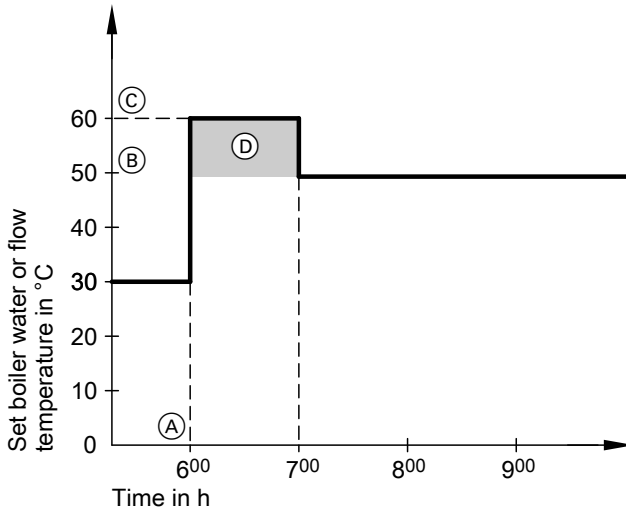
Control functions (cont.)

Reducing the heat-up time

During the transition from operation with reduced room temperature to operation with standard room temperature, the boiler water or flow temperature will be raised in accordance with the selected heating curve. The boiler water or flow temperature can be automatically increased.

The value and duration of the additional increase of the set boiler water or flow temperature can be adjusted in coding addresses "FA" and "Fb".

Example using the settings in the delivered condition



- (A) Start of operation with standard room temperature
- (B) Set boiler water or flow temperature in accordance with the selected heating curve
- (C) Set boiler water or flow temperature in accordance with coding address "FA":
 $50\text{ °C} + 20\% = 60\text{ °C}$
- (D) Duration of operation with raised set boiler water or flow temperature in accordance with coding address "Fb":
60 min

Function description

Assigning the heating circuits to the remote control

The heating circuit assignment must be configured when commissioning the Vitotrol 200A or Vitotrol 300A.

Heating circuit	Configuration	
	Vitotrol 200A	Vitotrol 300A
The remote control affects the heating circuit without mixer A1	H 1	HK1
The remote control affects the heating circuit with mixer M2	H 2	HK2
The remote control affects the heating circuit with mixer M3	H 3	HK3

Note

The Vitotrol 300A can be assigned to one heating circuit, two heating circuits or all three heating circuits.

Electronic combustion controller

The electronic combustion controller utilises the physical correlation between the level of the ionisation current and the air factor λ . For all gas qualities, the maximum ionisation current results with air factor 1.

The ionisation signal is evaluated by the combustion controller, and the air factor is adjusted to between $\lambda=1.24$ and 1.44 . This range provides for an optimum combustion quality. Thereafter, the electronic gas valve regulates the required gas volume subject to the prevailing gas quality.

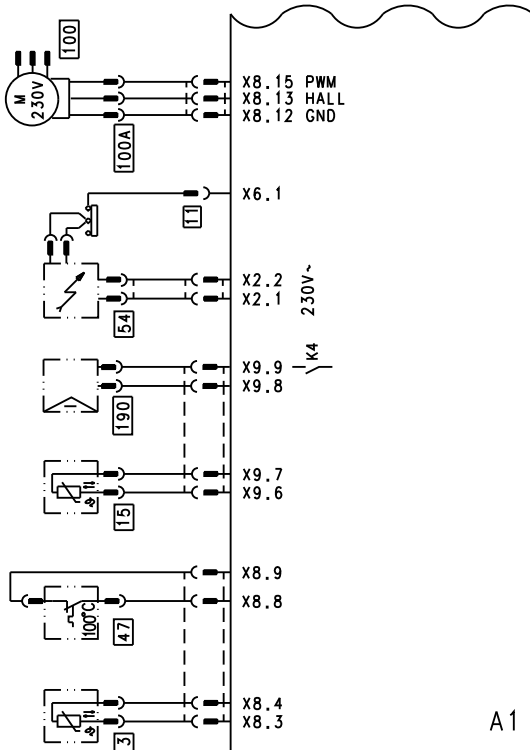
To check the combustion quality, the CO_2 content or the O_2 content of the flue gas is measured. The actual values enable the prevailing air factor to be determined. The relationship between the CO_2 or O_2 content and air factor λ is illustrated in the following table.

Electronic combustion controller (cont.)**Air factor λ – CO₂/O₂ content**

Air factor λ	O ₂ content (%)	CO ₂ content (%) for natural gas H	CO ₂ content (%) for LPG P
1.24	4.4	9.2	10.9
1.27	4.9	9.0	10.6
1.30	5.3	8.7	10.3
1.34	5.7	8.5	10.0
1.37	6.1	8.3	9.8
1.40	6.5	8.1	9.6
1.44	6.9	7.8	9.3

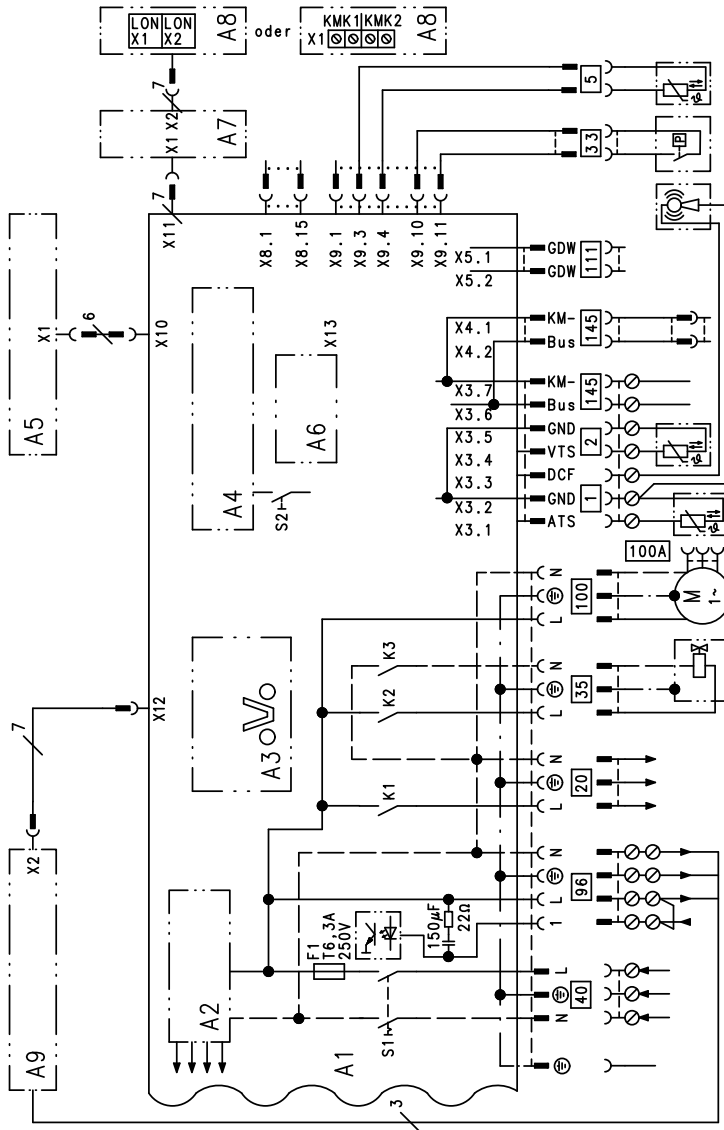
To achieve an optimum combustion control, the system regularly carries out an automatic self-calibration; also after a power failure (shutdown). For this, the combustion is briefly regulated to max. ionisation current (equals air factor $\lambda=1$). The automatic calibration is carried out shortly after the burner start and lasts approx. 5 s. During calibration, higher than normal CO emissions may occur briefly.

Connection and wiring diagram – internal connections



A1	Main PCB	47	Temperature limiter
X...	Electrical interfaces	54	Ignition unit
3	Boiler water temperature sensor	100	Fan motor
11	Ionisation electrode	100A	Fan motor control
15	Flue gas temperature sensor	190	Modulation coil

Connection and wiring diagram – external connections



- | | | | |
|----|-------------------|----|---------------------|
| A1 | Main PCB | A4 | Burner control unit |
| A2 | Power supply unit | A5 | Programming unit |
| A3 | Optolink | A6 | Coding card |

5692.643 GB



Connection and wiring diagram – external... (cont.)

A7	Connection adaptor	20	Heating circuit pump or boiler circuit pump
A8	LON communication module or cascade communication module	33	Flow switch
A9	Internal extension (accessories)	35	Gas solenoid valve
S1	ON/OFF switch	40	Power supply [terminals]
S2	Reset button	96	Power supply accessories and Vitotrol 100
X...	Electrical interfaces	100	Fan motor
1	Outside temperature sensor	111	Gas pressure limiter
2	Flow temperature sensor, low loss header	145	KM BUS
5	Cylinder temperature sensor (plug on the cable harness)		

Parts lists

Spare parts information

Quote the part and serial no. (see type plate) and the item number of the required part (as per this parts list). Obtain standard parts from your local supplier.

001 Quick-action air vent valve	062 Gasket A 16x24x2 (set)
002 Clip Ø 8 (5 pce.)	063 Gas nozzle
003 Lip seal Ø 80	064 Venturi extension type 4
004 Ventilation air gasket Ø 125	100 Control unit
005 Condensate hose	101 Back cover
006 Pressure gauge	102 Fuse
007 Heat exchanger	103 Fuse holder
008 Thermal insulation block	104 Programming unit for weather-compensated mode
009 Condensate hose	105 Boiler coding card for single boiler system
010 Boiler flue connection	106 Boiler coding card for multi-boiler system
011 Gas pipe	109 Programming unit for constant temperature mode
012 Entry grommets (set)	110 LON communication module (accessories)
013 Air vent container	111 PCB adaptor, LON module (accessories)
014 Gasket set	114 Internal connection extension H1
015 Flue gas gasket	115 Locking bolts, left/right
016 Flow switch	116 Slider, left/right
017 Boiler flue connection plug	120 Control unit support
018 Siphon	121 Access guard
019 Heating water flow connection pipe	150 Outside temperature sensor
020 Heating water return connection pipe	151 Thermal circuit breaker
021 Wall mounting bracket	152 Temperature sensor
022 Cover panel with sealing mat	153 Flue gas temperature sensor
023 Heating water return connection pipe	200 Front panel with sealing mat
050 Burner profiled gasket	201 Fixing clip
051 Burner insulation ring	202 Logo
052 Cylinder burner gauze assembly	Wearing parts
053 Burner gauze assembly gasket	054 Ignition electrode
055 Gasket burner flange	065 Ionisation electrode
056 Radial fan	Parts not shown
057 Gas train	112 Cable harness "X8/X9/Ionisation"
058 Burner door	113 Cable harness aux. earth/100/35/54/earth
059 Ignition unit	118 Mating plug
060 Ionisation electrode gasket	119 Cable ties (10 pce.)
061 Ignition electrode gasket	203 Spray paint, Vitowhite

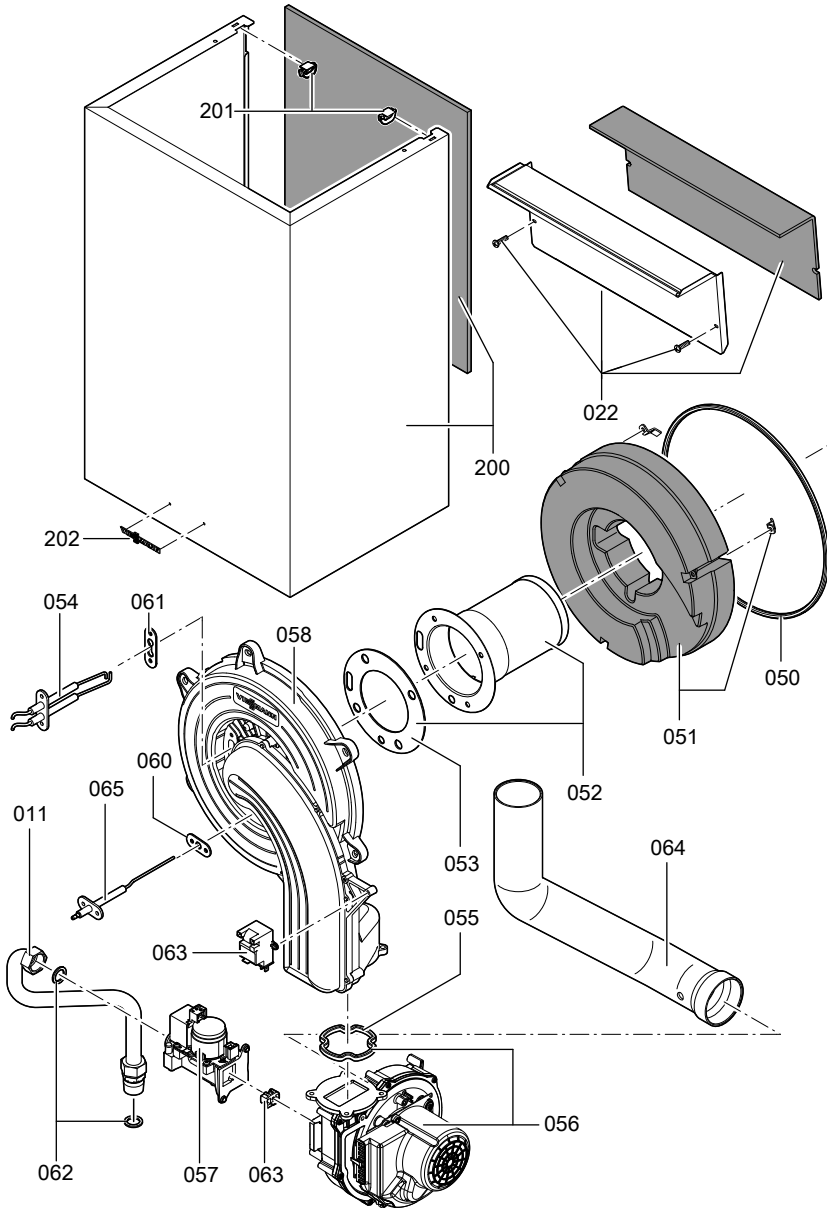


Parts lists

Parts lists (cont.)

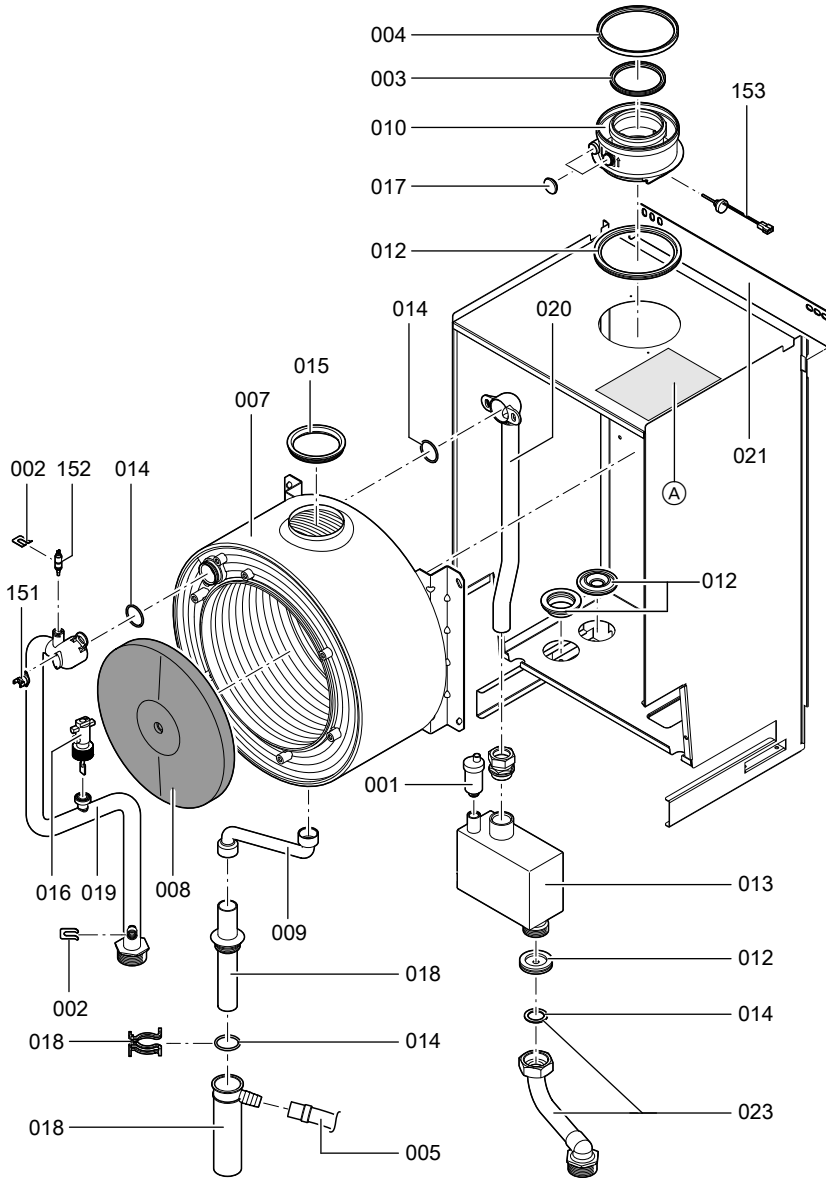
- | | | | |
|-----|--|-----|---|
| 204 | Touch-up paint stick, Vitowhite | 303 | Operating instructions for weather-compensated mode |
| 300 | Installation instructions | Ⓐ | Type plate |
| 301 | Service instructions | | |
| 302 | Operating instructions for constant temperature mode | | |

Parts lists (cont.)

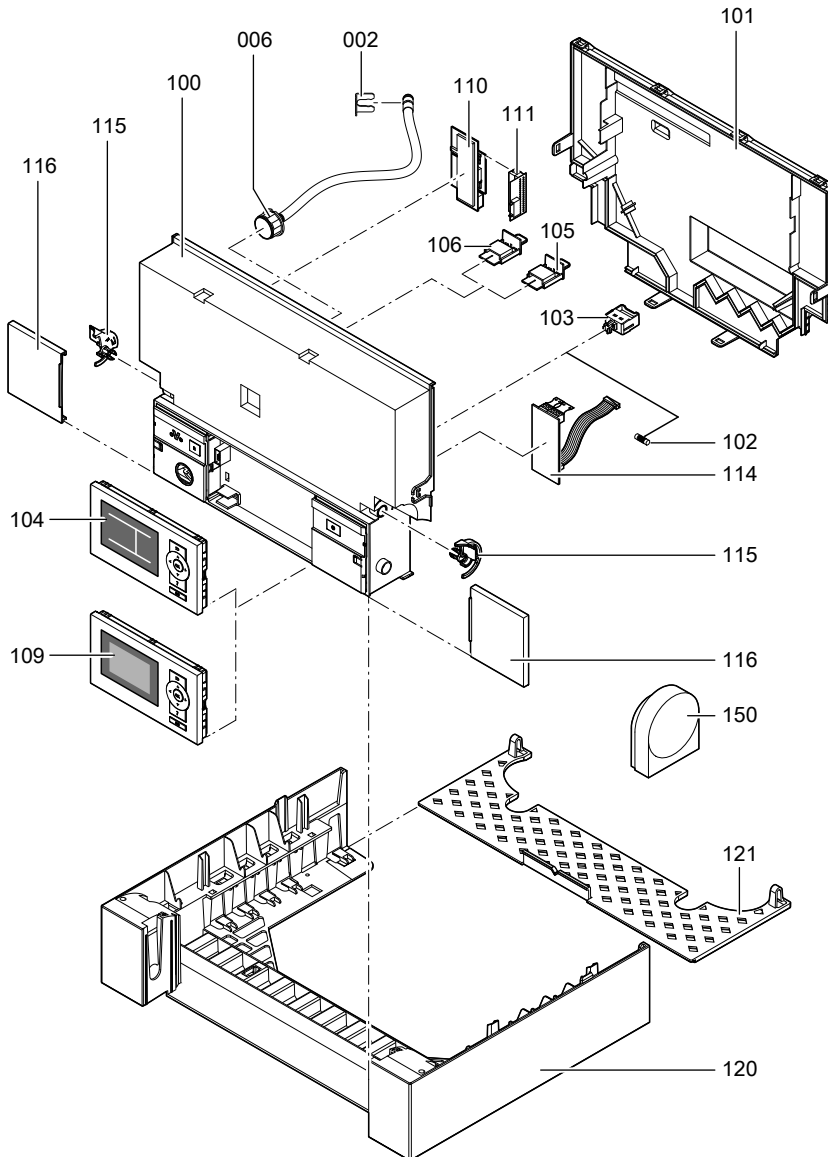


5692 643 GB

Parts lists (cont.)



Parts lists (cont.)



Commissioning/service reports



Setting and test values	Date: By:	Set value	Commissioning	Service
Static pressure	<i>mbar</i>	max. 57.5 mbar		
Supply pressure (flow pressure)				
<input type="checkbox"/> for natural gas H	<i>mbar</i>	17.4-25 mbar		
<input type="checkbox"/> for LPG	<i>mbar</i>	25-47 mbar		
<i>Tick gas type</i>				
Carbon dioxide content CO₂				
■ at lower output	<i>% by vol.</i>			
■ at upper output	<i>% by vol.</i>			
Oxygen content O₂				
■ at lower output	<i>% by vol.</i>			
■ at upper output	<i>% by vol.</i>			
Carbon monoxide content CO				
■ at lower output	<i>ppm</i>			
■ at upper output	<i>ppm</i>			

Specification

Rated voltage:	230 V~	Electronic temperature limiter setting:	82 °C (fixed)
Rated frequency:	50 Hz	Temperature limiter setting:	100 °C (fixed)
Rated current:	6.0 A	Line fuse (mains):	max. 16 A
Safety class:	I		
	IP X 4 D to		
Protection:	EN 60529		

Permissible ambient temperature

- during operation: 0 to +40 °C
- during storage and transport: -20 to +65 °C

Gas boiler, category II _{2N3P}

Rated output range T_v/T_R 50/30 °C	kW	17 - 45	17 - 60
Rated thermal load range	kW	16.1 - 42.2	16.1 - 56.2
Power consumption (max.)	W	30	50
Connection values			
in relation to the max. load			
With			
Natural gas E	m ³ /h	4.47	5.95
Natural gas LL	m ³ /h	5.19	6.91
LPG	kg/h	3.30	4.39
Product ID	CE-0085BR0432		

Note

The supply values are only for documentation purposes (e.g. in the gas contract application) or to estimate the supplementary volumetric settings. Because of factory settings, the gas pressure must not be altered from these settings. Reference: 15 °C, 1013 mbar.

Certificates

Declaration of conformity

Declaration of conformity for the Vitodens 200-W

We, Viessmann Werke GmbH&Co KG, D-35107 Allendorf, confirm as sole responsible body that the product **Vitodens 200-W** complies with the following standards:

EN 483	EN 60 335-1
EN 625	EN 60 335-2-102
EN 677	EN 61 000-3-2
EN 806	EN 61 000-3-3
EN 55 014	EN 62 233

In accordance with the following Directives, this product is designated **CE-0085**:

92/42/EEC	2006/95/EC
2004/108/EC	2009/142/EC

This product meets the requirements of the Efficiency Directive (92/42/EEC) for **condensing boilers**.

Allendorf, 20 January 2010

Viessmann Werke GmbH&Co KG



pp. Manfred Sommer

Manufacturer's certificate according to the 1st BImSchV [Germany]

We, Viessmann Werke GmbH&Co KG, D-35107 Allendorf, confirm that the product **Vitodens 200-W** complies with the NO_x limits specified by the 1st BImSchV paragraph 7 (2) [Germany].

Allendorf, 20 January 2010

Viessmann Werke GmbH&Co KG



pp. Manfred Sommer

Keyword index

A

Acknowledging a fault display.....95

B

Boiler water temperature sensor111

Boosting DHW heating.....119

Brief scans.....87

Burner gauze assembly.....21

Burner installation.....22

Burner removal.....19

C

Calling up fault messages.....95, 96

Calling up the service level.....86

Calling up the service menu.....86

Code 1

■ Calling up.....41

Code 2

■ Calling up.....55

Codes for commissioning.....27

Combustion chamber cleaning.....22

Combustion controller.....132

Commissioning.....9

Commissioning/service report.....142

Commissioning report.....142

Condensate drain.....24

Cylinder temperature sensor111

D

Date setting.....10

Diaphragm expansion vessel.....24

E

Electronic combustion controller.....132

Extension

■ AM1.....121

■ EA1.....123

■ internal H1.....119

■ internal H2.....120

Extension kit for heating circuit with

mixer115

External blocking.....126

External demand.....127

F

Fault codes.....97

Fault history.....95

Fault manager.....38

Fault memory.....95, 96

Faults.....95

Filling the system.....9

Fill water.....9

Function descriptions.....117

Function testing.....92

Fuse.....114

G

Gas supply pressure.....16

Gas train15

Gas type.....12

Gas type conversion.....13

H

Heat exchanger cleaning.....22

Heating curve.....34

Heating curve level.....36

Heating curve slope.....36

Heating program changeover.....125

Heat-up time.....131

Hiding a fault display.....95

I

Ignition.....22

Ignition electrodes.....22

Ionisation electrode.....22

L

Language selection.....10

LON.....37

■ Fault monitoring.....38

■ Setting subscriber numbers.....37

LON communication module.....37

LON subscriber check.....38

M

Manufacturer's certificate144

Keyword index (cont.)

O

Opening the boiler.....8
Output setting.....17
Outside temperature sensor.....109

P

Parts list.....137

R

Reduced room temperature.....37
Reduced room temperature raising. 130
Reducing the heat-up output.....130
Reducing the heat-up time.....131
Relay test.....92
Remote control.....132
Reports.....142
Resetting codes.....41, 55
Room temperature adjustment.....36
Rotational direction of mixer motor
■ Changing.....115
■ Checking.....115

S

Scanning operating conditions.....86
Scanning operating data.....86
Screed drying.....127

Screed drying function.....127
Siphon.....11, 24
Small softening system.....9
Specification143
Standard room temperature.....36
Static pressure.....15
Supply pressure.....15
System pressure.....9
System schemes.....27, 41

T

Temperature limiter112
Thermal switch.....112
Tightness test, balanced flue system.18
Time setting.....10

V

Venting.....10
Venting program.....127
Vitocom 300.....37
Vitotronic 200-H.....37, 116

W

Wiring diagram.....134



Applicability

Vitodens 200-W, type WB2C

17 to 45 kW

from serial no.

7438 087 0 00001

Viessmann Werke GmbH&Co KG
D-35107 Allendorf
Telephone: +49 6452 70-0
Fax: +49 6452 70-2780
www.viessmann.com

17 to 60 kW

from serial no.

7438 089 0 00001

Viessmann Limited
Hortonwood 30, Telford
Shropshire, TF1 7YP, GB
Telephone: +44 1952 675000
Fax: +44 1952 675040
E-mail: info-uk@viessmann.com

5692 843 GB Subject to technical modifications.