

IDEAL ELAN 2 CF 230, CF 240, CF 250, & CF 260

Wall Mounted, Open Flue Gas Boilers.

Installation & Servicing.

CAUTION: To avoid the possibility of injury during the installation, servicing or cleaning of this appliance, care should be taken when handling edges of sheet steel components.

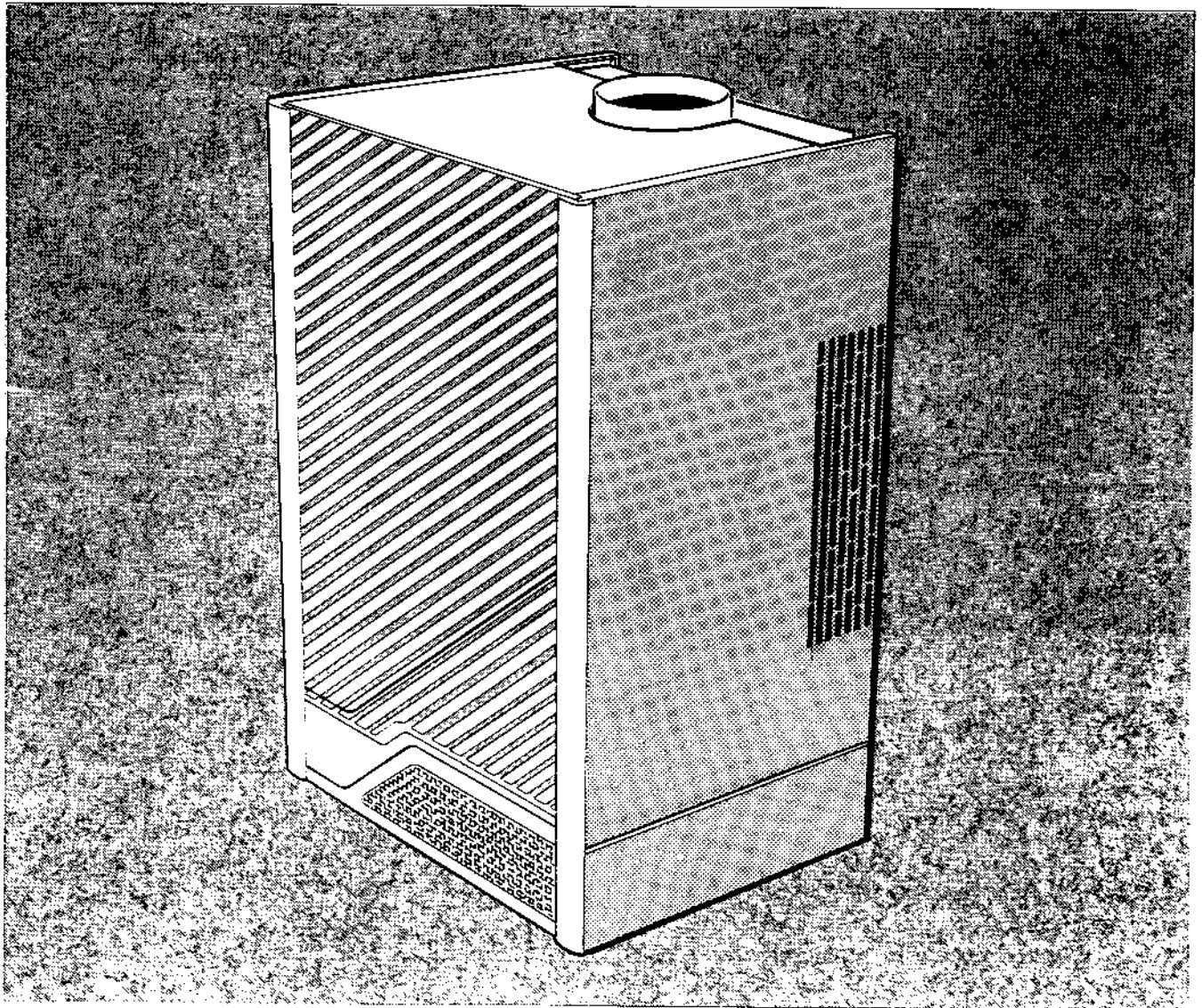
IMPORTANT: The appliances are for use with **NATURAL GAS ONLY.**

Ideal Elan 2

CF 230
CF 240
CF 250
CF 260

G.C. Number

41 429 56
41 429 57
41 429 58
41 429 59



NOTE TO THE INSTALLER: Leave these instructions adjacent to the gas meter or with the user

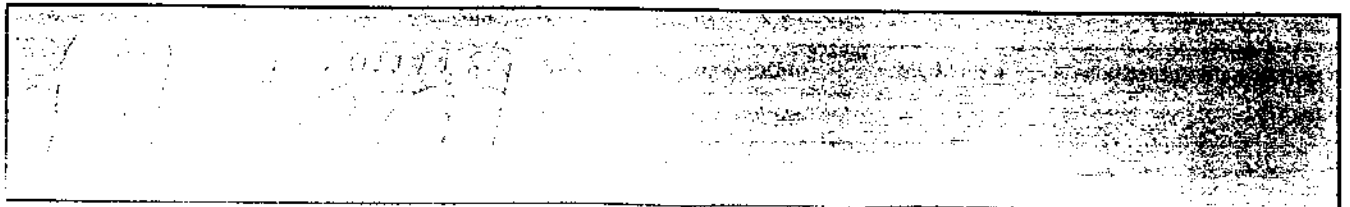


Table 1- GENERAL DATA

Boiler Size			CF 230	CF 240	CF 250	CF 260
Main burner bar			Aeromatic AC 19/123 272	Aeromatic AC 19/123 273	Aeromatic AC 19/123 274	
Gas control			HONEYWELL V 4700E 1072, 240 V			
Burner injector	BRAY		Cat. 16 Size 750	Cat. 16 Size 1200	Cat. 16 Size 1500	Cat. 16 Size 1700
Pilot injector			HONEYWELL 45900421 - 001 STAMPED 38 / 36A			
Gas supply connection (in. BSP)			Rc 1/2 (1/2)			
Flow connection			22 mm copper <i>Compression</i>			
Return connection			22 mm copper <i>Compression</i>			
Flue connection mm (in.)			100 (4)			
Maximum static water head m (ft.)			30.5 (100)			
Minimum static water head m (ft.)			0.45 (1.5)			
Electrical supply			240 V ~ 50 Hz			
External fuse rating			3 A			
Water content litre (gal.)			1.0 (0.22)		1.2 (0.27)	
Dry weight kg (lb)			20.1 (44.3)		20.8 (45.9)	
Maximum installation weight kg (lb)			14.5 (32.0)		15.2 (33.5)	
Boiler size	Height	mm (in.)	600 (24)			
	Width	mm (in.)	380 (15)			
	Depth	mm (in.)	300 (12)			

Table 2- PERFORMANCE DATA

Boiler Size			CF 230	CF 240	CF 250	CF 260
Boiler input	MINIMUM	kW	6.0	11.3	15.2	19.0
		(Btu/h)	(20 500)	(38 500)	(51 900)	(65 000)
To obtain gas consumption						
(a) For l/s; divide heat input (kW) by C.V. of the gas (MJ/m ³).	Gas consumption	l/s (ft ³ /h)	0.15 (19.7)	0.29 (37.1)	0.39 (50.0)	0.49 (62.6)
	MID	kW	8.7	13.2	16.9	20.7
(b) For ft ³ /h; divide heat input (Btu/h) by C.V. of the gas (Btu/ft ³).	Gas consumption	l/s (ft ³ /h)	0.22 (28.7)	0.34 (43.3)	0.44 (55.6)	0.53 (67.9)
	MID	(Btu/h)	(29 800)	(44 900)	(57 700)	(70 500)
Heat inputs are pre-set to the highest nominal rating.						
	MAXIMUM	kW	11.3	15.0	18.8	22.3
		(Btu/h)	(38 500)	(51 200)	(64 100)	(76 000)
	Gas Consumption	l/s (ft ³ /h)	0.29 (37.1)	0.38 (49.3)	0.49 (61.8)	0.58 (73.2)
Boiler output	MINIMUM	kW	4.4	8.8	11.7	14.7
		(Btu/h)	(15 000)	(30 000)	(40 000)	(50 000)
	MID	kW	6.6	10.3	13.2	16.1
		(Btu/h)	(22 500)	(35 000)	(45 000)	(55 000)
	MAXIMUM	kW	8.8	11.7	14.7	17.6
		(Btu/h)	(30 000)	(40 000)	(50 000)	(60 000)
Burner setting pressure (HOT)	MINIMUM	mbar (in.w.g.)	5.3 (2.1)	7.3 (2.9)	8.4 (3.4)	9.7 (3.9)
	MID	mbar (in.w.g.)	10.4 (4.2)	9.6 (3.8)	10.9 (4.4)	11.2 (4.5)
	MAXIMUM	mbar (in.w.g.)	16.3 (6.5)	12.2 (4.9)	12.4 (5.0)	13.0 (5.2)

GENERAL

INTRODUCTION

The **Ideal Elan 2** CF 230, CF 240, CF 250, and CF 260 are wall mounted, lightweight, natural draught, open flue gas boilers.

They are range rated to provide central heating outputs of 4.4kW (15,000 Btu/h) to 17.6 kW (60 000 Btu/h).


The boiler casing is of white enamelled mild steel, with a fascia of satinised white glass. The controls pod, also of white enamelled mild steel, has fixed sides and a removable bottom panel.

The glass fascia slides upwards to reveal the boiler thermostat (in the control box mounted on the gas valve) and the programmer (if fitted).

A **Programmer Kit**, which fits neatly within the casing, is available as an optional extra. Separate fitting instructions are included with the kit.

The boilers are suitable for connection to fully pumped, open vented or sealed water systems. Adequate arrangements for completely draining the system by provision of drain cocks **MUST** be provided in the installation pipework.

Gas Safety (Installation and Use) Regulations, 1984

It is the law that all gas appliances are installed by competent persons (e.g. CORGI, identified by ) in accordance with the above Regulations. Failure to install appliances correctly could lead to prosecution. It is in your own interest, and that of safety, to ensure that the law is complied with.

The installation of the boiler **MUST** also be in accordance with the current I.E.E. Wiring Regulations, the Local Building Regulations, Building Standards (Scotland), the bye laws of the Local Water Undertaking and any relevant requirements of the Local Authority.

Detailed recommendations are contained in the following British Standard Codes of Practice.

BS. 6891	Low pressure installation pipes.
BS. 6798	Installation of gas fired hot water boilers of rated input not exceeding 60 kW.
BS. 5449	Forced circulation hot water systems.
BS. 5546	Installation of gas hot water supplies for domestic purposes (2nd Family gases).
BS. 5440:1	Flues (for gas appliances of rated input not exceeding 60 kW).
BS. 5440:2	Ventilation (for gas appliances of rated input not exceeding 60 kW).

Manufacturers' notes must not be taken in any way as overriding statutory obligations.

IMPORTANT. These appliances are certificated by the British Standards Institution for safety and performance. It is, therefore, important that no external control devices, e.g. flue dampers, economisers, etc., are directly connected to these appliances - unless covered in these 'Installation and Servicing Instructions' or otherwise recommended by Caradon Heating Ltd., in writing. If in doubt please enquire.

Any direct connection of a control device not approved by Caradon Heating Ltd. could invalidate the B.S.I. certification and the normal appliance warranty. It could also infringe the Gas Safety Regulations and the above regulations.

LOCATION OF BOILER

The boiler **MUST** be installed on a flat and vertical external wall, capable of adequately supporting the weight of the boiler and any ancillary equipment.

INTRODUCTION - FLUE INSTALLATION

The boiler may be fitted on a combustible wall and insulation between the wall and boiler is not necessary - unless required by the Local Authority. **THE BOILER IS NOT SUITABLE FOR EXTERNAL INSTALLATION.**

IMPORTANT NOTICE. If the boiler is to be fitted in a timber framed building it should be fitted in accordance with the British Gas publication 'Guide for Gas Installations in Timber Frame Housing', Reference DM2. If in doubt advice must be sought from the Local Gas Region of British Gas.

The boiler should **NOT** be installed in a bedroom and **MUST NOT** be installed in a room containing a bath or shower.

A compartment used to enclose the boiler **MUST** be designed and constructed specially for this purpose. An existing cupboard or compartment may be used, provided it is modified for the purpose. Details of essential features of cupboard / compartment design, including airing cupboard installation are given in BS. 6798.

In siting the boiler, the following limitations **MUST** be observed:

1. The position selected for installation **MUST** allow adequate space for servicing in front of the boiler and for air circulation around the boiler. For the minimum clearances required for safety and subsequent service, see the Wall Mounting Template and Frame 4. In addition sufficient space may be required to allow lifting access onto the wall mounting plate.
2. This position **MUST** also permit the provision of a satisfactory flue termination.

GAS SUPPLY

The Local Gas Region should be consulted at the installation planning stage in order to establish the availability of an adequate supply gas.

An existing service pipe must **NOT** be used without prior consultation with the Local Gas Region.

A gas meter can only be connected by the Local Gas Region, or by a local Gas Region Contractor. An existing meter should be checked, preferably by the Gas Region, to ensure the meter is adequate to deal with the rate of gas supply required.

Installation pipes **MUST** be fitted in accordance with BS. 6891. Pipework from the meter to the boiler **MUST** be of an adequate size.

Do **NOT** use pipes of a smaller size than the boiler inlet gas connection.

The complete installation **MUST** be tested for gas soundness and purged as described in the above Code.

FLUE INSTALLATION

The flue **MUST** be installed in accordance with the recommendations of BS. 5440:1

The following notes are intended for general guidance.

1. The cross-sectional area of the flue serving the boiler **MUST NOT** be less than the area of the flue outlet of the boiler.
2. Flue pipes, and fittings, should be constructed from one of the following materials:
 - (a) Aluminium or stainless steel.
 - (b) Cast Iron, coated on the inside with an acid-resistant vitreous enamel.
 - (c) Other approved material.

GENERAL

- If double walled flue piped is used, it should be of a type acceptable to British Gas.
- If a chimney is to be used, it should preferably be one that is composed of, or lined with, a non-porous, acid resistant material.

Note. Chimneys lined with salt glazed, earthenware pipes are acceptable if the pipes comply with BS.65 and BS.5440:1. A flue pipe constructed from one of the materials in 2 (a), 2 (b) or 2 (c) above should form the initial connection to the lined chimneys. Where a chimney is to be used that is not composed of, or lined with, a non-porous, acid resistant material, it should be lined with a stainless steel flexible flue liner that is acceptable to British Gas. The internal diameter of the liner **MUST NOT** be less than 100mm (4 in.), and the number of joints **MUST** be kept to a minimum.

- Before connecting the boiler to, or inserting a liner into a flue that has been previously used - then the flue **MUST** be thoroughly swept clean of any soot or loose material. If a register plate, restrictor plate or damper, etc., is fitted in the flue then it **MUST** be removed before connecting the boiler to, or inserting a liner into the flue.
- The flue should terminate in accordance with the relevant recommendations given in BS.5440:1.
- The flue **MUST** be fitted with a terminal.

The terminal shall be of a type which has been tested and found satisfactory by British Gas. This terminal **MUST NOT** be installed within 600 mm (24 in.) of an openable window, air vent, or any other ventilation opening.

IMPORTANT. It is absolutely **ESSENTIAL** to ensure, in practice, that the flue discharge is in a down-draught free zone and products of combustion discharging from the terminal cannot re-enter the building or any other adjacent building through ventilators, windows, doors, other sources of natural air infiltration or forced ventilation / air conditioning systems.

Continuous spillage of the products of combustion must NEVER be allowed to issue from the draught diverter relief outlets.

AIR SUPPLY

Detailed recommendations for air supply are given in BS. 5440:2

The following notes are intended for general guidance:

- The room or internal space in which the boiler is installed **MUST** have, or be provided with, a permanent air vent. This vent **MUST** be either direct to outside air or to an adjacent room, or be provided with a permanent air vent of at least the same size, direct to outside air.

The minimum effective area of the permanent air vent(s) are specified below and are related to maximum rated heat input of the boiler.

Table 3.

Boiler size		CF 230	CF 240	CF 250	CF 260
Effective Area	cm (in. ²)	20 (3)	36 (6)	53 (8)	70 (11)

The air vent(s) must **NOT** have provision for closing or adjustment and should be sited to avoid risk of accidental damage or blockage. If other methods of ventilation are envisaged then the Local Gas Region should be requested to advise before proceeding.

FLUE INSTALLATION - AIR SUPPLY

- If the boiler is to be installed in a cupboard or compartment, permanent air vents are required (for combustion, flue dilution and cooling purposes) in the cupboard/ compartment, at both high and low levels to ensure safe and efficient combustion and ventilation. The air vents must either communicate with a room / internal space, appropriately ventilated, or be direct to outside air. The minimum effective areas of the permanent air vents, required in the cupboard/ compartment, are specified as follows and are related to maximum rated heat input.
- Both air vents **MUST** communicate with the same room or internal space, or **MUST** be on the same wall to outside air.
- Where cupboard / compartment air vents are open to a room or internal space then the room or internal space **MUST** itself be provided with a permanent air vent as previously specified.
- The cupboard / compartment air vents **MUST NOT** communicate with a bedroom, bed sitting room or a room containing a bath or shower.
- In siting the air vents care must be taken to avoid the freezing of pipework.

Refer to Tables 4 - 7 for details of air vent position and sizing.

Table 4 - CF 230 AIR SUPPLY

Position of air vent		Air from room/ internal space	Air direct from outside
HIGH LEVEL	cm ² (in ²)	102 (16)	51 (8)
LOW LEVEL	cm ² (in ²)	204 (32)	102 (16)

Table 5 - CF 240 AIR SUPPLY

Position of air vent		Air from room/ internal space	Air direct from outside
HIGH LEVEL	cm ² (in ²)	135 (21)	68 (11)
LOW LEVEL	cm ² (in ²)	270 (42)	135 (21)

Table 6 - CF 250 AIR SUPPLY

Position of air vent		Air from room/ internal space	Air direct from outside
HIGH LEVEL	cm ² (in ²)	170 (27)	85 (14)
LOW LEVEL	cm ² (in ²)	340 (54)	170 (27)

Table 7 - CF 260 AIR SUPPLY

Position of air vent		Air from room/ internal space	Air direct from outside
HIGH LEVEL	cm ² (in ²)	203 (32)	102 (16)
LOW LEVEL	cm ² (in ²)	406 (64)	203 (32)

GENERAL

EFFECT OF AN EXTRACTOR FAN

If there is any type of extract fan fitted in the premises then there is a possibility that, if adequate air inlet area from outside is not provided, spillage of the products from the boiler flue could occur when the fan is in operation. Where such installations occur, a spillage test as detailed in BS.5440:1 MUST be carried out and any necessary action taken.

VENTILATORS IN SERIES

In installations requiring two ventilators to be fitted in series, e.g. across a cavity wall, EACH should be sized in accordance with the above data. Where there are more than two ventilators in series, EACH should have an area 50% in excess of the value quoted above.

WATER CIRCULATION SYSTEM

The boiler must NOT be used for direct hot water supply.

The boiler is suitable for connection to fully pumped open vented or sealed water central heating systems or central heating combined with indirect domestic hot water systems.

The central heating system should be in accordance with BS. 6798 and in addition, for Smallbore and Microbore systems, BS. 5449.

The domestic hot water system, if applicable, should be in accordance with relevant recommendations to BS. 5546.

Copper tubing to BS. 2871: 1 is recommended for water carrying pipework.

The hot water storage cylinder MUST be of the indirect type and should be, preferably, manufactured of copper.

Single-feed, indirect cylinders are not recommended and MUST NOT be used on sealed systems.

The hot water cylinder and ancillary pipework, not forming part of the useful heating surface, should be lagged to prevent heat loss and any possible freezing, particularly where pipes run through roof spaces and ventilated under floor spaces. Draining taps MUST be located in accessible positions, which permit the draining of the whole system, including the boiler and hot water storage vessel.

AIR SUPPLY - UNPACKING

Draining taps should be at least 1/2 in. nominal size and be in accordance with BS. 2879.

The hydraulic resistances of the boilers, at MAXIMUM OUTPUT with an 11°C (20°F) temperature differential, are shown in Table 8.

Table 8 - WATER FLOW RATE AND PRESSURE LOSS

Boiler Size	CF 230	CF 240	CF 250	CF 260	
Boiler output	kW	8.8	11.7	14.7	17.6
	Btu/h	30 000	40 000	50 000	60 000
Water flow rate	l/min	11.4	15.2	19.0	22.8
	gal/h	150	200	250	300
Pressure loss	mbar	27	45	70	102
	in.w.g.	11	18	28	41

ELECTRICAL SUPPLY

Wiring external to the appliance MUST be in accordance with the current I.E.E. Wiring Regulations and any Local Regulations which apply.

The boiler is supplied for 240 V ~ 50 Hz

Single Phase

Fuse Rating is 3 A

The method of connection to the mains electricity supply MUST facilitate complete electrical isolation of the boiler, preferably by the use of a fused, unswitched three pin plug and a shuttered socket outlet, both complying with the requirements of BS. 1363.

Alternatively, a fused double pole switch, having at least a 3 mm (1/8 in.) contact separation in both poles and servicing only the boiler, may be used. The point of connection to the mains should be readily accessible & adjacent to the boiler.

INSTALLATION

UNPACKING

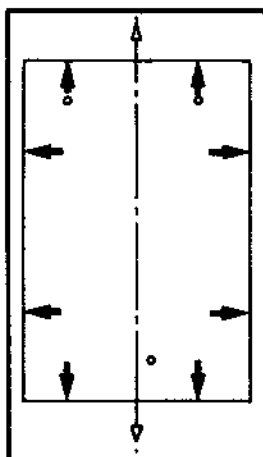
1 UNPACKING

The boiler is supplied fully assembled in one pack 'A'.

PACK 'A' CONTENTS



Complete boiler



Wall mounting template

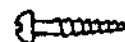
Unpack the boiler and check the contents,

Also contained in Pack 'A'; the Hardware Pack these Installation & Servicing Instructions and the User's Instructions.



Wall mounting plate

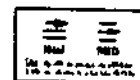
HARDWARE PACK



● 50 mm x No. 10 wood screw, 3 off.

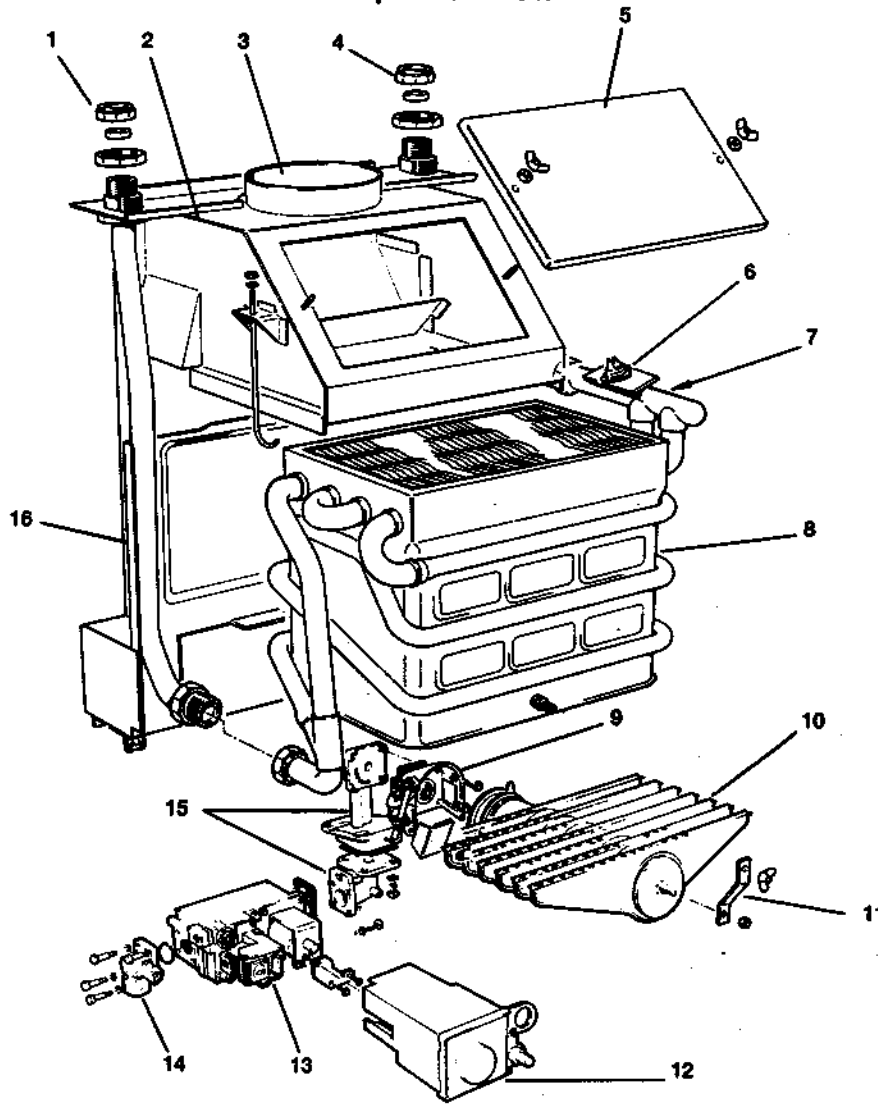


● Wall plug (TP28 brown), 3 off.



● Output setting indicator, 1 off.

2 BOILER ASSEMBLY - Exploded View



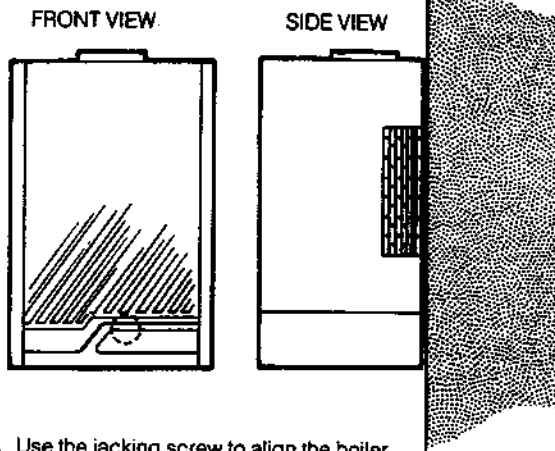
LEGEND

- 1. Return connection.
- 2. Collector hood.
- 3. Flue socket.
- 4. Flow connection.
- 5. Clean out cover.
- 6. Overheat thermostat.
- 7. Control thermostat pocket.
- 8. Heat exchanger.
- 9. Air box and pilot assembly.
- 10. Main burner.
- 11. Burner support bracket.
- 12. Control box.
- 13. Gas control valve.
- 14. Gas service cock.
- 15. Manifold and manifold extension.
- 16. Back panel.

3 WALL MOUNTING AND BOILER CLEARANCES

IMPORTANT. The boiler **MUST** be installed in a vertical position.

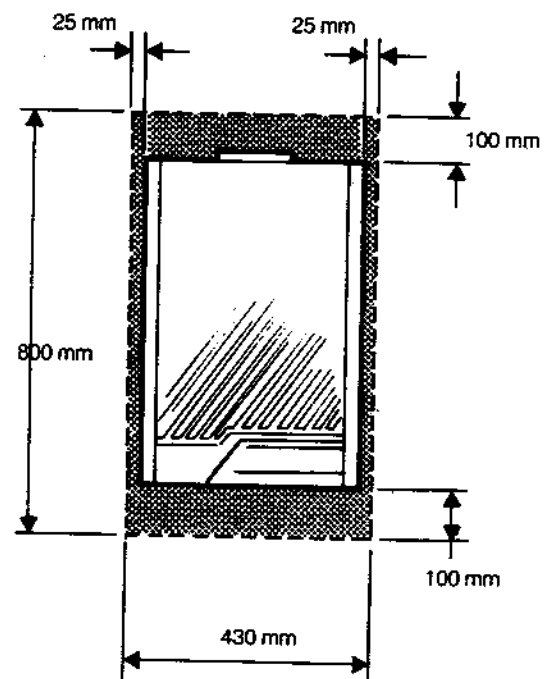
- 1. The wall must be of suitable load-bearing capacity.



- 2. Use the jacking screw to align the boiler.

The following minimum clearances must be maintained for operation and servicing.

Boiler size	Width	Depth	Height
CF 230 to CF 260	430 (17)	300 (12)	800 (32)



Additional space may be required for installation, depending upon site conditions. In addition a minimum of 450 mm (18 in.) **MUST** be available at the front of the boiler for servicing.

INSTALLATION

BOILER CASING REMOVAL - FLUE CONNECTION

4 BOILER CASING REMOVAL

To install the boiler, the casing **MUST** be removed.

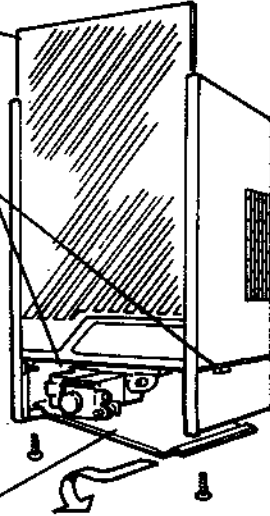
1. Slide the glass fascia upwards until it locates in the retaining catch.

Bottom captive screws, see note 3.

2. Remove the 2 securing screws, slide the bottom panel forward slightly, and then sideways to remove from the casing.

Bottom panel

3. Release the 2 bottom captive screws and lift the casing off the boiler. Place the casing safely to one side, taking care not to damage the glass fascia panel. (Slide the glass panel down in the casing for safe keeping).

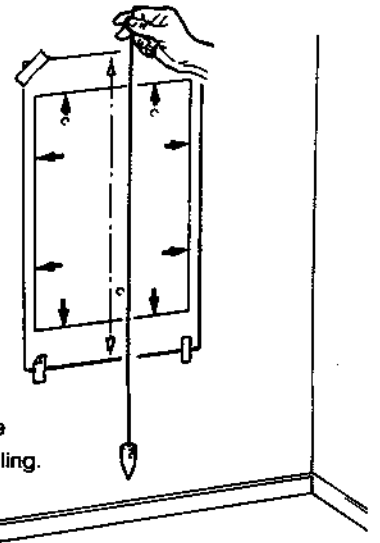


5 PREPARING THE WALL

1. Tape the template into the selected position. Ensure squareness by use of a plumbline - as shown.

2. Mark onto the wall the two mounting plate screw positions and the lower the fixing screw position.

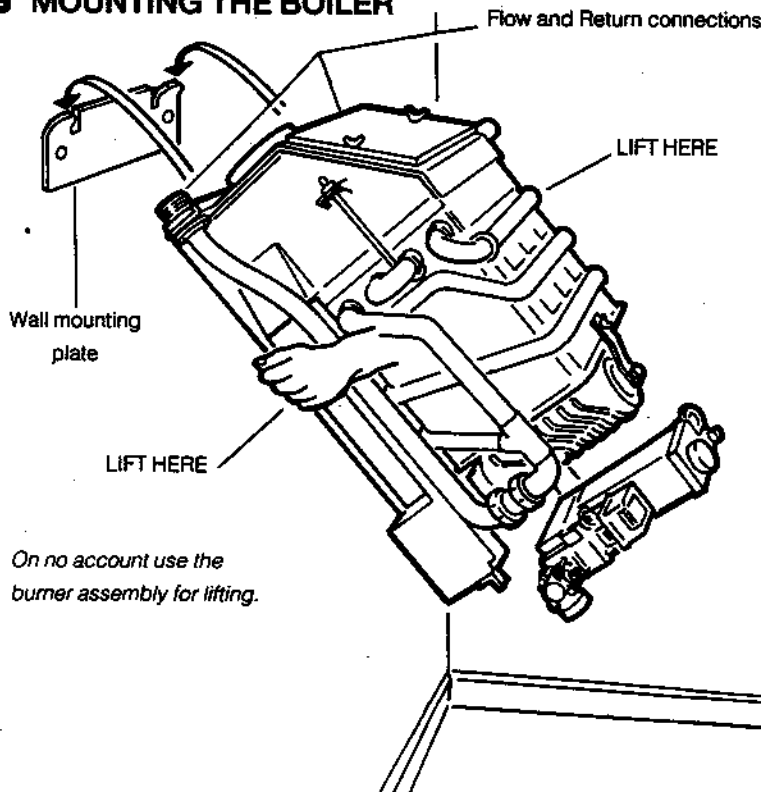
3. Remove the template from the wall.



Note. Check all hole positions before drilling.

4. Drill the three fixing holes with an 8 mm (5/16 in.) masonry drill and insert the plastic plugs provided.
6. Fix the mounting plate to the wall with two of the No. 10 x 2 in. screws provided.

6 MOUNTING THE BOILER



1. Remove the compression nuts and olives. If side access is less than 25 mm (1 in.), fit stub connections to the flow and return connections
2. Lift the boiler onto the wall mounting plate, engaging the two slots in the back panel on the angled tabs on top of the wall mounting plate.

DO NOT USE THE BURNER ASSEMBLY FOR LIFTING.

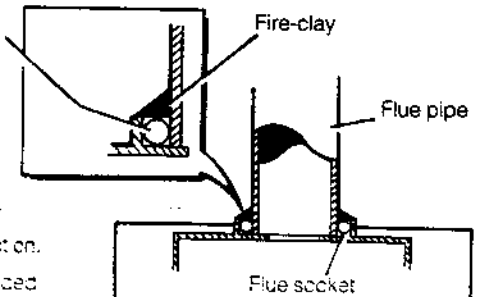
3. Check the boiler alignment using a spirit level and adjust as necessary by tilting the boiler forward at the bottom and then turning the jacking plate. Refer to Frame 3.
4. Locate a No. 10 x 2 in. screw in the boiler lower fixing hole (on the jacking plate) and secure to the wall.

7 FLUE CONNECTION

Connect the flue pipe to the flue outlet. Flue pipe spigot and socket connections should be sealed with fiberglass rope, or similar, and a suitable fireclay cement.

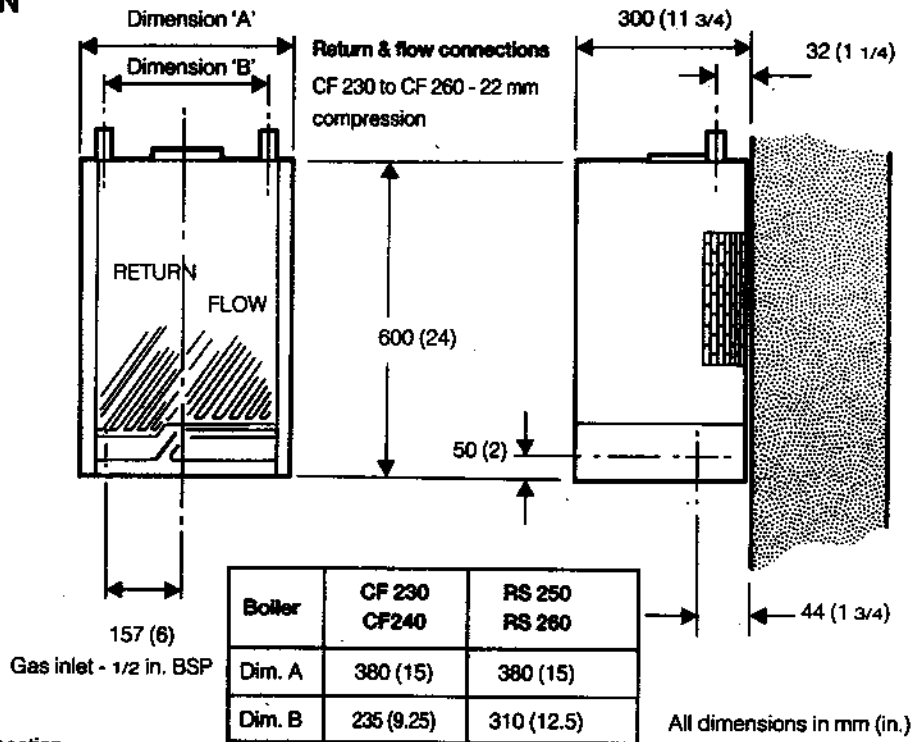
1. The boiler flue connection outlet size is suitable for asbestos flue pipe conforming to BS. 567. If sheet steel flue pipe is fitted then a suitable adaptor should be used.
2. To facilitate installation & subsequent disconnections, it is recommended that a slip or split socket be included in the flue installation adjacent to the boiler flue outlet connection.
3. A minimum of 600 mm (24 in.) of vertical flue directly above the boiler should be provided

Fiberglass rope



8 GAS CONNECTION

1. A **MINIMUM** working gas pressure of 20 mbar (8 in.wg) **MUST** be available at the boiler inlet.
2. Extend a gas supply pipe **NOT LESS THAN 15 mm** O.D. to the boiler and connect to the gas service cock situated at the bottom left hand side of the boiler.
Note. If the pipe run from the meter to the boiler is greater than 3 m (10 ft.), it is recommended that 22 mm O.D. pipe is used.
3. To facilitate connection, it is recommended that the gas service cock is not removed from the gas control valve. A 1/2 in. BSP x 15 mm connector prefitted with a short stub connection should be screwed into the cock using a suitable sealant. Ensure that the gas supply pipe does not foul the boiler casing when fitted.
IMPORTANT. The gas service cock contains a non-metallic seal, so must not be overheated when making capillary connections.
4. Test the gas installation for soundness and purge in accordance with BS. 6891.



9 WATER CONNECTIONS

1. Connect the system flow and return pipework to the two water connections at the top of the boiler.
Note. When the required output exceeds 16.1 kW (55 000 Btu/h) then 28 mm (1 in.) flow and return pipes should be used, both to and from the boiler. On the CF 260 boiler only, connect to the boiler in 22 mm (1/2 in.) pipe and increase to 28 mm (1 in.) as soon as is practical.
2. Ensure that all valves are open, fill and vent the system and check for water soundness.
Note. This appliance is **NOT** suitable for use with a direct hot water cylinder.

10 OPEN VENT SYSTEM REQUIREMENTS

The system should be vented directly off the boiler **FLOW** pipe, as close to the boiler as possible. The cold feed entry should be inverted and **MUST** be positioned between the pump and the vent, and not more than 150 mm (6 in.) away from the vent connection.

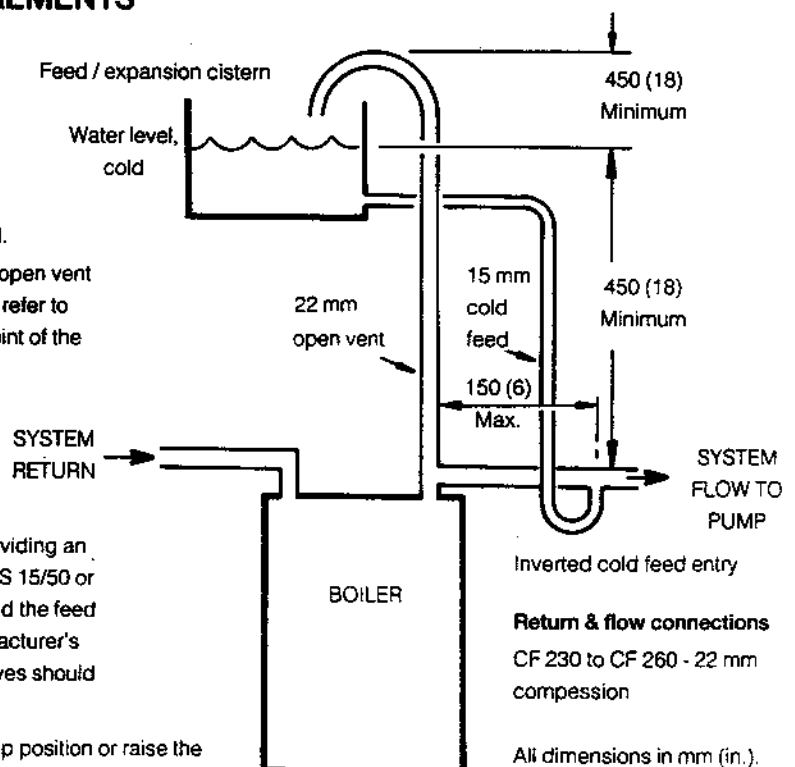
Note. Combined feed and vent pipes may also be fitted.

There should be a minimum height - 450 mm (18 in.) of open vent above the cistern water level. If this is not possible then refer to Frame 12 The vertical distance between the highest point of the system and the feed / expansion cistern water level **MUST** not be less than 450 mm (18 in.)

The pump must be fitted on the flow side of the boiler.

A suitable pump is a domestic circulator capable of providing an 11°C (20°F) temperature differential (e.g. Grundfoss UPS 15/50 or equivalent). The vertical distance between the pump and the feed / expansion cistern **MUST** comply with the pump Manufacturer's minimum requirements to avoid cavitation. Isolation valves should be fitted as close to the pump as possible.

Should these conditions not apply, either lower the pump position or raise the cistern above the minimum requirement specified by Caradon Heating Ltd.



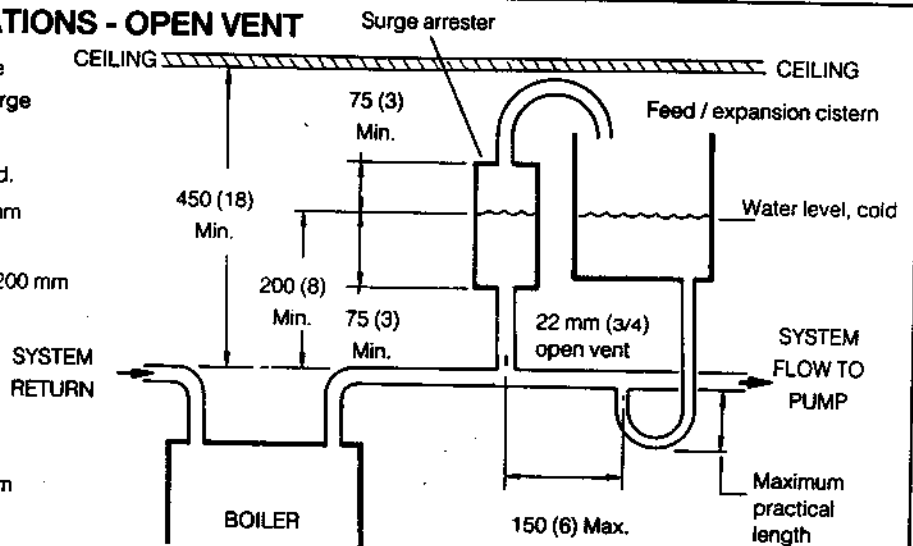
1.1 LOW HEAD INSTALLATIONS - OPEN VENT

The Ideal Elan 2 CF range of boilers can be installed in low head situations by fitting a surge arrester in the expansion pipe.

The following conditions MUST be observed.

1. The surge arrester must be at least 42 mm diameter x 150 mm long.
2. The cistern water level must be at least 200 mm above the highest point of the system.
3. The height of water in the surge arrester must be at least 75 mm.
4. The vent connection must NOT be made directly off the top of the boiler.

Note. The pump manufacturer's minimum requirements must be complied with.



1.2 SCHEMATIC PIPEWORK AND BY-PASS ADJUSTMENT - OPEN VENT

WATER FLOW RATE AND PRESSURE LOSS

Boiler size		CF 230	CF 240	CF 250	CF 260
Boiler output	kW (Btu/h)	8.8 (30 000)	11.7 (40 000)	14.7 (50 000)	17.6 (60 000)
Water flow rate for 11°C differential	l/min. (gal./h)	11.4 (150)	15.2 (200)	19.0 (250)	22.8 (300)
Pressure loss for 11°C differential	mbar (in.w.g)	27 (11)	45 (18)	70 (28)	102 (41)
Water flow rate for 9°C differential	l/min. (gal./h)	13.8 (183)	18.5 (244)	23.2 (306)	27.8 (367)
Pressure loss for 9°C differential	mbar (in.w.g)	40 (16.4)	67 (26.9)	105 (41.8)	152 (61.2)

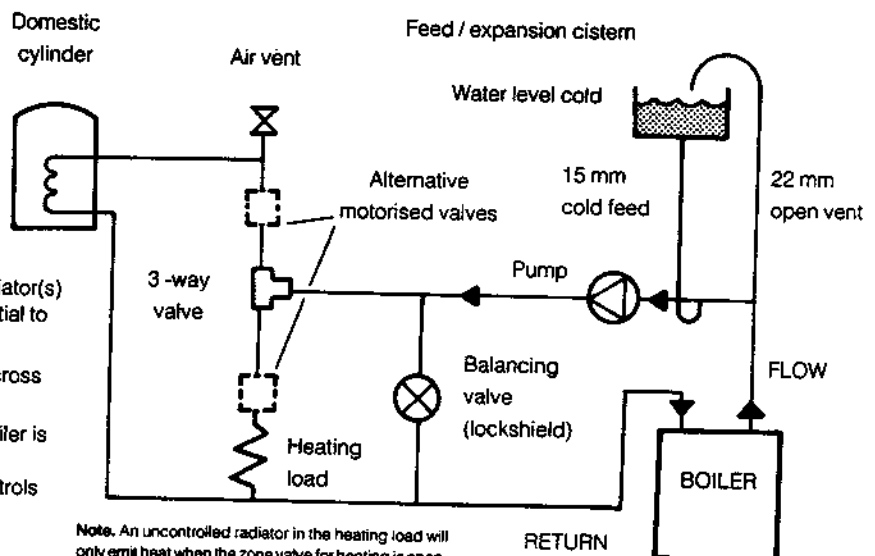
1. The temperature differential across the boiler MUST NOT be more than 11°C.
2. When the CF 260 unit is used, 28 mm (1 in.) flow and return pipes MUST be used - both to and from the boiler.
3. The control system used with the boiler MUST provide a load in circuit with the boiler of at least 10% of the boiler output whenever the boiler fires. In order to achieve this load it may be necessary to provide 'uncontrolled' radiator(s) which cannot be manually turned off by the user.
4. A by-pass MUST be fitted as far from the boiler as possible, consisting of the following:
 - (a) 15 mm pipe not more than 1 metre long for boilers up to 50,000 Btu/h output.
 - (b) 22 mm pipe for boilers of 60,000 Btu/h output

The by-pass should incorporate a balancing valve which CANNOT be adjusted by the householder.

5. The circulating pump used should have adequate performance to give a maximum temperature differential across the boiler of 9°C when the by-pass & the 'uncontrolled' radiator(s) (when fitted) are closed, with either the heating or the domestic hot water controls calling for heat.

BY-PASS ADJUSTMENT

6. With the heating circuit OPEN and the by-pass and 'uncontrolled' radiator(s) (if fitted) CLOSED, set the pump to give a maximum of 9°C differential across the boiler and system. The system should be at full temperature for this operation and this is a convenient point to balance the system flows.
7. Open the valve on the 'uncontrolled' radiator(s) (if fitted) and set its temperature differential to approximately 10°C.
8. Open the by-pass until the differential across the boiler is 11°C.
9. Check that the water flow through the boiler is adequate when the heating controls are satisfied and the domestic hot water controls are calling for heat.



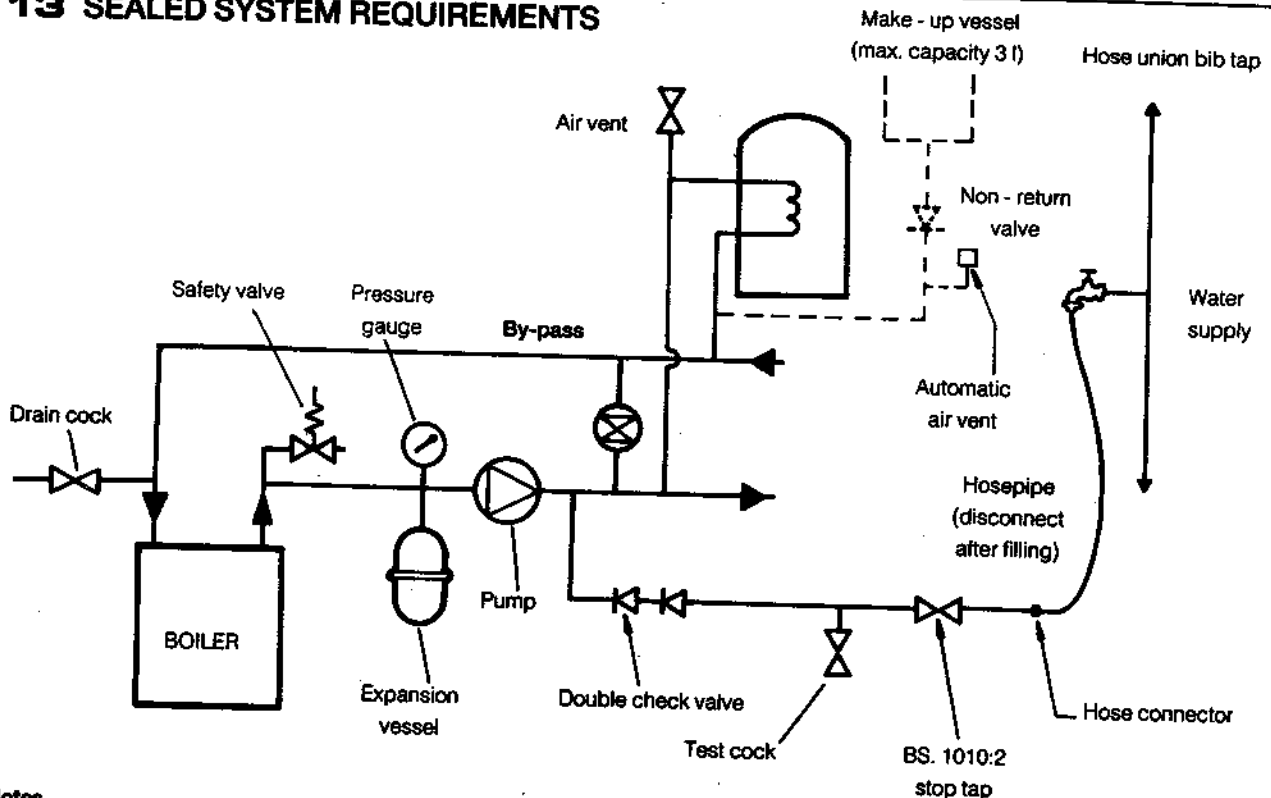
Note. An uncontrolled radiator in the heating load will only emit heat when the zone valve for heating is open.

Thermostatic Radiator Valves

Caradon Heating Ltd. support the recommendations made in BS. 5449 and by leading manufacturers of domestic heating controls that heating systems utilising the full thermostatic radiator valve control of temperature in individual rooms should also be fitted with a room thermostat controlling the temperature in a space served by radiators not fitted with such a valve.

Such an arrangement will provide for a potentially more efficient control of the environment and will also avoid the continuous running of the circulation pump during programmed heating 'ON' periods - thus saving electrical energy. It is therefore strongly recommended that, when thermostatic radiator valves are used, space heating temperature control over a living / dining area or a hallway having a heating requirement of at least 10% of the boiler heat output is achieved using a room thermostat whilst other rooms are individually controlled by thermostatic radiator valves. If a room thermostat is not fitted as described above then it is recommended that the system includes one uncontrolled radiator having a minimum heat loss of 10% of the boiler heat output under design conditions.

13 SEALED SYSTEM REQUIREMENTS



Notes.

- A. Any connection for filling or replenishing of a sealed primary circuit from a supply pipe is conditional upon a water undertaking seeking and obtaining consent for a relaxation of its Byelaws 38.8 (1), from the Secretary of State.
- B. The method of filling, re-filling, topping up or flushing sealed primary hot water circuits from the mains via a temporary hose connection is only allowed if acceptable to the Local Water Authority.

1. General.

- (a) The installation must comply with the requirements of BS. 6798 and BS. 5449.
- (b) The installation should be designed to work with flow temperatures of up to 82° C.
- (c) All components of the system, including the heat exchanger of the indirect cylinder, must be suitable for a working pressure of 3 bar (45 lb.ft. / in²) and temperature of 110° C. Care should be taken in making all connections so that the risk of leakage is minimised.

2. Safety Valve.

A spring loaded safety valve complying with the relevant requirements of BS. 6759 must be fitted in the flow pipe as close to the boiler as possible and with no intervening valve or restriction. The valve should have the following features:

- (a) A non-adjustable pre-set lift pressure not exceeding 3 bar (45 lb.ft. / in²).
- (b) A manual testing device.
- (c) Provision for connection of a discharge pipe.

The valve or discharge pipe should be positioned such that the discharge of water or steam cannot create a hazard to the occupants of the premises, or cause damage to electrical components and wiring.

3. Pressure Gauge.

A pressure gauge covering at least the range 0 - 4 bar (0 - 60 lb.ft. / in²) must be fitted to the system. The gauge should be easily seen from the fitting point and should preferably be connected at the same point as the expansion vessel.

4. Expansion Vessel.

- (a) A diaphragm type expansion vessel must be connected at a point close to the inlet side of the pump, the connecting pipe being not less than 15 mm (1/2 in. nominal) size and not incorporating valves of any sort.
- (b) The vessel capacity must be adequate to accept the expansion of the system water when heated to 110° C (230° F).
- (c) The charge pressure must not be less than the static water head above the vessel. The pressure attained in the system when heated to 110° C (230° F) should be at least 0.35 bar (5 lb.ft. / in²) less than the lift pressure of the safety valve. For guidance on vessel sizing refer to the Table in Frame 14. For further details refer to BS. 5449, BS. 7074:1 & the British Gas Corporation publication - 'Material and Installation Specifications for Domestic Central Heating & Hot Water'.

5. Cylinder.

The cylinder must be either of the indirect coil type or a direct cylinder fitted with an immersion calorifier, which is suitable for operating on a gauge pressure of 0.35 bar (5 lb.ft. / in²) in excess of the safety valve setting. Single feed indirect cylinders are not suitable for sealed systems.

6. Make-up Water.

Provision must be made for replacing water loss from the system either,

- (a) From a manually filled make-up vessel with a readily visible water level. The vessel should be mounted at least 150 mm (6 in.) above the highest point of the system, and be connected through a non-return valve to the system, fitted at least 300 mm (12 in.) below the make-up vessel on the return side of the domestic hot water cylinder or radiators.
- (b) Where access to a make-up vessel would be difficult, by pre-pressurisation of the system. Refer to 'Filling'.

7. Mains Connection.

There must be no direct connection to the mains water supply or to the water storage tank supplying domestic water, even through a non-return valve, without the approval of the Local Water Authority.

14 SEALED SYSTEM REQUIREMENTS

8. Filling.

The system may be filled by one of the following methods:

(a) Through a cistern, used for no other purposes, via a ball valve permanently connected directly to a service pipe and / or a cold water distributing pipe.

The static head available from the cistern should be adequate to provide the desired initial system design pressure. The cold feed pipe from the cistern should include a non-return valve & a stop valve with an automatic air vent connected between them, the stop valve being located between the system & the automatic air vent. The stop valve may remain open during normal operation of the system if automatic water make-up is required.

(b) Through a self-contained unit comprising a cistern, pressure booster pump if required, and if necessary, an automatic pressure reducing valve and flow restrictor. The cistern should be supplied through a temporary connection from a service pipe or cold water distributing pipe.

This unit may remain permanently connected to the heating system to provide limited automatic water make-up. Where the temporary connection is supplied from a service pipe or distributing pipe which also supplies other 'draw-off' points at a lower level then a double check valve shall be installed upstream of the draw off point.

(c) Through a temporary hose connection from a draw off tap supplied from a service pipe under mains pressure. Where the mains pressure is excessive a pressure reducing valve shall be used to facilitate filling.

The following fittings shall form a permanent part of the system and shall be fitted in the order stated.

A stop valve complying with the requirements of BS. 1010 Part 2 (the hose from the draw off tap shall be connected to this fitting).
A test cock.

A double check valve of an approved type.

- Thoroughly flush out the whole of the system with cold water without the pump in position.
- With the pump fitted, fill & vent the system until the pressure gauge registers 1.5 bar (21.5 lb.ft. / in²), Examine for leaks.
- Check the operation of the safety valve by manually raising the water pressure until the valve lifts. This should occur within ± 0.3 bar (± 4.3 lb.ft. / in²) of the pre-set lift pressure.
- Release water from the system until the initial system design pressure is reached.
- Light the boiler and heat the system to the maximum working temperature. Examine for leaks.
- Turn off the boiler and drain the system while still hot.
- Refill and vent the system.
- Adjust the initial pressure to the required value.

Sizing procedure for expansion vessels: The volume of the expansion vessel (litres) fitted to a sealed system shall not be less than that given by the table below multiplied by a factor of 0.8 (for flow temperatures of less than 88° C).

Safety valve setting	3.0 bar			3.5 bar			3.5 bar		
Vessel charge and initial system pressure	0.5 bar	1.0 bar	1.5 bar	0.5 bar	1.0 bar	1.5 bar	0.5 bar	1.0 bar	
Total water content of system	Expansion vessel volume (litres)								
25 (litres)	2.1	2.7	3.9	2.3	3.3	5.9	2.8	5.0	
50	4.2	5.4	7.8	4.7	6.7	11.8	5.6	10.0	
75	6.3	8.2	11.7	7.0	10.0	17.7	8.4	15.0	
100	8.3	10.9	15.6	9.4	13.4	23.7	11.3	20.0	
125	10.4	13.6	19.5	11.7	16.7	29.6	14.1	25.0	
150	12.5	16.3	23.4	14.1	20.1	35.5	16.9	30.0	
175	14.6	19.1	27.3	16.4	23.4	41.4	19.7	35.0	
200	16.7	21.8	31.2	18.8	26.8	47.4	22.6	40.0	
225	18.7	24.5	35.1	21.1	30.1	53.3	25.4	45.0	
250	20.8	27.2	39.0	23.5	33.5	59.2	28.2	50.0	
275	22.9	30.0	42.9	25.8	36.8	65.1	31.0	55.0	
300	25.0	32.7	46.8	28.2	40.2	71.1	33.9	60.0	
Multiplying factors for other system volumes	0.0833	0.109	0.156	0.094	0.134	0.237	0.113	0.20	

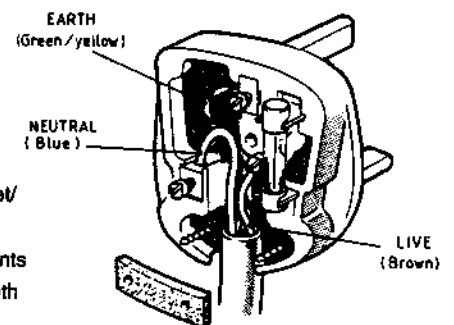
15 ELECTRICAL CONNECTIONS

WARNING. This appliance MUST be efficiently earthed.

A mains supply of 240V ~ 50 Hz is required.

All external controls & wiring MUST be suitable for mains voltage. Wiring should be 3-core PVC insulated cable, NOT LESS than 0.75 mm² (24 x 0.2 mm) and to BS. 6500, Table 16. Wiring external to the boiler MUST be in accordance with the current I.E.E. Wiring Regulations and any Local Regulations.

The supply connection may be made via a removable plug to an unswitched shuttered socket/outlet, preferably adjacent to the boiler, & should such a plug be used for connection to the mains, it must be of the 3-pin type-wired as shown, fused at 3A & comply with the requirements of BS.1363. Alternatively, a fused double-pole switch, having a 3mm contact separation in both poles, serving only the boiler & its external controls may be used.

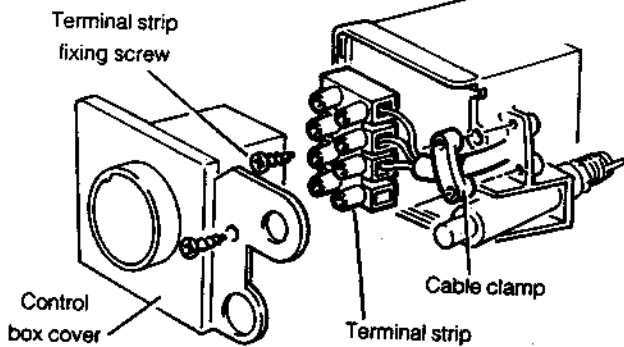


12 INTERNAL WIRING

Note. If the Programmer Kit is to be fitted, refer to the instructions provided with the kit and Frame 13.

A Pictorial Wiring diagram is shown in Frame 14 and a wiring diagram is included in the Lighting Instructions on the casing bottom panel.

DETAIL OF BOILER CONTROL BOX

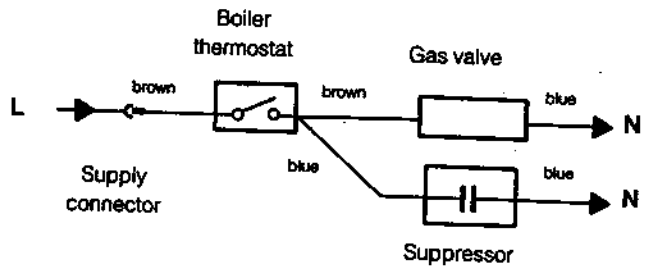


1. Remove the control box cover securing screw, disengage the lugs and draw the cover forward.

2. Remove the terminal strip securing screw, withdraw the strip & connect the mains supply into the terminals marked 'L', 'N' & \perp . Ensure that the earth lead is longer than the live & neutral leads and the cable is routed through the cable clamp.
3. Re-locate the terminal strip within the control box and route the mains supply lead through the slot in the control box side. Secure with the cable clamp provided. Ensure that no basic insulation is accessible outside of the control box.

Note. The mains lead connection MUST be made in such a way that, should the lead slip from the anchorage, the current carrying conductors become taut before the earthing conductor.

4. Refit the control box cover.



13 EXTERNAL WIRING

External wiring MUST be in accordance with the current I.E.E. Wiring Regulations.

The wiring diagrams illustrated in Frames 15 to 17 cover the systems most likely to be used with this appliance.

For wiring external controls to the **Ideal Eban 2 CF boiler**, reference should be made to the systems wiring diagram supplied by the relevant Manufacturer in conjunction with the wiring diagram shown in Frame 14.

Difficulty in wiring should not arise, providing the following directions are observed:

1. Controls that switch the system ON & OFF, e.g. a time switch, MUST be wired in series, in the live mains lead to the boiler.
2. Controls that over-ride an ON / OFF control, e.g. a frost

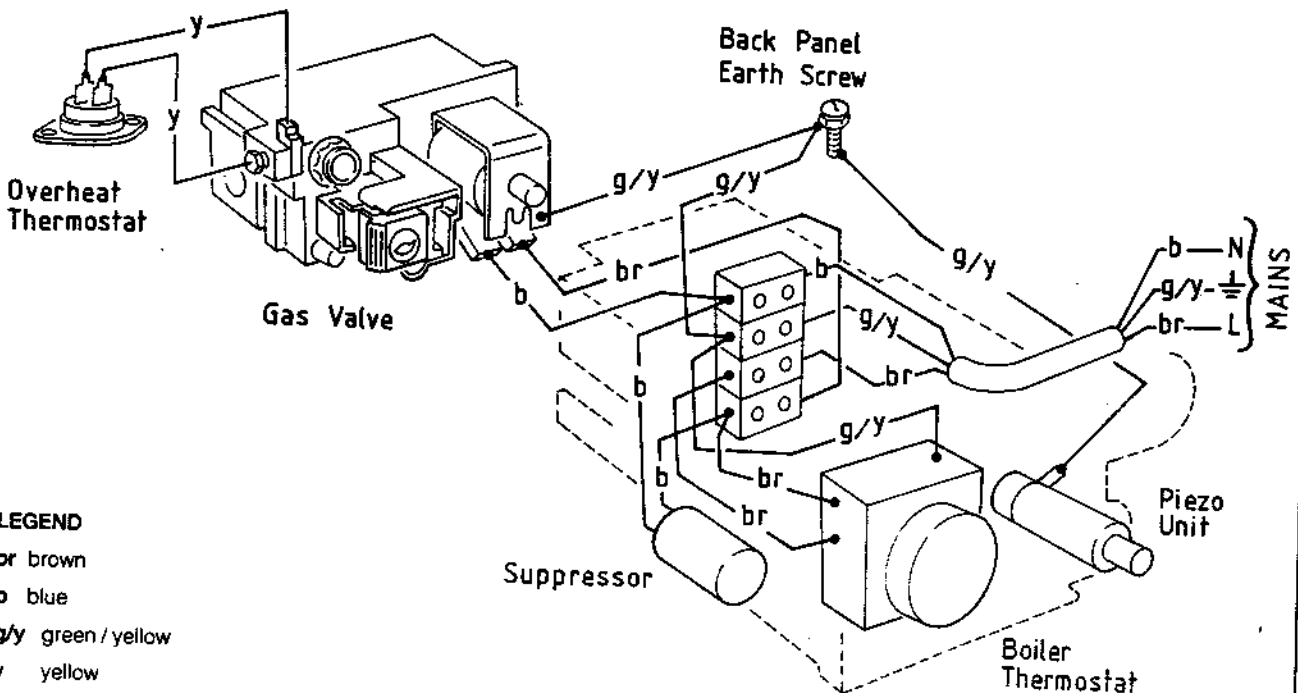
thermostat, MUST be wired into the mains lead in parallel with the controls to be over-ridden. Refer to Frame 18.

3. If a proprietary system is used, follow the instructions supplied by the Manufacturers.
4. The pump must always be wired in 'parallel' with the boiler.
5. System designs featuring controls or wiring arrangements which allow the boiler to fire when there is no pumped circulation taking place should not be fitted.

Advice on required modifications to wiring may be obtained from the component Manufacturers.

- Connections between a frost thermostat and the time control should be made without disturbing other wiring.
- A frost thermostat should be sited in a cool place in the house, but where it can sense heat from the system.

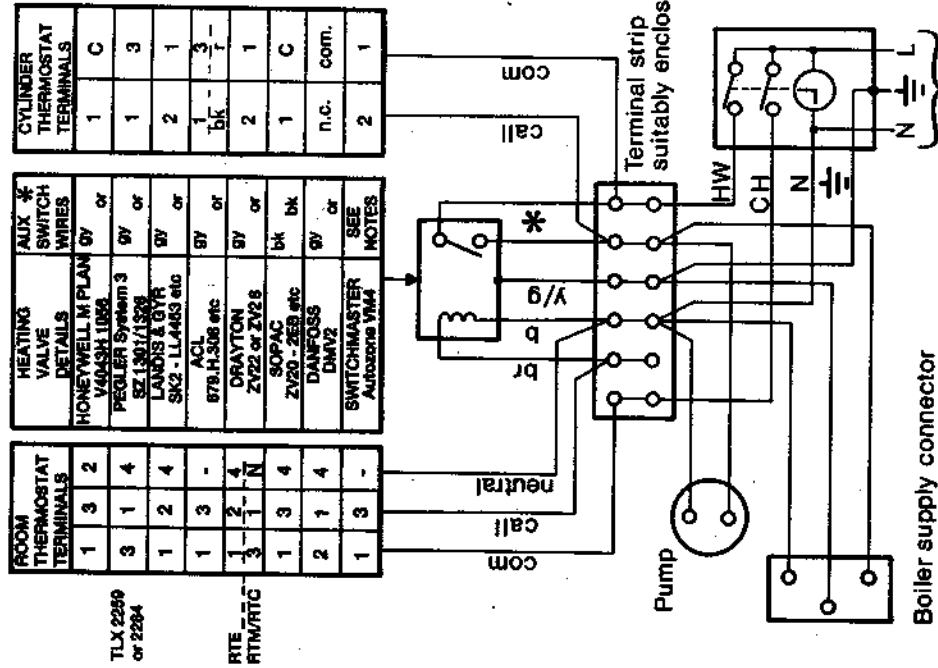
14 PICTORIAL WIRING



- LEGEND**
- br brown
 - b blue
 - g/y green / yellow
 - y yellow

1B ONE VALVE IN HEATING CIRCUIT - Pumped only

1. Some earth wires are omitted for clarity. Ensure proper earth continuity when wiring.
2. Numbering of thermostat terminals applies ONLY to the Manufacturer mentioned.
3. Switchmaster valve also has grey and orange wires, but the GREY wire (not the orange), must be connected to the incoming supply.



ROOM THERMOSTAT TERMINALS	HEATING VALVE DETAILS	AUX # SWITCH WIRES	CYLINDER THERMOSTAT TERMINALS
1 3 2	HONEYWELL 'M PLAN V404SH 1039	GY or	1 C
3 1 4	PEGLER System 3 SZ 1301/1308	GY or	1 3
1 2 4	LANDIS & GYR SK2 - LL4463 etc	GY or	2 1
1 3 -	ACL 879.H.308 etc	GY or	1 bk - 3 -
1 2 4	DRAYTON ZY22 or ZY28	GY or	2 1
3 1 N	SOPAC ZV20 - ZES etc	bk bk	1 C
1 3 4	DANFOSS DMV2	GY or	n.c. com.
2 1 4	Switchmaster Autoterra VM4	SEE NOTES	2 1
1 3 -			

TLX 2259 or 2284

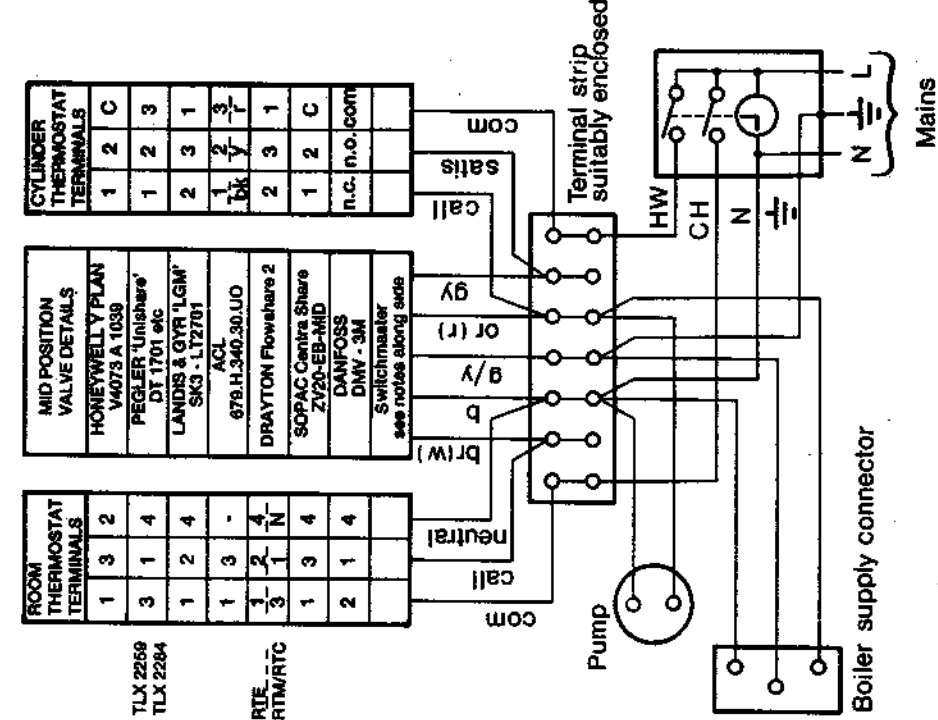
RTE RTM/RTC

- LEGEND
- r red
 - gy green
 - y yellow
 - w white
 - g grey
 - o orange
 - /yellow v violet
 - pk pink

Typical Programmer
CH Cannot be selected without HW

1B MID POSITION VALVE - Pumped only

1. Some earth wires are omitted for clarity. Ensure proper earth continuity when wiring.
2. This is a fully controlled system - set the boiler thermostat to HIGH.
3. Numbering of thermostat terminals applies ONLY to the Manufacturer mentioned.
4. Switchmaster Midi operates similarly, but the wiring is not identical - see the manufacturer's wiring diagram.



ROOM THERMOSTAT TERMINALS	MID POSITION VALVE DETAILS	CYLINDER THERMOSTAT TERMINALS
1 3 2	HONEYWELL 'Y PLAN V4073 A 1039	1 2 C
3 1 4	PEGLER 'Unishere' DT 1701 etc	1 2 3
1 2 4	LANDIS & GYR 'LGM' SK3 - LT2701	2 3 1
1 3 -	ACL 879.H.340.30.LUD	1 bk - 3 -
1 2 4	DRAYTON Flowshare 2	2 3 1
3 1 N	SOPAC Centra, Share ZV20-EB-MID	1 2 C
1 3 4	DANFOSS DMV - 3M	n.c. n.o. com
2 1 4	Switchmaster see notes along side	

TLX 2259 or 2284

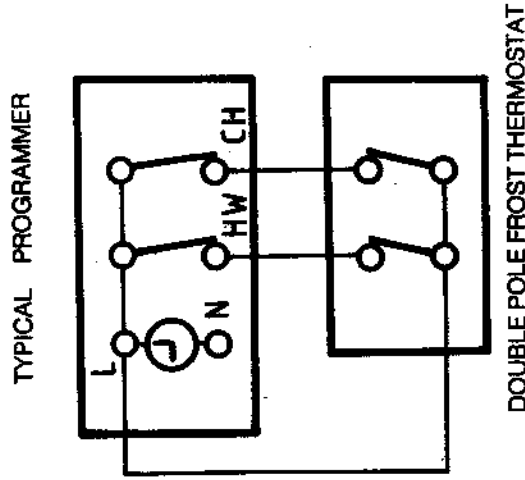
RTE RTM/RTC

- LEGEND
- r red
 - gy green
 - y yellow
 - w white
 - g grey
 - o orange
 - /yellow v violet
 - pk pink

Typical Programmer
CH Cannot be selected without HW

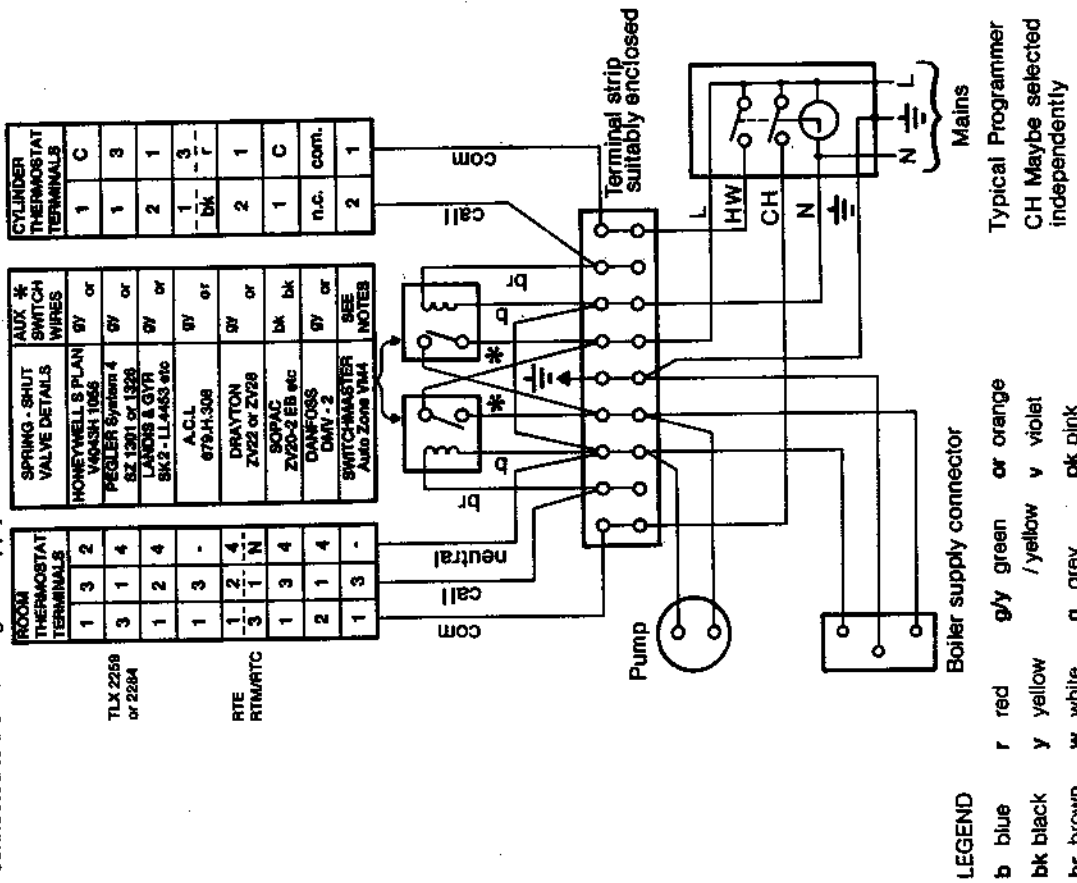
1B FROST PROTECTION

1. The frost thermostat should be wired to the programmer as shown, without disturbing the existing wiring.
2. The frost thermostat should be sited in a cool place in the house, but where it can sense heat from the system.
3. The occupier should be advised that, during frosty weather, the system should be turned OFF at the programmer switches ONLY. All other controls should be left in the normal running position.



17 TWO SPRING CLOSED VALVES - Pumped only

1. Some earth wires are omitted for clarity. Ensure proper earth continuity when wiring.
2. This is a fully controlled system - set the boiler thermostat to HIGH.
3. Numbering of thermostat terminals applies ONLY to the Manufacturer mentioned.
4. Switchmaster Autozone also has grey and orange wires, but the GREY (not the orange) wire must be connected to the incoming live supply.



19 COMMISSIONING AND TESTING

(a) Electrical Installation

1. Checks to ensure electrical safety should be carried out by a competent person.
2. ALWAYS carry out the preliminary electrical system checks, i.e. earth continuity, polarity, resistance to earth and short circuit, using a suitable test meter.

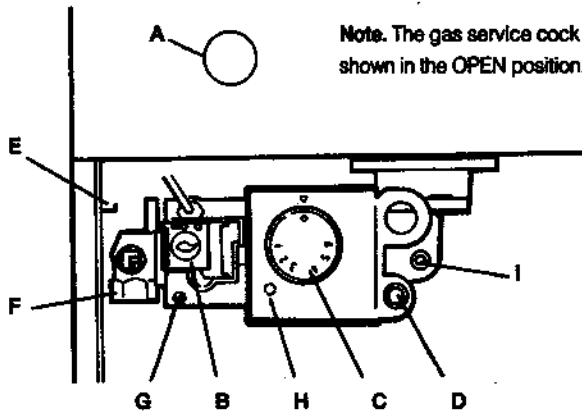
(b) Gas Installation

1. The whole of the gas installation, including the meter, should be inspected & tested for soundness and purged in accordance with the recommendations of BS. 6891.
2. Purge air from the gas installation by loosening the four extended nuts securing the gas service cock and purging until gas is smelled.
3. Retighten the nuts and test for gas soundness.

WARNING. Whilst effecting the required gas soundness test & purging air from the gas installation, open all windows & doors, extinguish naked lights & DO NOT SMOKE.

20 INITIAL LIGHTING

BOILER CONTROLS



Note. The gas service cock is shown in the OPEN position.

LEGEND

- | | |
|-----------------------------|-------------------------------------|
| A Sightglass. | E Fascia retention catch. |
| B Gas control valve button. | F Gas service cock. |
| C Thermostat knob. | G Inlet pressure test nipple. |
| D Piezo ignition button. | H Main burner pressure adjuster. |
| | I Main burner pressure test nipple. |

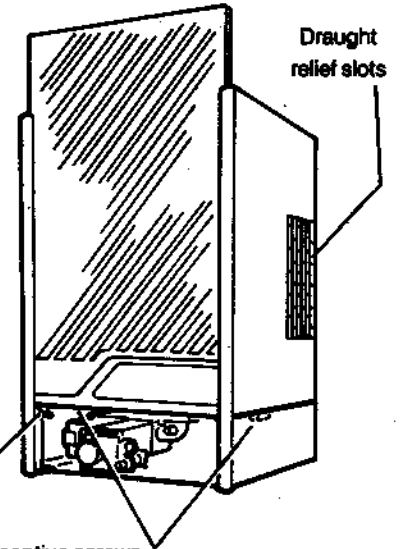
1. Check that the electricity supply is OFF.
2. Check that the gas service cock (F) is ON and the boiler thermostat control knob (C) is OFF.
3. Slacken the screw in the burner pressure test nipple (I) and connect a gas pressure gauge via a flexible tube.
4. Slide the gas control button (B) to the RIGHT until resistance is felt and then release it.
5. Push in and retain fully depressed the gas control button (B), press and release the piezo ignition button (D) repeatedly until the pilot lights.
6. Hold the gas control button (B) depressed for 15 seconds after the pilot burner has ignited.
7. If the pilot burner fails to remain alight at this stage then repeat the procedure detailed above, but wait longer than 15 seconds before releasing the gas control button.
8. Check the appearance of the pilot flame to ensure that it envelops the tip of the thermocouple and is approximately 25 mm (1 in.) long. If the pilot flame appears incorrect then refer to Frame 8 'Servicing'.
 - (a) The pilot flame is factory set & no adjustment is possible.
 - (b) The recommended range of thermocouple outputs is 8 - 15 mV closed circuit.
9. Test for gas soundness around ALL boiler gas components, particularly valve & manifold flanges, using leak detection fluid.
10. Set the boiler thermostat knob (C) to OFF and switch OFF the electricity supply.

11. If the boiler output is to be set to MID or MINIMUM, affix the appropriate output indicator to the Data Plate, located on the heat exchanger retaining bracket - R.H. side for CF 230 & CF 240 boilers or L.H. side for CF 250 & CF 260 boilers.

FITTING THE BOILER CASING

IMPORTANT. This appliance MUST NOT be operated without the casing correctly fitted.

12. Lift the boiler casing, with the glass fascia in the down position, up to the boiler assembly and hook the top return edge over the retaining lugs.
13. Slide the fascia up with it locates in the retaining catch.



14. Secure the bottom two captive screws.
15. Switch the electricity supply ON and check that all external controls are calling for heat.
16. Set the boiler thermostat knob (C) to position '6' and check that the main burner cross lights smoothly from the pilot flame.
17. Operate the boiler for ten minutes to stabilise the burner temperature.
18. The boiler is pre-set at the factory to its highest nominal rating, but can be range rated to suit the system design requirements. Refer to Table 2 on page 2.

Turn the adjusting screw (H) CLOCKWISE to DECREASE the pressure.
19. Immediately check that there is no spillage of products of combustion from the draught diverter outlets by carrying out a spillage test as detailed in BS. 5440:1.

Note. Insert the smoke match through the casing draught relief slots or, if side access is limited, briefly remove the casing but protect the plastic control box from possible heat damage.
20. Set the boiler thermostat knob (C) to OFF.
21. Remove pressure gauge & tube. Retighten the sealing screw in the pressure test nipple - ensure that a gas tight seal is made.
22. Refit the casing bottom panel.

21 GENERAL CHECKS

Make the following checks for correct operation:

1. Turn the boiler thermostat knob ON and OFF.
Check that the main burner lights and extinguishes in response.
2. Check the correct operation of ANY programmer and all other system controls should proved.
Operate each control separately and check that the main burner or circulating pump, as the case may be, responds.
3. **Flame Failure Device.**
Check the operation of the flame failure device in the gas control valve as follows:
 - (a) Extinguish the pilot flame by closing the gas service cock (F) and note the time taken for the flame failure device to shut down - identified by a click within the gas control valve. This MUST NOT be longer than 60 seconds.
 - (b) Open the gas service cock and re-light the pilot.
 - (c) Set the boiler thermostat knob (C) to position '6' and the burner should light.
 - (d) Slide the gas control button (D) to the RIGHT until resistance is felt and then release it. The main burner and pilot flame should shut down immediately.
Note. A latch in the gas control valve provides a safety delay period of approximately 30 seconds before the boiler can be re-lit.
4. Check that the casing is seated correctly.

5. Water Circulation System.

- (a) With the system HOT, examine all water connections for soundness.
 - (b) With the system still hot, turn off the gas, water and electricity supplies to the boiler and drain down in order to complete the flushing process.
 - (c) Re-fill and vent the system, clear all air locks and again check for water soundness.
 - (d) Balance the system and set the by-pass.
6. Finally set the controls to the User's requirements and slide the glass fascia down into the closed position.
 - If an optional Programmer Kit is fitted then refer to the instructions supplied with the kit.
 - The temperatures quoted below are approximate and vary between installations.

Knob Setting	Flow Temperature	
	°C	°F
1	56	133
2	61	142
3	66	152
4	72	161
5	77	170
6	82	180

WARNING. The boiler MUST NOT be operated with the casing removed.

22 HANDING OVER

After completing the installation and commissioning of the system, then the installer should hand over to the householder by the following actions:

1. Hand the User's instructions to the Householder and explain his or her responsibilities under the Gas Safety (Installation and Use) Regulations 1984.
2. Draw attention to the Lighting Instruction label affixed to the casing front and visible through the observation window in the glass fascia when in the raised position.
3. Explain and demonstrate the lighting and shutting down procedures.
4. The operation of the boiler and the use and adjustment of ALL system controls should be fully explained to the Householder, to ensure the greatest possible fuel economy, consistent with household requirements of both heating and hot water consumption.

Advise the User of the precautions necessary to prevent damage to the system and to the building, in the event of the system remaining inoperative during frosty conditions.

5. Explain the function and the use of the boiler thermostat and external controls.
6. Explain the function of the boiler over-heat thermostat and emphasise that if cut-out persists, the boiler should be turned off and the local Heating Installer consulted.
7. Explain and demonstrate the function of time and temperature controls, radiator valves, etc for the economic use of the system.
8. If any Programmer Kit is fitted, then draw attention to the Programmer Kit User's instructions and hand them to the Householder.
9. Stress the importance of regular servicing by the Local Gas Region or by a qualified Heating Engineer and that a comprehensive service should be carried out AT LEAST ONCE A YEAR.

1 SCHEDULE To ensure the continued safe and efficient operation of the appliance, it is recommended that it is checked at regular intervals and serviced as necessary. The frequency of servicing will depend upon the installation condition and usage, but should be carried out at least annually. It is the law that any service work must be carried out by a competent person.

- (a) Light the boiler & carry out a pre-service check, noting any operational faults.
- (b) Clean the main burner.
- (c) Clean heat exchanger.
- (d) Clean the main and pilot injectors.
- (e) Check the condition of the thermocouple.
- (f) Check that the flue outlet that the flue system is sealed correctly.
- (g) If the appliance has been installed in a compartment, check that the ventilation areas are clear.

The servicing procedures are covered more fully in Frames 2 to 8 and must be carried out in sequence.

WARNING. Always turn OFF the gas service cock and disconnect the electrical supply BEFORE servicing.

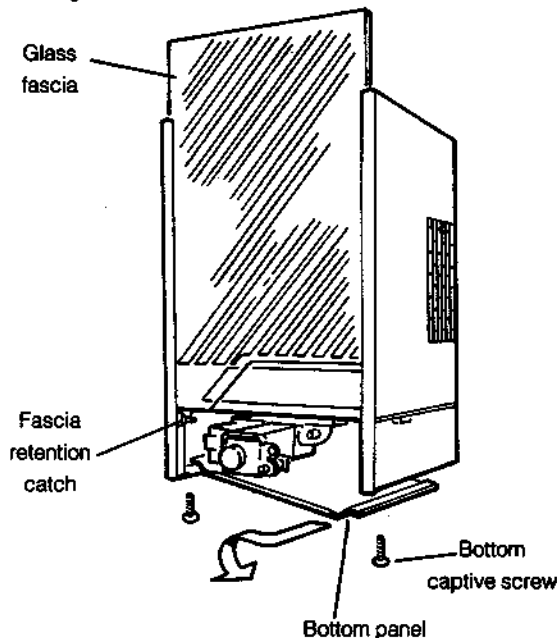
IMPORTANT. After completing the servicing or exchange of components always test for gas soundness and carry out functional checks as appropriate.

Note. In order to carry out either servicing or replacement of components, the boiler casing must be removed (Frame 2):

IMPORTANT. When work is complete the casing MUST be correctly refitted. Unless a spillage test (Frame 20 'Installation') is to be made *never operate the boiler if the casing is not fitted.*

2 BOILER CASING REMOVAL

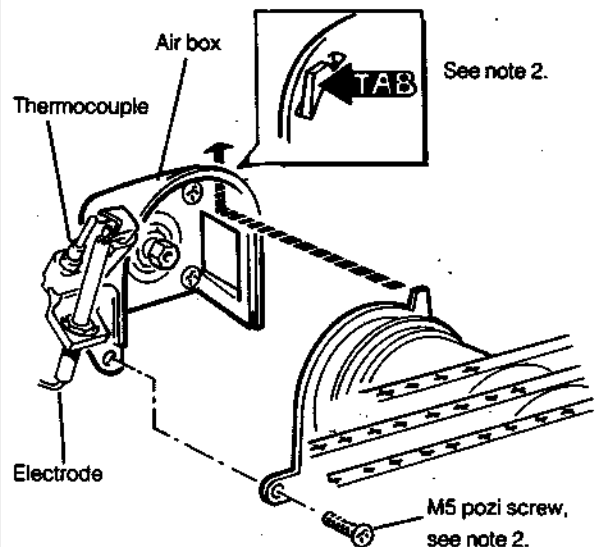
1. Slide the glass fascia upwards until it locates in the retaining catch.
2. Remove the two securing screws, slide the bottom panel forward slightly and then sideways to remove from the casing.



3. Release the 2 bottom captive screws and lift the casing off the boiler. Place the casing safely to one side, taking care not to damage the glass fascia panel. *Slide the glass panel down in the casing for safe keeping.*

3 BURNER AND AIR BOX REMOVAL

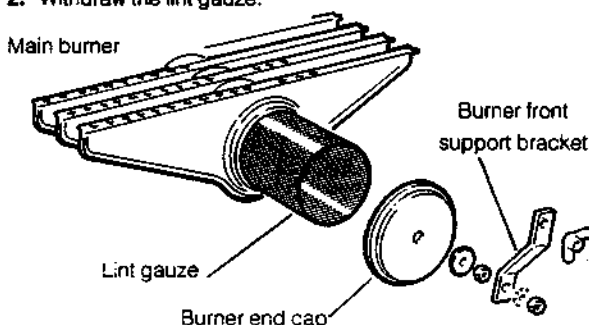
1. Remove the wing nut securing the burner front support bracket.
2. Remove the M5 pozi screw situated at the left hand, bottom rear of the burner and pull the burner downwards in order to disengage the retention tab. Remove the burner to a safe place for inspection and cleaning.
2. Unscrew the thermocouple connection at the gas control valve.



3. Remove the four screws retaining the air box / pilot assembly to the vertical manifold.
4. Pull off the electrode lead at the piezo unit.
5. Unhook the clip retaining the thermocouple and remove the air box assembly to a safe place for inspection and cleaning.

4 LINT GAUZE REMOVAL

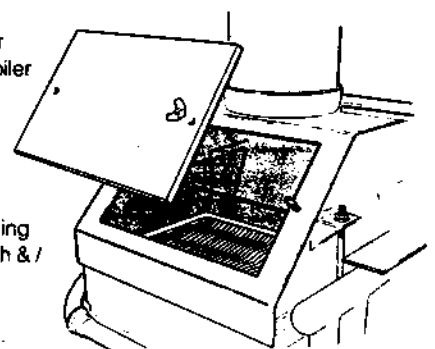
1. Remove the burner end cap and burner front support bracket.
2. Withdraw the lint gauze.



5 CLEANING THE FLUEWAYS

1. Remove the two wing nuts & lift off the clean-out cover.

Place a plastic sheet or similar beneath the boiler and remove all loose deposits from the heat exchanger finned block & copper skirt using a suitable brush & / or clearing rod -brushing from above & below.



2. Check that the flue outlet pipe is unobstructed.

6 CLEANING THE BURNER AND PILOT ASSEMBLY

Refer to Frame 3 for illustration of the procedure below.

1. Clean the lint gauze to remove any deposits of lint, fluff, etc.
2. Brush off any deposits that may have fallen onto the burner head, ensuring the flame ports are un-obstructed and remove any debris that may have collected.
Note. Brushes with metallic bristles **MUST NOT** be used.
3. Remove the main burner injector and ensure that there is no blockage or damage. Clean or renew as necessary.
3. Refit injector using an approved jointing compound sparingly.
4. Inspect the pilot burner, thermocouple and spark electrode; ensure they are clean and in good condition.

Check that:

- (a) The pilot burner injector is not blocked or damaged (refer Frame 12 for removal details).

- (b) The pilot burner is clean and unobstructed.
(c) The spark electrode is clean and undamaged.
(d) The spark lead is in good condition and securely connected.
(e) The spark gap is correct. Refer Frame 8.
(f) The thermocouple tip is not burned or cracked.
(g) The position of the thermocouple relative to the pilot burner and main burner is correct. Refer to Frame 8.
(h) The thermocouple terminal at the gas valve is clean.
5. Re-assemble the burner air box assembly in reverse order. Ensure that the burner tab is correctly located, refer to Frame 3.

Note. The pilot shield is positioned around the pilot assembly bracket and is located by the electrode retaining nut.

7 RE-ASSEMBLY

Re-assembly in reverse order to that shown in Frames 2 to 6.

1. Refit the flue clean out cover, renewing any damaged or deteriorating sealing gasket.
2. Refit the burner and air box assembly.

3. Turn on the gas supply at the gas service cock.
4. Re-connect the electricity supply.
5. Check the sightglass in the boiler casing. Clean or renew as necessary. Refer to Frame 10.
6. Refit the boiler casing.

8 GAS PRESSURE ADJUSTMENT

PILOT

Light the boiler (refer to Frame 20 'Installation') and check that the pilot flame envelopes the tip of the thermocouple and is approximately 25 mm (1 in.) long.

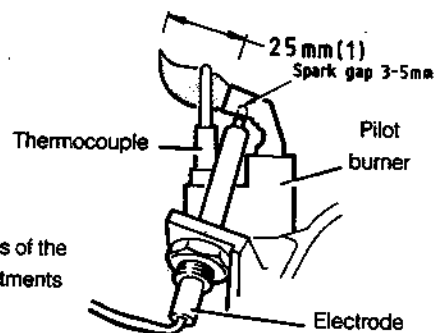
The pilot is factory set to maximum and no further adjustment is possible.

However, if the pilot flame appears small, check the pilot injector. Refer to Frame 12.

MAIN BURNER

After each occasion of servicing, reference should be made to Table 2, which quotes details of the rated output with the related burner setting pressure and the heat input. Any required adjustments should be made by using the pressure adjustment screw. Refer to Frame 20 'Installation'.

DETAIL OF PILOT BURNER FLAME LENGTH

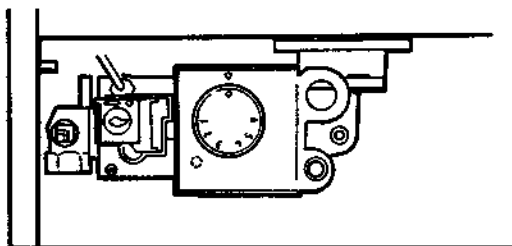


REPLACEMENT OF PARTS

9 GENERAL

When replacing any component:

- (a) Isolate the electricity supply.
(b) Turn off the gas supply at the boiler, refer to the illustration below. **Note.** The gas cock is shown in the CLOSED position.



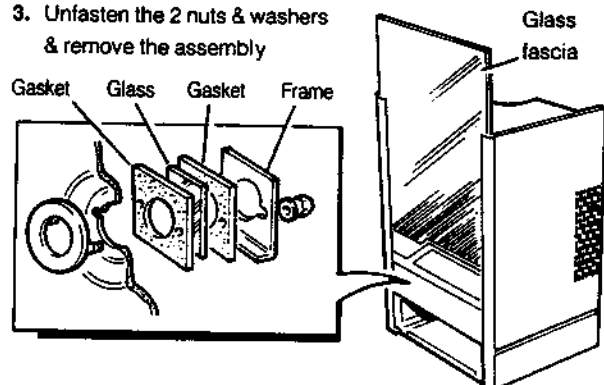
- (c) Remove the boiler casing (refer to Frame 2).

IMPORTANT. When work is complete the casing **MUST** be correctly refitted.

*The boiler **MUST NOT** be operated if the casing is not fitted.*

10 SIGHTGLASS REPLACEMENT

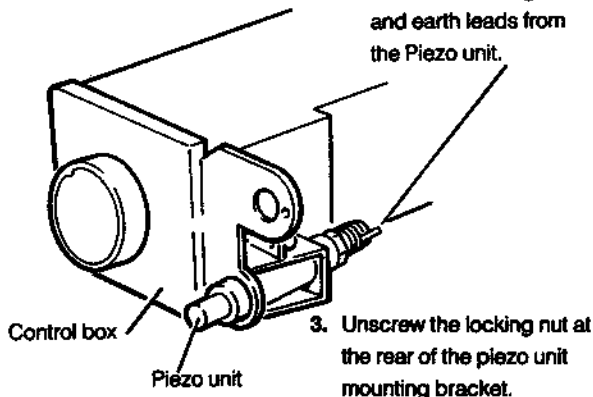
1. Refer to Frame 9.
2. Remove the glass fascia panel from the casing.
3. Unfasten the 2 nuts & washers & remove the assembly



4. Fit the new sightglass & re-assemble as shown.
5. Retighten the two nuts to ensure an airtight seal. **DO NOT OVERTIGHTEN.**
7. Refit the fascia panel and replace the boiler casing (Frame 7).

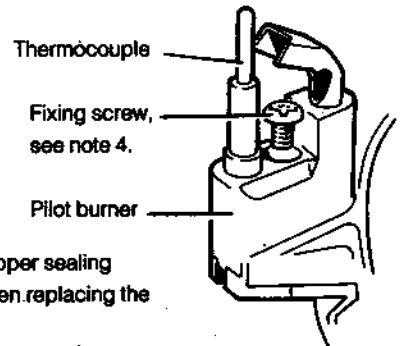
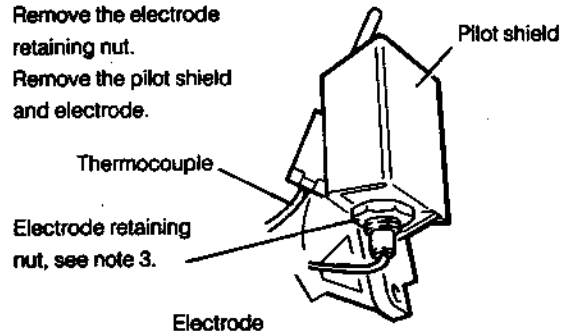
11 PIEZO UNIT REPLACEMENT

1. Refer to Frame 9.
2. Disconnect the ignition and earth leads from the Piezo unit.
3. Unscrew the locking nut at the rear of the piezo unit mounting bracket.
4. Remove the control box cover.
5. Remove the piezo unit.
Re-fit the new unit and re-assemble in reverse order.
6. Replace the boiler casing. Refer to Frame 6.
7. Check the operation of the new piezo unit.



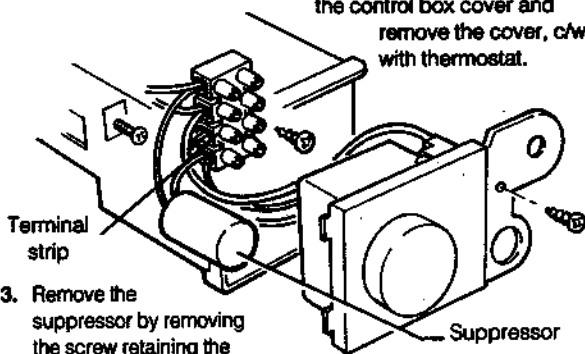
12 PILOT BURNER REPLACEMENT

1. Refer to Frame 9.
2. Remove burner and air box assembly. Refer to Frame 3.
3. Remove the electrode retaining nut. Remove the pilot shield and electrode.
4. Unscrew the central pilot fixing screw and lift the pilot clear of thermocouple and pilot injector.
If required, the pilot injector may now be unscrewed & the injector checked or replaced as necessary.
Ensure that the copper sealing washer is fitted when replacing the injector.
5. Replace the pilot burner and retain with the M4 screw previously removed.
6. Replace the electrode and pilot shield - retaining both with the electrode nut.
7. Replace the air box assembly and ensure that the gasket is in position.
8. Replace the burner.
9. Check the pilot burner relationship to the main burner and spark gap. Refer to Frame 8.
10. Replace the boiler casing. Refer to Frame 7.
11. Check the pilot length. Refer to Frame 8.
12. Check the pilot operation (cross lighting, holding in time, etc.).



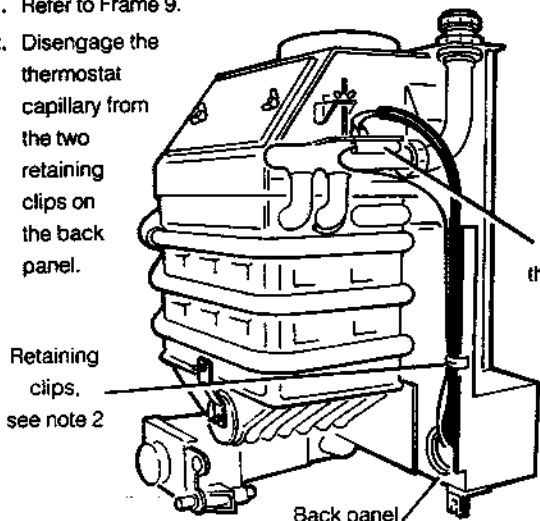
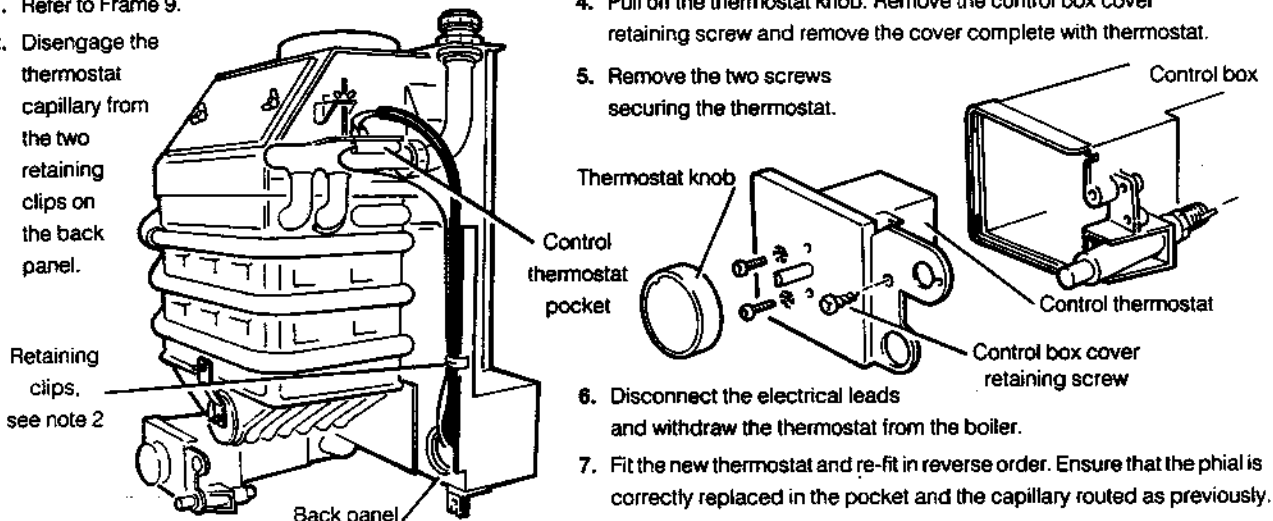
13 SUPPRESSOR REPLACEMENT

1. Refer to Frame 9.
2. Remove the screw retaining the control box cover and remove the cover, c/w with thermostat.
3. Remove the suppressor by removing the screw retaining the terminal block, lifting the terminal block and unscrewing the suppressor lead connections.
4. Fit the new suppressor and re-assemble in reverse order. Ensure that all of the electrical connections are correctly re-made - refer to 'Wiring Diagrams'.
5. Replace the boiler casing. Refer to Frame 7.
6. Check the operation of the control thermostat.



14 CONTROL THERMOSTAT REPLACEMENT

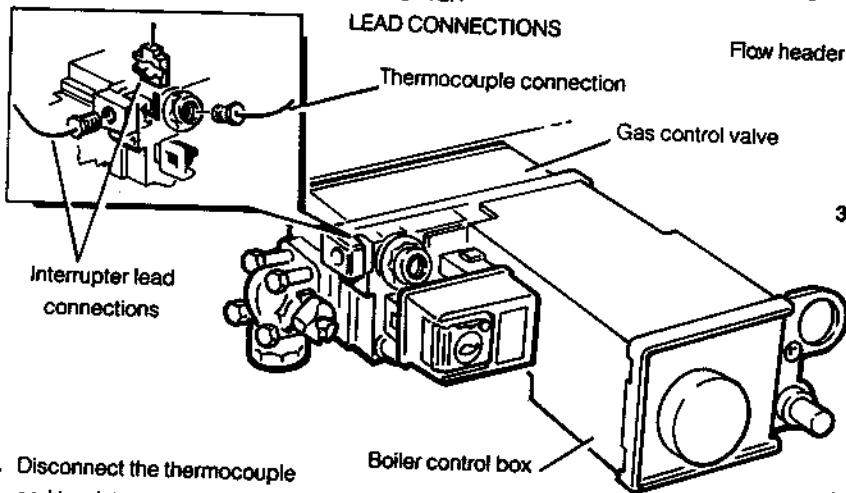
1. Refer to Frame 9.
2. Disengage the thermostat capillary from the two retaining clips on the back panel.
3. Remove the retaining pin and withdraw the thermostat phial from the pocket.
4. Pull off the thermostat knob. Remove the control box cover retaining screw and remove the cover complete with thermostat.
5. Remove the two screws securing the thermostat.
6. Disconnect the electrical leads and withdraw the thermostat from the boiler.
7. Fit the new thermostat and re-fit in reverse order. Ensure that the phial is correctly replaced in the pocket and the capillary routed as previously.
8. Replace the boiler casing. Refer to frame 7.
9. Check the operation of the new thermostat.



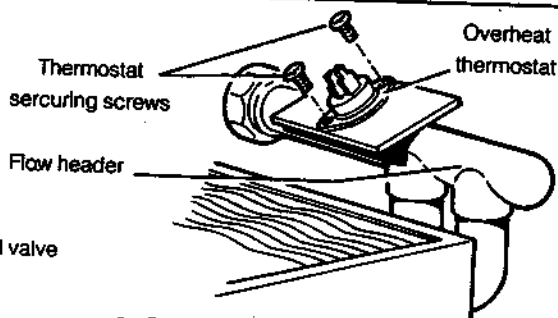
15 OVERHEAT THERMOSTAT REPLACEMENT

1. Refer to Frame 9.

DETAIL OF THERMOCOUPLE & INTERRUPTER LEAD CONNECTIONS



2. Disconnect the thermocouple and two interrupter leads from the gas control valve.



3. Remove the thermostat securing screws

4. Disengage the thermostat lead from the two retaining clips on the backpanel (refer to frame 14) and withdraw the thermostat from the boiler.

5. Fit the new thermostat and re-assemble in reverse order.

6. Replace the boiler casing. Refer to Frame 7.

16 SPARK ELECTRODE AND LEAD REPLACEMENT

1. Refer to Frame 9.

2. Remove burner and air box assembly. Refer Frame 3.

3. Remove the electrode retaining nut.

4. Remove the pilot shield.

5. Remove the spark electrode and integral lead.

6. Fit the new electrode & lead in reverse order, taking care to replace the pilot shield.

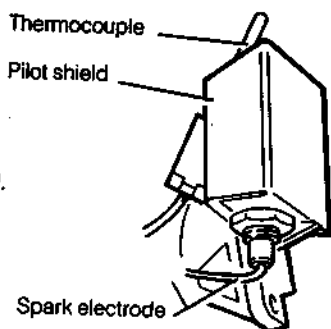
7. Check the spark gap. Refer to Frame 8.

8. Refit the burner.

9. Replace the boiler casing. Refer to Frame 7.

10. Check the pilot ignition.

DETAIL OF PILOT BURNER



17 THERMOCOUPLE REPLACEMENT

1. Refer to Frame 9.

2. Remove the burner and air box assembly. Refer to Frame 3.

3. Remove the electrode retaining nut. Refer to Frame 12.

4. Remove the pilot shield and electrode.

5. Unscrew the central pilot fixing screw. Lift the pilot clear of the thermocouple and pilot injector. Refer to Frame 12.

6. Withdraw the thermocouple and fit the replacement.

Re-assemble in reverse order, ensuring that no sharp bends are used on the thermocouple and the pilot shield is refitted.

7. Replace the boiler casing. Refer to Frame 7.

8. Check the operation of the thermocouple.

18 MAIN BURNER AND MAIN BURNER INJECTOR REPLACEMENT

1. Refer to Frame 9.

2. Remove the wing nut securing the burner front support bracket.

3. Remove the M5 pozi screw and washer, situated at the left hand bottom rear of the burner. Pull the burner downwards to disengage the retention tab and remove the burner.

4. At this stage the main burner injector can be removed, checked, cleaned or replaced as required. Ensure that an approved jointing compound is used sparingly.

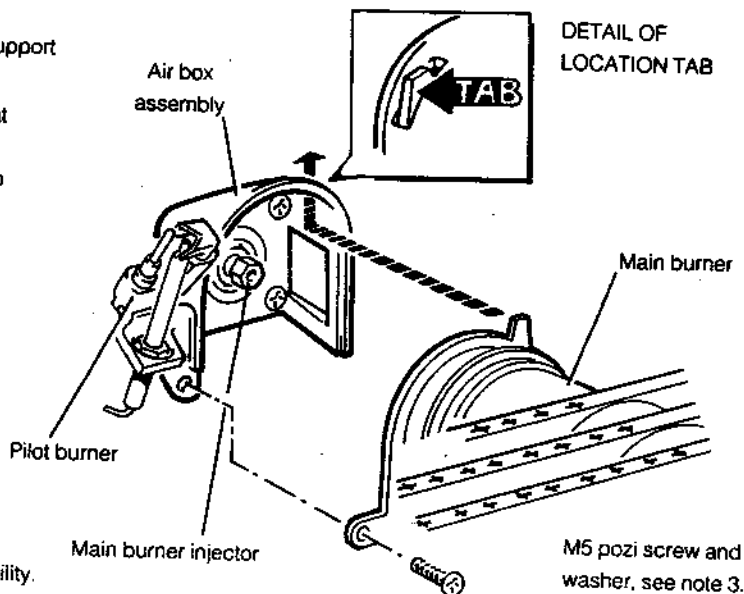
5. Fit new burner, ensuring that the retention tab is correctly located in the air box slot.

6. Refit the M5 retaining screw and washer.

7. Refit burner front support bracket.

8. Refit boiler casing. Refer to Frame 7.

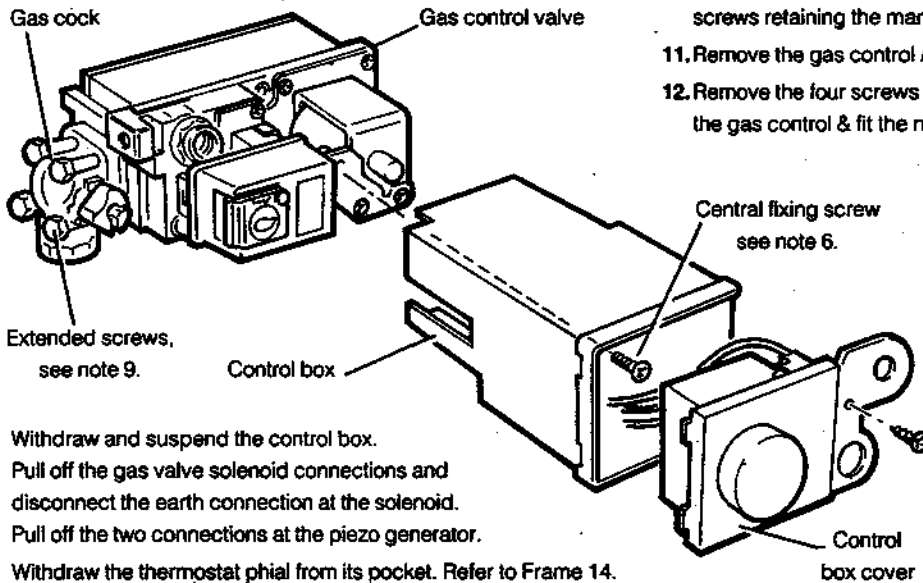
9. Check the burner for cross-lighting and flame stability.



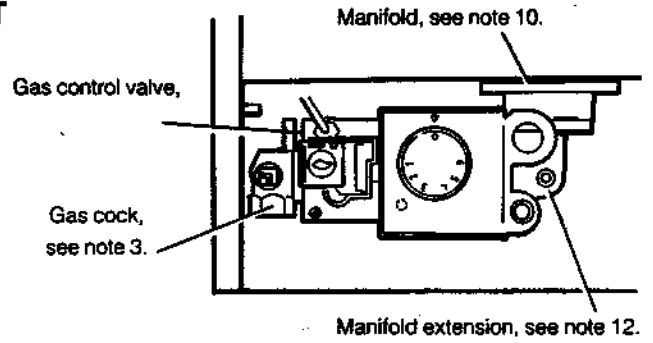
19 GAS CONTROL VALVE REPLACEMENT

Note. Also refer to Frame 23 (Servicing) 'BURNER ASSEMBLY - Exploded View' for illustration of the procedure detailed below.

1. Refer to Frame 9.
2. Remove the burner and air box assembly. Refer to Frame 3.
3. Turn off the gas supply at the service cock.
4. Remove the control box cover fixing screw and withdraw the cover.
5. Pull off the two electrical connections and the earth connection at the boiler thermostat.
6. Remove the control box central fixing screw, situated behind the suppressor and draw the box forward.



7. Withdraw and suspend the control box. Pull off the gas valve solenoid connections and disconnect the earth connection at the solenoid. Pull off the two connections at the piezo generator.
8. Withdraw the thermostat phial from its pocket. Refer to Frame 14.



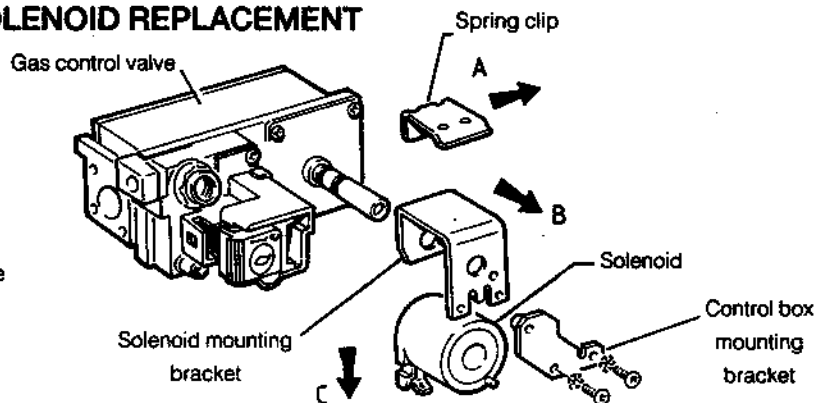
9. Remove the four M4 extended screws retaining the gas service cock to the gas control valve.
10. Whilst supporting the gas control valve, remove the two screws retaining the manifold to the back panel.
11. Remove the gas control / manifold assembly.
12. Remove the four screws retaining the manifold extension to the gas control & fit the new gas control valve, ensuring that:

- (a) The new gas control is fitted the correct way round (an arrow engraved on the valve indicates the direction of flow).
- (b) The sealing gasket and 'O' ring, supplied with the valve, are correctly fitted.

13. Re-assemble in reverse order.
14. Replace the burner and air box assembly.
15. Replace the boiler casing. Refer to Frame 7.
16. Check the gas valve operation.

20 GAS CONTROL VALVE SOLENOID REPLACEMENT

1. Refer to Frame 9.
2. Remove the control box from the gas control valve. Refer to Frame 19.
3. Slide out the spring clip and remove the solenoid and mounting bracket from the gas control valve.
4. Fit the new solenoid and re-assemble in reverse order.
5. Replace the boiler casing. Refer to Frame 7.
6. Check the gas valve operation.

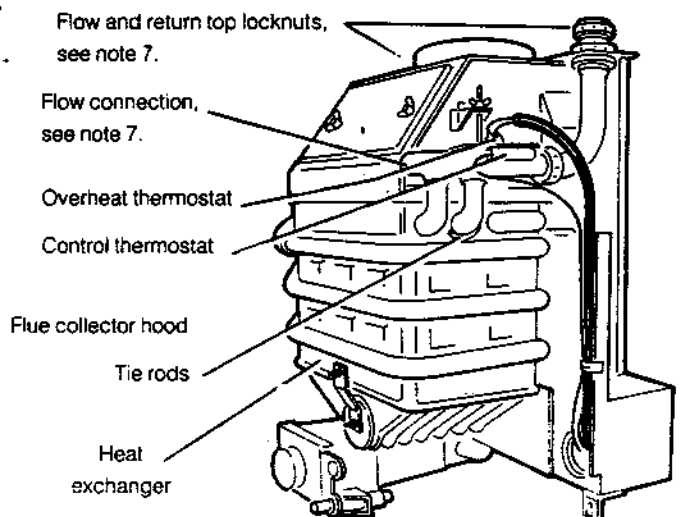


21 HEAT EXCHANGER REPLACEMENT

Note. Also refer to Frame 23 (Servicing) 'BURNER ASSEMBLY - Exploded View' for illustration of the procedure detailed below.

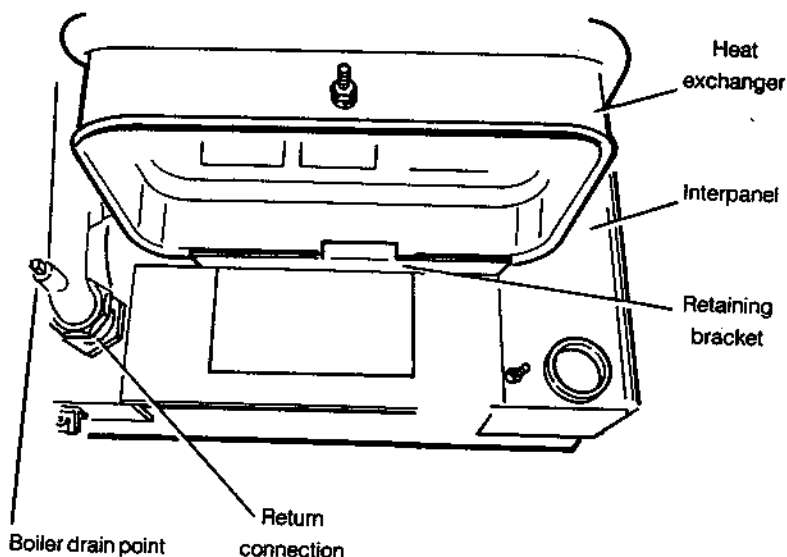
IMPORTANT. Before starting the removal procedure protect the gas and electrical controls with a waterproof sheet or similar.

1. Refer to Frame 9.
2. Drain down the system & heat exchanger. Refer to Frame 22.
3. Remove the burner & air box assembly. Refer to Frame 3.
4. Remove the control thermostat phial from the pocket. Refer to Frame 14.
5. Remove the overheat thermostat from the mounting plate. Refer to Frame 15.
6. Remove the 2 nuts and washers and disengage the tie rods from the heat exchanger and flue collector hood.



Continued in Frame 22

22 HEAT EXCHANGER REPLACEMENT

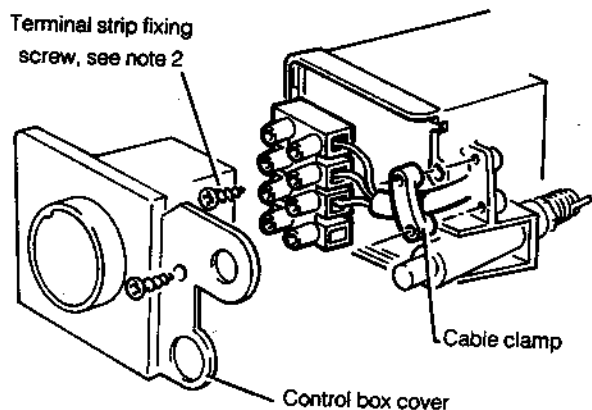


Continued from Frame 21.

7. Undo the flow and return connections on the heat exchanger and slacken the top locknuts on the flow and return pipes. Refer also to Frame 21.
8. Remove the three securing screws and withdraw the heat exchanger retaining bracket.
9. Ease the heat exchanger forwards and downwards, and withdraw it from the interpanel.
10. Fit the new heat exchanger and re-assemble in reverse order. Renew any damaged or deteriorating flue collector hood gasket.

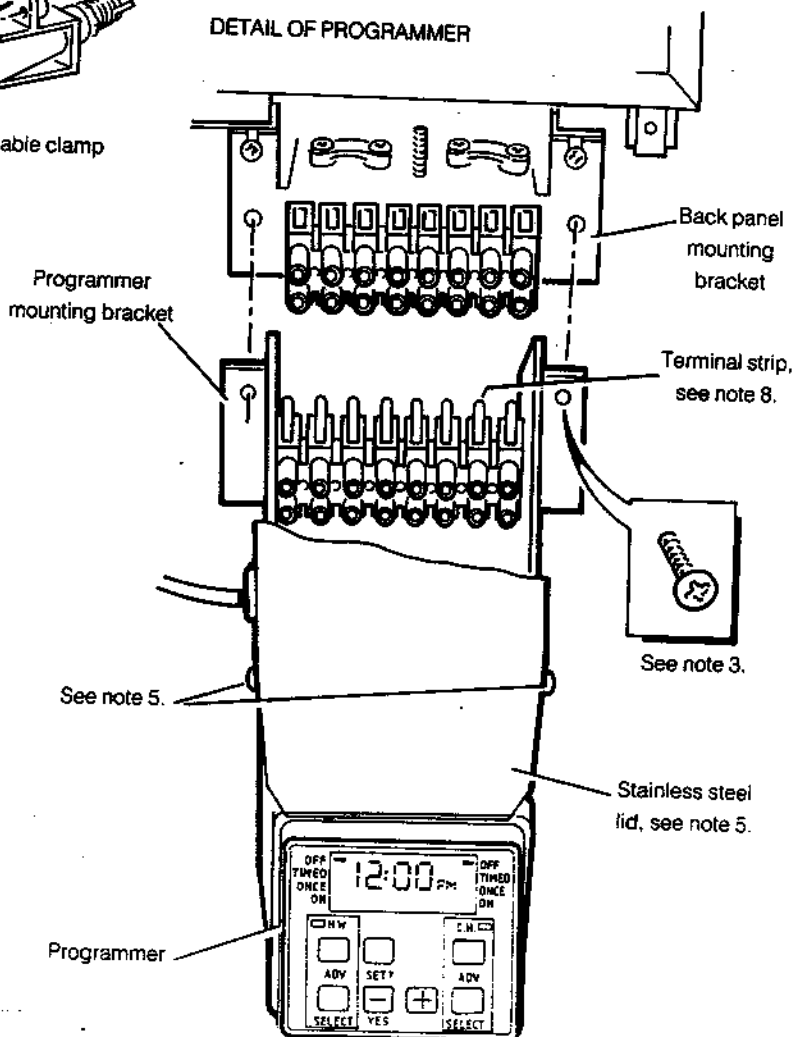
23 PROGRAMMER REPLACEMENT (if fitted)

DETAIL OF BOILER CONTROL BOX



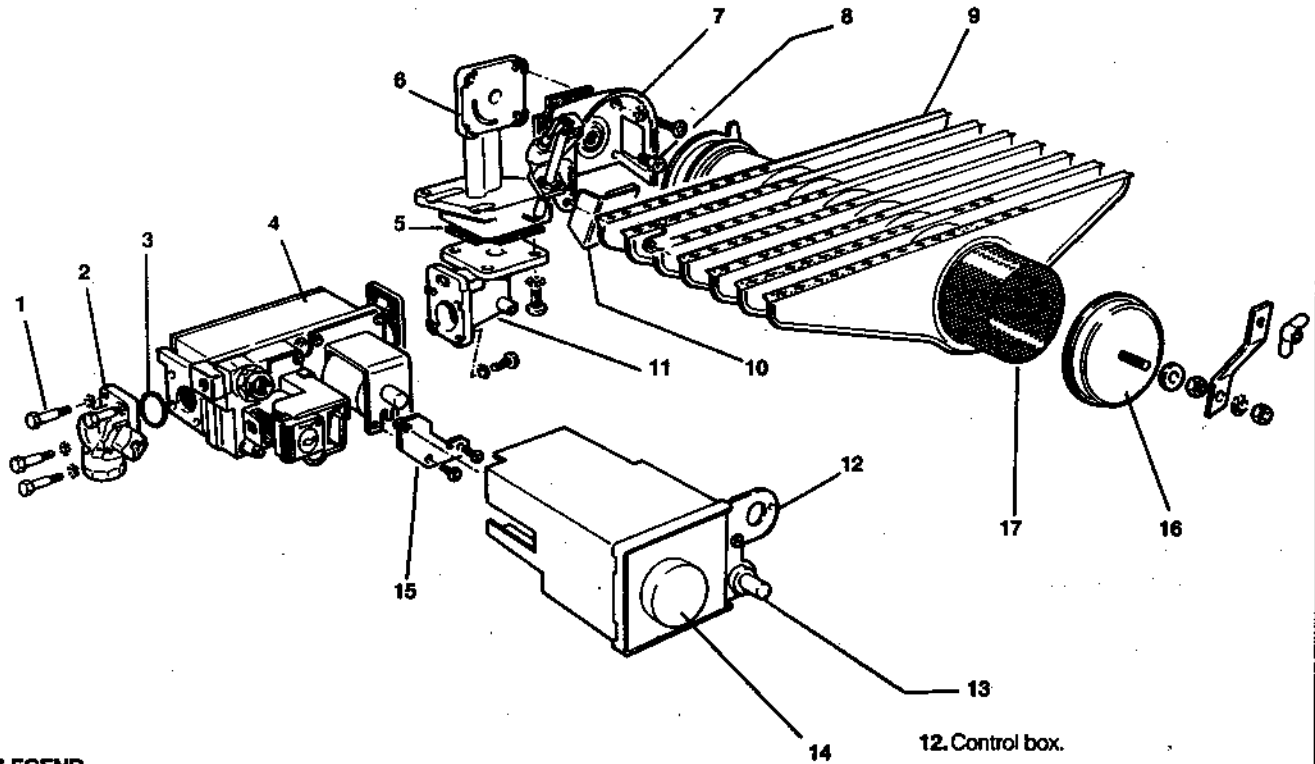
9. Remove the programmer, complete with its terminal strip and wiring harness.
10. Fit the new programmer, terminal strip and wiring harness in reverse order.
11. Set the programmer to the desired programme and test its functions.

DETAIL OF PROGRAMMER



1. Refer to Frame 9.
2. Remove the boiler control box lid and release the terminal strip fixing screw. Disconnect the 'L', 'N' & 'E' connections from the terminal strip and release the cable clamp.
3. Remove the 2 screws retaining the programmer mounting bracket to the back panel mounting bracket.
4. Pull the programmer mounting bracket downward and forward in order to disengage the terminal strip connection.
5. Remove the 2 screws fastening the stainless steel lid to the programmer mounting bracket and remove the lid.
6. Slide the programmer upwards in order to clear the mounting bracket.
7. Remove the strain relief bush retaining the control box feed cable and remove the earth lead from the earth post.
8. Remove the 3 screws retaining the terminal strip to the programmer mounting bracket.

24 BURNER AND CONTROLS - Exploded view



LEGEND

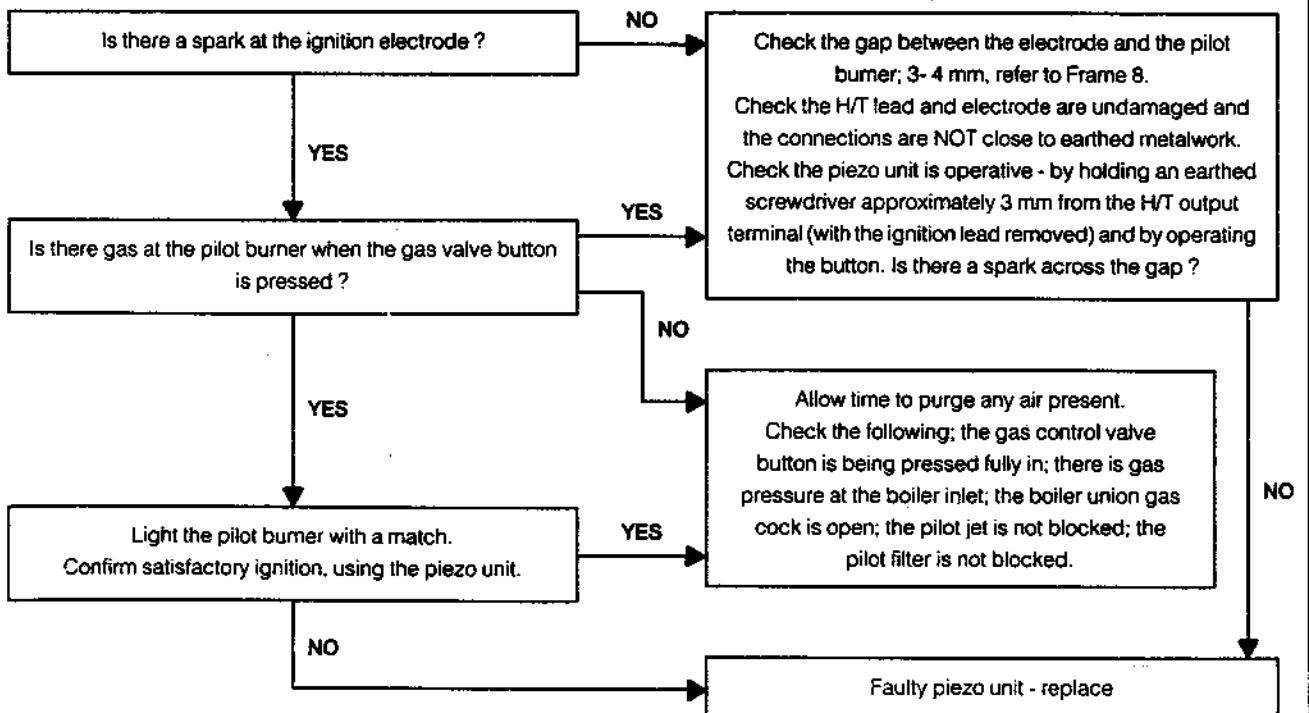
- | | | | |
|-----------------------|---------------------------------------|--------------------------|-----------------------------------|
| 1. Extended nuts. | 5. Sealing gasket. | 8. Main burner injector. | 12. Control box. |
| 2. Gas service cock. | 6. Burner manifold. | 9. Main burner. | 13. piezo unit. |
| 3. 'O' ring. | 7. Air box and pilot burner assembly. | 10. Pilot burner shield. | 14. Boiler thermostat knob. |
| 4. Gas control valve. | | 11. Manifold extension. | 15. Control box mounting bracket. |
| | | | 16. Burner end cap. |
| | | | 17. Lint gauze. |

FAULT FINDING

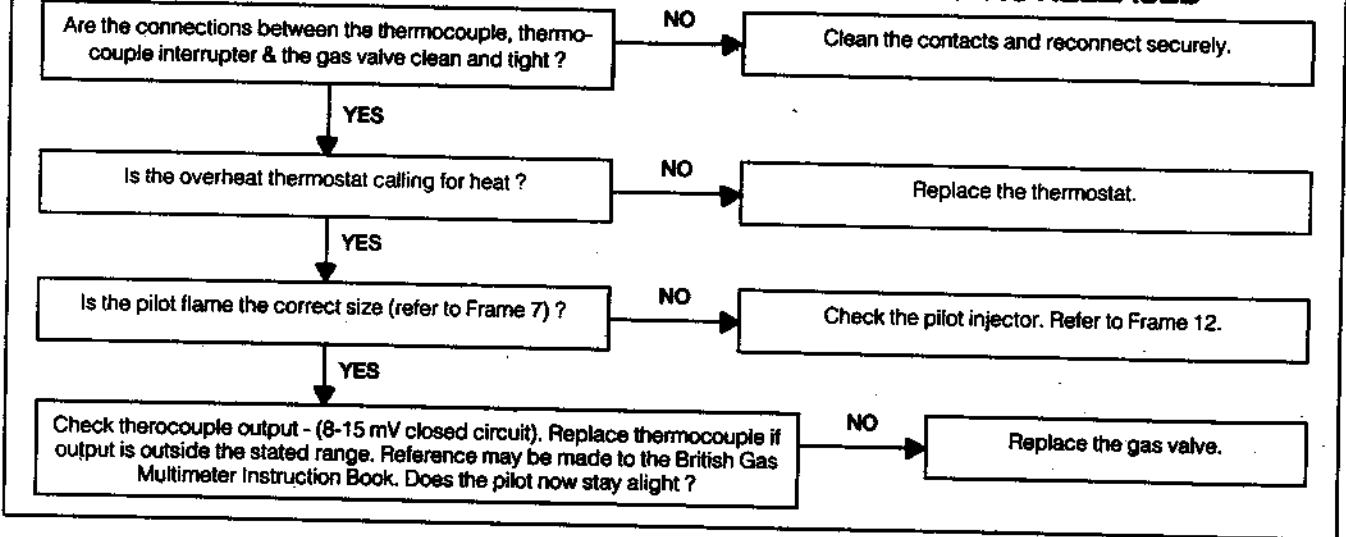
Before attempting any electrical fault finding, ALWAYS carry out the preliminary electrical system checks as detailed in the Instructions for the British Gas Multimeter, or similar test meter.

Detailed instructions on the cleaning & adjustment or replacement of faulty components are contained in the 'Servicing' section, of this publication.

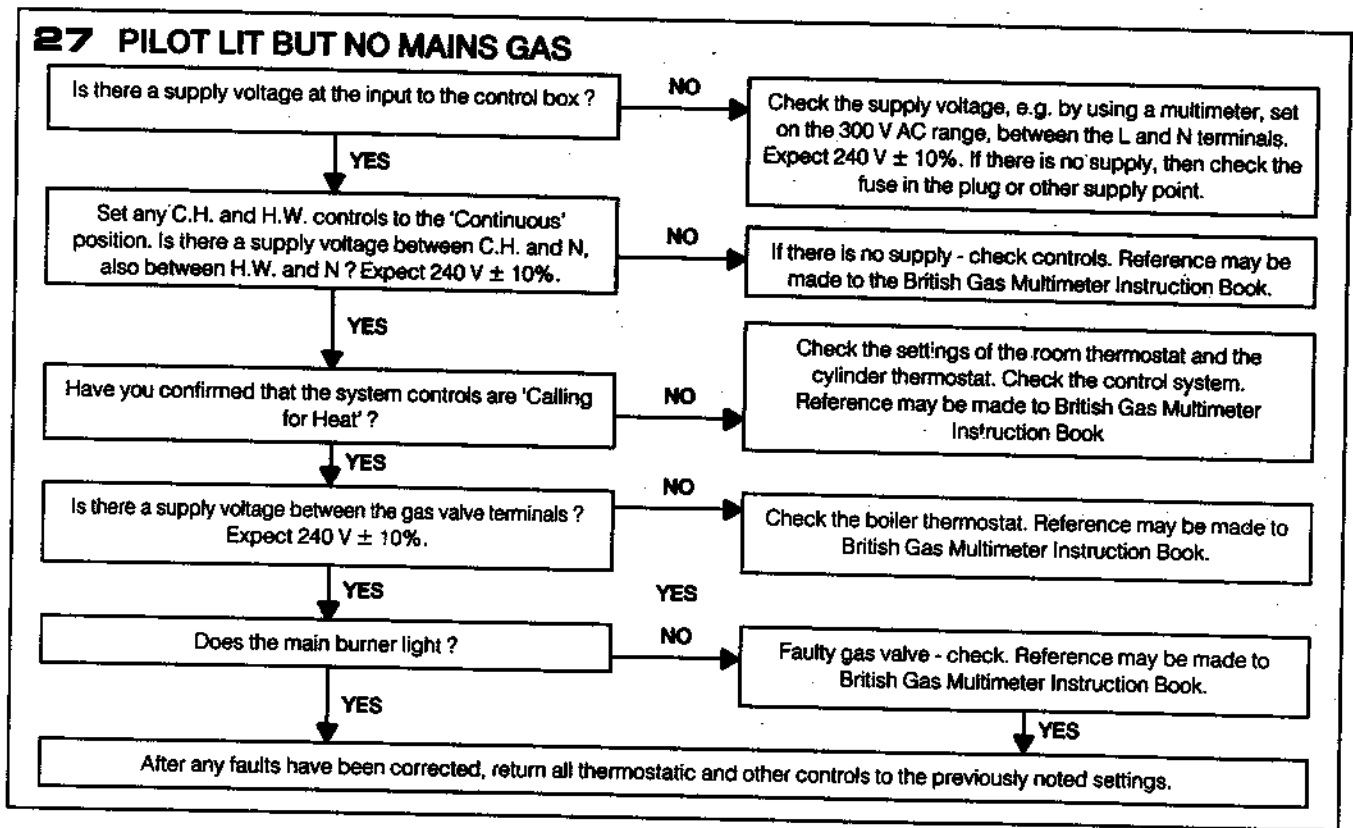
25 PILOT WILL NOT LIGHT



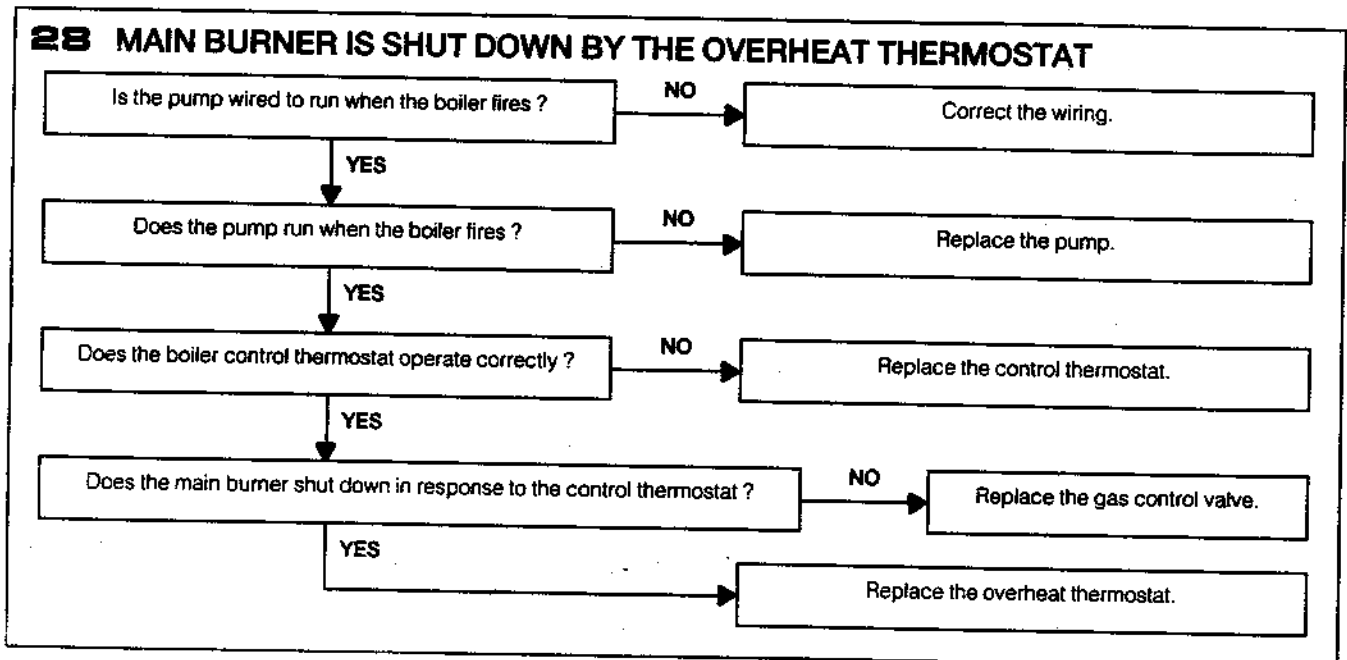
26 PILOT WILL NOT STAY LIT WHEN THE GAS VALVE BUTTON IS RELEASED



27 PILOT LIT BUT NO MAINS GAS



28 MAIN BURNER IS SHUT DOWN BY THE OVERHEAT THERMOSTAT



SERVICING

SHORT LIST OF PARTS

Ideal Elan 2 CF 230, CF 240, CF 250 and CF 260 Gas Boilers.

The following list comprises parts commonly required as replacement components due to damage, expendability, or such that their failure or absence is likely to affect safety or performance. The list is extracted from the British Gas List of Parts, which contains all available spare parts.

Details of the British Gas Lists are held by Gas regions, CARADON Distributors and by Merchants.

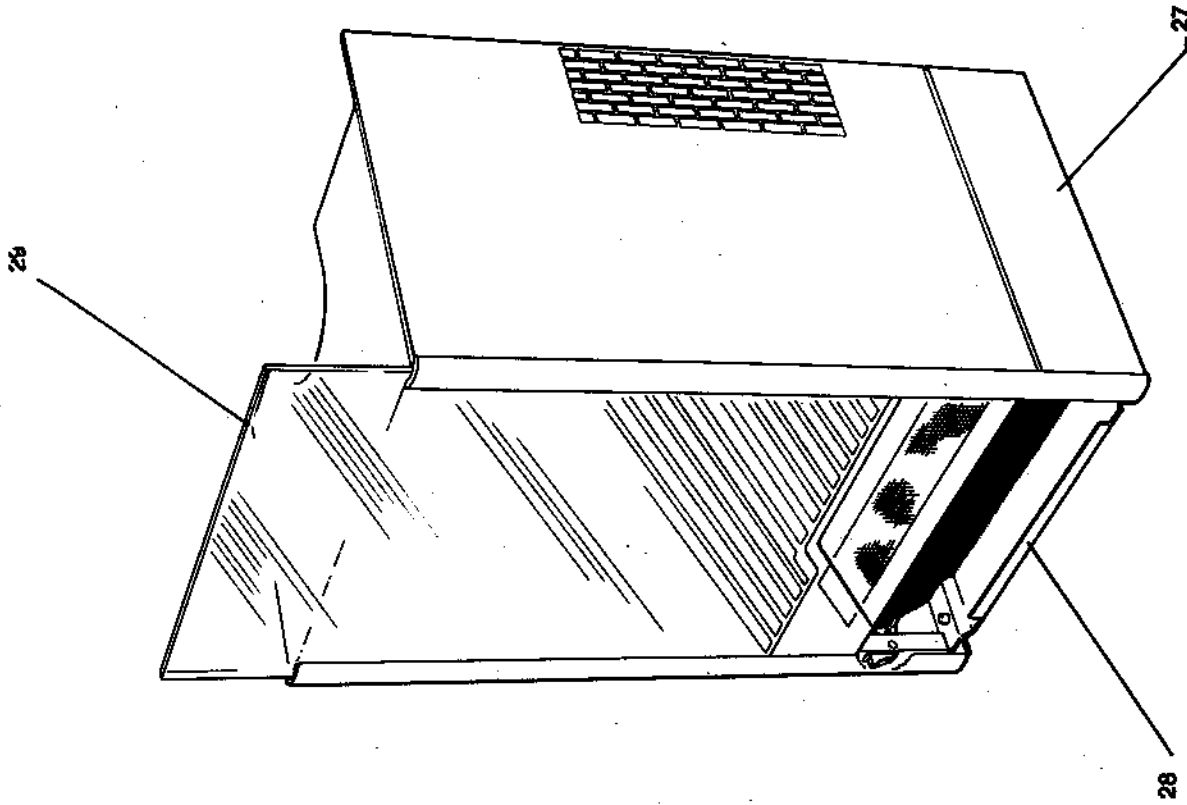
When ordering spares please quote:

1. Boiler Model
2. Appliance G.C. Number
3. Description
4. Maker's Part Number
5. Quantity

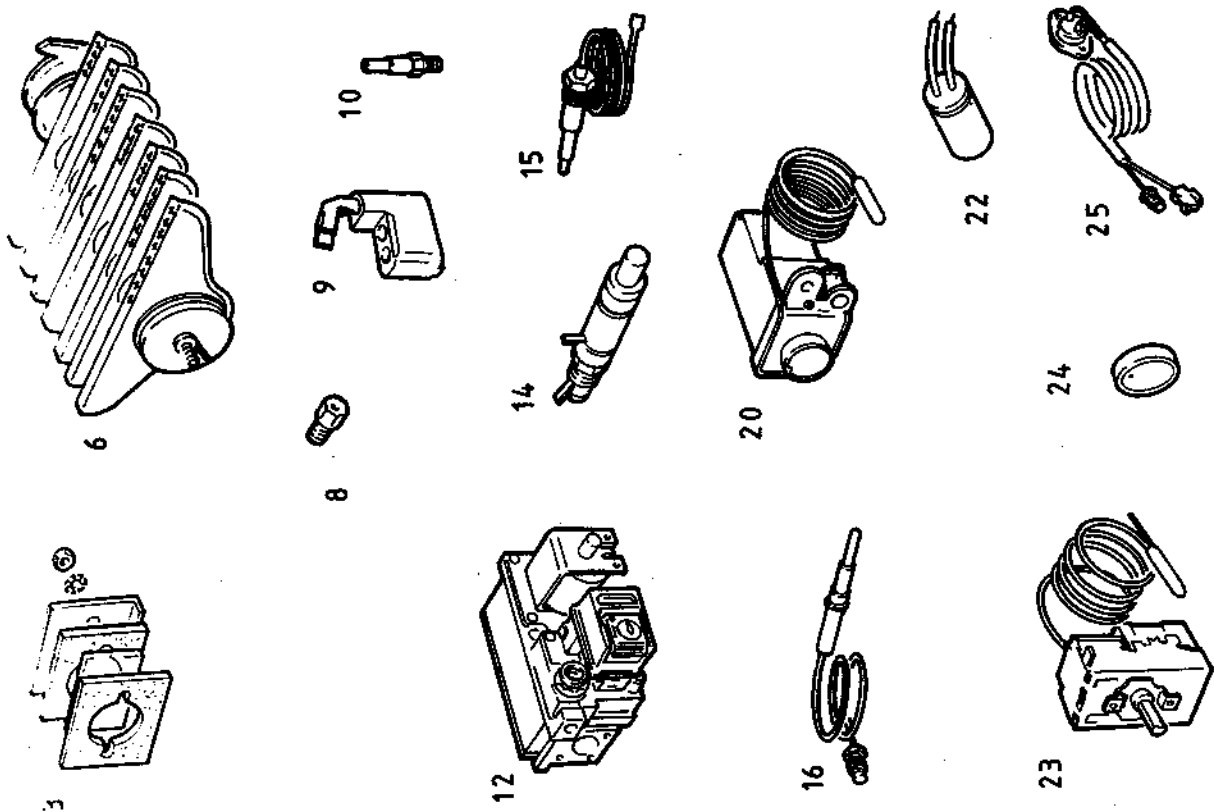
Key No.	G.C. Part No.	Description	No. Off	Makers Part No.
3	319 493	Sightglass assembly kit.	1	160 079 333
6		Main burner.		
	386 229	AEROMATIC No. AC 19/123 272 CF 230	1	160 113 212
	386 230	AEROMATIC No. AC 19/123 273 CF 240	1	160 113 213
	386 231	AEROMATIC No. AC 19/123 274 CF 250 & CF 260	1	160 113 214

8		Main burner injector.		
	398 315	BRAY Cat. 16 - size 750; CF 230	1	169 110 435
	398 323	BRAY Cat. 16 - size 1200; CF 240	1	169 120 450
	398 330	BRAY Cat. 16 - size 1500; CF 250	1	129 198 736
	398 332	BRAY Cat. 16 - size 1700; CF 260	1	189 456 061
9	308 347	Pilot burner. HONEYWELL Q 359 A 1124	1	589 614 085
10		Pilot burner injector.		
	386 131	HONEYWELL 45900421 - 001	1	589 624 084
12	308 348	Gas control valve. HONEYWELL V 4700 E 1072, 240 V	1	586 611 900
14	397 705	Piezo unit, VERNITRON 60080	1	589 830 086
15	308 317	Ignition electrode, VERNITRON No. 1414	1	589 614 088
16	390 131	Thermocouple, HONEYWELL Q 309 A 2846, 18 in. lg.	1	586 811 720
20	308 319	Control box, including thermostat, thermostat knob and suppressor assembly.	1	589 610 065
22	384 689	Suppressor assembly	1	589 040 030
23	386 139	Thermostat, RANCO K 36 - L 1016 with 48 in. capillary	1	589 610 051
24	308 012	Thermostat knob	1	589 070 052
25	392 922	Overheat thermostat, THERMODISC with E.C.O. leads and HONEYWELL interrupter	1	589 220 074
27	308 404	Boiler casing assembly - white stove enamel, with sightglass, foil insulation & bottom panel (less glass fascia).	1	189 834 035
28	308 410	Controls casing bottom panel.	1	189 830 081
29	308 388	Glass fascia.	1	189 734 035

30 BOILER CASING ASSEMBLY



29 SHORT PARTS





**THIS SYMBOL IS YOUR
ASSURANCE OF QUALITY**

These appliances are designed for use with Natural Gas only. They have been tested and conform with the provisions of BS. 6332 and BS. 5258.

Products bearing this Kitemark are made to a safety and performance standard under a stringent scheme of supervision and control monitored by the British Standards Institute.

CARADON IDEAL Ltd. pursues a policy of continuing improvement in the design and performance of its products. The right is therefore reserved to vary specification without notice.

CARADON IDEAL Ltd.

P.O. Box 103, National Avenue,

Kingston upon Hull,

North Humberside. HU5 4JN.

Telephone: 01482 492 251

Fax: 01482 448 858.

Registration No. London 322 137.

Registered Office; National Avenue, Kingston upon Hull,

North Humberside, HU5 4JN.

A subsidiary of Caradon p.l.c

August 1994 116 797 A04

BOILERS
Ideal

Customer Care & Technical Support

Please use the following numbers for speedy assistance.

Spares Tel: 01482 498 643

**Customer Care &
Technical Support** Tel: 01482 498 610

..... Fax: 01482 498 666

Publications/literature Tel: 01482 498 467