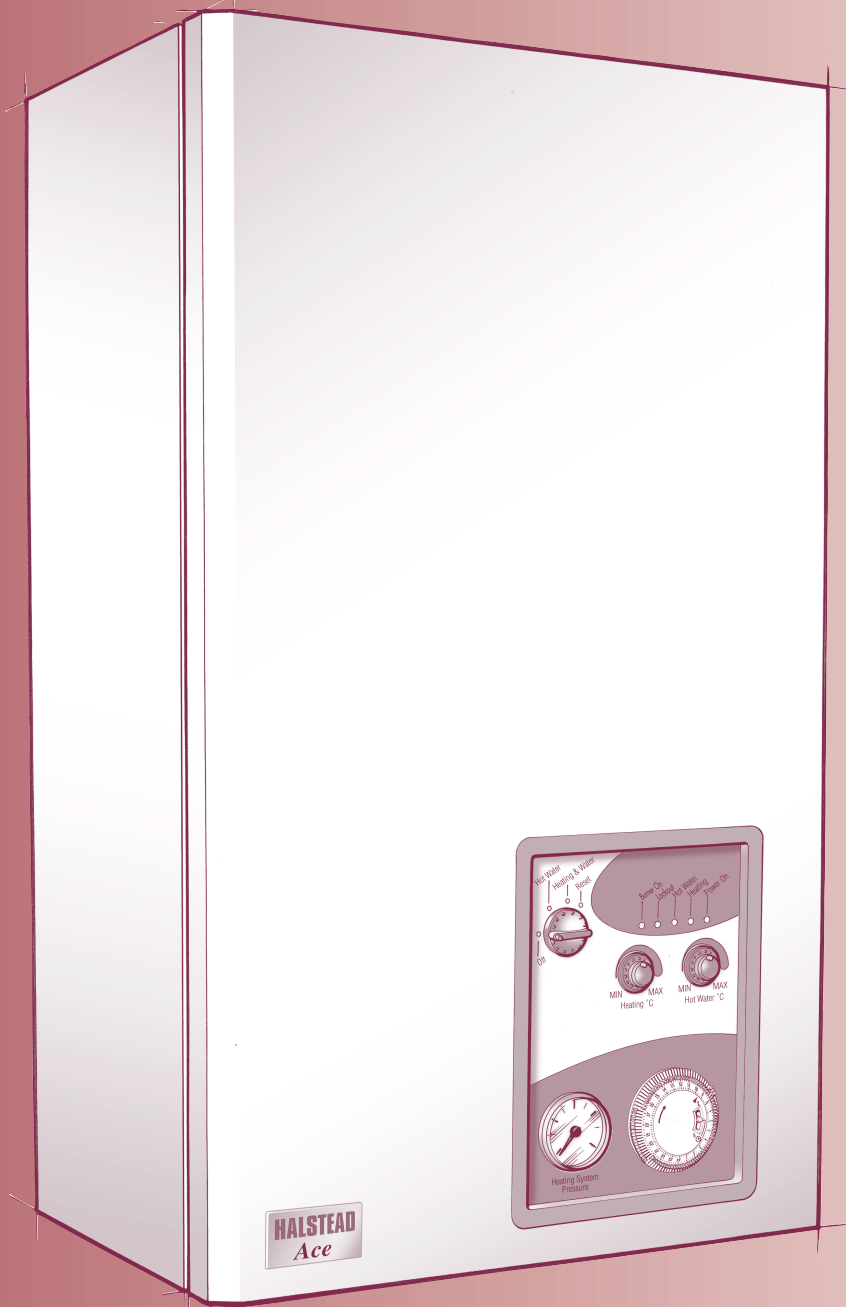


# HALSTEAD

*British Made Boilers*

## *Ace and Ace High*

*Wall Mounted Gas Combination Boiler*



## *Installation and Servicing Instructions*

*To be left with user adjacent to gas meter*

<b>1</b>	<b>GENERAL DESCRIPTION</b>	
<b>2</b>	<b>TECHNICAL SPECIFICATIONS</b>	<b>1</b>
2.1	Gas Categories	1
2.2	Performance data, Halstead Ace & Ace High	1
2.3	Minimum clearances, Halstead Ace & Ace High	1
2.4	General specifications, Halstead Ace & Ace High	1
2.5	Overall appliance dimensions	1
2.6	Concentric air/flue duct specifications	3
2.8	Exploded diagram	6
2.9	Hydraulic circuit	7
<b>3</b>	<b>INSTALLATION REQUIREMENTS</b>	<b>8</b>
3.1	Statutory requirements	8
3.2	Boiler location	8
3.3	Flue terminal position	9
3.4	Ventilation requirements	9
3.5	Gas supply	9
3.6	Central heating system	9
3.7	Domestic hot water systems	10
3.8	Electricity supply	10
3.9	External controls	10
<b>4.0</b>	<b>INSTALLING THE APPLIANCE</b>	<b>12</b>
4.1	Unpacking the appliance	12
4.2	Preparing the wall	12
4.3	Mounting the boiler	13
4.4	Service connections	13
4.5	Gas connection	13
4.6	Pressure relief valve connection	13
4.7	Air/flue duct installation	14
4.8	Wiring instructions	17
<b>5</b>	<b>COMMISSIONING AND TESTING</b>	<b>18</b>
5.1	Filling the water system	18
5.2	Commissioning the appliance	19
5.3	DHW flow rate	20
5.4	Final checks	20
5.5	Ignition lockout	20
5.6	Overheat thermostat	20
5.7	Frost protection	20
5.8	Other features	20
5.9	User's instructions	20
5.10	Boiler logbook	20
<b>6</b>	<b>ROUTINE SERVICING INSTRUCTIONS</b>	<b>21</b>
<b>7</b>	<b>INTERNAL WIRING DIAGRAMS</b>	<b>23</b>
7.1	Functional flow diagram	23
7.2	Illustrated wiring diagram	24
<b>8</b>	<b>FAULT FINDING</b>	<b>25</b>
8.1	General	25
8.2	Diagnostic indicator LED's	25
8.3	Ignition faults	25
8.4	DHW fault finding	25
8.5	Central heating fault finding	25
<b>9</b>	<b>REPLACEMENT OF PARTS</b>	<b>27</b>
9.1	Heat exchanger	27
9.2	Combustion chamber insulation	27
9.3	Fan assembly	27
9.4	Burner	27
9.5	Ignition and detection electrodes	27
9.6	Multifunctional gas control	27
9.6.1	Gas control replacement	27
9.6.2	Gas control and PCB burner pressure setting procedure	27
9.7	Air Pressure switch	28
9.8	Overheat thermostat	28
9.9	PCB	28
9.10	CH/DHW Microswitches	29
9.11	Thermistors D.H.W. or Heating	29
9.12	Water flow regulator	30
9.13	DHW heat exchanger	30
9.14	DHW flow switch body	30
9.15	Pump	30
9.16	Pressure relief valve	30
9.17	Pressure gauge	30
9.18	Auto air vent	30
9.19	System expansion vessel	31
9.20	Time clock	31
<b>10</b>	<b>SHORT PARTS LIST</b>	<b>31</b>
<b>11</b>	Supplementary instructions for flue systems with a vertical outlet	32

The **Halstead Ace** and **Ace High** are fully automatic wall-mounted, fan-assisted, balanced flue, gas combination appliances for use with natural gas (G20). They incorporate a microprocessor based, fully modulating, gas control system with direct burner ignition. The Ace High has a higher domestic hot water heat output and provides a higher flow rate.

Both the Halstead Ace and Ace High feature an attractive white stove enamelled casing with an inset control panel. The flue elbow and air ducts are also white stove enamelled to give a clean, attractive appearance to the installation.

The Ace High provides both central heating and instantaneous domestic hot water at outputs between 11 kW (37,500 BTU/h) and 30 kW (102,000 BTU/h). The Ace provides both central heating and instantaneous domestic hot water at outputs between 8.8 kW (30,000 Btu/h) and 24 kW (82,000 Btu/h).

Heat output is controlled according to demand (in both domestic hot water and central heating mode) by the modulating gas control valve. The appliance always gives priority to domestic hot water supply.

The appliance is supplied with a standard telescopic concentric air and flue duct system suitable for flue lengths of up to 820mm (32in). The duct assembly is connected to the boiler via a turret which can exit the boiler in any horizontal direction. Horizontal extension ducts may be fitted in accordance with and up to the maximum dimensions stated in these instructions.

A vertical outlet kit is also available for installations where an outside wall is not accessible and it is desired to fit the duct 'through the roof'.

Installation using the standard flue kit is described in the main text of these instructions and supplementary instructions at the rear of this booklet describe installation involving the vertical outlet kit. **NO OTHER FLUE KITS OR EXTENSIONS MAY BE USED WITH THIS APPLIANCE.**

The appliance can be installed from inside the room without access to the external wall providing that a wall liner is fitted and that the wall thickness is less than 0.5m (19in). The wall liner is available as an optional extra. See section 4 for further details. (Note: If the vertical outlet kit is to be used, access to the roof is necessary).

The appliance is designed for use with sealed primary water systems and incorporates a circulation pump, diverter valve assembly, pressure gauge, flow switch, safety valve and system expansion vessel. A separate DHW expansion vessel is not required. Isolation valves are fitted to the service connections, and an automatic heating bypass is fitted to maintain an adequate flow rate through the boiler.

If thermostatic radiator valves are installed we recommend that one radiator is fitted with lockshield valves (normally in the bathroom) to allow pump overrun circulation.

Internal frost protection is fitted as standard equipment. The boiler may be used with any certified mains voltage room thermostat.

An electro-mechanical 24hr time clock is fitted as standard.

**NOTE: British Standard BS7593: 1992 stresses the importance of cleansing and flushing of the system to ensure it continues to run efficiently with the minimum of maintenance necessary. Halstead Boilers fully support this professional approach and recommend that the system is cleansed with an effective chemical cleanser and protected long term with a suitable inhibitor. Such products are available from Fernox and Sentinel.**

## Gas Consumer Council

The Gas Consumer Council (GCC) is an independent organisation which protects the interest of gas users. If you need advice, you will find the telephone number in your local directory under 'Gas'.

# 2 TECHNICAL SPECIFICATIONS

## 2.1 GAS CATEGORIES AND APPLIANCE CLASSIFICATION

The appliances are Certified to comply with the requirements of EN 483 and EN 625 for use in GB and IE (Great Britain and Ireland) using the following gas categories:

Ace/Ace High: I<sub>2H</sub> (G20 with a governed gas supply at 20 mbar (8 in.wg) inlet pressure)

The appliance classification (as defined in EN 483) may be any of the following depending on the chosen flue option: C12 or C32.

## 2.2 PERFORMANCE DATA HALSTEAD ACE

The Seasonal Efficiency (SEDBUK) is 78.1 % and conforms with Band D. The efficiency value is used in the UK Government Standard Assessment (SAP) for energy rating of dwellings.

MODE	RATE	OUTPUT		INPUT Net		INPUT Gross		BURNER PRESSURE	
		kw	(Btu/h)	kw	(Btu/h)	kw	(Btu/h)	mbar	(in.wg)
Central Heating	Max	24	(82,000)	26.6	(90,900)	29.5	(100,890)	9.5	(3.8)
	Min.	11.6	(39,670)	13.5	(46,220)	15.0	(51,300)	2.5	(1.0)
DHW	Max	24	(82,000)	26.6	(90,900)	29.5	(100,890)	9.5	(3.8)
	Min.	8.8	(30,000)	11.1	(36,360)	11.8	(40,350)	1.4	(0.5)
Factory set CH		16.7	(57,114)	18.6	(60,000)	20.6	(70,430)	6.0	(2.3)

### GENERAL

Central Heating	Max. gas rate (after 10 mins operation i.e. hot)	2.81 m <sup>3</sup> /h	(100 ft <sup>3</sup> /h)
	Factory set gas rate (after 10 min operation)	2.0 m <sup>3</sup> /h	(71 ft <sup>3</sup> /h)
DHW	Min. domestic hot water flow rate	2.8 l/min	(0.6 gpm)
	Design domestic hot water performance	9.8/min (2.1 gpm)	raised 35°C
	Max. domestic hot water temperature		73+/-2°C
	Max. mains water inlet pressure	10 bar	(146 psi)
	Min. mains water inlet pressure for operation	0.3 bar	(4.4 psi)
	Min. mains water inlet pressure for max heat output	1.0 bar	(14.6 psi)
	Max gas rate (after 10 mins operation, i.e. hot)	2.81 m <sup>3</sup> /h	(100 ft <sup>3</sup> /h)

## HALSTEAD ACE HIGH

The Seasonal Efficiency (SEDBUK) is 78.5 % and conforms with Band D. The efficiency value is used in the UK Government Standard Assessment (SAP) for energy rating of dwellings.

MODE	RATE	OUTPUT		INPUT Net		INPUT Gross		BURNER PRESSURE	
		kw	(Btu/h)	kw	(Btu/h)	kw	(Btu/h)	mbar	(in.wg)
Central Heating	Max	30	(102,400)	32.6	(111,547)	36.2	(123,800)	14.6	(5.8)
	Min.	11.0	(37,620)	13.5	(46,220)	14.2	(48,564)	2.4	(1.1)
DHW	Max	30	(102,400)	32.6	(111,547)	36.2	(123,800)	14.6	(5.8)
	Min.	8.8	(30,000)	11.1	(36,360)	11.8	(40,350)	1.4	(0.5)
Factory set CH		16.7	(57,114)	18.6	(60,000)	20.6	(70,430)	6.0	(2.3)

### GENERAL

Central Heating	Max gas rate (after 10 mins operation, i.e. hot)	3.6 m <sup>3</sup> /h	(128 ft <sup>3</sup> /h)
	Factory set gas rate (after 10 min operation)	2.0 m <sup>3</sup> /h	(100 ft <sup>3</sup> /h)
DHW	Min. domestic hot water flow rate	2.8 l/min	(0.6 gpm)
	Design domestic hot water performance	13.0 l/min (2.9 gpm)	raised 35°C
	Max. domestic hot water temperature		73+/-2°C
	Max. mains water inlet pressure	10 bar	(146 psi)
	Min. mains water inlet pressure for operation	0.3 bar	(4.4 psi)
	Min. mains water inlet pressure for max heat output	1.0 bar	(14.6 psi)
	Max gas rate (after 10 mins operation, i.e. hot)	3.6 m <sup>3</sup> /h	(100 ft <sup>3</sup> /h)

## 2.3 MINIMUM CLEARANCES

Minimum clearances for installing and servicing the appliance refer to Fig. 1(b) below.

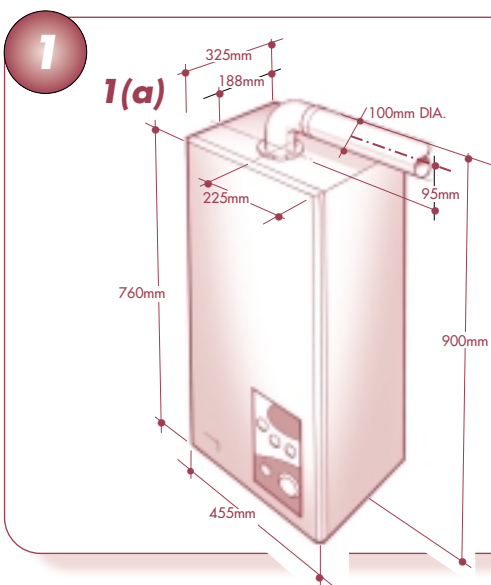
## 2.4 GENERAL SPECIFICATIONS

Main burner injector	Ø 1.30 mm x 13
Total water capacity	1 litre
Minimum CH system pressure (static head) - Cold	0.5 bar
Maximum CH system pressure (static head) - Hot	2.5 bar
Empty weight	45.5kg
Max lift weight	35kg
Total weight (full)	46.5kg
Electrical supply	230V - 50 Hz Fuse at 3A
Internal fuses	F 4 amp ceramic
Maximum power consumption	160W
Max CH flow temperature	85°C 185°F
Integral expansion vessel capacity	8 ltr. capacity

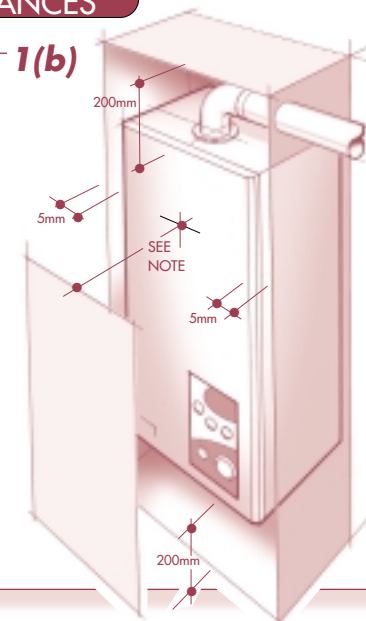
## CONNECTION SIZES

Gas	15mm compression
Central heating flow	22mm compression
Central heating return	22mm compression
Domestic water inlet	15mm compression
Domestic water outlet	15mm compression
Pressure relief valve outlet	15mm tail

## 2.5 OVERALL DIMENSIONS AND MINIMUM CLEARANCES



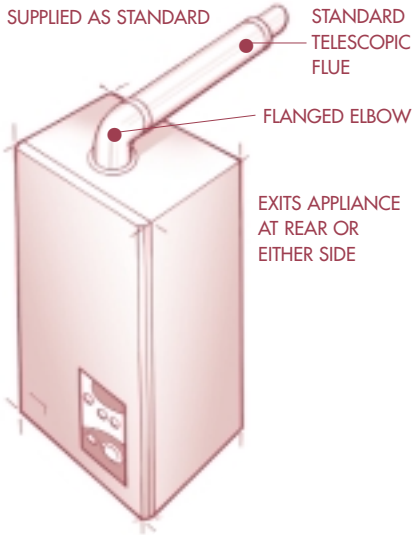
NOTE:  
10mm for normal operation  
450mm for installation and servicing



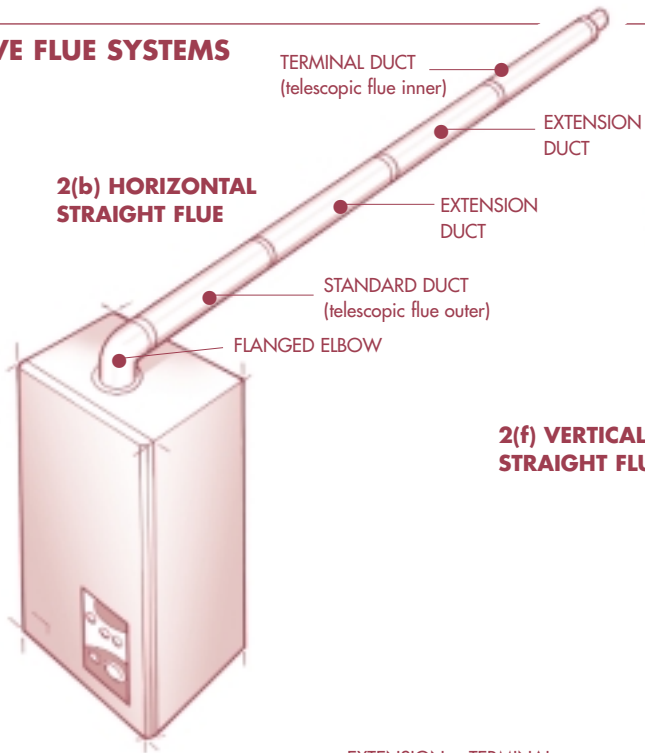
**EXAMPLES OF ALTERNATIVE FLUE SYSTEMS**

**2(a) HORIZONTAL STRAIGHT FLUE**

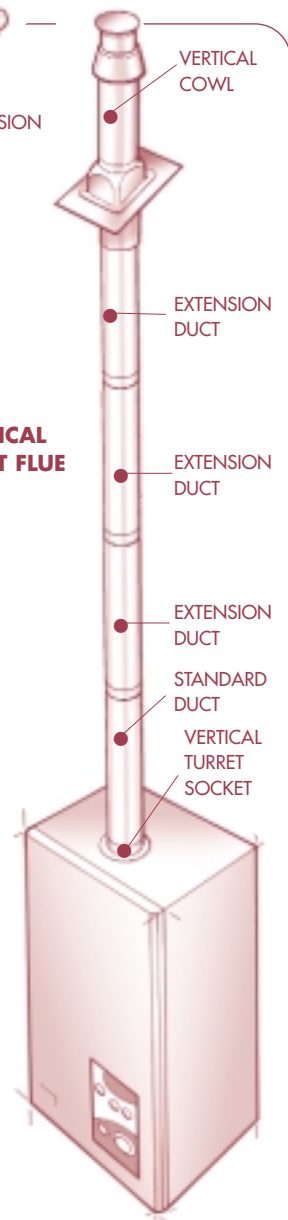
SUPPLIED AS STANDARD



**2(b) HORIZONTAL STRAIGHT FLUE**

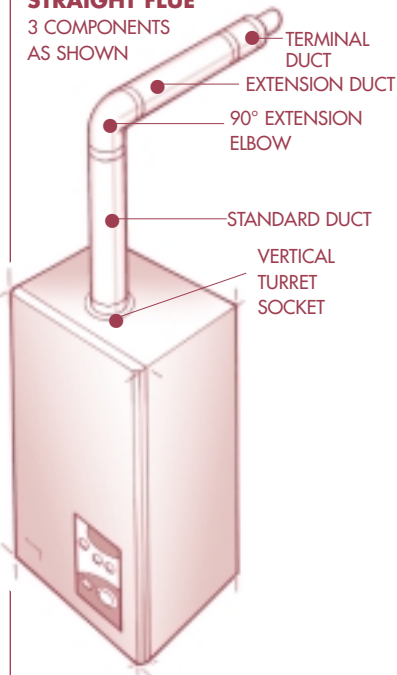


**2(f) VERTICAL STRAIGHT FLUE**

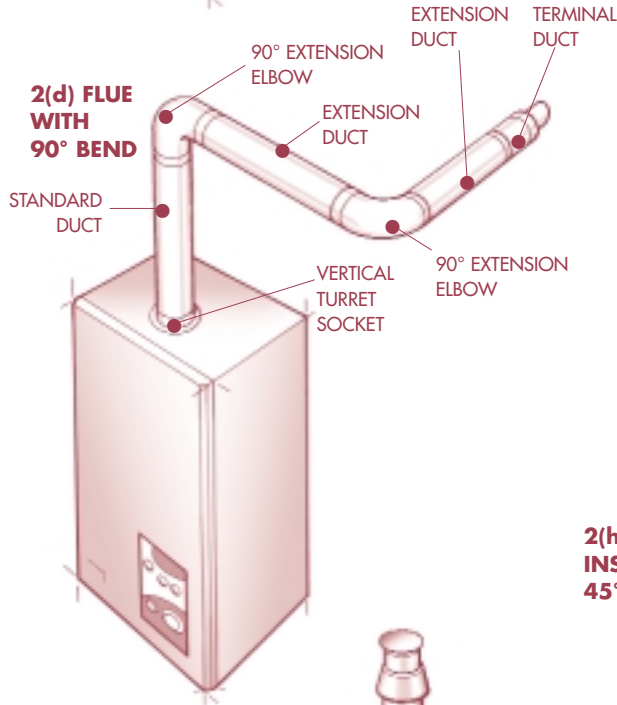


**2(c) RAISED HORIZONTAL STRAIGHT FLUE**

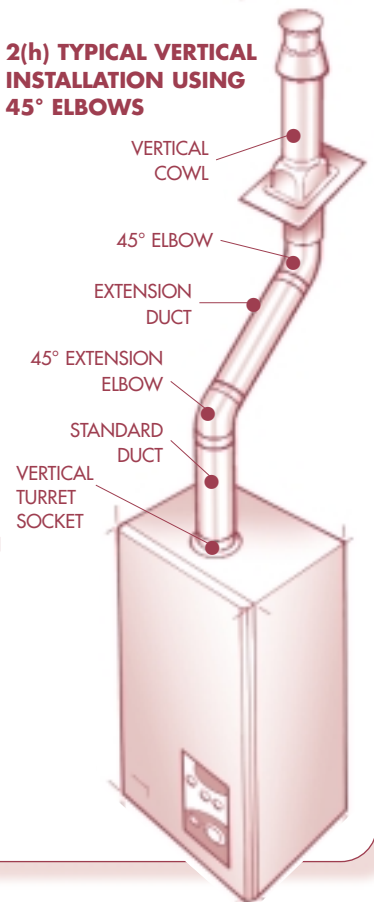
3 COMPONENTS AS SHOWN



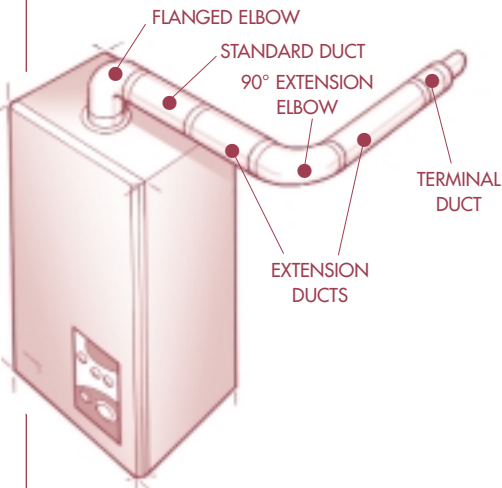
**2(d) FLUE WITH 90° BEND**



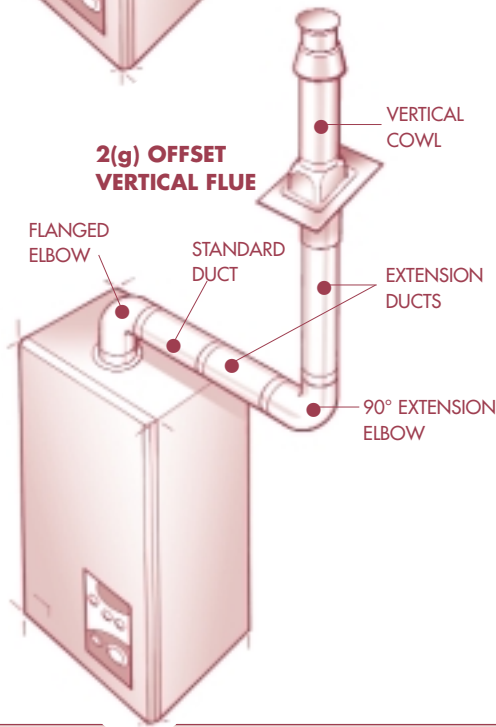
**2(h) TYPICAL VERTICAL INSTALLATION USING 45° ELBOWS**



**2(e) HORIZONTAL FLUE WITH 90° BEND**



**2(g) OFFSET VERTICAL FLUE**



The appliance is supplied complete with a standard telescopic flue kit. This comprises a standard duct and a terminal duct and can be used for flue lengths between 506mm and 820mm without cutting the ducts. To use terminal duct for flue length between 300 and 506 mm the ducts need cutting. Avoid swarf and sharp edges to maintain telescopic function

The following additional concentric kits are available as optional extras.

**Extension duct** (each extension extends the flue length by up to 767 mm)

**90° Extension Elbow** (Allows an additional bend in the flue and has an 'equivalent length' of 767 mm.) This elbow is mechanically different from the flanged elbow supplied as standard with the appliance, but has the same equivalent length of 767mm.

**45° Extension Elbow** Allows an additional bend in the flue and has an 'equivalent length' of 384mm.

**Vertical Turret Socket** (for use with elevated horizontal flues and vertical cowls)

**Vertical Roof Terminal.** (For use where an external wall is not available)

These optional kits may be used with the standard flue kit to produce an extensive range of flue options. Examples are illustrated in Figure 2. Variations upon these illustrations may be used providing that the following rules are strictly obeyed.

**a)** The maximum/minimum permissible allowable length of the flue system is:

**Ace**

horizontal flue terminal - maximum 4000 mm (118 in)

vertical flue terminal - maximum 4618 mm (182 in)

horizontal flue terminal - minimum 300mm

vertical flue terminal - minimum 565 mm

**Ace High**

horizontal flue terminal - maximum 2000 mm (157 in)

vertical flue terminal - maximum 3851 mm (151 in)

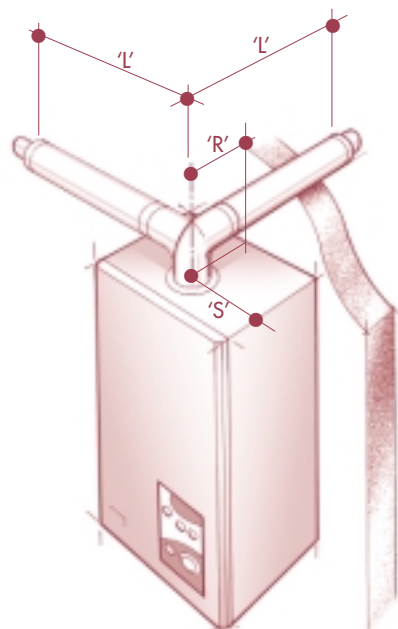
horizontal flue terminal - minimum 300mm

vertical flue terminal - minimum 565 mm

3

### SPECIFICATION FOR STANDARD AND EXTENDED STRAIGHT FLUES

(Refer to section 2.6(a) for maximum allowable lengths)



**3(a)**

**Fig 3a - Standard flue assembly using either side or rear outlet.**

Flue length 'L' (measured from the boiler outlet centre line to the outside wall face) = max 820

'R' distance from boiler outlet centre to rear of boiler = 188mm

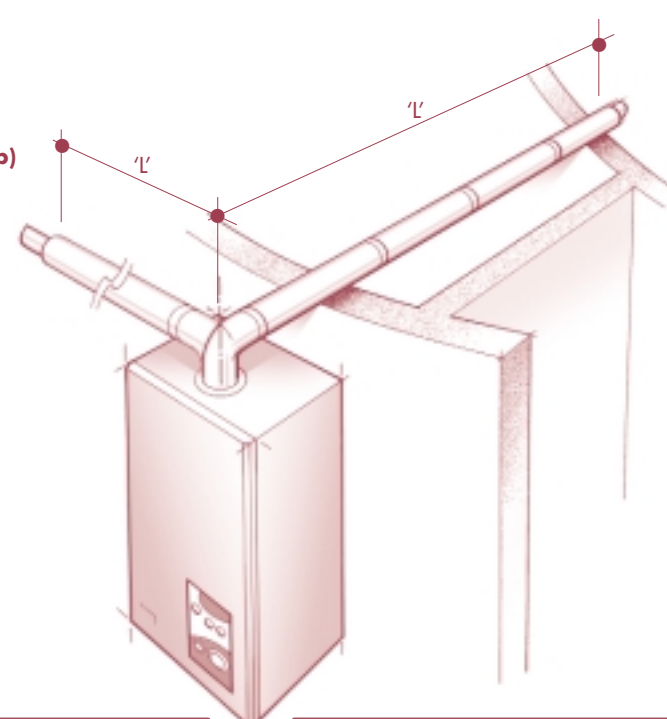
'S' distance from boiler centre to side of boiler = 225mm

(Allow for minimum clearance of 5mm at side of boiler)

**Fig 3b - Standard flue assembly with optional straight extensions using either side or rear outlet**

Maximum flue length 'L' (measured from the boiler outlet centre line to the outside wall face).

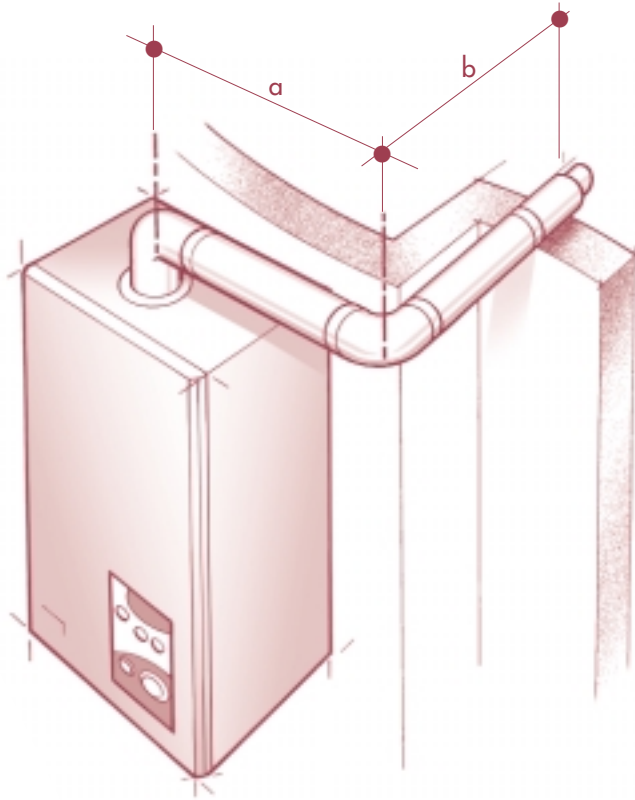
Ace = 4000mm, Ace High = 2000mm



**3(b)**

4

**SPECIFICATION FOR FLUE SYSTEMS WITH AN EXTRA 90° ELBOW**



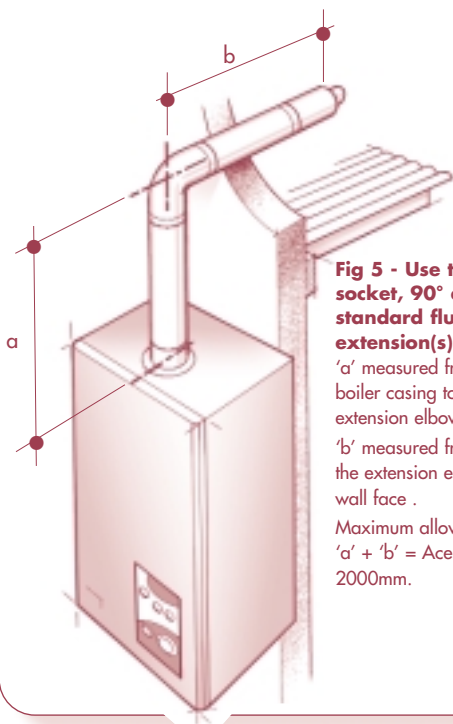
**Fig 4 - Use of the flanged elbow, extension(s), 90° extension elbow, and standard flue assembly.**

Maximum allowable flue length of 'a' + 'b' = Ace 3233mm, Ace High 1233mm.

(i.e maximum horizontal flue lengths minus resistive length of 767mm for 90° extension elbow.)

5

**SPECIFICATION FOR FLUE SYSTEMS WITH AN ELEVATED FLUE SYSTEM**



**Fig 5 - Use the vertical turret socket, 90° extension elbow, standard flue assy & extension(s)**

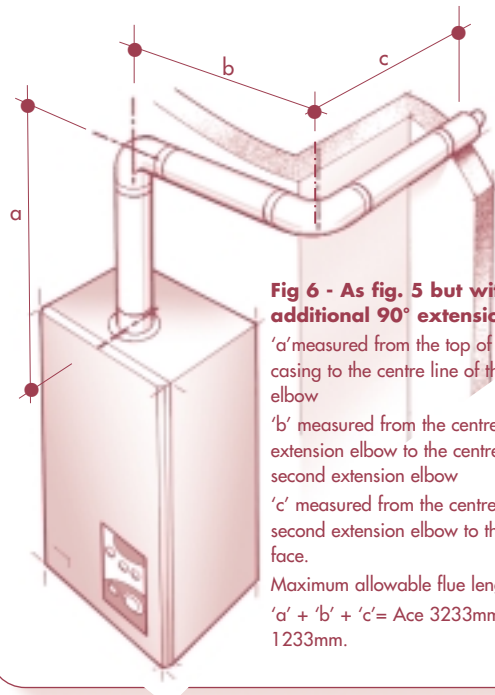
'a' measured from the top of the boiler casing to the centre line of the extension elbow.

'b' measured from the centre line of the extension elbow to the outside wall face .

Maximum allowable flue length of 'a' + 'b' = Ace 4000mm, Ace High 2000mm.

6

**SPECIFICATION FOR FLUE SYSTEMS WITH AN ELEVATED FLUE SYSTEM INCORPORATING BENDS**



**Fig 6 - As fig. 5 but with additional 90° extension elbow.**

'a' measured from the top of the boiler casing to the centre line of the extension elbow

'b' measured from the centre line of the extension elbow to the centre line of the second extension elbow

'c' measured from the centre line of the second extension elbow to the outside wall face.

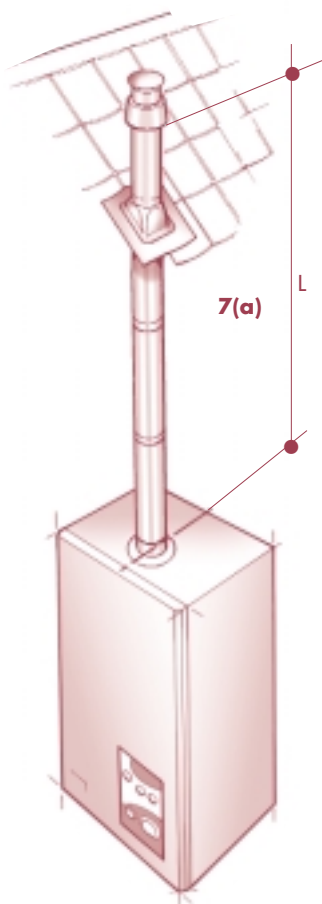
Maximum allowable flue length of 'a' + 'b' + 'c' = Ace 3233mm, Ace High 1233mm.

- b) The standard terminal must always be fitted horizontally. The vertical terminal must always be used if a vertical outlet is required.
- c) The flue must only terminate in a horizontal or vertical position. However 90° flue elbows may be used to drop the height of the flue system by 500mm.
- d) The flue system must use either a flanged elbow or a vertical flue turret socket at the entry/exit to the appliance.
- e) All joints must be correctly made and secured in accordance with the installation instructions.

Refer to Figures 3 to 7 to determine which option kits are required before commencing the installation.

Installation instructions for installing the appliance with a standard flue and straight extension ducts (Fig. 3) are included in the main text of these instructions (section 4.7). Additional instructions for flue systems incorporating a vertical outlet (Fig. 7) are given in the supplements at the rear of this booklet.

## 7 SPECIFICATION FOR VERTICAL FLUE SYSTEMS

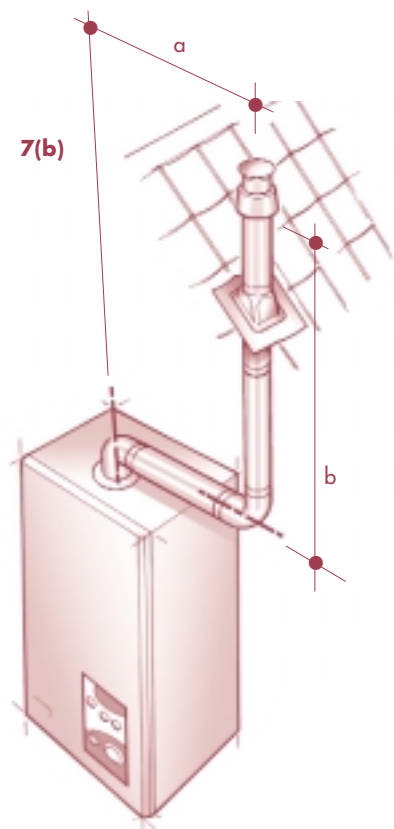


**Fig 7(a) Vertical flue assembly with:**

Vertical turret socket, standard duct, vertical roof terminal and extension(s) where required.

'L' measured from the top of the boiler casing to the underside of the air cowl.

Maximum allowable flue length of 'L' = Ace 4618mm, Ace High 3851mm

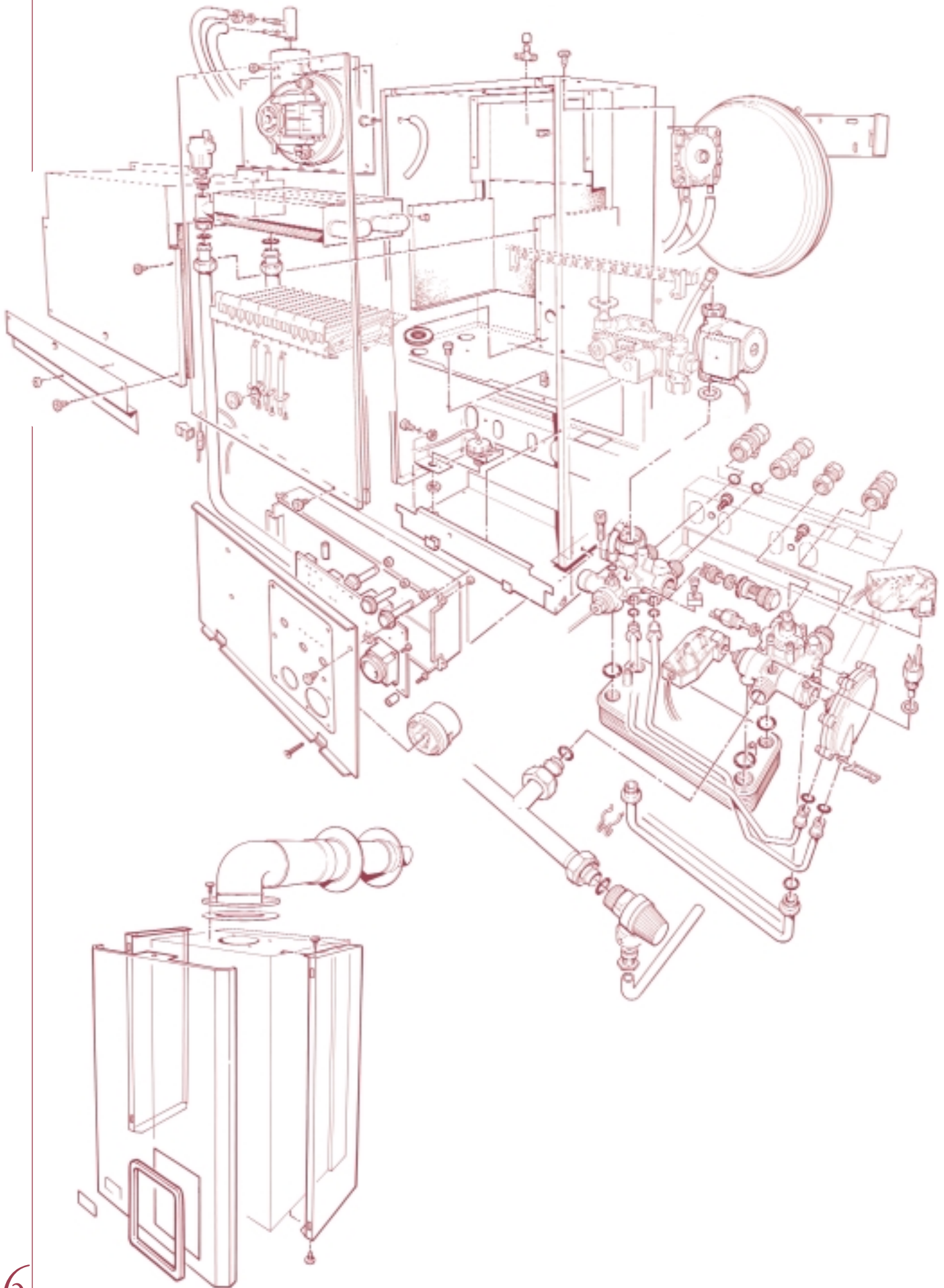


**Fig 7(b) - Offset vertical flue**

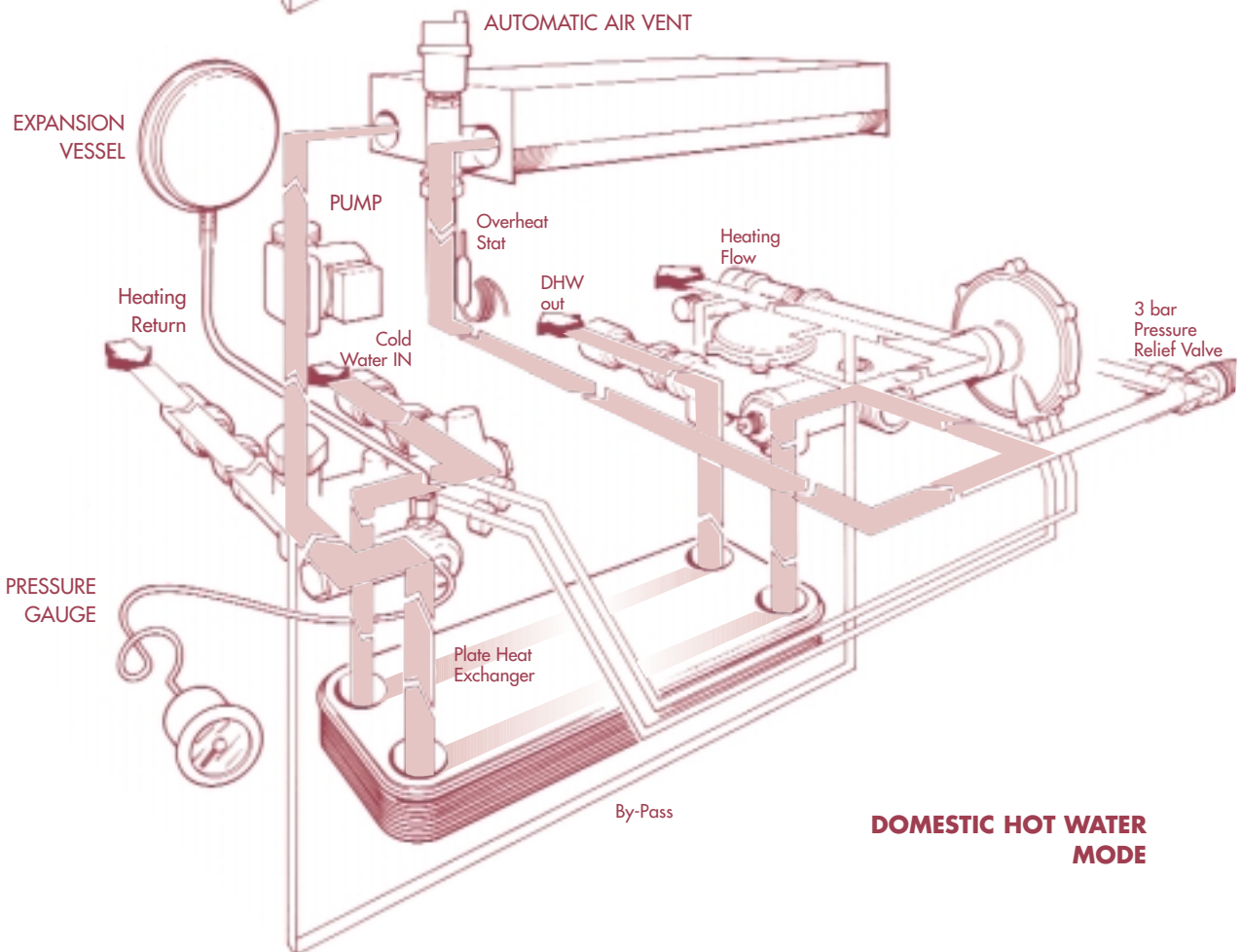
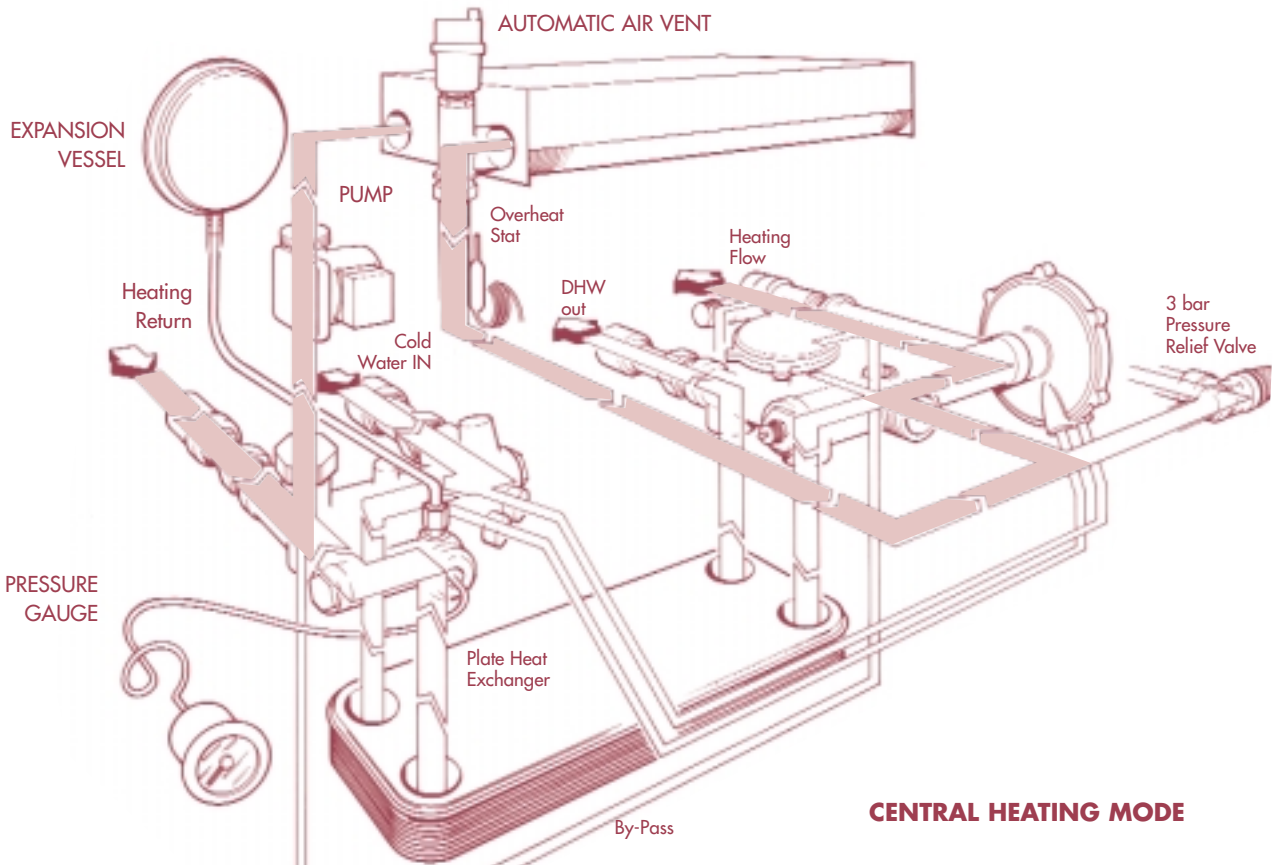
'a' measured from the boiler outlet centre line to the centre line of the extension elbow

'b' measured from the centre line of the extension elbow to the underside of the air cowl..

Maximum allowable flue length of 'a' + 'b' = Ace 3084mm, Ace High 2317mm







# 3

## INSTALLATION REQUIREMENTS

### 3.1 STATUTORY REQUIREMENTS

#### GAS SAFETY (INSTALLATION AND USE) REGULATIONS (CURRENT EDITION)

It is the law that all gas appliances are installed by a registered person, in accordance with the rules in force. Failure to install appliances correctly could lead to prosecution. It is in your own interest, and that of safety, to ensure that the law is complied with.

In addition to the above regulations, this appliance must be installed in accordance with the current IEE Wiring Regulations for electrical installation, (BS 7671), local building regulations, the Building Standards (Scotland) (Consolidation) Regulations, bye laws of the local water undertaking and Health and Safety Document No. 635 'The Electricity at Work Regulations 1989'.

It should also be in accordance with the relevant recommendations in the current editions of the following British Standards and Codes of Practice: BS5449, BS5546, BS5440-1:2000, BS5440-2:2000, BS6798, BS6891, Institute of Gas Engineers document IGE/UP-7, BS7074 (Expansion vessels).

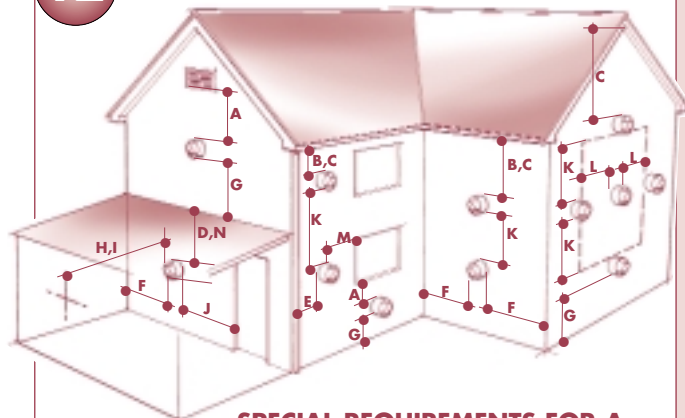
**IMPORTANT NOTE:** Manufacturer's instructions must NOT be taken in any way as overriding statutory obligations.

### 3.2 BOILER LOCATION

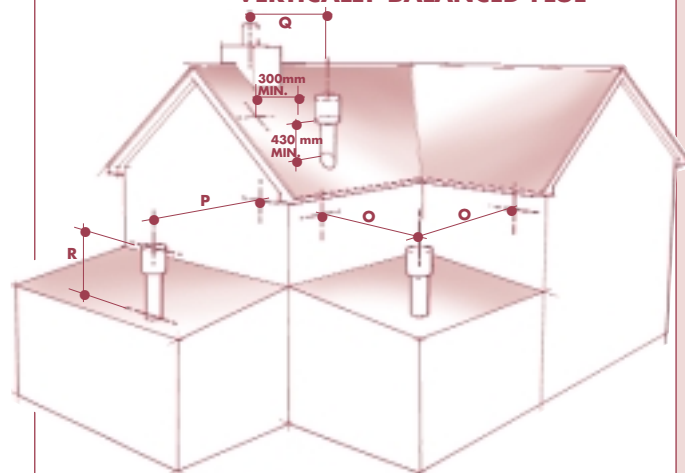
The following limitations MUST be observed when siting the boiler:

- The boiler is not suitable for external installation. The position selected for installation should be within the building, unless otherwise protected by a suitable enclosure, and MUST allow adequate space for installation, servicing, and operation of the appliance, and for air circulation around it. (Section 2.3 and 3.4)
- This position MUST allow for a suitable flue system and terminal position. (Section 2.6 and 3.3) The combination boiler must be installed on a flat vertical wall which is capable of supporting the weight of the appliance and any ancillary equipment.
- If the combination boiler is to be fitted in a timber framed building it should be fitted in accordance with the British Gas publication 'Guide for Gas Installations In Timber Frame Housing', Institute of Gas Engineers document IGE/UP-7. If in doubt, advice must be sought from the Local Gas Supplier.
- If the appliance is to be installed in a room containing a bath or a shower, any electrical switch or control utilising mains electricity must be so situated that it cannot be touched by a person using the bath or shower. Attention is drawn to the requirements of the current I.E.E. Wiring Regulations (BS7671), and in Scotland the electrical provisions of the Building Regulations applicable in Scotland.
- A compartment used to enclose the appliance MUST be designed and constructed specifically for this purpose. An existing cupboard, or compartment, may be used provided it is modified accordingly. BS 6798 gives details of the essential features of cupboard / compartment design, including airing cupboards.
- Where installation will be in an unusual location, special procedures may be necessary. BS 6798 gives detailed guidance on this aspect.

### 12 FLUE TERMINAL POSITION



#### SPECIAL REQUIREMENTS FOR A VERTICALLY BALANCED FLUE



Position	Minimum spacing	
<b>A</b> Directly below an openable window, air vent, or any other ventilation opening	300mm	12in
<b>B</b> Below gutter, drain/soil pipe	75mm	3in
<b>C</b> Below eaves	200mm	8in
<b>D</b> Below a balcony	200mm	8in
<b>E</b> From vertical drain pipes and soil pipes	150mm	6in
<b>F</b> From internal or external corners	300mm	12in
<b>G</b> Above adjacent ground or balcony level	300mm	12in
<b>H</b> From a surface facing the terminal	600mm	24in
<b>I</b> Facing terminals	1200mm	48in
<b>J</b> From opening (door/window) in carport into dwelling	1200mm	48in
<b>K</b> Vertically from a terminal on the same wall	1500mm	60in
<b>L</b> Horizontally from a terminal on the same wall	300mm	12in
<b>M</b> Adjacent to opening	300mm	12in
<b>N</b> Below carport	600mm	24in
<b>O</b> From adjacent wall	300mm	12in
<b>P</b> From adjacent opening window	1000mm	40in
<b>Q</b> From another terminal	600mm	24in
<b>R</b> Minimum height	300mm	12in

### 3.3 FLUE TERMINAL POSITION

Detailed recommendations for flue installation are given in BS 5440:1. The following notes are for general guidance.

- The boiler **MUST** be installed so that the terminal is exposed to the external air.
- It is important that the position of the terminal allows free passage of air across it at all times.
- It is **ESSENTIAL TO ENSURE** that products of combustion discharging from the terminal cannot re-enter the building, or any other adjacent building, through ventilators, windows, doors, other sources of natural air infiltration, or forced ventilation / air conditioning.
- The minimum acceptable dimensions from the terminal to obstructions and ventilation openings are specified in Fig.12.
- If the terminal discharges into a pathway or passageway check that combustion products will not cause nuisance and that the terminal will not obstruct the passageway.
- Where the lowest part of the terminal is fitted less than 2m (78ins) above ground, above a balcony or above a flat roof to which people have access, the terminal **MUST** be protected by a purpose designed guard. (Available as an optional extra)
- The air inlet / flue outlet duct **MUST NOT** be closer than 25mm (1in) to combustible material.
- In certain weather conditions the terminal may emit a plume of steam. This is normal but positions where this would cause a nuisance should be avoided.

### 3.4 VENTILATION REQUIREMENTS

Detailed recommendations for air supply are given in BS 5440:2. The following notes are for general guidance.

- It is not necessary to have a purpose provided air vent in the room or internal space in which the appliance is installed.
- If the boiler is to be installed in a wall cupboard permanent air vents are required for cooling purposes in the cupboard at both high and low levels. Both air vents must communicate with either the same internal room / space or be on the same wall to external air. Each air vent communicating with another room or internal space must have a minimum effective area of:

Ace	- 300cm <sup>2</sup> (46.5in <sup>2</sup> )
Ace High	- 337cm <sup>2</sup> (52.in <sup>2</sup> )

If the ventilation is direct to air from outside the building, the necessary areas quoted above may be halved.

**If the cupboard or compartment is full room height (2.3 m min.) then NO purpose made ventilation is required.**

### 3.5 GAS SUPPLY

- The Gas Supplier should be consulted at the installation planning stage in order to establish the availability of an adequate supply of gas.
- An existing service pipe **MUST NOT** be used without prior consultation with the Gas Supplier.
- A gas meter can only be connected by the Gas Supplier or by their contractor.

- An existing meter and/or pipework should be of sufficient size to carry the maximum boiler input plus the demand of any other installed appliance. (BS 6891: 1988). **A minimum of 22mm dia. pipework is required to within 1 metre of the appliance gas cock.**
- The governor at the meter must give a constant outlet pressure of 20mbar (8 in.wg) when all appliance's on the system are running.
- The gas supply line should be purged. **WARNING:** Before purging open all doors and windows, also extinguish any cigarettes, pipes, and any other naked lights.
- The complete installation must be tested for gas soundness .

### 3.6 CENTRAL HEATING SYSTEMS

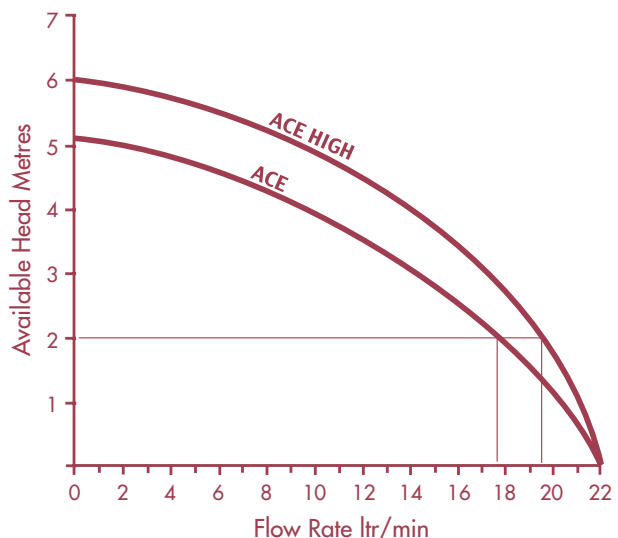
- This appliance is designed for connection to sealed central heating water systems. Refer to Fig. 15 for a typical system design.
- A sealed system must only be filled by a competent person.
- The available pump head is given in Fig. 13.
- A minimum heating flow rate corresponding to a heating differential of 15°C must be obtained at all times.
- An automatic heating bypass is fitted within the appliance. However if thermostatic radiator valves are fitted, a radiator must be fitted with two lockshield valves.
- The following paragraphs outline the specifications of the items fitted to the boiler.

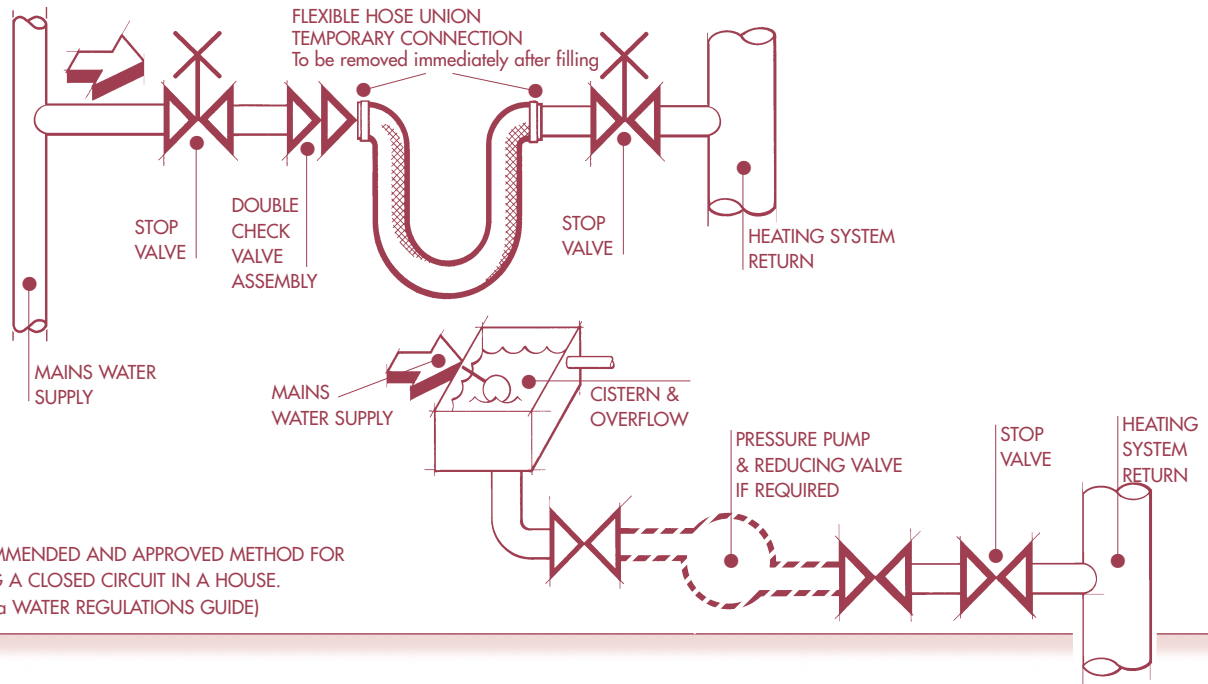
#### PUMP

The available head shown in Fig. 13 is that in excess of the appliance hydraulic resistance, i.e. that available for the system.

### 13 AVAILABLE PUMP HEAD

Bth/hr.	Kw	2m HEAD		Ace High	
		Flow rate	Δt°C	Flow rate	Δt°C
82,000	24.00	17.5l/m	20.0	19.5l/m	17.7
72,000	21.00	17.5l/m	17.7	19.5l/m	15.5
65,000	19.00	17.5l/m	15.5	19.5l/m	14.6
61,500	18.00	17.5l/m	13.3	19.5l/m	13.8
30,700	9.00	17.5l/m	7.5		





### EXPANSION VESSEL

The table below shows the maximum system volume that the integral expansion vessel can sustain under different charge pressure conditions (pre-charged to 0.75 bar). If the system volume exceeds that shown, an additional expansion vessel must be fitted and connected to the heating system primary return pipe as close as possible to the appliance. If an extra vessel is required, ensure that the total capacity of both vessels is adequate. Further details are available in the current issues of BS5449 and BS6798.

**NOTE:** If the pressure gauge indicates 2.65 bar or greater when the appliance is at maximum temperature with all radiators in circulation an extra expansion vessel is required.

**PRESSURE GAUGE** A pressure gauge is situated on the appliance control panel.

**PRESSURE RELIEF VALVE** A pressure relief valve set at 3 bar (43.5 psi) is supplied with the appliance.

EXPANSION VESSEL REQUIREMENTS					
Vessel charge and initial system pressure	bar	0.5	0.75	1.0	1.5
	psi	7.3	11	14.5	21.8
Total water content of system using 8ltr. (1.54gal) capacity expansion vessel supplied with appliance		96ltr	84ltr	73ltr	50ltr
		21gal	18gal	16gal	11gal
For systems having a larger capacity multiply the total system capacity in litres (gallons) by the factor to obtain the total minimum expansion vessel capacity required litres (gallons)		0.0833	0.093	0.109	0.156

### 3.7 DOMESTIC HOT WATER SYSTEM

- Check that the mains water pressure is sufficient (as stated in 2.4 "General Specification") to produce the required DHW flow rate, but does not exceed the maximum DHW pressure (10 bar). If necessary, a pressure reducing valve must be fitted to the mains supply before the DHW inlet connection.
- The final 600mm (24in) of the mains supply pipe to the boiler must be copper.
- Avoid long DHW pipe runs and several hot water draw off points
- Insulate the Hot water pipes if accessible to minimise the heat losses within the pipes to keep the water hot longer.
- A domestic hot water regulator is fitted within the group set to control the maximum water flow rate. This may be removed to

obtain higher flow rates. Higher flow rates will not damage the appliance but may reduce the water temperature below an acceptable level.

- If the appliance is installed in an area where the temporary hardness of the water supply is high, say over 150ppm, the fitting of an in-line scale inhibitor may be an advantage. Consult the Local Water Supplier if in doubt.
- For specific information relating to fittings (eg. Showers, Washing Machines etc) suitable for connection in the DHW circuit, consult the Local Water Supplier. However the following information is given for guidance:

**DOMESTIC HOT/COLD WATER SUPPLY TAPS AND MIXING TAPS.** All equipment designed for use at mains water pressure is suitable.

**SHOWERS & BIDETS.** Any mains pressure shower or bidet complying with the Local Water Undertaking bylaws is suitable.

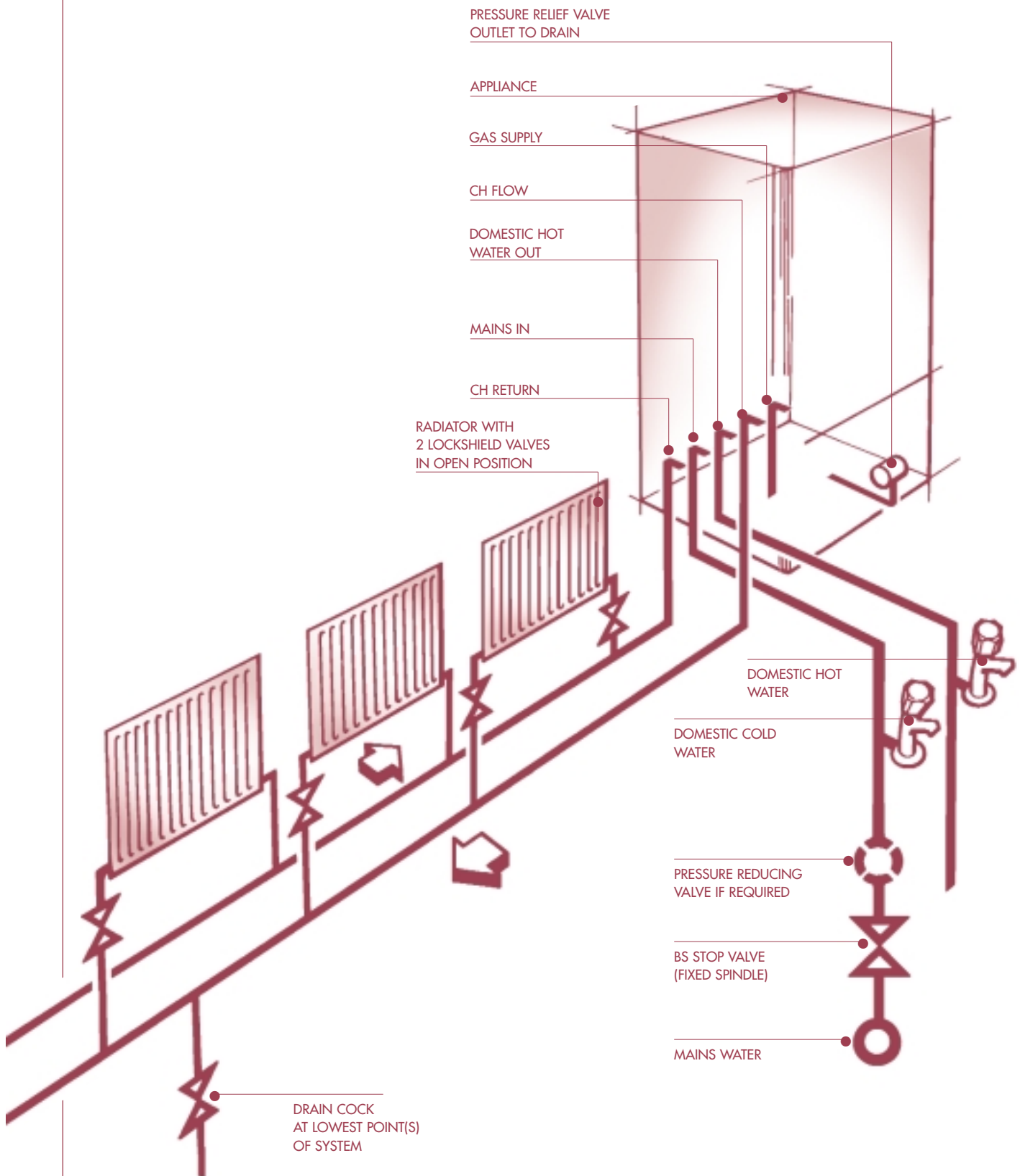
- Consider IRN 116 and Byelaw 90 + 91. Ensure that necessary action have been carried out to account for thermal expansion of water. If thermal expansion is not provided then high water pressure may result in damaging to fittings and devices.

### 3.8 ELECTRICITY SUPPLY

- Wiring external to the appliance must be in accordance with the current I.E.E. Wiring Regulations (BS 7671) for electrical installation and any local regulations which apply.
- The mains cable must be at least 0.75mm<sup>2</sup> (24/0.2mm) PVC Insulated to BS6500 table 16.
- THIS APPLIANCE MUST BE EARTHED.** (Failure to provide a satisfactory Earth connection will result in appliance malfunction)
- The method of connection to the mains supply must facilitate complete electrical isolation of the appliance. Either a 3A Fused three pin plug and unswitched shuttered socket outlet, both complying with BS1363, or a 3A fused double pole switch having a 3mm contact separation in both poles and serving only the boiler (and its external controls) may be used.

### 3.9 EXTERNAL CONTROLS

The appliance may be used with any Certificated mains voltage room thermostat and/or single channel programmer as described in section 4.8.



**Note:** The boiler incorporates an automatic bypass, hence no other system bypass is necessary. However, it is recommended to fit TRV's on all radiators except in rooms with a room thermostat. If no room thermostat is fitted, at least one radiator (preferable in the bathroom) must be permanently open, i.e. fitted with two lockshield valves.

# 4 INSTALLING THE APPLIANCE

Before installing the appliance, check that the chosen location is suitable (section 3.2), and that the requirements for flue position (section 3.3), and minimum clearances (Fig. 1b) are satisfied.

## 4.1 UNPACKING THE APPLIANCE

The appliance and standard flue kit are supplied in a single box. In addition, various optional flue kits are available as described in section 2.6. If the appliance is to be installed without access to an external wall, a wall liner kit is also required.

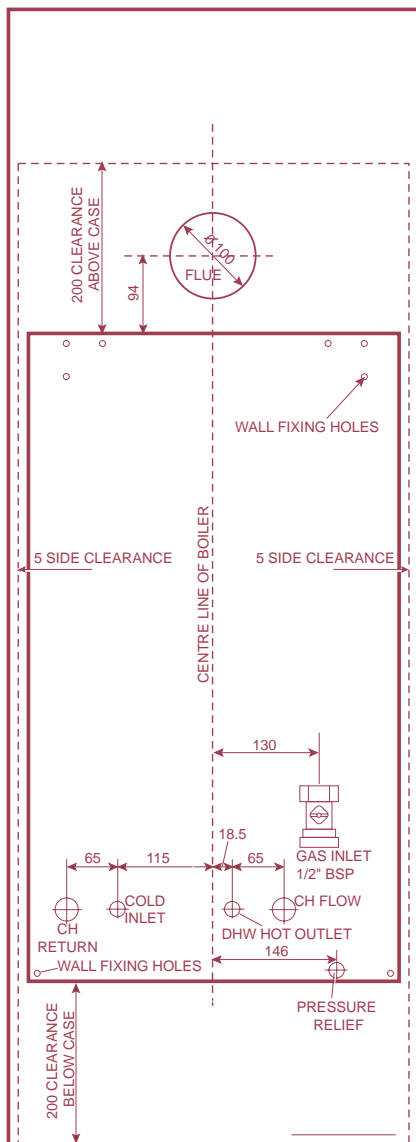
## 4.2 PREPARING THE WALL

- a) Fix the paper template in the required position (ensuring that the necessary clearances are achieved) and mark the position of the fixing holes as shown in Fig. 16. Three holes are provided at each side of the wall bracket.

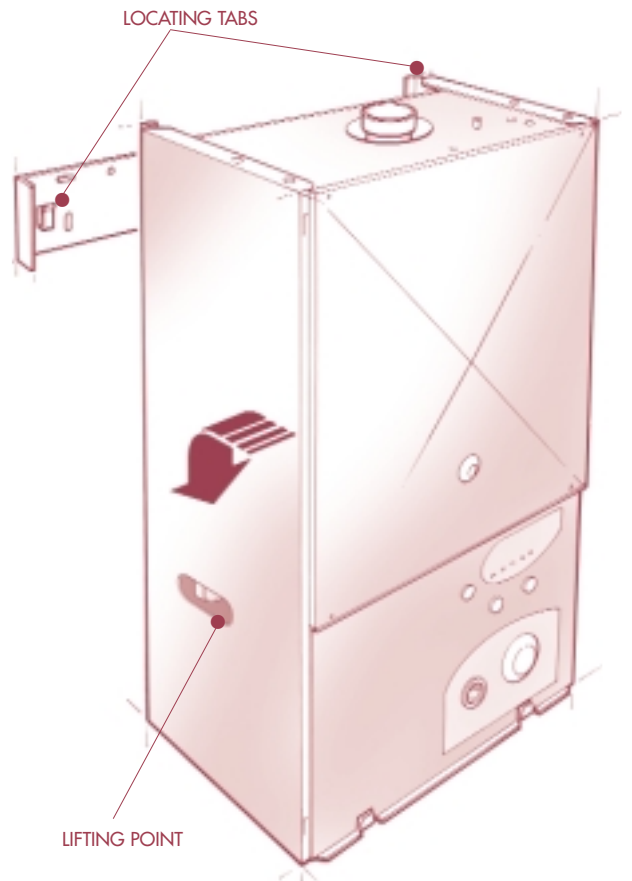
Mark the position of the flue outlet as described in Fig. 18. Mark the position of pressure relief outlet if required and the water and gas connections. Remove the paper template and proceed as follows.

- b) Cut the hole in the wall for the air/flue duct. The diameter must not be less than 100mm and the hole must be horizontal. If the hole is not accessible from outside, its minimum diameter must be sufficient to allow insertion of the wall liner (130mm, 5 1/4 in). The wall liner is available as an optional extra and must be sealed in position with mortar (or equivalent). It is recommended that the flue assembly falls slightly downwards away from the boiler.
- c) Drill two fixing holes using a 8mm drill and insert the wall plugs provided in the hardware pack. If any of the holes fail to provide a secure fixing, use one of the adjacent holes instead.
- d) Fix the bracket into position and secure to the wall using the two screws provided. Ensure it is level.

## 16 PAPER TEMPLATE



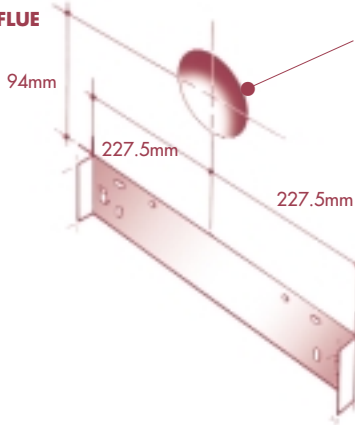
## 17 MOUNTING THE BOILER



# 18

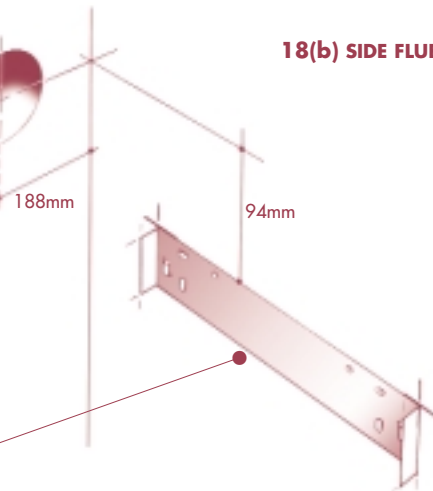
## DETERMINING THE POSITION OF THE AIR/FLUE DUCT HOLE

18(a) REAR FLUE



POSITION OF DUCT HOLE

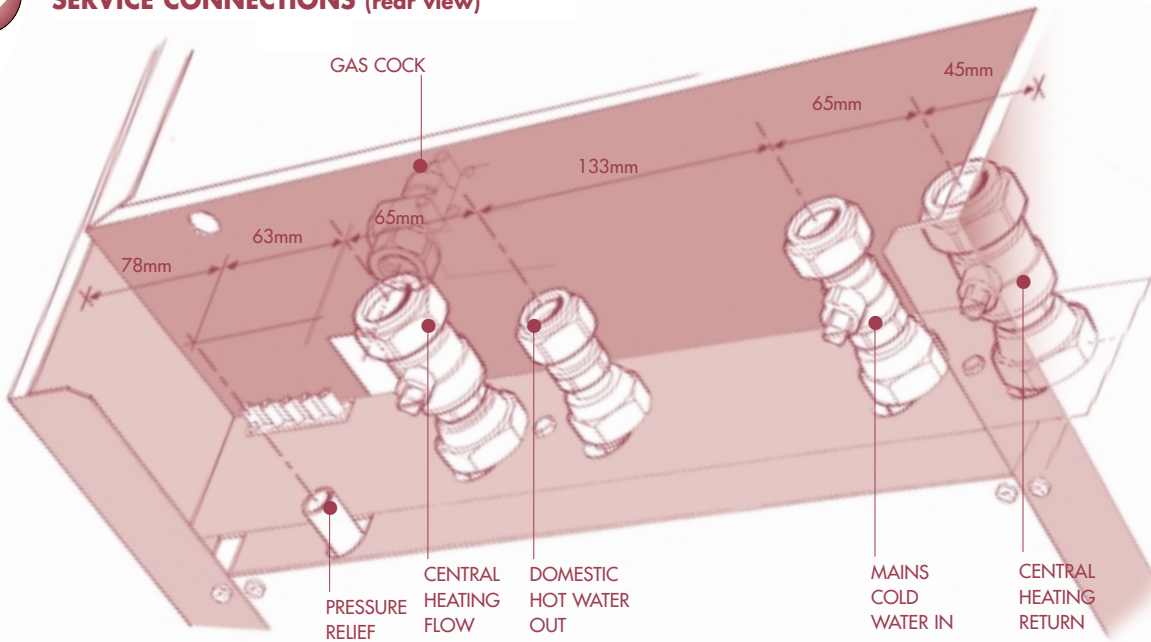
18(b) SIDE FLUE



POSITION OF WALLPLATE

# 19

## SERVICE CONNECTIONS (rear view)



## 4.3

### MOUNTING THE BOILER

- Lift the boiler into position using the lifting points shown in Fig. 17. Position the top of the boiler approximately 10mm above the top of the wall bracket and use the tabs on the wall bracket to locate the boiler in a horizontal direction, then carefully lower the boiler ensuring the two locating tabs are securely engaged (see Fig. 17).
- Locate and tighten the water and gas valves to the boiler. (Seals are pre-fitted).
- Connect the central heating system to the boiler flow and return using the connections shown in Fig. 19.
- Connect the mains water supply and outlet to the appropriate connections as shown in Fig. 19.

## 4.4

### SERVICE CONNECTIONS

- Commission the central heating system as described in section 5.1, then proceed to section 4.5.

## 4.5

### GAS CONNECTION

- Use a 15mm copper tube or bend to connect to the gas service cock to a 15mm compression fitting.

## 4.6

### PRESSURE RELIEF VALVE PIPE CONNECTION

- Connect a suitable discharge pipe to the pressure relief valve tube. The pipe should be a minimum diameter of 15mm copper and should avoid any sharp corners or upward pipe runs where water may be retained. The discharge pipe must terminate in an area where any discharge will not cause a hazard but will be noticed.

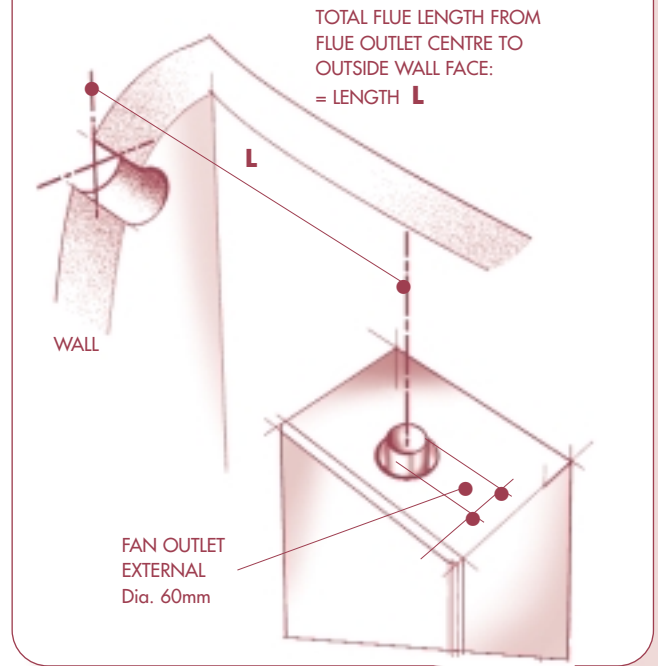
## 4.7 AIR/FLUE DUCT INSTALLATION

If the wall thickness is less than 800mm (31 in) the air/flue duct may be fitted without access to the external wall providing that the optional wall liner is used. (This is necessary to seal any cavity and to allow the sealing ring to pass through from inside but still open and provide an adequate seal). The wall liner is a tube diameter 130mm with a wall thickness of 0.8mm.

### 4.7.1 PREPARING THE AIR/FLUE DUCTS

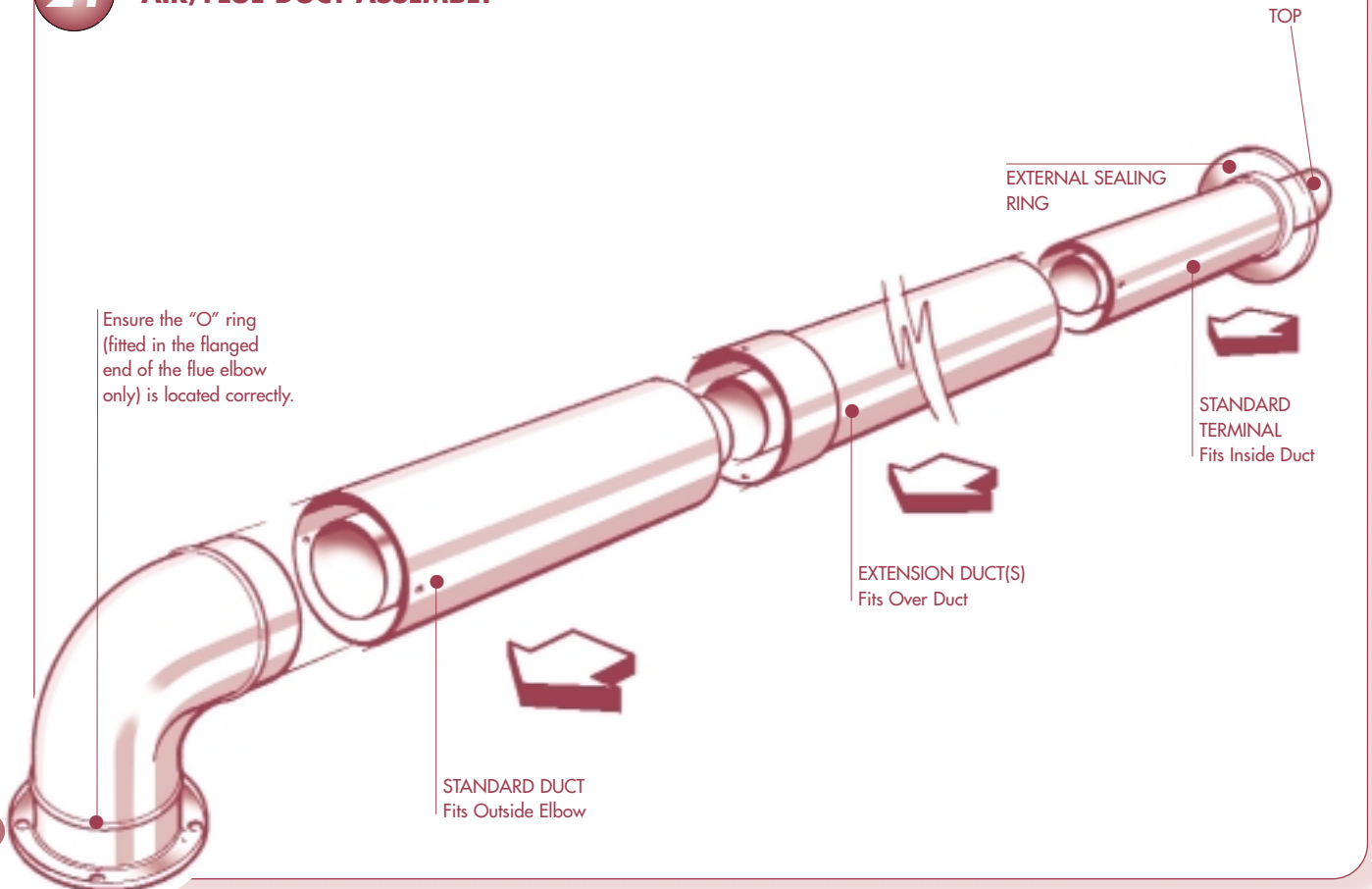
- Measure the required flue length as shown in Figure 20. Refer to section 2.6 to determine whether any extension kits are required. Installations using only the standard ducts or standard ducts with straight extensions are described in this section. Installation instructions for all other flue systems are described in the supplements at the rear of this booklet.
- Fit the external sealing ring to the terminal assembly and assemble the air/flue ducts as shown in Figure 21. The standard duct is always used at the entry / exit to the boiler, and the sliding (telescopic) terminal is always slid into the end of the standard or extension duct (where appropriate).
- Achieve the correct flue length using Figure 22 as a guide. Note that the flue length is measured to the inside of the external wall sealing ring. In most cases it will be possible to achieve the required flue length without cutting the ducts, however where necessary the plain ends of the extension ducts may be cut. **Never cut the swaged end**, and always ensure that the cut is square and free of burrs or debris. The minimum overlap of the telescopic section is 50mm (2 in).

## 20 MEASURING THE EXACT FLUE LENGTH



- Assemble the flue using Figure 23 as a guide. It is important that the steps are carried out in the order stated in Figure 23. When securing the ducts in position always drill two 3.3 mm diameter holes in each extension air duct joint and use the self tapping screws provided to secure each joint.  
NOTE IT IS ESSENTIAL THAT THE TERMINAL IS FITTED THE CORRECT WAY UP See Fig 21 (i.e. rainshield at the top).

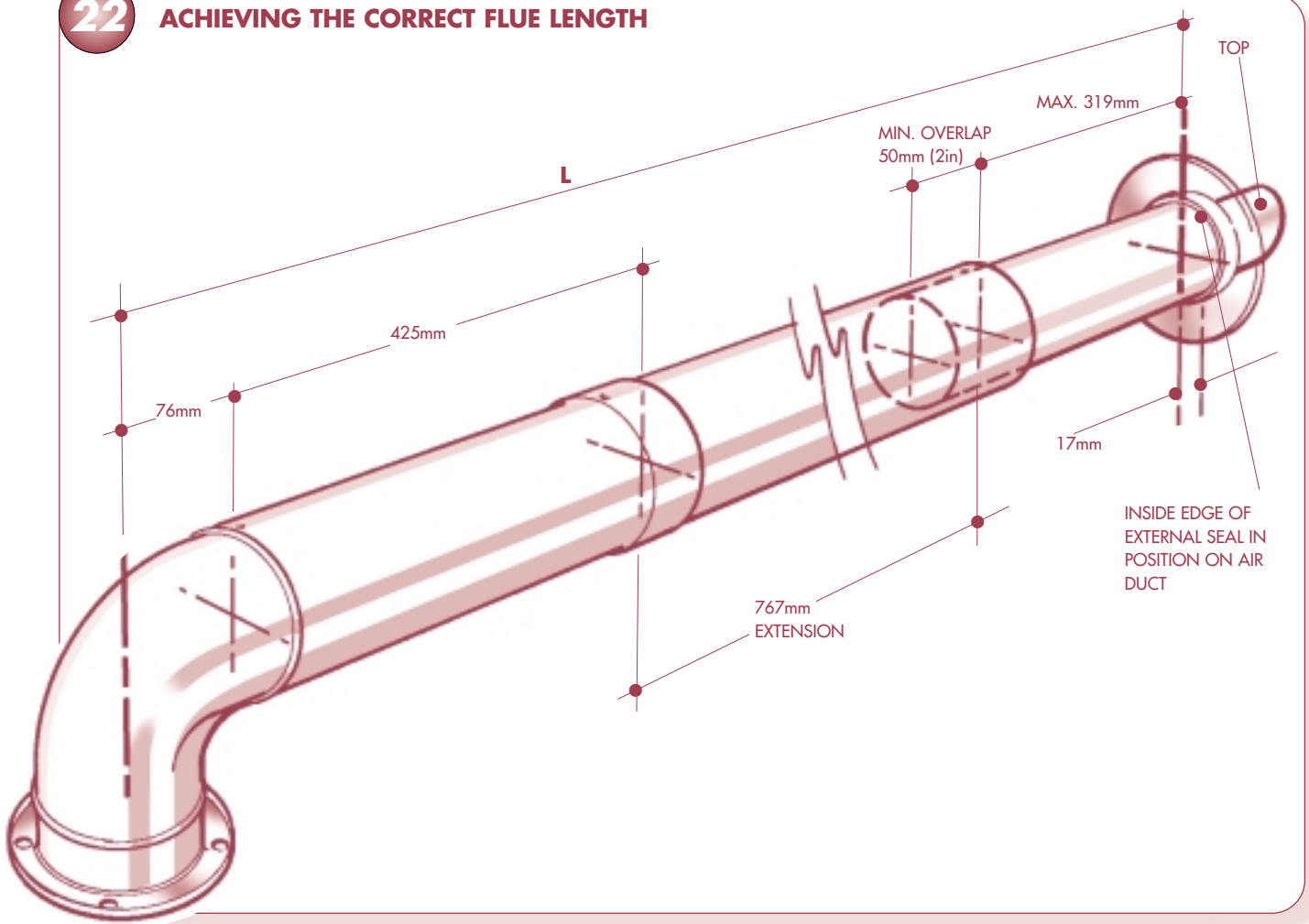
## 21 AIR/FLUE DUCT ASSEMBLY





# 22

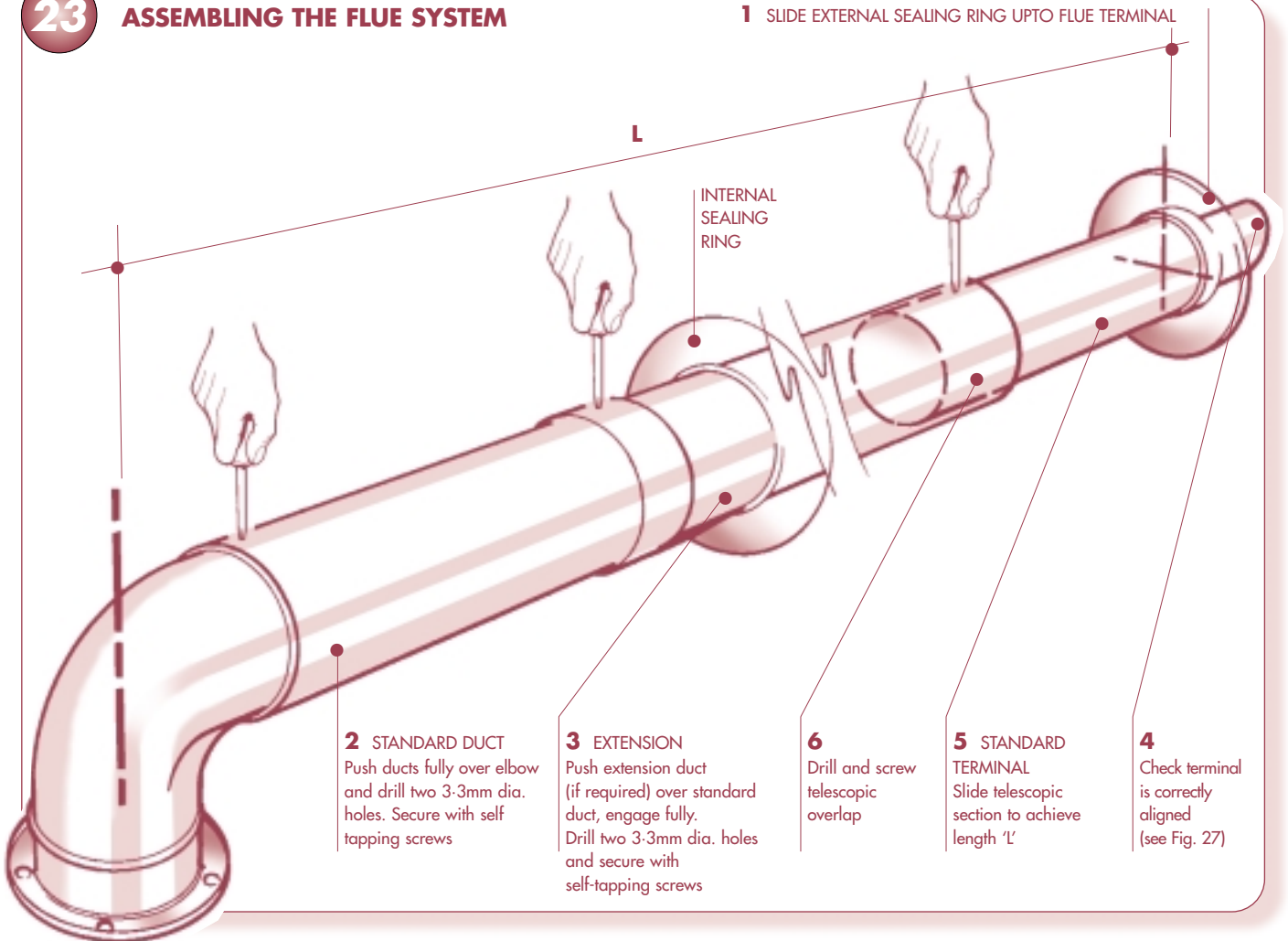
## ACHIEVING THE CORRECT FLUE LENGTH



# 23

## ASSEMBLING THE FLUE SYSTEM

### 1 SLIDE EXTERNAL SEALING RING UP TO FLUE TERMINAL



## 4.7.2 FLUE RESTRICTOR

**A flue restrictor is supplied with the appliance for use, only if no extensions or additional flue extension elbows are fitted.**

If any extension ducts or additional elbows etc are to be used, proceed to section 4.7.3.

If only the standard flue components (i.e. those packed in the same carton as the appliance) are to be used fit the restrictor as follows:

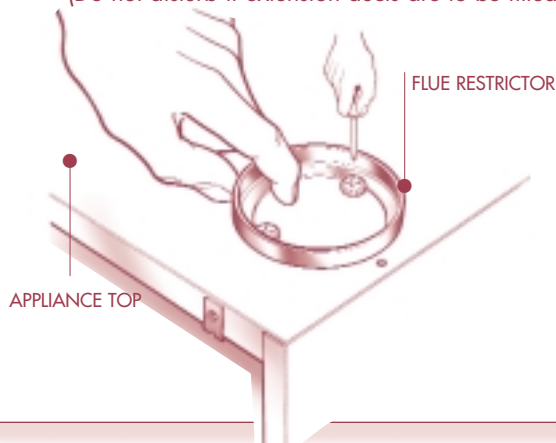
- Note the position of the flue restrictor ring. This is fitted on top of the appliance and is secured by the air pressure switch bracket screws (Fig. 24). Loosen the air pressure switch screw by 1/2 turn only, to release the ring, and tighten the two screws.
- Fit the restrictor ring inside the flue elbow bottom as shown in figure 25 ensuring that it is the correct way round.

### NOTES

- Failing to fit the restrictor when installing the appliance with a standard flue system will not provide optimum appliance performance.
- Fitting the restrictor on a flue system incorporating extensions or additional bends will adversely affect performance and

## 24 FLUE RESTRICTOR LOCATION

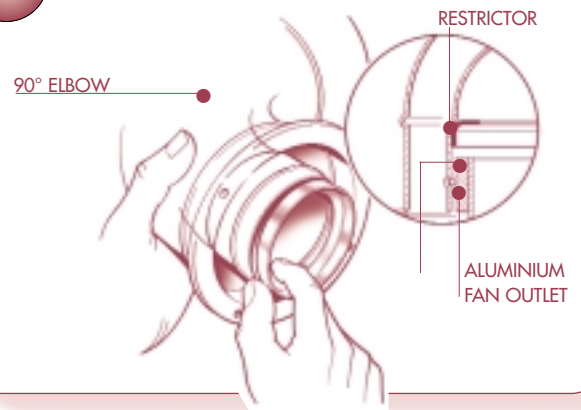
(Do not disturb if extension ducts are to be fitted)



may constitute a safety hazard.

- Failing to comply with these instructions will invalidate the appliance Certification and therefore may contravene the appropriate EC legislation and local statutory requirements..

## 25 FITTING THE FLUE RESTRICTOR



## 4.7.3 INSTALLING THE AIR/FLUE DUCT FROM INSIDE THE ROOM

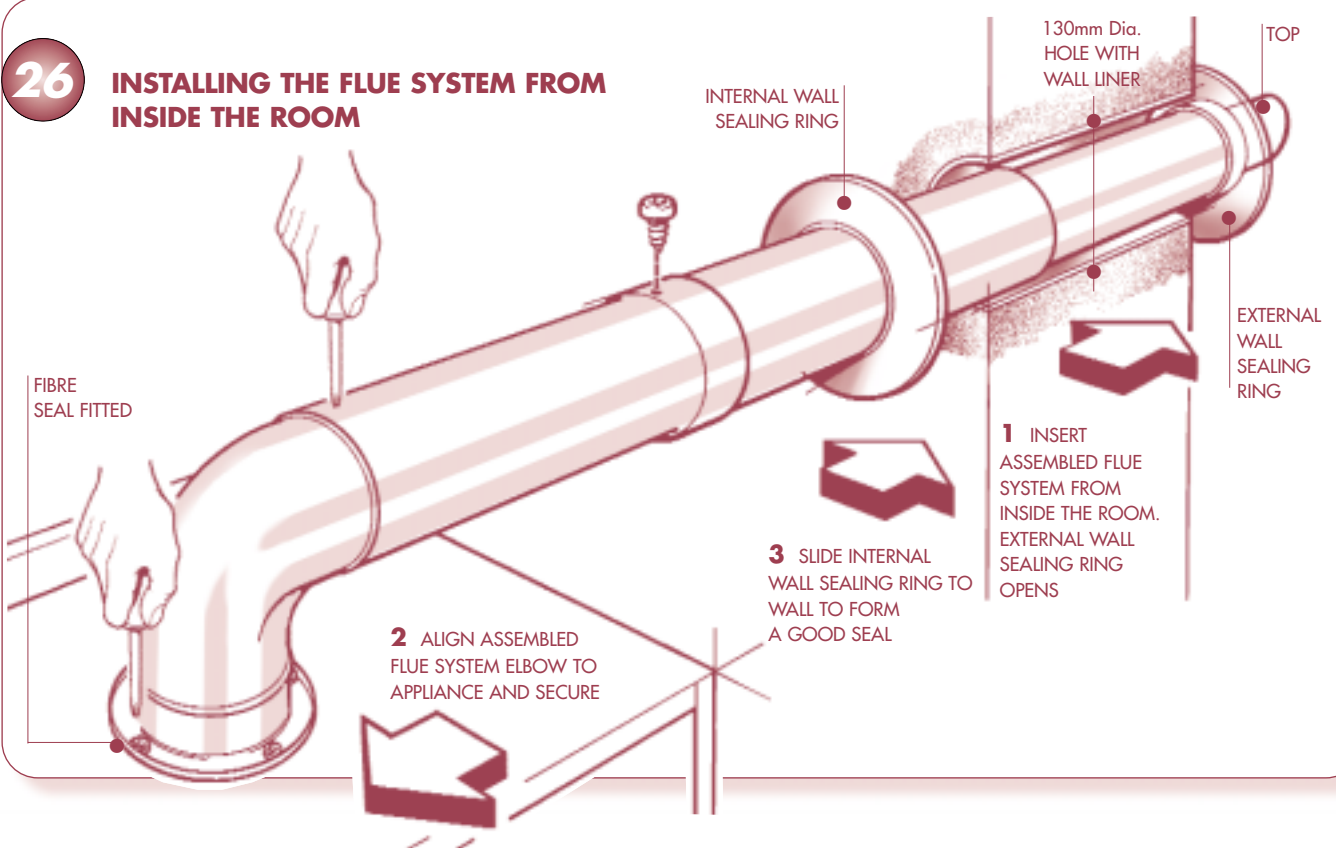
Wall thickness up to 800 mm (31 in) only.

- Push the terminal through the wall liner taking care to ensure that the terminal is the correct way round and the external wall sealing ring does not become dislodged.
- Pull the flue system towards the boiler to seat the external sealing ring against the outside wall and secure the elbow to the boiler using the four screws provided.
- Finally use the internal sealing ring to make good the internal hole, and check that the terminal is correctly located on the outside wall (Where possible this should be visually checked from outside the building).

Figure 26 shows a view of the flue system correctly installed.

- Assemble as shown in Figure 26.

## 26 INSTALLING THE FLUE SYSTEM FROM INSIDE THE ROOM



## 4.7.4 INSTALLING THE AIR/FLUE DUCT FROM OUTSIDE THE BUILDING

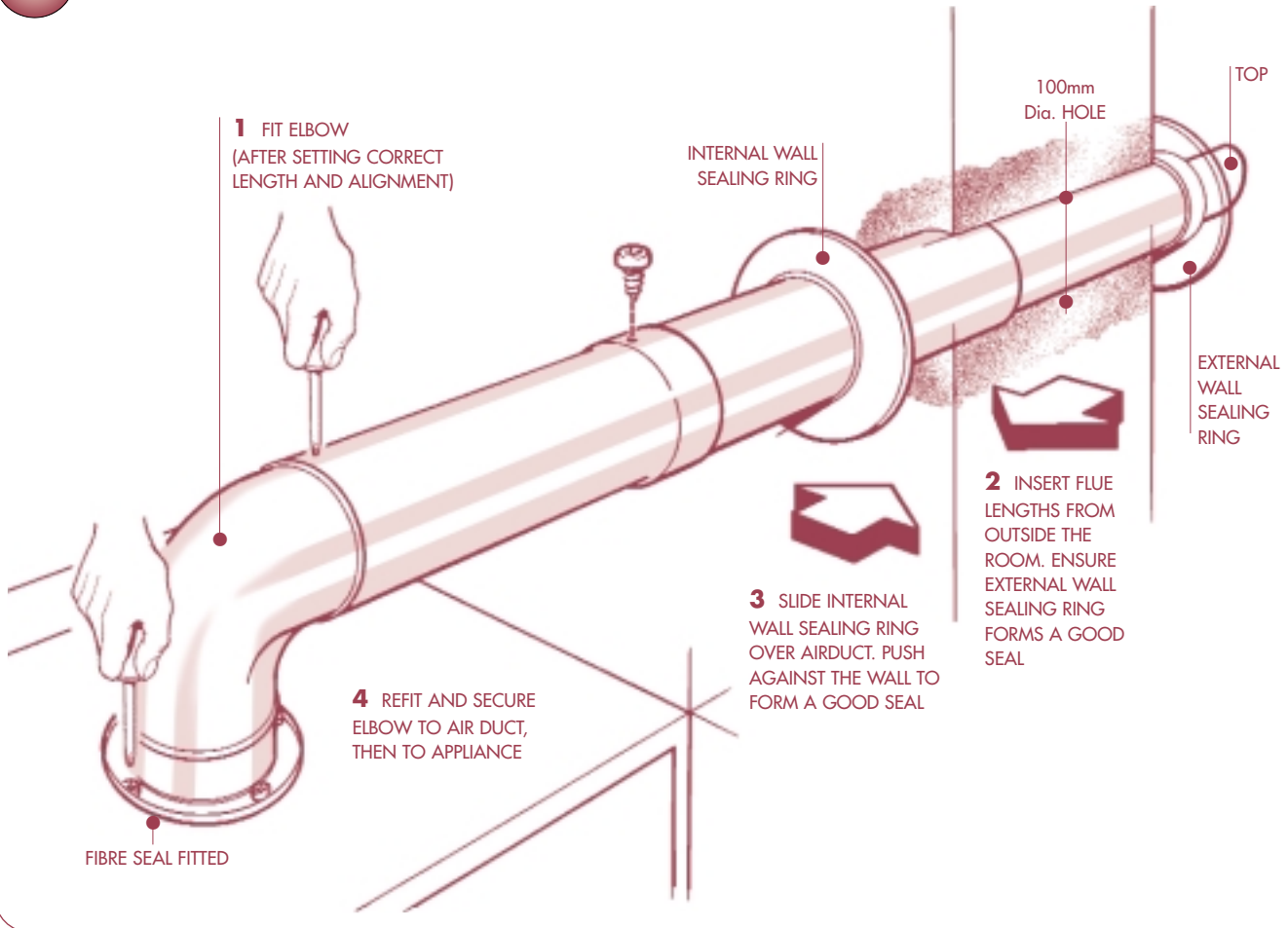
(Flue hole diameter 100mm - wall liner not necessary)

- Secure the flue elbow with seals and flue adaptor (where necessary) to the appliance using the 4 screws provided.
- Fit external wall sealing ring over flue and then from outside the building, push the flue system through the wall taking care to ensure that the terminal is the correct way around.

- Fit the internal wall sealing ring over the inside end of the flue, then fit the air duct to the elbow, drill and secure with the two screws.
- Pull the flue system towards the boiler to seat the external sealing ring against the outside wall and secure the air duct to the elbow using the two screws provided.
- Finally use the internal sealing ring to make good the internal hole. Check that the external wall sealing ring is correctly located, on the outside wall from outside the building.

Figure 27 shows a view of the flue system, correctly installed.

## 27 INSTALLING THE FLUE SYSTEM FROM OUTSIDE THE BUILDING



## 4.8 WIRING INSTRUCTIONS

Connect the electricity supply and external controls (using suitable mains cable) as follows:

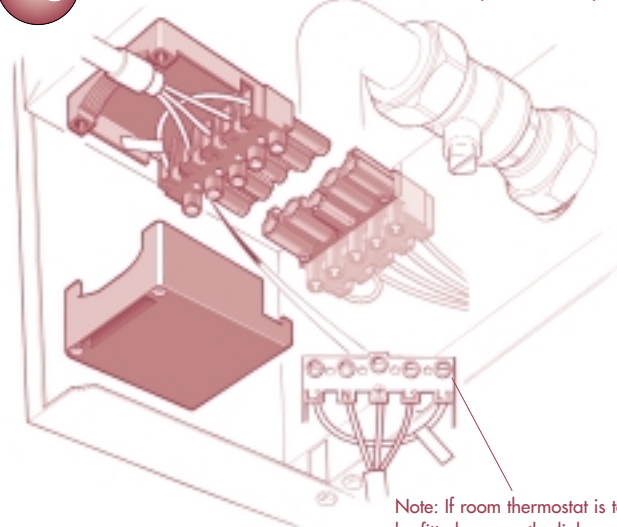
Wire the cable(s) into the appropriate connections in the electrical plug provided (Figure 28). Live supply to L2, Neutral and Earth as indicated. Check that L1 and L3 are linked.

To provide correct cable retention, fit the piece of tubing supplied over the cable as it passes through the clamping arrangement. The cable will be held in position as the plug cover is fitted.

If a room thermostat is to be fitted remove the red link between L1 and L3 and connect the thermostat across these terminals. Any external controls fitted must be rated at 230V 50Hz and have volt-free contacts.

**NOTE: Assuming that the appliance is to be commissioned immediately after installation it is not necessary to fit the casing panels at this stage.**

## 28 ELECTRICAL CONNECTIONS (rear view)



# 5

## COMMISSIONING AND TESTING

Before commissioning the appliance, the whole gas installation including the meter **MUST** be purged and tested for gas soundness in accordance with BS 6891:1988.

**IMPORTANT: Open all doors and windows, extinguish naked lights, and DO NOT SMOKE whilst purging the gas line.**

Before commencing the commissioning procedure, ensure that the gas service cock is turned on, the electricity supply is isolated, and that the DHW and CH pipe work is complete.

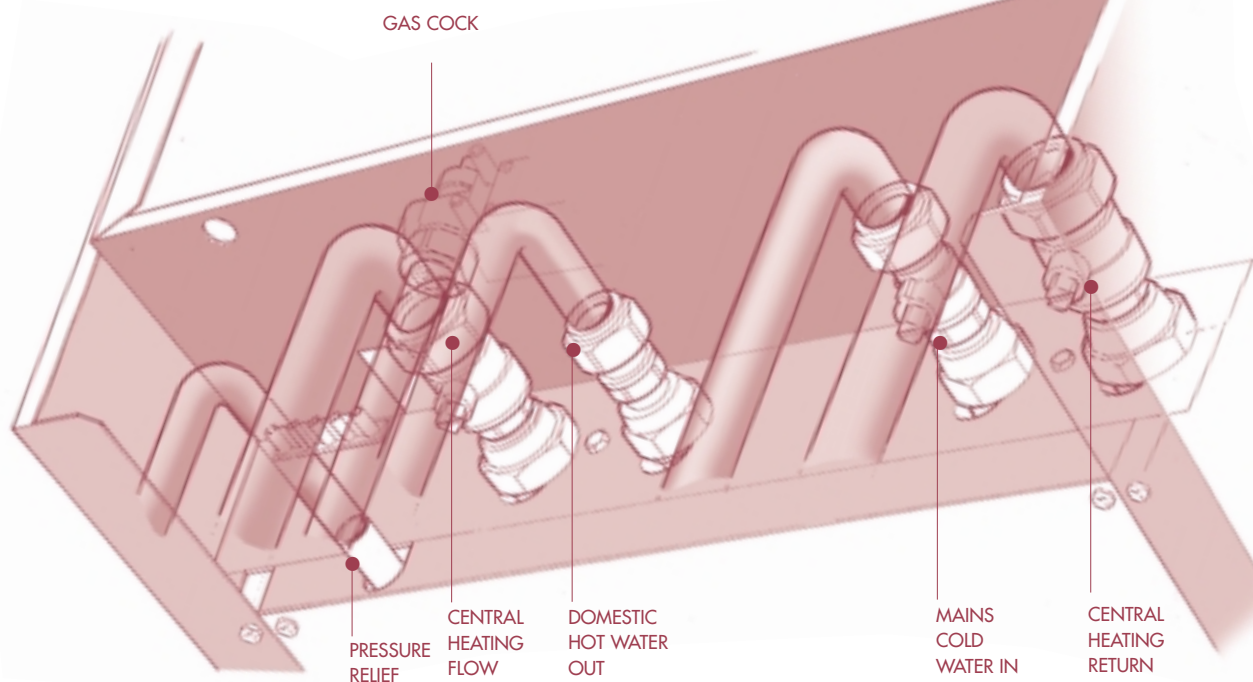
### 5.1

### FILLING THE WATER SYSTEMS

Fill the water systems by following the procedure detailed below Fig 29, steps 1 to 9.

29

#### VALVE POSITIONS FOR COMMISSIONING THE WATER SYSTEM (rear view)



**Note: It is recommended, where possible, to flush the CH system without the boiler fitted, to avoid debris and flux blocking the plate heat exchanger.**


- 1 Check that the CH flow and return valves are in the open position.
- 2 Fill the system with water using one of the approved methods described in section 3.6 to about 2.0 bar. Vent the system via the radiator valves and system air vents in accordance with normal practice. Ensure that all system air vents are closed.
- 3 Check the system for soundness.
- 4 Check the operation of the pressure relief valve (Fig. 32) by rotating the plastic head anticlockwise 1/4 of a turn and checking that water is discharged. Ensure that the valve seats correctly and does not leak. If the valve leaks or is stuck closed, replace it.
- 5 Drain the entire system to flush out any debris, and refill to 0.2 bar above the system design pressure (between 0.5 and 1.5 bar) by repeating the above procedure. Follow the commissioning procedure described below, then repeat this instruction with the system hot. It is recommended that the system is cleaned with a recognised system cleaner such as Fernox or Sentinel.
- 6 Open the DHW inlet valve and open and close each hot water tap in turn to clear all the air from the pipes and the boiler.
- 7 Remove the pump end cap and rotate the rotor, replace the cap.
- 8 If filling loop is used, disconnect filling loop.
- 9 Prior to firing up the boiler to check the gas rates, the Central Heating and Boiler system should be checked for circulation by running the boiler and pump with gas turned off, to ensure no air locks occur.

## 5.2 COMMISSIONING THE APPLIANCE

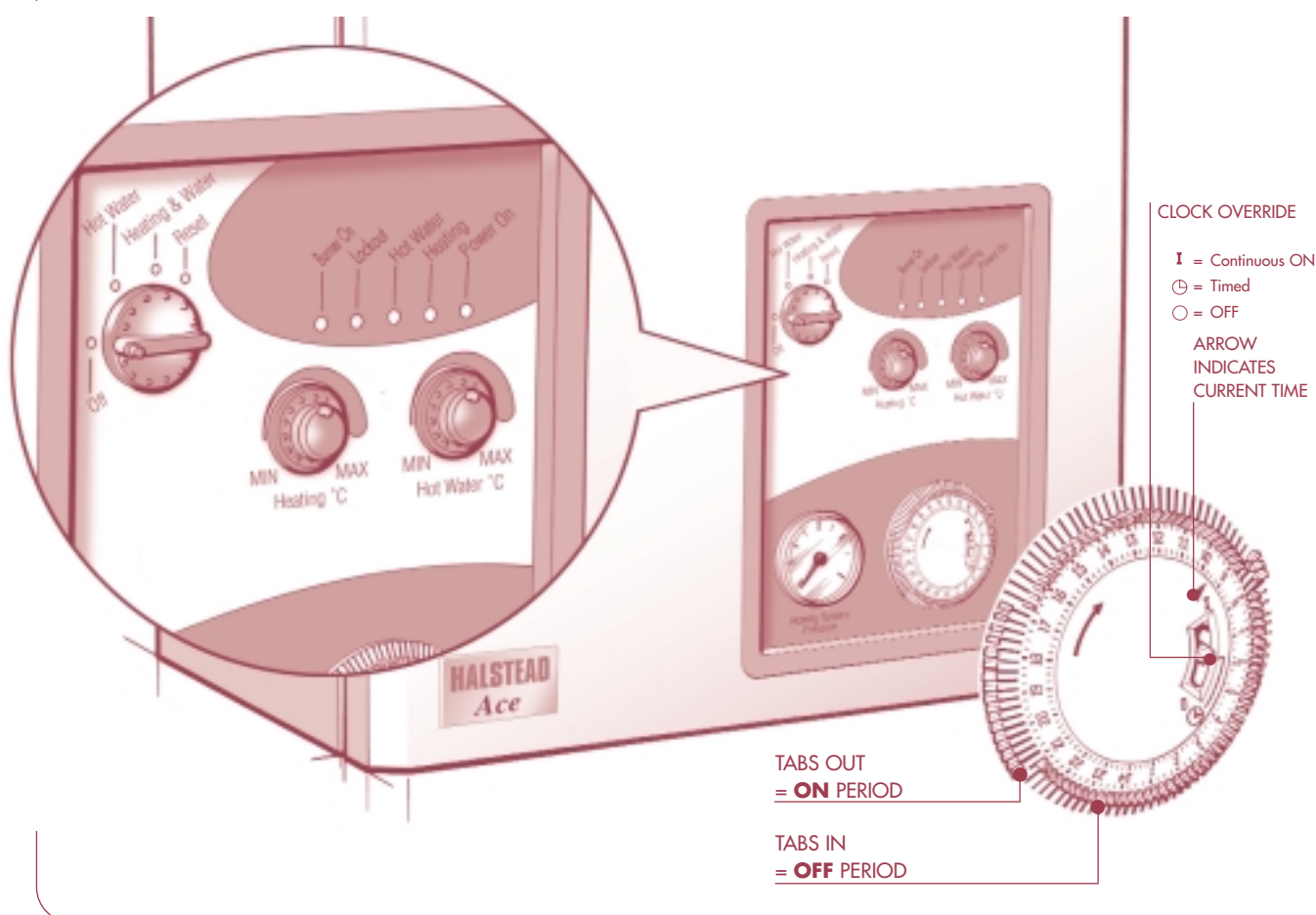
- Loosen the screw and connect a manometer to the burner pressure test point on the gas valve (Fig. 35).
- Turn the hot water control (Fig. 30) to maximum (fully clockwise). Turn on the electrical supply and select the Hot Water position on the Main Switch – the Power On LED will be illuminated.
- Fully open any DHW tap and the ignition sequence will commence. The Hot Water and the Burner On LEDs will be illuminated. If the burner fails to light, ignition lock-out occurs. In the event of ignition Lock-out the safety Lock-out LED will be illuminated. To re-set the appliance and initiate a further ignition attempt it is necessary to turn the Main Switch through to the Reset position (spring return).
- After ignition, allow the boiler to run for at least 10 minutes and check that the burner pressure is as stated on the data badge  $\pm 10\%$ . The DHW burner pressure is factory set and should not require adjusting. If the burner pressure is low, check that the appliance has not started to modulate (This will occur if the DHW flow rate is low. If modulation is suspected, open all DHW taps to maximise flow and re-check burner

- pressure) If it is necessary to adjust the DHW burner pressure the method is described in section 9.6 Gas valve replacement.
- Close the DHW tap and ensure that the Burner On LED (Fig. 30) goes off, the burner goes out, and the pump stops after an overrun period.
  - Ensure that the room thermostat (if fitted) is calling for heat. Turn the Main Switch to Heating & Water and turn the heating control knob (Fig. 30) to maximum (fully clockwise), and finally turn the clock override switch (Fig. 30) to the I position. The burner will light at an ignition gas rate of approx. 5 mbar. After ignition the burner pressure drops to approx. 1.3 mbar and over a period of time the heating load will ramp up to factory set burner pressure.

**NOTE: that the central heating burner pressure is factory set to 6.3 mbar (app. 19.5kW or 66,000 Btu/h, gross heat input) and should not require adjusting. If it is necessary to adjust the CH burner pressure the method is described in section 9.9.1 Gas valve replacement.**

- Set the clock to the desired times by setting the tabs.
- Slide the clock override switch to the 'timed'  position and check the operation of the clock and room thermostat (If fitted).

## 30 FASCIA PANEL AND CONTROLS



### 5.3 DOMESTIC HOT WATER FLOWRATE

A flow regulator is supplied factory fitted to the appliance to ensure that no adjustment is necessary. Should the mains flow rate be below the minimum required it is possible to remove the flow regulator from the appliance as instructed in section 9 (Fig. 37). The nominal pre-adjusted flow rate may vary by  $\pm 5\%$  due to factory tolerances and mains water pressure fluctuation.

### 5.4 FINAL CHECKS

- a) Turn the appliance off and remove the manometer and tighten the burner pressure test point screw. Re-light burner and test for gas soundness.
- b) Fit the boiler casing as described and illustrated in Figure 31: Fit each side panel (both are identical) with two screws at the top and bottom of each panel. Fit the front panel in position and locate by gently sliding it downwards over the supporting tabs. Screw into position using the single fixing screw at the top of the casing.
- c) Set the heating and hot water controls (Fig. 30) to the required settings. Ensure that the clock override switch is in the timed position, and check that the time clock is set at the desired time periods. Set the room thermostat (if fitted) to the required setting.

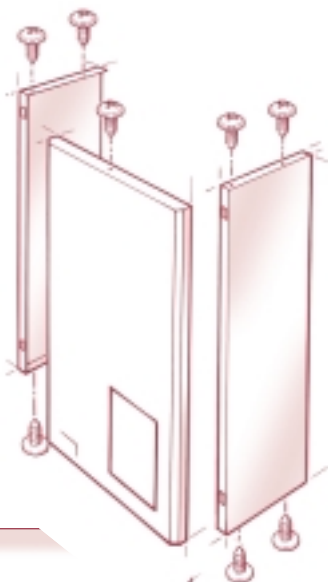
### 5.5 IGNITION LOCKOUT

In the event of an ignition failure, the safety lockout LED will be illuminated. To re-set, turn the main switch through to the Reset position (spring return).

### 5.6 OVERHEAT THERMOSTAT

This appliance is fitted with an overheat thermostat. In the event of overheating, the appliance will shut down and the safety lockout LED will light. If an overheat condition occurs, allow the appliance to cool, then press the overheat reset button once (located underneath the appliance at the left hand side). The Ignition safety lockout LED will also be illuminated and require re-setting. To re-set, turn the main switch through to the Reset position (spring return).

### 31 FITTING THE CASING PANELS



### 5.7 FROST PROTECTION

This appliance is fitted with a frost protection device. In the event of very cold conditions the pump may operate and the boiler may light for a few minutes to protect the appliance and system from potential frost damage. This can only function if the gas and electricity supplies are maintained and the main switch on the appliance is left either in the Hot Water or Heating & Water mode. The clock can be switched to the off setting.

### 5.8 OTHER FEATURES

The following additional features are included in the appliance specification:

**ANTI-CYCLE DEVICE:** When the appliance cycles on it's central heating control setting, a slow cycle device operates. The timer (set to 3 mins) is activated after the end of burn cycle to prevent rapid cycling of the burner.

#### **ANTI PUMP SEIZURE DEVICE:**

Providing that a power supply is maintained and the Main Switch is either in the Hot Water or Heating & Water mode, the pump will operate for at least 20 seconds every 23 hours (regardless of heat demand) to prevent pump seizure during periods where the appliance is not used.

#### **WATER FLOW SWITCH:**

This device prevents the burner from firing if there is inadequate water flow through the main heat exchanger.

### 5.9 USERS INSTRUCTIONS

Upon completion of commissioning and testing the system, the installer should draw the user's attention to the following.

- a) Give the 'Users Instructions' to the householder and emphasise their responsibilities under the 'Gas Safety (Installation and Use) Regulations 1996' (as amended).
- a) Explain and demonstrate the lighting and shutdown procedures.
- b) Advise the householder on the efficient use of the system, including the use and adjustment of all system controls for both DHW and CH.
- c) Advise the user of the precautions necessary to prevent damage to the system, and to the building, in the event of the system remaining inoperative during frost conditions.
- d) Explain the function of the boiler overheat thermostat, and how to re-set it. Emphasise that if cut-out persists, the boiler should be turned off and the installer or service engineer consulted.
- e) Stress the importance of an annual service by a registered heating engineer.
- f) The electrical mains supply to the appliance must remain ON and the Main Switch must left either in the Hot Water or Heating & Water mode for the frost protection circuit to operate.

### 5.10 BOILER LOGBOOK

A logbook is supplied with this appliance to record installation and commissioning details and make future servicing of the appliance easier.

This logbook forms part of the industry's Benchmark code of practice for the installation, commissioning and servicing of central heating systems.

Please ensure that the logbook is fully completed and left with the customer for future reference along with Users Instructions and this Installation and Servicing Instruction manual.

# 6

## ROUTINE SERVICING

To ensure continued efficient operation of the appliance, it is recommended that it is checked and serviced as necessary at regular intervals. The frequency of servicing will depend upon the particular installation conditions and usage but in general once a year should be adequate. It is the law that any service work must be carried out by a competent person, such as British Gas or other CORGI registered personnel.

The boiler incorporates a flue sampling point on the top panel in front of the flue outlet. If the service engineer has suitable equipment to analyse the flue gas, the plastic cap may be removed and a 6mm inside diameter sample tube fitted. Do not forget to replace the plastic cap after use.

Before commencing any service operation, ISOLATE the mains electrical supply, and TURN OFF the gas supply at the main service cock.

Service the appliance by following the full procedure detailed below:

### 6.1 MAIN BURNER ASSEMBLY

- a) Remove the casing front panel by unscrewing the panel retaining screw and lifting off the panel.
- b) Remove the sealed chamber front panel (4 screws).
- c) Remove the combustion chamber front panel (7 screws). Take care not to damage the insulation.  
**Do not attempt to light the burner with Front Panel removed.**
- d) Remove the 4 screws securing the burner on the gas manifold.
- e) Unscrew and remove the two screws securing the control panel in the upright position and pivot the panel forwards.
- f) Remove the two spark and one detection electrode leads from the electrodes.

- g) Remove the burner by lifting it forward with reference to Figure 33.

- h) Inspect and if necessary clean the main burner ports using a soft brush or vacuum cleaner. Do not use a wire brush or any abrasive material.

### 6.2 BURNER INJECTOR

Check that the injectors fitted in the gas manifold are free from dirt and debris. If necessary clean the injector orifice carefully using a soft brush or vacuum cleaner. Do not use a wire brush or any abrasive material.

**It is not necessary to remove the injectors.** If there are signs of injector(s) being blocked please call the Halstead Service Department.

### 6.3 IGNITION AND DETECTION ELECTRODES

- a) Inspect the ignition and detection electrodes in situ. If necessary clean using a soft brush. If either the electrode or the ceramic insulation show signs of damage or wear, replace the electrode(s).
- b) Check that the alignment of the ignition and detection electrodes are as shown in Figure 34. Adjust by carefully bending the tip of the electrode rod whilst supporting the base of the rod. Do not put any pressure on the ceramic insulation.

32

### LOCATION OF SERVICEABLE COMPONENTS

FAN ASSEMBLY BASE  
PLATE SCREWS

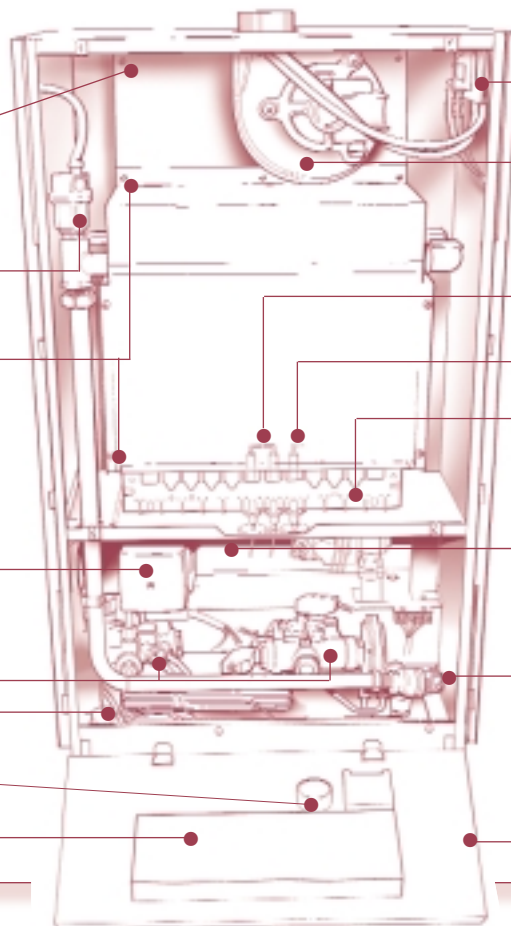
AUTO AIRVENT

COMBUSTION CHAMBER  
FRONT PANEL FIXING  
SCREWS (7)

PUMP

GROUP SET  
OVERHEAT THERMOSTAT

PRESSURE  
GAUGE  
CONTROL  
COVER



AIR PRESSURE  
SWITCH & PIPES

FAN ASSEMBLY

IGNITION ELECTRODES

DETECTION ELECTRODE

BURNER

GAS CONTROL VALVE

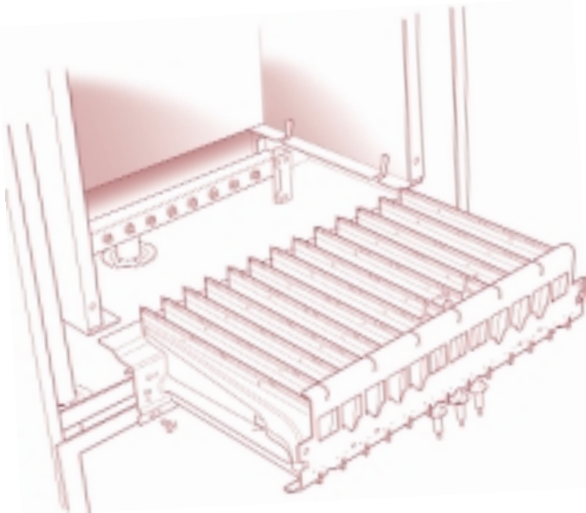
PRESSURE RELIEF  
VALVE

CONTROL PANEL

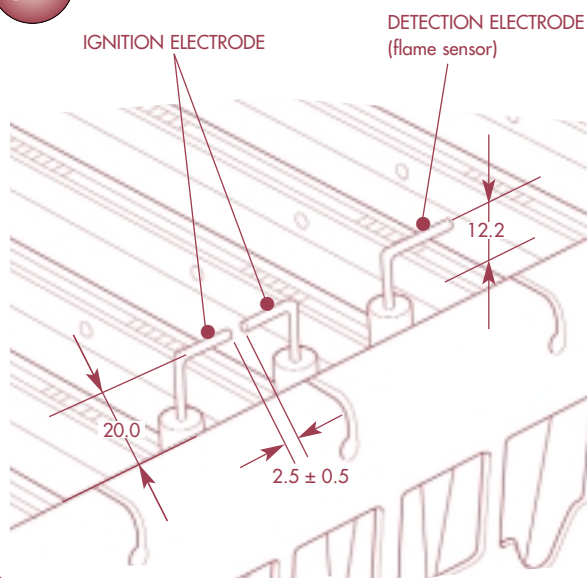
## 6.4 FAN ASSEMBLY

- Carefully disconnect the tab connectors on the fan wiring from the fan.
- Disconnect the air pressure switch sensing pipes from the fan, noting their positions
- Remove the fan assembly by unscrewing the two screws, lowering the assembly and lifting it forwards.
- Inspect the fan assembly (especially the impeller and the venturi) for dirt, damage, or signs of wear. If necessary clean the impeller or/and venturi using a soft brush or vacuum cleaner. Spin the impeller and check that it rotates freely, without noise, and without imbalance. If there is any sign of deterioration or damage, replace the fan.

## 33 BURNER REMOVAL



## 34 ELECTRODE ALIGNMENT



## 6.5 AIR PRESSURE SWITCH PIPES

Check that the pressure switch sensing pipes are not blocked or damaged. It is not necessary to remove the air pressure switch, this is not adjustable and does not require any servicing.

## 6.6 HEAT EXCHANGER

- Inspect the heat exchanger from both above and below the fins. If necessary, clean the fins with a soft, non metallic brush.

## 6.7 GENERAL

- Check that the combustion chamber insulation is not damaged.
- Clean the inside of the sealed chamber using a soft brush or (preferably) a vacuum cleaner.
- Check that the sealed chamber front panel seal is intact and in good condition. Replace if necessary.
- Always wear a protective mask when cleaning the appliance.**

## 6.8 RE-ASSEMBLY

Re-assemble all components in reverse order except do not pivot the fascia panel back into position or fit the casing front panel until the servicing work has been completed.

When re-fitting the burner it is essential to ensure that the burner is level as shown in Figure 33 and that it is correctly assembled into the injector.

Check that all joints and seals are correctly fitted. Note that fan polarity is immaterial.

## 6.9 RE-COMMISSIONING

- Loosen the screw at the burner pressure test point and connect a pressure gauge to this point (Fig. 35). Turn on the gas and electricity supply and light the boiler as described in section 5.2
- Check the operation of the appliance in both central heating and DHW modes and ensure that the DHW maximum and minimum burner pressures after ten minutes running are as stated on the data badge.
- Remove the pressure gauge and tighten the sealing screw. Re-light the appliance and test for gas soundness.

## 6.10 SEALED WATER SYSTEMS

- Check the operation of the pressure relief valve as described in section 5.1.
- Check the correct operation of the pressure gauge by noting the reading when cold and check that the pressure increases with temperature. Replace the gauge if readings are suspect.
- Check that the system is at it's original (cold) design pressure (indicated by the pointer on the pressure gauge). If necessary, re-pressurise the system as described in section 5.1 and search for and rectify any leaks causing loss of water.

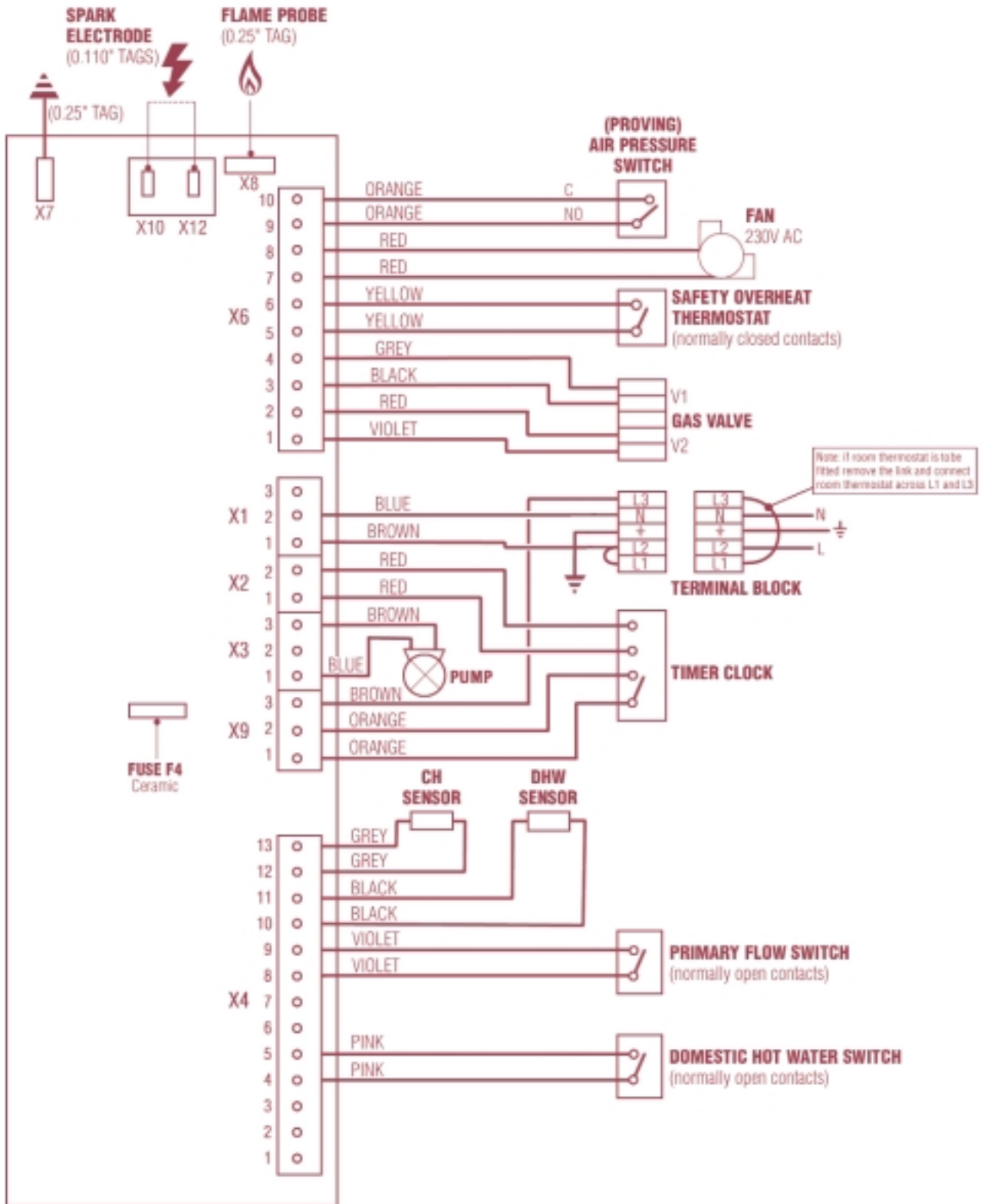
## 6.11 FINAL CHECKS

- Pivot the fascia panel into the upright position and secure with the two screws, then re-fit the front casing panel (Fig. 31).
- Return all appliance and external controls (if fitted) to their original settings.

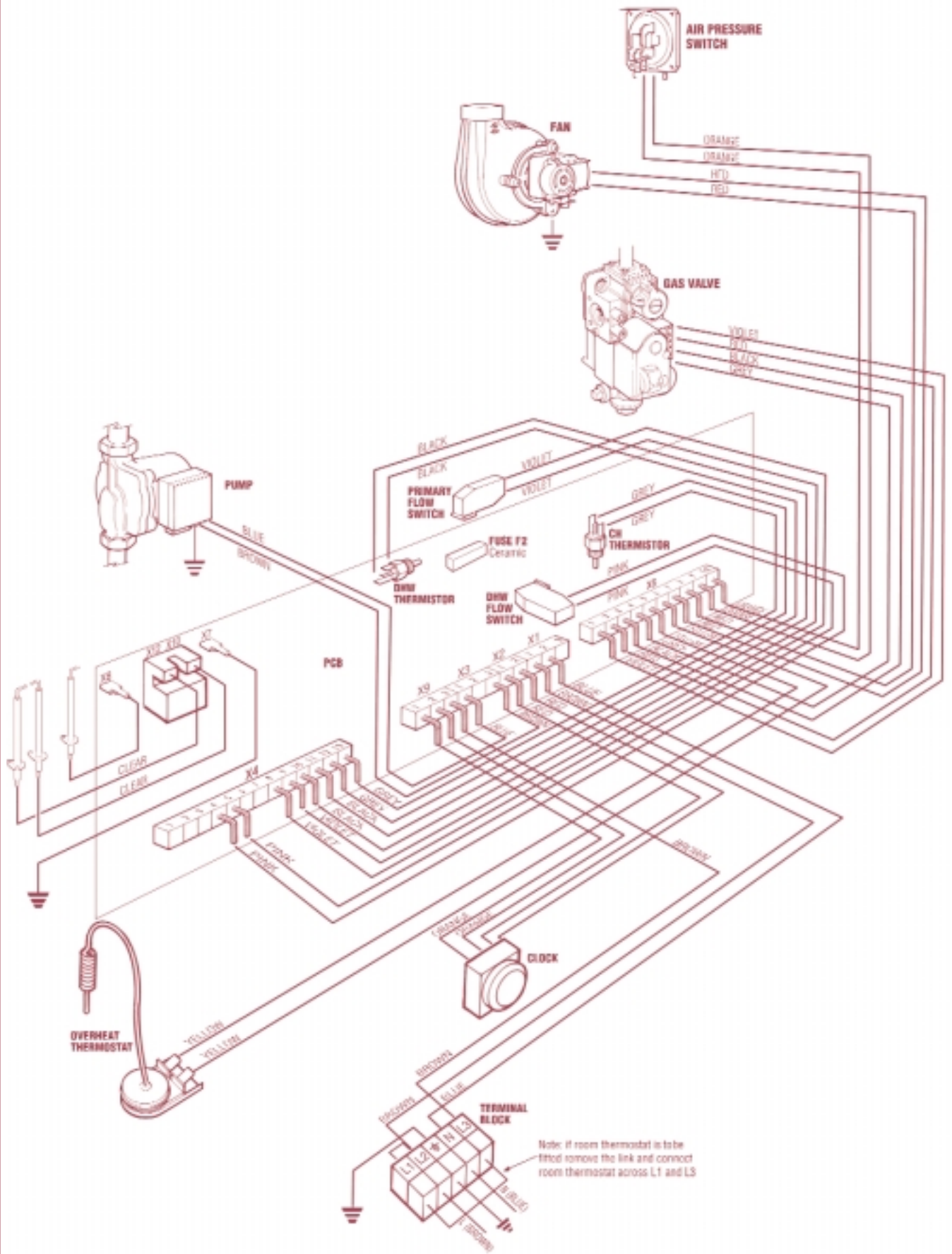


# 7 INTERNAL WIRING DIAGRAMS

## 7.1 : FUNCTIONAL FLOW WIRING DIAGRAM



## 7.2 : ILLUSTRATED WIRING DIAGRAM



# 8

## FAULT FINDING

### 8.1 GENERAL

Before looking for a fault condition, check that:

The mains electrical supply is turned on.

The clock and / or room thermostat (if fitted) are calling for heat (CH 'faults' only)

The gas service cock is open.

The DHW and CH isolation cocks are open.

The system is at design pressure.

Before attempting any electrical fault finding, always conduct the preliminary electrical system checks as described in the Instructions for the British Gas Multimeter or other similar instrument.

On completion of any service or fault finding operation involving making or breaking electrical connections always check for EARTH CONTINUITY, POLARITY, and RESISTANCE TO EARTH.

Detailed procedures for replacing faulty components are described in section 9 (Parts Replacement)

### 8.2 DIAGNOSTIC INDICATOR LED'S

The LEDs on the fascia panel (Fig. 30) show the status of the boiler as described below:

**Power ON** LED illuminated. (Green): Boiler is in service. If no other LEDs are illuminated, the appliance is awaiting a demand for heating or hot water.

**Burner ON** LED illuminated (Green): Burner is alight.

**Hot Water** LED illuminated (Green): Boiler is in DHW mode.

**Heating** LED illuminated (Green): Boiler is in Heating mode.

**Safety Lockout** LED illuminated (Red): Burner has failed to light and gone to ignition lock-out and possibly overheat cut-out. Re-set the appliance by turning the mains switch through to the Reset position (spring return) and if necessary, re-set the button on the overheat thermostat (left hand underside of casing).

NOTE: There may be a fault condition preventing ongoing operation of the appliance. Follow fault finding procedure.

### 8.3 IGNITION FAULTS

In the event of the boiler failing to light, investigate the problem by following the flow chart.

### 8.4 DHW FAULT FINDING

When the hot water tap is turned on, the controls should carry out a set of start up checks (flow chart 1) followed by an ignition sequence (flow chart 2)

If the control has powered up correctly but does not respond to a DHW demand, investigate in the following order:

Check for 0V d.c. across pins 10 and 11 on X4. If 5V is present across pins 10 and 11 check water flow switch and wiring.

If 0V is present, check DHW thermistor and wiring. If DHW thermistor and wiring are OK, replace PCB.

If DHW temperature heavily fluctuates during a long draw off and occasionally goes in an overheat Lock-out condition, check the secondary plate heat exchanger for debris and replace.

### 8.5 CENTRAL HEATING FAULT FINDING

Upon a demand for Central Heating, (closure of the time switch and room thermostat if fitted) the appliance should respond to the demand.

If the control does not respond to a CH demand, investigate in the following order:

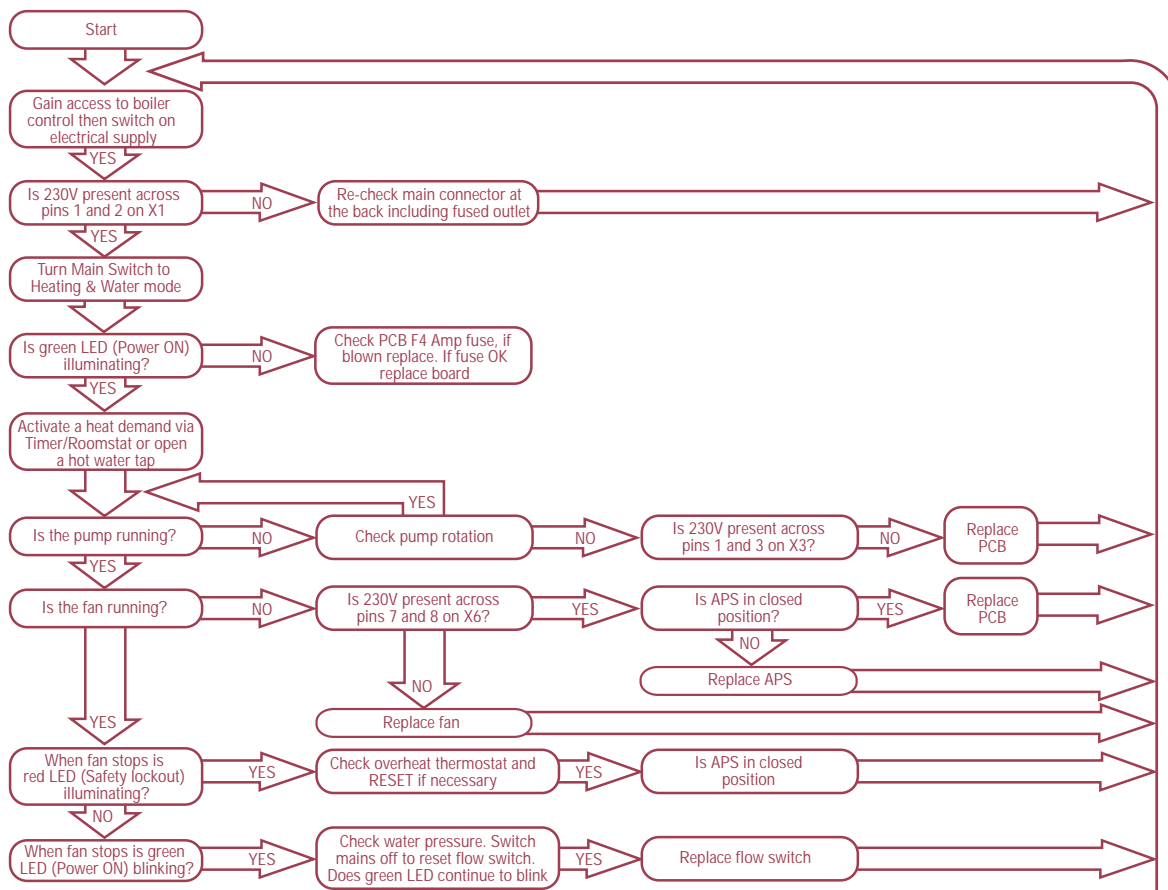
If 230 Va.c. is present across pins 1 and 2 on X1 but no start up procedure occurs ensure that the control is not in anti-cycle mode by removing power from the control and restoring it after a delay of 10 seconds, or open a hot water tap for a few seconds.

If the control still does not carry out start up checks, check CH thermistor (pins 12 and 13 on X4) and wiring.

If CH thermistor and wiring are okay, replace PCB.

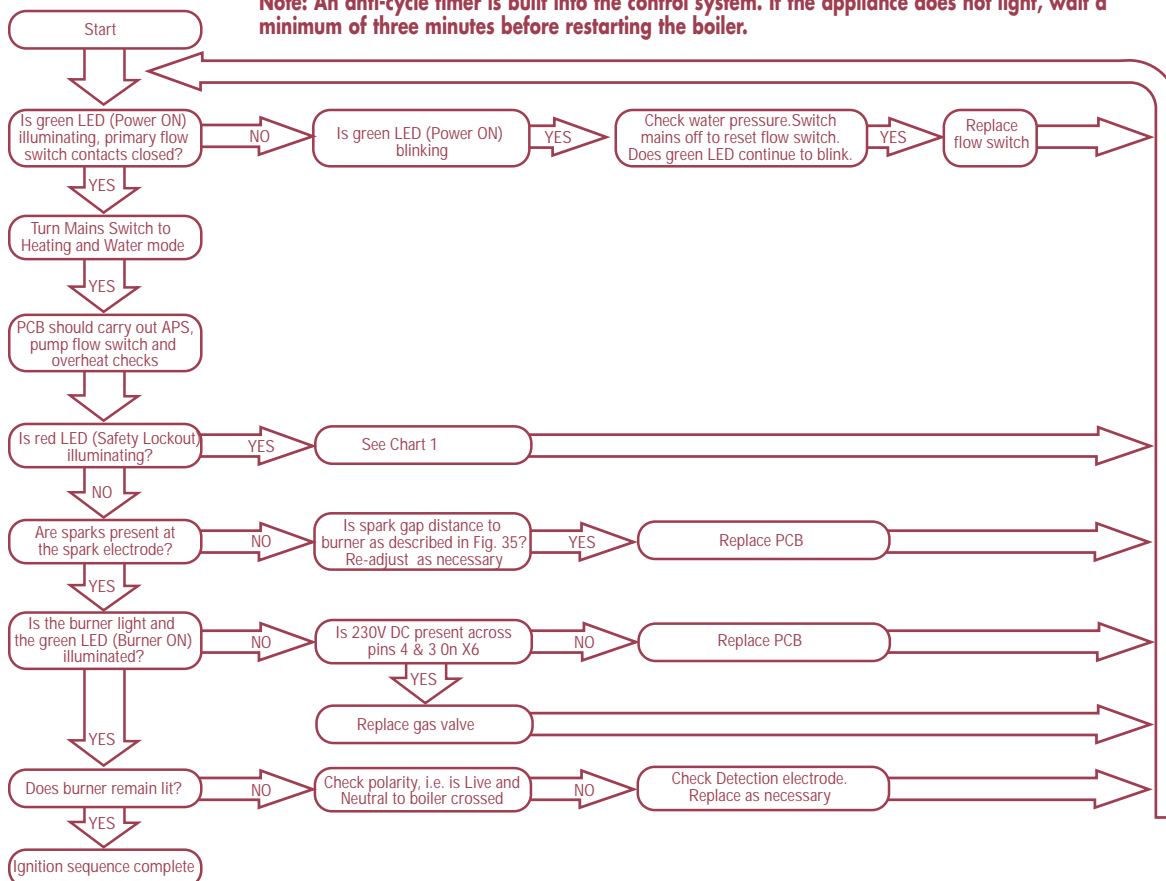
**NOTE: Whenever a CH demand is removed, either by the timer, the room thermostat or the boiler internal temperature control, an anti cycle mode is initiated which prevents the boiler firing in CH mode for 3 minutes.**

## FLOW CHART 1: START/POWER UP FAULT FINDING



## FLOW CHART 2: IGNITION SYSTEM FAULT FINDING

**Note: An anti-cycle timer is built into the control system. If the appliance does not light, wait a minimum of three minutes before restarting the boiler.**



# 9

## REPLACEMENT OF PARTS

Before commencing any service operation, ISOLATE the mains electrical supply, and TURN OFF the gas supply at the main service cock.

It is the law that any service work must be carried out by a registered person.

### 9.1 HEAT EXCHANGER

- a) Remove the casing front panel by unscrewing the retaining screw (on top of panel) and lifting off the casing panel.
- b) Remove the sealed chamber front panel (4 screws).
- c) Remove the nut securing the burner to the burner locating bracket (and burner earth wire).
- d) Remove the combustion chamber front panel and burner locating bracket (7 screws). Take care not to damage the insulation.
- e) Unscrew and remove the two screws securing the fascia panel in the upright position and pivot the control panel forwards.
- f) Remove the three electrode leads from the electrodes and unclip the grommet in the bulkhead below the burner to release the earth, ignition, and detection wires.
- g) Unscrew and remove the four screws securing the burner to the gas manifold and remove the burner by sliding it forwards with reference to Figure 33.
- h) Turn the CH flow and return valves to the closed position to isolate the boiler. Drain the appliance.
- i) Carefully remove the LH combustion chamber insulation panel, the clip must first be removed from the rear LH lower corner of the combustion chamber, to reveal an access hole to the heat exchanger union connections.
- j) Using a suitable spanner, unscrew the heat exchanger connections from inside the combustion chamber.
- k) Lift the heat exchanger clear of the two pipes, then remove the heat exchanger by sliding it forwards.
- l) Replace the heat exchanger and re-assemble in reverse order. Ensure that all joints and seals are correctly re-fitted and re-commission the system using the procedure in section 5.1.

### 9.2 COMBUSTION CHAMBER INSULATION

The design of the appliance is such that the combustion chamber insulation should not require replacement unless mechanically damaged. It is recommended that the insulation is dampened prior to removal to prevent dust.

- a) To replace the combustion chamber insulation front panel remove the front panel as described in section 9.1 steps (a) to (c) and replace the insulation.
- b) To replace the combustion chamber insulation side and rear panels remove the heat exchanger as described in section 9.1 and replace the insulation.
- c) Re-assemble in reverse order. Ensure that all joints and seals are correctly re-fitted and re-commission the system (if necessary) using the procedure in section 5.1.

**It is recommended that a protective mask is worn when changing or handling the insulation material.**

### 9.3 FAN ASSEMBLY

- a) Gain access to the fan assembly by following section 9.1 steps (a) to (d).
- b) Carefully disconnect the tab connectors on the fan wiring.
- c) Disconnect the air pressure switch sensing pipes from the fan, noting their position.
- d) Remove the fan assembly by unscrewing the two screws, lowering the assembly and lifting it forwards.
- e) Replace the fan assembly and re-assemble in reverse order. Ensure that all joints and seals are correctly re-fitted. (Polarity is immaterial on the fan connections.)

### 9.4 BURNER

- a) Remove the burner as described in section 9.1 steps (a) to (g).
- b) Transfer the ignition and detection electrodes to the new burner and check that their alignment is as detailed in figure 34.
- c) Replace the burner (with reference to figure 33) and re-assemble in reverse order. Ensure that all joints and seals are correctly re-fitted.

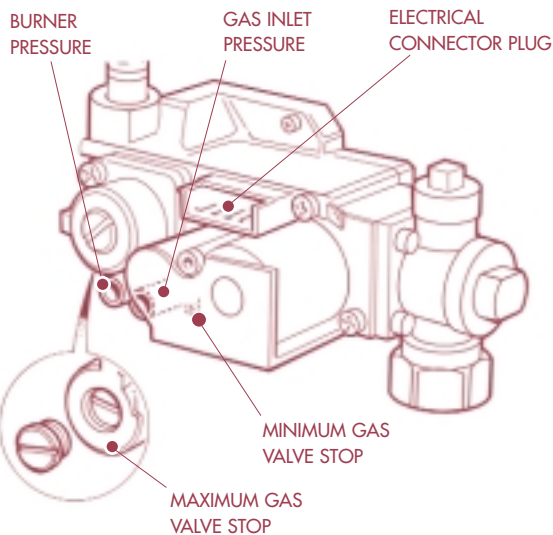
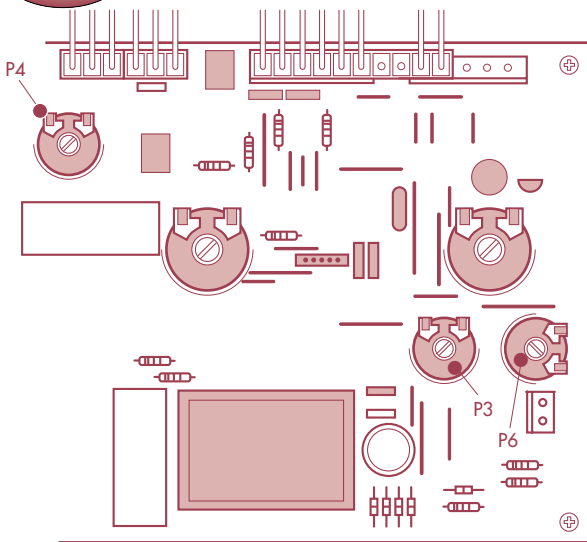
### 9.5 IGNITION & DETECTION ELECTRODES

- a) Remove the burner as described in section 9.1 steps (a) to (g).
- b) Replace the ignition and /or detection electrode(s) and check that both electrodes are aligned as detailed in figure 34. Re-assemble in reverse order. Ensure that all joints and seals are correctly re-fitted.

### 9.6 MULTIFUNCTIONAL GAS CONTROL

#### 9.6.1 GAS CONTROL REPLACEMENT

- a) Remove the casing front panel (as described in section 9.1 step (a) and lower the controls fascia panel after removing the two retaining screws.
- b) Carefully pull off the electrical connector plug from the multifunctional gas control (Fig. 35)
- c) Check that the gas service cock is turned off, and unscrew the union on the gas cock followed by the four screws securing the inlet flange of the gas control
- d) Remove the four screws securing the outlet flange to the gas control.
- e) Replace the multifunctional gas control and reassemble in reverse order ensuring that the 'O' rings are correctly fitted.

**35****MULTIFUNCTIONAL GAS CONTROL****35a****PCB SECTION****9.6.2 GAS CONTROL AND PCB BURNER PRESSURE SETTING PROCEDURE**

- Connect a suitable manometer to the gas inlet and burner pressure test points (see Fig. 35). Turn on the gas supply. Check for gas soundness taking the precautions described in section 5 and re-commission the appliance in accordance with section 5.3. In addition, it will be necessary to set the heat inputs for hot water.
- Remove PCB cover and establish link between pin 1 and 2 on terminal X4A.
- Set the Main Switch to the Heating & Water position and the temperature control knobs to high.
- Set the clock to the ON position (II) and ensure any external controls are calling for heat.
- Ignition: Disconnect spark electrodes and open hot water tap fully. During the 10 second ignition attempt turn the potentiometer P4 until the burner pressure is approx. 5mbar.
- Minimum Hot Water Heat Input: Open a hot water tap fully and as soon as the appliance has lit turn the potentiometer P3 (-CH set point) to its minimum (clockwise) position (Fig. 35a).

- Set the minimum gas valve stop by adjusting the small screw on the gas valve (Fig. 35) until the burner pressure is set to 1.3 mbar.
- Maximum Hot Water Heat Input: On the PCB, turn potentiometer P3 (max CH set point) to its maximum position (fully anti-clock).
- Set the maximum gas valve stop by adjusting the large gas valve screw (behind the screw cap, Fig. 35) until the burner pressure is 9.7 mbar.
- Minimum CH heat input: Turn the potentiometer P6 until the burner pressure is set at 2.5 mbar.
- The maximum CH heat input may be set at any point between the minimum and maximum gas control setting (originally factory set at 6.3 mbar). This can be adjusted with the potentiometer P3.
- Isolate the appliance and remove the link between pins 1 and 2 on terminal X4A. Switch the appliance back on at the mains isolation switch.
- Check that the pressures are correctly set by turning on and off the DHW tap several times and on each occasion allowing the burner to ignite.
- Reduce the DHW draw off rate progressively and check that the burner pressure reduces in response to DHW temperature rise.
- Close the DHW tap and ensure that the burner is extinguished and the pump stops (after a brief overrun period). Remove the pressure gauge, open the DHW tap to re-light the burner and test for gas soundness.
- Close the DHW tap, re-seal the adjusted potentiometers, re-assemble the control panel and casing, then set all boiler controls as required.

**9.7****AIR PRESSURE SWITCH**

- Remove the casing front panel as described in section 9.1 step (a) and remove the sealed chamber front panel (4 screws).
- Disconnect the pressure sensing pipes from the pressure switch (note that the short pipe (from the flue gas sampling point) is connected to the rear (-ve) connection on the pressure switch).
- Unscrew the two screws securing the pressure switch, and transfer the electrical connections to the new switch.
- Fit the new pressure switch and re-assemble in reverse order referring to the wiring diagrams (section 7) if necessary.

**9.8****OVERHEAT THERMOSTAT**

- Remove the casing front panel and lower the controls fascia panel as described in section 9.6 step (a).
- Unclip the thermostat phial from the pipe, and disconnect the two electrical connections (Fig. 36).
- Unscrew the four screws (underneath) securing the appliance base plate and controls fascia panel. Carefully support the fascia panel and unscrew the nut securing the overheat thermostat.
- Replace the thermostat and re-assemble in reverse order. Ensure that the phial is correctly clipped onto the pipe.

**9.9****PCB**

- Remove the casing front panel and lower the control fascia panel as described in section 9.6.1 step (a).
- Remove the PCB plastic cover (Fig. 32).

- c) Remove carefully the control knob clips holding the control knob in position and pull out the three control knobs from the front of the fascia panel (Fig. 30).
- d) Unclip the electrical connector plugs from the PCB (refer to section 7).
- e) Remove the six self tapping screws securing the PCB
- f) Remove the PCB. Re-assembly is in reverse order

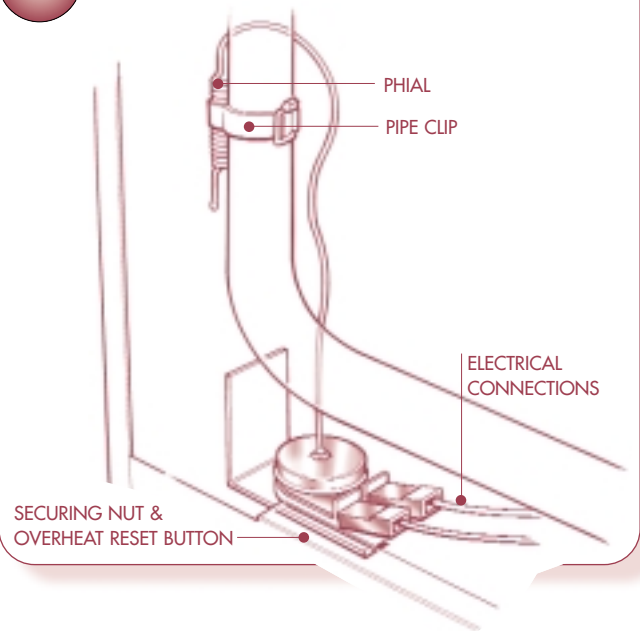
### 9.9.1 PCB CH HEAT INPUT SETTING PROCEDURE

- a) On completion of replacing the PCB the CH maximum heat input will require setting.
- b) Connect a suitable manometer to the gas inlet and burner pressure test points (see Fig. 35).
- c) Set the clock to the ON position (I) and ensure any external controls are calling for heat.
- d) Set the Main Switch to the Heating & Water position and turn the temperature control knobs to high.
- e) Wait until appliance has lit (in CH mode only) and turn potentiometer P3 (max CH set point) to the required burner pressure between 9.7 and 1.3 mbar (originally factory set at 6.3mb)

### 9.10 CH/DHW MICROSWITCH

- a) Remove the casing front panel and lower the controls fascia panel as described in section 9.6 step (a).
- b) Release the appropriate micro switch assembly from the spindle by sliding out the retaining spring clip (Refer to figure 37).
- c) Unscrew the three screws fixing the plastic housing halves together and slide the micro switch forwards to release it from the housing.
- d) Transfer the electrical connections to the new micro switch, fit the new micro switch and re-assemble in reverse order.

### 36 OVERHEAT THERMOSTAT

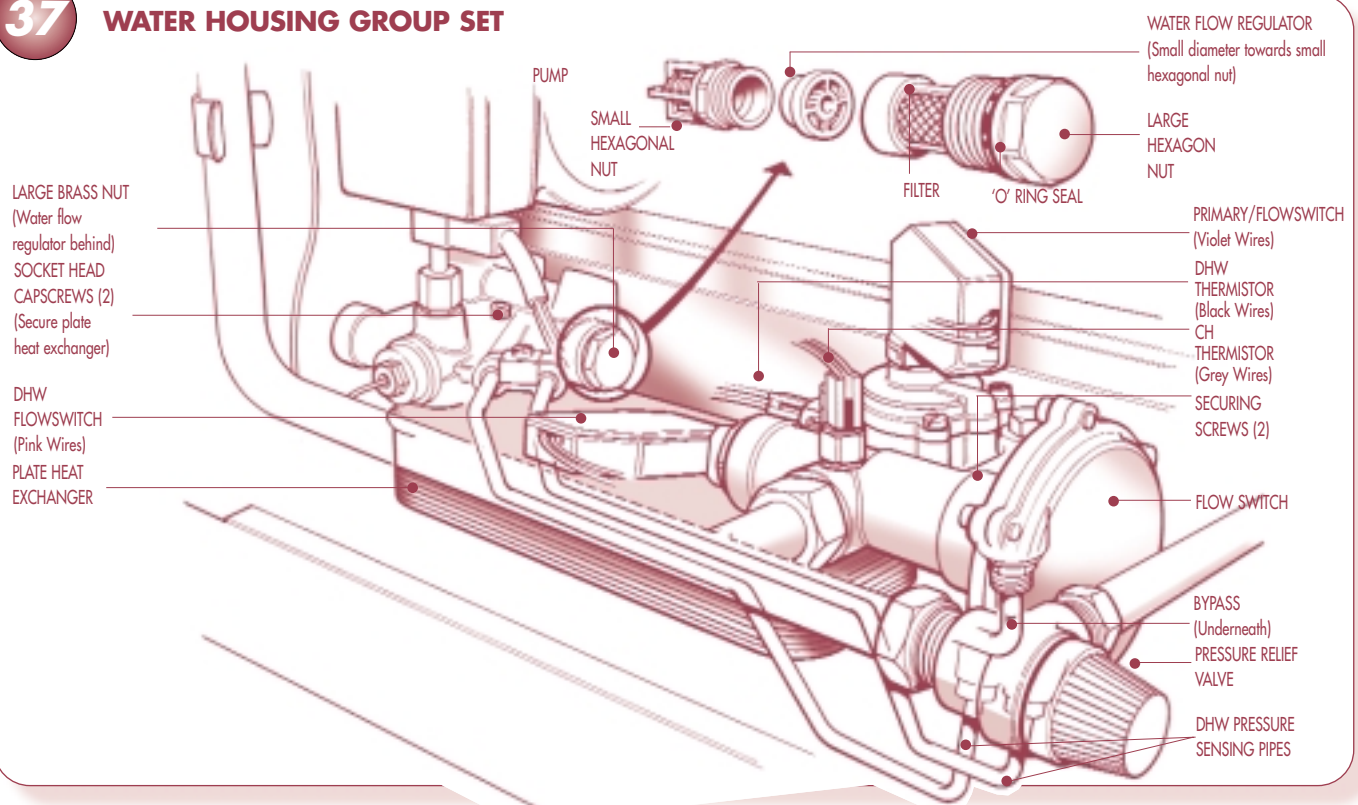


### 9.11 THERMISTORS - DHW OR HEATING

The thermistors are immersed in the waterways hence slight water loss is likely during this operation. Provision should be made to collect a small amount of water underneath the appliance.

- a) Remove the casing front panel and lower the controls fascia panel as described in section 9.6 step (a).
- b) Isolate the appliance from the system as follows:  
If replacing DHW thermistor turn off the inlet water valve (see section 5) and open all DHW taps to empty the DHW circuit).  
If replacing CH thermistor, turn off the boiler flow and return from the system using the isolation valves as shown in section 5.
- c) Unclip and remove the electrical connector plug from the thermistor. Unscrew the thermistor from the waterway.
- d) Replace the thermistor and re-assemble in reverse order. Ensure the copper washers are correctly fitted to provide a sealed joint. Re-commission the system as described in section 5.

### 37 WATER HOUSING GROUP SET



## 9.12 WATER FLOW REGULATOR

- a) Remove the casing front panel and lower the controls fascia panel as described in section 9.6 step (a).
- b) Isolate the cold water inlet valve (see section 5.1) and drain the DHW circuit by opening all DHW taps.
- c) Make provision to collect any discharged water and unscrew and remove the large brass nut (Fig. 37) supporting the regulator assembly.
- d) Unscrew the small nut at the opposite end of the assembly and carefully remove the plastic water regulator. Replace the water flow regulator. Ensure that the regulator is the correct way around (Fig. 37). The filter should be cleaned.
- e) Carefully re-assemble in reverse order then re-commission the DHW circuit as described in section 5.

## 9.13 DHW HEAT EXCHANGER

- a) Remove the casing front panel and lower the controls fascia panel as described in section 9.6 step (a).
- b) Turn the CH flow and return valves to the closed position to isolate the boiler (see section 5.1), then drain the appliance.
- c) Unscrew the pressure gauge, unplug the PCB connectors from the PCB, unscrew and remove the base plate and the controls fascia panel from the appliance after disconnecting one end of the restraining lead and the earth lead.
- d) Isolate the cold water inlet valve and drain the DHW circuit by opening all DHW taps.
- e) From underneath the appliance, remove the two spring clips securing the bypass pipe, and pull out the pipe. (Collect any discharged water).
- f) Unscrew the two socket head cap screws supporting the heat exchanger (from above the heat exchanger - see Figure 37) and push the heat exchanger downwards to release it. (Collect any discharged water).
- g) Replace the heat exchanger, then re-assemble in reverse order, ensure the 'O' ring seals are correctly positioned, and re-commission the heating and hot water systems as explained in section 5.
- h) Check for leaks.

## 9.14 DHW FLOW SWITCH BODY

- a) Remove the casing front panel and lower the controls fascia panel as described in section 9.6 step (a).
- b) Remove the complete controls fascia panel and base plate as described in section 9.13.
- c) Isolate the cold water inlet valve and drain the DHW circuit by opening all DHW taps.
- d) Refer to Figure 38. Unscrew the two screws securing the switch body to the main brass block. Note the position of the alignment pin.
- e) Remove the two spring clips, which secure the pressure sensing pipes into the switch body and pull out the pipes, taking care to collect any residual water.
- f) Remove the switch body by sliding to the right.
- g) Replace the flow switch and re-assemble in reverse order. Ensure that the alignment pin is correctly aligned. Re-commission the hot water system as explained in section 5.1.

## 9.15 PUMP

- a) Remove the casing front panel and lower the controls fascia panel as described in section 9.6 step (a).
- b) Turn the CH flow and return valves to the closed position to isolate the boiler (see section 5.1), then drain the appliance.
- c) Remove the screw securing the electrical connections cover on the pump, and remove the electrical connections.
- d) Either unscrew the two pump unions and remove the entire pump (using new sealing gaskets) OR unscrew the four socket head cap screws and remove the pump head only.
- e) Replace the pump (or pump head), re-assemble in reverse order, and re-commission the system as explained in section 5.1.

## 9.16 PRESSURE RELIEF VALVE

- a) Remove the casing front panel and lower the controls fascia panel as described in section 9.6 step (a).
- b) Turn the CH flow and return valves to the closed position to isolate the boiler (see section 5.1), then drain the appliance.
- c) Unscrew the union connections to the pressure relief valve, and remove the valve.
- d) Replace the valve, re-assemble in reverse order, and re-commission the system as explained in section 5.1.

## 9.17 PRESSURE GAUGE

- a) Remove the casing front panel and lower the controls fascia panel as described in section 9.6 step (a).
- b) Turn the CH flow and return valves to the closed position to isolate the boiler (see section 5.1), then drain the appliance.
- c) Unscrew the pressure gauge connection from the valve assembly, unclip the pressure gauge head out of the fascia panel, and remove the pressure gauge.
- d) Replace the pressure gauge, re-assemble in reverse order, and re-commission the system as explained in section 5.1.

## 9.18 AUTO AIR VENT

- a) Remove the casing front panel and sealed chamber front panel as described in section 9.1 steps (a) and (b).
- b) Remove the combustion chamber front panel and burner locating bracket (7 screws). Take care not to damage the insulation.
- c) Turn the CH flow and return valves to the closed position to isolate the boiler (see section 5.1), then drain the appliance.
- d) Remove the plastic pipe from the top of the air vent, and unscrew the auto air vent using a suitable pipe wrench.
- e) Fit replacement and re-assemble in reverse order.



## 9.19 SYSTEM EXPANSION VESSEL

In the unlikely event of failure of the expansion vessel diaphragm it is acceptable to leave the vessel in position and to fit a replacement vessel (of similar or greater capacity) external to the appliance but as close as possible to the CH return.

To replace the expansion vessel it is necessary to isolate the central heating and DHW systems from the appliance, drain the appliance and remove the appliance from the wall. The vessel can then be unscrewed and replaced.

## 9.20 TIME CLOCK

- Remove the casing front panel and lower the controls fascia panel as described in section 9.6 step (a).
- Unplug the four electrical connectors from the back of the clock.
- Remove the clock from the panel by releasing four retaining screws, transfer the wires to the new timer (referring to the wiring diagrams in section 7 if necessary), and re-assemble in reverse order.

# 10 SHORT PARTS LIST

Key G C Part No.	Description	No off	Makers Pt No.
1	BURNER (Natural gas)	1	700560
2	MANIFOLD SET (Natural gas)	1	700561
3a	IGNITION ELECTRODE L/H	1	500620
3b	IGNITION ELECTRODE R/H	1	500621
4	DETECTION ELECTRODE	1	500622
5	GAS CONTROL	1	500616
6	PCB	1	500615
7	AIR PRESSURE SWITCH	1	500592
8	FAN ASSEMBLY	1	988416
9	OVERHEAT THERMOSTAT	1	550519
10	THERMISTOR	2	500590
11	MAIN HEAT EXCHANGER	1	450979
12	DHW HEAT EXCHANGER	1	450997 TEN PLATE 450985 TWELVE PLATE
13	PRESSURE RELIEF VALVE	1	450987
14	AUTO AIR VENT	1	450908
15	PRESSURE GAUGE	1	450961
16a	PUMP 5M (ACE)	1	851214
16b	PUMP 6M (ACE HIGH)	1	851213
17	MICROSWITCH ASSEMBLY	2	500593
18	WATER FLOW REGULATOR	1	
19	FLOW SWITCH BODY	1	500594
20	EXPANSION VESSEL	1	450999
21	HEATING CLOCK	1	600520
22	ACE RETURN MANIFOLD	1	500554

# 11 SUPPLEMENT

## Supplementary instructions for flue systems with a vertical outlet.

- Read the installation requirements and flue specifications described in section 3.
- Follow the installation procedure described in section 4 up to section 4.7 (but making the necessary hole(s) in the ceiling/roof instead of the wall). Use the following instructions in place of section 4.7.
- Measure the vertical distance from the top of the boiler case to the roof line (Fig. 39). Use this length to calculate the number of extension ducts required.
- Starting at the boiler, fit the vertical socket, standard duct and extensions required. Then fit the adaptors. Ensure that they are in line (level).
- Now working from outside fit the balanced flue roof terminal, ensuring the roof flashing and sealing components are secured to the roof.
- Ensure the inner and outer ducts are correctly fitted to the adaptor.

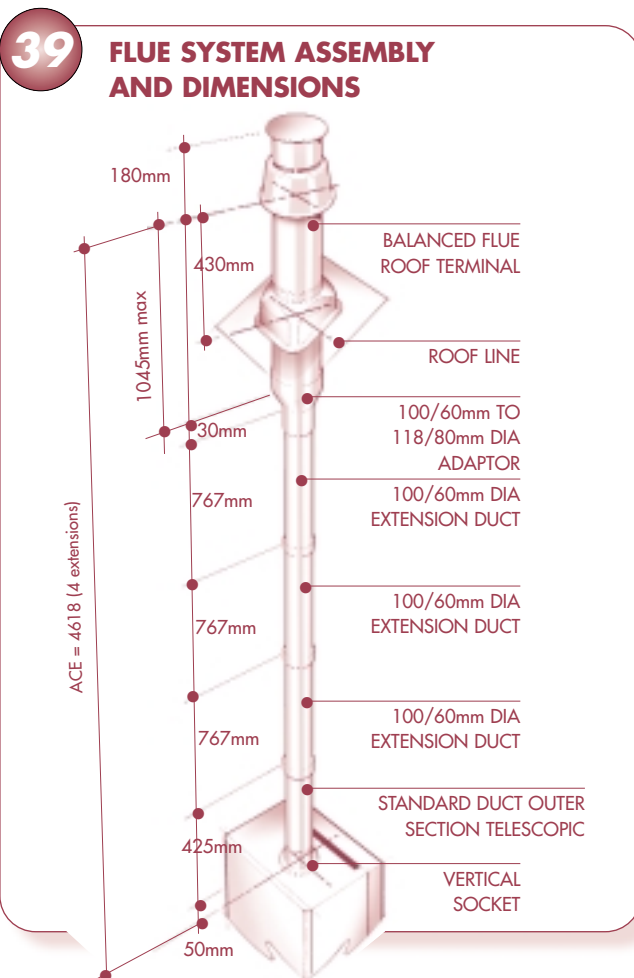
**Note:** All the joints should be secured using the self-tapping screws supplied.



**Supplementary instructions for flue systems with a vertical outlet.**

- a) Read the installation requirements and flue specifications described in section 3.
- b) Follow the installation procedure described in section 4 up to section 4.7 (but making the necessary hole(s) in the ceiling/roof instead of the wall). Use the following instructions in place of section 4.7.
- c) Measure the vertical distance from the top of the boiler case to the roof line (Fig. 39). Use this length to calculate the number of extension ducts required.
- d) Starting at the boiler, fit the vertical socket, standard duct and extensions required. Then fit the adaptors. Ensure that they are in line (level).
- e) Now working from outside fit the balanced flue roof terminal, ensuring the roof flashing and sealing components are secured to the roof.
- f) Ensure the inner and outer ducts are correctly fitted to the adaptor.

**Note: All the joints should be secured using the self-tapping screws supplied.**





*The code of practice for the installation,  
commissioning & servicing of central heating systems*

**HALSTEAD**

*British Made Boilers*

Halstead Boilers Limited, 20/22 First Avenue, Bluebridge Industrial Estate, Halstead, Essex C09 2EX  
Tel: 01787 272800. Sales Direct Line: 01787 475557. Fax: 01787 474588. Service Helpline: 01926 834834  
e - mail: [sales@halsteadboilers.co.uk](mailto:sales@halsteadboilers.co.uk) or [service@halsteadboilers.co.uk](mailto:service@halsteadboilers.co.uk) Website: [www.halsteadboilers.co.uk](http://www.halsteadboilers.co.uk)

**SERVICE HELPLINE 01926 834834**

Halstead Boilers are continuously improving their products and therefore reserve the right to change specifications without prior notice and accept no liability for any error or omission in the information contained in this document.

USER  
INSTRUCTIONS  
FOR THE

**HALSTEAD**

*Ace*

B R I T I S H M A D E B O I L E R S

FULLY AUTOMATIC FAN ASSISTED

BALANCED FLUE COMBINATION BOILER

FOR USE WITH NATURAL GAS



## **GAS SAFETY (INSTALLATION AND USE) REGULATIONS 1996 (AS AMENDED).**

It is the law that all gas appliances are installed by a registered person, in accordance with the above regulations. Failure to install appliances correctly could lead to prosecution. It is in your own interest, and that of safety, to ensure that the law is complied with.

**WARNING:** It is essential that the appliance is correctly earthed. An electricity supply of 230V~50Hz is required, fused at 3 Amp. Read these instructions carefully before attempting to operate the appliance. Comply with all applicable warnings. Do not interfere with any sealed components, and use the appliance only in accordance with these instructions.

### **1**

## **INTRODUCTION**

The **Halstead Ace** is a fully automatic, wall mounted, fan assisted balanced flue gas combination boiler for use with natural gas only.

The appliance incorporates a microprocessor based, fully modulating gas control system with direct burner ignition.

The Ace provides both central heating and instantaneous domestic hot water at outputs between 8.8 kW (30,000 Btu/h) and 24.0 kW (82,000 Btu/h).

Heat output is controlled according to demand (in both domestic hot water and central heating mode) by the modulating gas control. The appliance always gives priority to domestic hot water supply.

The appliance incorporates frost protection. However this is not operational when the main switch on the appliance is in the off position or the electrical supply to the appliance is isolated.

An electro/mechanical 24hr time clock is fitted as standard.

### **Gas Consumer Council**

The Gas Consumer Council (GCC) is an independent organisation which protects the interests of gas users. If you need advice, you will find the telephone number in your local directory under 'Gas'.

### **2**

## **APPLIANCE OPERATION**

In the event of a demand for hot water, the appliance will detect water flow and initiate the ignition sequence. The fan (and pump) will start, and the boiler will light.

If the hot water draw off rate is near to the design flow rate, the appliance will run continuously at full output until the tap is either turned off or the flow rate is reduced, in which case the heat supplied will reduce accordingly to maintain a steady temperature.

Hot water is made available almost immediately at the appliance outlet, but the final temperature and time taken for the hot water to reach a tap depends upon the thermostat setting, the rate at which water is drawn off, and the diameter and length of the pipe between the boiler and tap.

When the tap is turned off, the appliance will revert to heating mode if there is a demand for heating, otherwise the burner will be extinguished until the next demand for hot water.

### **3**

## **BOILER LOGBOOK**

Please ensure that you have a Logbook supplied with your appliance. This Logbook should be completed by your

installer(s) to verify that the correct installation and commissioning procedure was followed.

Failure to complete the Logbook may result in difficulties should a problem arise with your appliance during the guarantee period. This Logbook forms part of the industry's Benchmark code of practice for the installation, commissioning and servicing of central heating systems.

All CORGI Registered Installers carry a CORGI ID card and have a registration number. Both should be recorded in your Logbook. You can check your installer is CORGI registered by calling CORGI on 01256 372300

### **4**

## **OPERATING INSTRUCTIONS**

- 1) Check that the gas and electricity supplies are **ON** and that the water isolation valves underneath the appliance are also turned **ON**.
- 2) If heating is required, first turn the main switch to the Heating & Water position and the Heating temperature control to maximum (fully clockwise). Ensure that the clock is set to an **ON** period (see diagram) or set the clock over-ride switch to the **ON** position. Turn up the room thermostat (if fitted). The boiler will run through a series of tests then the burner will light and the three green LEDs – Power On, Heating and Burner On - will be illuminated.
- 3) Hot water will be supplied as soon as any Domestic Hot Water tap is turned on and the green Hot Water LED will be illuminated. If necessary, adjust the temperature of the hot water using the Hot Water temperature control.

**NOTE:** Priority is always given to Domestic Hot Water supply.

If the burner fails to light, ignition lock-out occurs. In the event of ignition lock-out the red safety Lockout LED will be illuminated. To reset the appliance and initiate a further ignition attempt it is necessary to turn the main switch through to the Reset position (spring return to setting).

If the red safety Lockout LED illuminates again after another ignition attempt, another fault may exist. In this case, press the overheat re-set button situated underneath the LHS of the appliance and reset the appliance as detailed above. If the fault persists, consult your installer or service engineer.

**TO TURN THE APPLIANCE OFF:** For short or long periods:

Switch the clock over-ride switch to the **OFF** position.

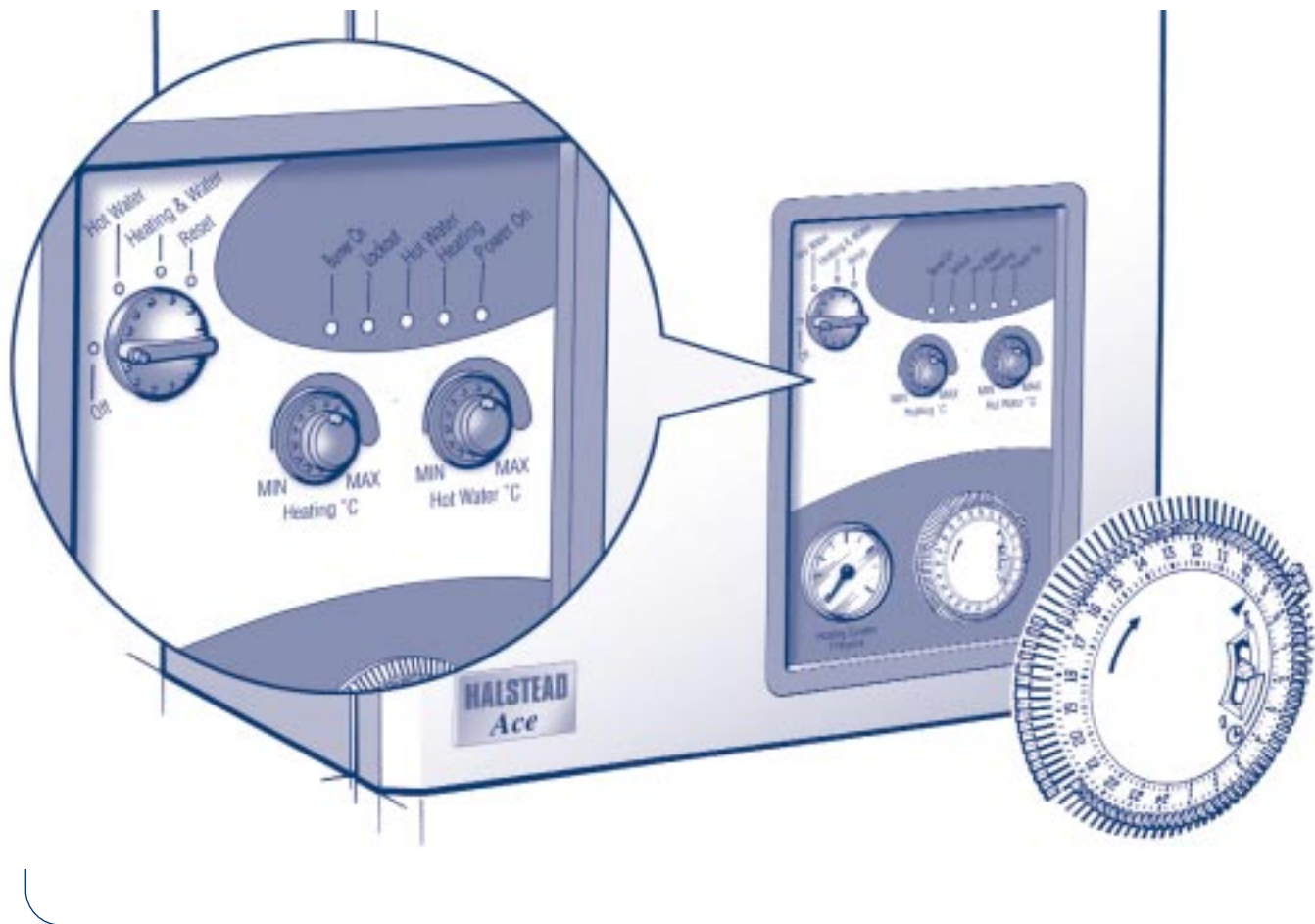
**Note:** Frost protection is fitted as standard, but this can only function if the gas and electricity supplies are maintained and the main switch on the appliance is left in the hot water or heating and water mode. The clock can be switched to the off setting. If either of these services is to be isolated during a period when frost is likely, the water circuits must be drained.

### **5**

## **CLEARANCES AND VENTILATION**

The following minimum clearances must be maintained for installing and servicing the appliance, 200mm top and bottom, 5mm each side and 450mm in front.

If the appliance is installed in a compartment it must not be used for storage purposes. Any ventilation provided for the appliance during installation **MUST NOT** be blocked and a periodic check must be made to ensure that vents are free from obstructions.



## 6 ROUTINE SERVICING

To ensure continued safe and efficient operation of the appliance it is recommended that it is checked and serviced as necessary at regular intervals. The frequency of servicing will depend upon the particular installation conditions and usage but in general once a year should be adequate. It is the law that any service work **MUST** be carried out by a registered engineer such as British Gas or CORGI registered personnel.

## 7 ADDITIONAL INFORMATION

### 7.1 IGNITION LOCK-OUT

In the event of an ignition failure, the red safety Lockout LED will be illuminated. Turn the main switch through to the Reset position and release (spring return to setting).

### 7.2 OVERHEAT THERMOSTAT

This appliance is fitted with an overheat thermostat. In the event of overheating, the appliance will shut down and the red safety Lockout LED will light. If an overheat condition occurs allow the appliance to cool, then press the overheat reset button once. It is located underneath the appliance at the left hand side, the ignition

will also require re-setting before the ignition sequence can take place. If this fault condition is repeated, contact your installer or service engineer.

### 7.3 FROST PROTECTION

This appliance is fitted with a frost protection device. In the event of very cold conditions the pump may operate and the boiler may light for a few minutes to protect the appliance and system from potential frost damage. This can only function if the gas and electricity supplies are maintained and the main switch on the appliance is left in the hot water or heating and water mode. The clock can be switched to the off setting.

### 7.4 PRESSURE GAUGE

The pressure gauge on the fascia panel indicates the approximate system pressure. If the normal running pressure is seen to decrease over a period of time there is a water leak. Consult your installer or service engineer.

### 7.5 ELECTRICAL SUPPLY

This appliance requires a 230V~50Hz electrical supply fused at 3A.

**THIS APPLIANCE MUST BE EARTHED.**

## 8 OTHER FEATURES

The following additional features are included in the appliance specification:

### 8.1 ANTI-CYCLE DEVICE

When the appliance cycles on it's central heating control setting, a slow cycle device operates. This allows the water to heat up slowly thus preventing rapid cycling of the burners.

### 8.2 ANTI PUMP SEIZURE DEVICE

Providing that a power supply is maintained, The pump will operate for at least 20 seconds every 23 hours (regardless of heat demand) to prevent pump seizure during periods when the appliance is not used.

### 8.3 C.H. WATER FLOW SWITCH

This device prevents the burner from igniting if there is inadequate water flow through the main heat exchanger. If the Power On LED flashes, this indicates failure of the flow switch and your installer or service engineer should be contacted.

## 9 CLEANING

Use only a damp cloth and mild detergent to clean the appliance outer casing. **DO NOT** use abrasive cleaners.

## 10 SAFETY

It is essential that these instructions are strictly followed for the safe and economical operation of this appliance.

The appliance is a fan-assisted balanced flue gas boiler and therefore the flue terminal **MUST NOT BE OBSTRUCTED** under any circumstances. If it is damaged, turn off the appliance and consult your installer, service engineer, or BG Service.

If it is known or suspected that a fault exists on the appliance it **MUST NOT** be used until the fault has been rectified by a competent person.

# HALSTEAD

*British Made Boilers*

20/22 First Avenue, Bluebridge Industrial Estate, Halstead, Essex. C09 2EX

Tel: (01787) 272800 Fax: (01787) 474588

**SERVICE HELPLINE 024 7635 1424**

Halstead Boilers are continuously improving their products and therefore reserve the right to change specifications without prior notice and accept no liability for any error or omission in the information contained in this document.

# ACE, ACE HIGH, WICKES COMBI 82 & 102

