

Technical information

## Remeha Quinta 85

Remeha Quinta 85

- High-efficiency condensing boiler for wall mounted installation
- Output: 14 - 90 kW



 remeha

**TABLE OF CONTENT**

|  |           |
|--|-----------|
| <b>Preface</b>   | <b>5</b>  |
| <b>1 General description of the boiler</b>                   | <b>6</b>  |
| <b>2 Construction</b>  | <b>7</b>  |
| 2.1 Boiler layout  | 7         |
| 2.2 Operating principle                                      | 8         |
| <b>3 Technical data and dimensions</b>                       | <b>9</b>  |
| 3.1 Dimensions   | 9         |
| 3.2 Technical data   | 10        |
| 3.3 General Specification                                    | 11        |
| 3.4 Options  | 12        |
| <b>4 Efficiency information</b>                              | <b>12</b> |
| 4.1 Annual efficiency  | 12        |
| 4.2 Heat to water efficiency                                 | 12        |
| <b>5 Application information</b>                             | <b>12</b> |
| <b>6 Control and safety equipment</b>                        | <b>13</b> |
| 6.1 The control panel  | 13        |
| 6.1.1 General  | 13        |
| 6.1.2 Layout of the control panel                            | 13        |
| 6.1.3 Combined key functions (in operating mode only)        | 14        |
| 6.1.4 Display of values with more than two digits            | 15        |
| 6.2 Flow diagram control system                              | 16        |
| 6.3 Operating mode (X □ □)                                   | 18        |
| 6.4 Shut-off mode (b X X)                                    | 19        |
| 6.5 Setting mode user level (X □ □)                          | 20        |
| 6.5.1 Flow temperature set point (1)                         | 21        |
| 6.5.2 Pump run on time HTG (2)                               | 21        |
| 6.5.3 DHW temperature set point (3)                          | 22        |
| 6.5.4 Boiler control setting (R)                             | 22        |
| 6.6 Setting mode service level (X 0 0)                       | 23        |
| 6.6.1 Flow temperature set point during forced part load (4) | 25        |
| 6.6.2 High limit thermostat (5)                              | 25        |
| 6.6.3 Fan speed at full load HTG (6)                         | 25        |
| 6.6.4 Fan speed at part load (HTG and DHW - 7)               | 25        |
| 6.6.5 Starting point modulation (8)                          | 25        |

|          |   |           |
|----------|---|-----------|
| 6.6.6    | Interface selection (Q)                                     | 26        |
| 6.6.7    | DHW cut-in temperature (b)                                  | 26        |
| 6.6.8    | Fan Speed at DHW full load (L)                              | 26        |
| 6.6.9    | Forced part load time after start (HTG only - L)            | 26        |
| 6.6.10   | DHW control stop set point (i)                              | 27        |
| 6.6.11   | DHW control option (J)                                      | 27        |
| 6.6.12   | HTG cut in temp (n)   | 27        |
| 6.6.13   | Boiler type (P)   | 27        |
| 6.6.14   | Maximum delay time (U)                                      | 27        |
| 6.6.15   | Start and end point analog signal (Q and Y)                 | 28        |
| 6.7      | Read-out mode (X, 0, 0)                                     | 28        |
| 6.8      | Fan speed mode (r, 0, 0)                                    | 29        |
| 6.9      | Failure mode (X, 0, 0)                                      | 29        |
| <b>7</b> | <b>Installation instructions</b>                            | <b>30</b> |
| 7.1      | General   | 30        |
| 7.2      | Location  | 30        |
| 7.3      | Flue gas discharge and air supply                           | 31        |
| 7.3.1    | General   | 31        |
| 7.3.2    | Classification due to discharging flue gases                | 32        |
| 7.3.3    | Material and installation                                   | 33        |
| 7.3.4    | Single boiler conventional flue                             | 33        |
| 7.3.5    | Single boiler, room sealed flue                             | 34        |
| 7.3.6    | Different pressure zones                                    | 35        |
| 7.3.7    | Modular installations                                       | 36        |
| 7.4      | Hydraulic installation                                      | 36        |
| 7.4.1    | Condensate and AAV discharge                                | 36        |
| 7.4.2    | Water treatment   | 37        |
| 7.4.3    | Cold feed and expansion tank height for open vented systems | 38        |
| 7.4.4    | Safety valve  | 38        |
| 7.4.5    | Gas connection  | 39        |
| 7.4.6    | System pump   | 39        |
| 7.4.7    | Waterflow   | 39        |
| 7.5      | DHW production  | 39        |
| <b>8</b> | <b>Electrical installation</b>                              | <b>42</b> |
| 8.1      | General   | 42        |
| 8.2      | Specifications  | 42        |
| 8.2.1    | Electrical supply   | 42        |
| 8.2.2    | Control box   | 42        |
| 8.2.3    | Fuse specification  | 42        |
| 8.2.4    | Boiler temperature control                                  | 43        |
| 8.2.5    | High limit temperature protection                           | 43        |
| 8.2.6    | Low-water protection (flow and content)                     | 43        |

|           |  |           |
|-----------|--|-----------|
| 8.3       | External connections                                 | 43        |
| 8.4       | Boiler control                                       | 44        |
| 8.4.1     | Modulating (two wire control)                        | 44        |
| 8.4.2     | Analog control (0 -10 Volt dc)                       | 46        |
| 8.4.3     | On / off control (1 x no volt switched pair)         | 47        |
| 8.4.4     | High / low control (2 x no volt switched pairs)      | 48        |
| 8.5       | DHW control (Broag priority)                         | 48        |
| 8.5.1     | Temperature control                                  | 48        |
| 8.5.2     | Primary flow control                                 | 48        |
| 8.6       | System pump  | 48        |
| 8.7       | Frost protection                                     | 48        |
| 8.8       | Remote alarm and boiler run indication               | 48        |
| 8.9       | Safety interlock                                     | 49        |
| <b>9</b>  | <b>Commissioning</b>                                 | <b>50</b> |
| 9.1       | Shut-down  | 53        |
| 9.1.1     | Temporary shut-down with frost protection            | 53        |
| 9.1.2     | Permanent shut-down without frost protection         | 53        |
| <b>10</b> | <b>Fault-finding</b>                                 | <b>54</b> |
| 10.1      | General (all installations)                          | 54        |
| 10.2      | Fault codes  | 55        |
| <b>11</b> | <b>Inspection and servicing instructions</b>         | <b>59</b> |
| 11.1      | General  | 59        |
| 11.2      | Annual Inspection                                    | 59        |
| 11.3      | Maintenance  | 60        |
| 11.4      | Cleaning the fan                                     | 61        |
| 11.5      | Cleaning the venturi                                 | 61        |
| 11.6      | Cleaning the heat exchanger                          | 61        |
| 11.7      | Cleaning the burner assembly                         | 61        |
| 11.8      | Cleaning the siphon                                  | 61        |
| 11.9      | Cleaning/replacing the ignition/ionisation electrode | 62        |
| 11.10     | Cleaning to inspection glass                         | 62        |
| 11.11     | Part list Quinta 85 boiler                           | 63        |

## PREFACE

These technical instructions contain useful and important information for the correct operation and maintenance of the Remeha HTG boiler, model Quinta 85.

Read these instructions carefully before putting the boiler into operation, familiarise yourself with its control functions and operation, strictly observing the instructions given. Failure to do so may invalidate warranty or prevent the boiler from operating.

The installation and commissioning of the boiler must be carried out by a competent Engineer, with the relevant certification ie: CORGI, ACOPS, IEE regs. etc. On completion a copy of the commissioning sheet should be returned to Broag Ltd for record purposes.

If you have any questions, or if you need more information about specific subjects relating to this boiler, or its installation please do not hesitate to contact us. The data published in these technical instructions is based on the latest information (at date of publication) and may be subject to revisions.

We reserve the right to continuous development in both design and manufacture, therefore any changes to the technology employed may not be retrospective nor may we be obliged to adjust earlier supplies accordingly.

**1 GENERAL DESCRIPTION OF THE BOILER**

The Remeha Quinta 85 is a wall hung condensing boiler which may be also installed free standing on a suitable frame (option). The one piece cast aluminium heat exchanger and other major components are contained within a sealed air box. This forms the main boiler casing with a removable front section for maintenance purposes. All electrical and electronic controls are contained within the instrument panel mounted behind the drop down lower front panel.

The combined flue gas outlet and combustion air inlet are mounted on the top of the boiler with the flow, return, gas and condensate connections located at the bottom. The boiler is suitable for room sealed or open flue applications and has been designed for central heating and indirect hot water production at working pressures not exceeding 4 bar. It must be installed on a fully pumped system and is suitable for use on both sealed and open vented installations (minimum operating pressure of 0.8 bar). The pre-mix, down firing gas burner (NG or PROPANE) with its gas/air ratio control system ensures clean, trouble free operation with higher than average efficiencies of 109% (NCV) in the condensing mode combined with ultra low NO<sub>x</sub> and minimum CO emissions. The standard control package allows actual and set values to be read and adjusted on the built in digital display which also provides normal operating and fault code indication.

An intelligent, advanced boiler control ('**abc**') continuously monitors the boiler conditions, varying the heat output to suit the system load. The control is able to react to external "negative" influences in the rest of the system (flow rates, air / gas supply problems) maintaining boiler output for as long as possible without resorting to a lock out condition. At worst the boiler will reduce it's output and/or shut down (shut-off mode) awaiting the "negative" conditions to return to normal before re-starting. The 'abc' control cannot override the standard flame safety controls.

The boiler meets the requirements of the EC regulations according to the following directives:

- 90/396/EEC Gas appliances directive
- 92/42/EEC Efficiency directive
- 73/23/EEC Electrical low voltage directive
- 89/336/EEC Directive on electromagnetic compatibility E.M.C.
- 97/23/EEC Pressure equipment directive PED (art. 3, part 3)

Remeha Quinta 85 - PIN: 0063BL3253

## 2 CONSTRUCTION

### 2.1 Boiler layout

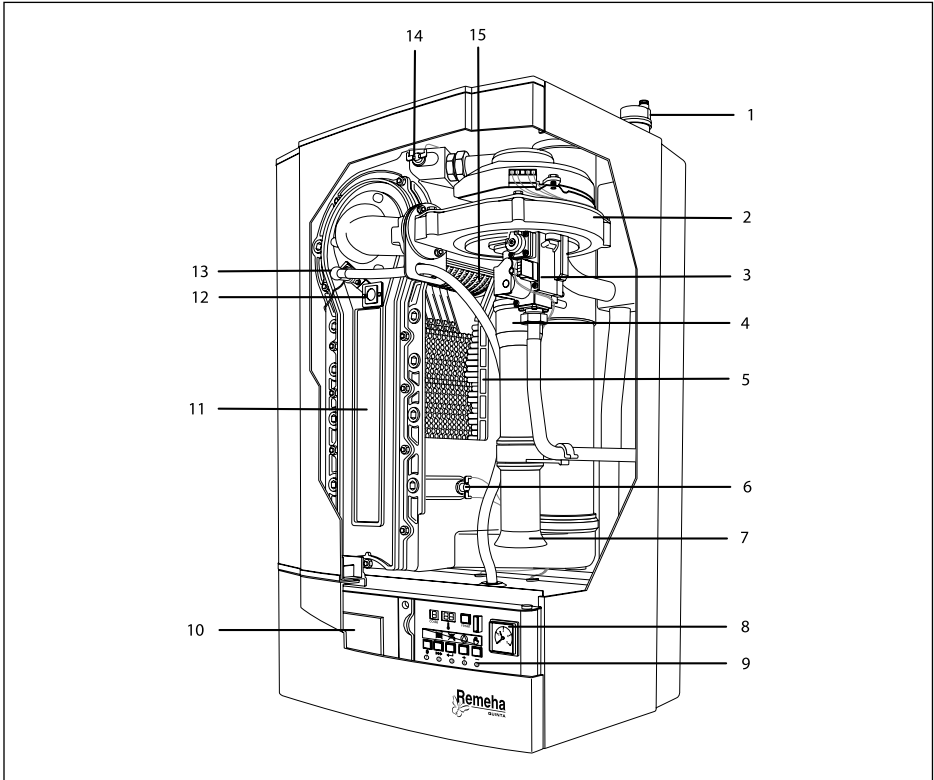


Fig. 01 Boiler layout Remeha Quinta 85

pdf

- |                                    |   |
|------------------------------------|---|
| 1. Automatic air vent              | 9. Control panel  |
| 2. Air supply fan                  | 10. Facility for incorporating a <b>rematic</b> <sup>®</sup> weather compensated boiler control |
| 3. Gas combi-block (with governor) | 11. Heat exchanger inspection cover   |
| 4. Gas injector/venturi            | 12. Sight glass   |
| 5. Cast aluminium heat exchanger   | 13. Combined ignition/ionisation probe  |
| 6. Temperature sensor-return       | 14. Temperature sensor-flow   |
| 7. Air inlet tube                  | 15. Pre-mix burner  |
| 8. Pressure gauge                  |   |

## **2.2 Operating principle**

Combustion air is drawn into the closed air box by a variable speed fan, through the air inlet connection from the plant room (open flued) or from outside via the concentric flue system (room sealed). On the inlet side of the fan is a specially designed venturi which is connected to the outlet side of the gas combi block.

Depending on the demand (under the dictates of flow/return sensor and other external/internal control inputs) the electronic control unit directly monitors the volume of gas and air being delivered to the premix burner. This mixture is initially ignited by the combined ignition/ionisation probe which then monitors the state of the flame. Should the flame not ignite or is unstable within the pre-set safety time cycle the controls will shut the boiler down (after 5 attempts) requiring manual intervention to reset the boiler. The digital display will also indicate a flashing fault code confirming the reason for the failure.

The products of combustion in the form of hot flue gases are forced through the heat exchanger transferring their heat to the system water (the flue gas temperature is reduced to approximately 5°C above the temperature of the system return water) then discharged via the condensate collector, vertically through the 100/150 mm combined flue/air connection to atmosphere.

Because of the low flue gas exit temperature there will be a vapour cloud formed at the flue gas terminal - this is not smoke, simply water vapour formed during the combustion process.

If the controls allow the flow and therefore return temperature to fall below dew point (55°C) this water vapour will begin to condense out in the boiler, transferring its latent heat into the system water, increasing the output of the boiler without increasing the gas consumption.

Condensation formed within the boiler and flue system is discharged from the boiler to an external drain via the drain pan / siphon supplied.



### 3 TECHNICAL DATA AND DIMENSIONS

#### 3.1 Dimensions

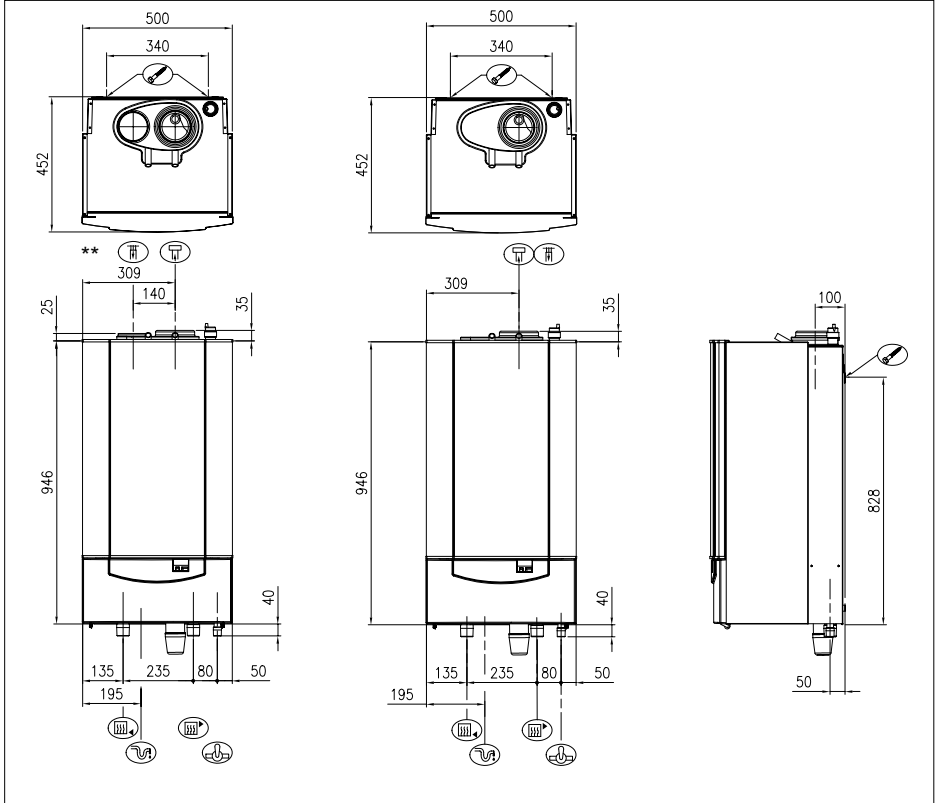









Fig. 02 Dimensions Remeha Quinta 85

00.W4H.79.00048 + 05.W4H.79.00024

-  Return connection 1¼" BSP (m)
-  Flow connection 1¼" BSP (m)
-  Gas connection ¾" BSP (m)
-  Condensate connection 25 mm Ø o/d (plastic)
-  Flue gas connection 100 mm Ø i/d
-  Combustion air supply connection 150 Ø i/d or
- \*\* Combustion air supply connection 100 Ø i/d, see Par. 7.3.1
-  Holes for mounting bracket

**3.2 Technical data**

| <b>Boiler type</b>  |   | <b>Quinta 85</b> |
|---|---|------------------|
| <b>General</b>  |   |                  |
| Colour side and front casing<br>Colour instrument panel flap  | BS RAL  | 9016<br>7036     |
| Boiler control options (External input)<br>(Two wire control) | On/off, High/low, Analog 0 -10V<br>Communicating Modulation |                  |
| Nominal output (80/60°C)                                      | kW  | 14.1 - 84.2      |
| Nominal output (50/30°C)                                      | kW  | 15.8 - 89.5      |
| Nominal input (GCV / H <sub>s</sub> )                         | kW  | 16.2 - 95.3      |
| Nominal input (NCV / H <sub>i</sub> )                         | kW  | 14.6 - 86.0      |
| Weight dry  | kg  | 72               |
| Noise level at 1 m from boiler                                | dB(A)   | < 52             |
| <b>Gas- and flue details</b>                                  |   |                  |
| Category  | II <sub>2H3P</sub>  |                  |
| Min/Max Inlet pressure natural gas                            | mbar  | 17 - 30          |
| Min/Max Inlet pressure propane                                | mbar  | 37 - 50          |
| Gas consumption (natural gas)                                 | m <sup>3</sup> /h   | 1.5 - 9.1        |
| Gas consumption (propane)                                     | m <sup>3</sup> /h   | 0.6 - 3.5        |
| NO <sub>x</sub> -emission *)                                  | mg/kWh  | < 47             |
| NO <sub>x</sub> -emission (O <sub>2</sub> = 0%, dry) *)       | ppm   | < 27             |
| Residual fan duty   | Pa  | 160              |
| Mass flue rate  | kg/h  | 23 - 138         |
| Classification due to discharging flue gases                  | B23, C13, C33, C43, C53,<br>C63, C83                        |                  |
| <b>Water side</b>   |   |                  |
| Maximum flow temperature                                      | °C  | 100 (110)        |
| Operating flow temperature                                    | °C  | 20 - 90          |
| Operating pressure min. (open vented)                         | bar   | 0.3              |
| Operating pressure min. (pressurised)                         | bar   | 0.8              |
| Operating pressure max.                                       | bar   | 4.0              |

|                                    |      |          |
|------------------------------------|------|----------|
| Water contents                     | ltr  | 7.5      |
| Water resistance at 11 °C Δt       | mbar | 460      |
| Water resistance at 20 °C Δt       | mbar | 140      |
| Nominal flow at 11 °C Δt           | l/s  | 1.74     |
| Nominal flow at 20 °C Δt           | l/s  | 0.96     |
| <b>Electrical</b>                  |      |          |
| Main supply                        | V/Hz | 230 / 50 |
| Electric rating without pump (max) | W    | 30 - 160 |
| Insulation class                   | IP   | 20       |

Table 01 Technical data Remeha Quinta 85

\*) DIN 4702, part 8

### 3.3 General Specification

(to be read with above table)

- One piece cast aluminium heat exchanger.
- 1¼" BSP (m) flow and return connections.
- ¾" BSP (m) gas connection.
- Maximum operating pressure of 4.0 bar.
- Maximum operating temperature of 95°C.
- Low NO<sub>x</sub> (max 27 ppm, O<sub>2</sub>= 0%, dry) DIN 4702, part 8.
- Pre-mix, fully modulating (18 -100%) gas burner with gas/air ratio control for maximum efficiency.
- Intelligent advanced boiler control '**abc**' c/w a comprehensive operating, service and fault diagnostic facility.
- Available for conventional flue or room sealed operation.
- Capable of remote BMS (0 -10V, on/off and High/low control options).
- Supplied fully factory assembled.
- Powder coated enamel steel casing.
- Suitable for use with a Natural gas as standard or propane (with boiler parameters change and included restrictor, also see the included "Assembly instructions Propane set" )
- Supplied as standard with safety interlock facility, temperature indication, control and high limit sensors, common alarm and boiler run indication.
- Efficiency of 98% at 80/60°C (H<sub>i</sub>).
- Max efficiency of 108% (H<sub>i</sub>) in fully condensing mode.
- Manufactured to ISO 9001.
- CE approved.

### 3.4 Options

- Floor frame.
- Two pipe flue/air inlet adapter plate (excentric room sealed).
- DHW-sensor.
- Weather compensating controllers.
- Heat exchanger cleaning tool.
- EMC filter for boiler sensor or boiler thermostat cables (when sensor wires exceed 3 m. length).

## 4 EFFICIENCY INFORMATION

### 4.1 Annual efficiency

108% at  $H_i$  at an input of 30% and a return temperature of 30°C.

### 4.2 Heat to water efficiency

- Up to 98% at  $H_i$  at an average water temperature of 70°C (80/60°C).
- Up to 108% at  $H_i$  at an average water temperature of 40°C (50/30°C).

**NOTE:**  $NCV = H_i$ ,  $GCV = H_s$

## 5 APPLICATION INFORMATION

The Quinta 85 can be used on all new and re-furbishment projects in both single and multiple configurations. Conventional and room sealed flue system capability means that the boiler can be sited almost anywhere within a building.

The Remeha range of weather compensators (options) are able to communicate directly with the boiler controls (two wire) to make full use of it's fully modulating feature, ensuring that the boiler closely matches the system demand at all times. External control systems (BMS) can be interfaced with the boiler to provide on/off - high/low or modulating (0 -10 V) control options.

## 6 CONTROL AND SAFETY EQUIPMENT

### 6.1 The control panel

#### 6.1.1 General

The boiler is supplied with a standard set of defaults pre-programmed for normal operation but can be tailored by the Engineer to suit most site conditions. These values are set and read using the built in control panel or with a notebook computer/ PDA (with an interface and software available from Broag).

For security the control has three levels of access:

- User level - free access
- Service level - access with service code by qualified personnel
- Factory level - access by PC/PDA with factory code (Remeha only)

#### 6.1.2 Layout of the control panel

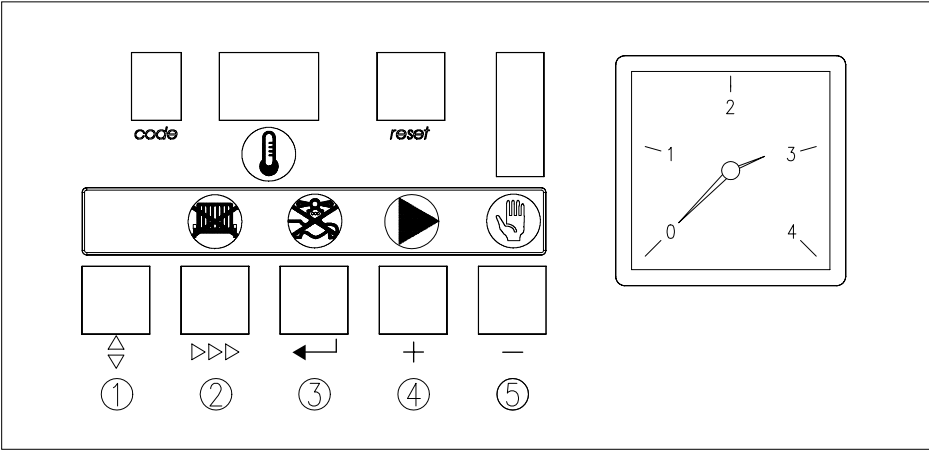


Fig. 03 Control panel  
00.W4H.79.00044

|   |   |
|---|---|
| a. 'code'-display                       |   |
| Indicates on user level:                | operating mode: only one digit  |
|   | setting mode: digit with dot  |
|   | read-out mode: digit with flashing dot  |
|   | shut-off mode: letter   |
|   | forced full load: letter  |
|   | forced part load: letter  |
| Additional indication on service level: | speed mode: alternate half digit  |
|   | failure mode: flashing digit  |
| b. -display                             |   |
| Indicates:                              | Temperatures, settings, fault codes (flashing digits), shut-off codes (flashing dots) |
| c. <b>reset</b> -key:                   | to reset after a lockout condition  |
| d. -key:                                | Program function: key to select the required mode                                     |
| e. '▶▶▶'-key:                           | Program function: key to select the required program within the selected mode         |
| e. '▶▶▶'-key + -symbol:                 | Switch function: burner switch HTG (manual override)                                  |
| f. '←'-key:                             | Program function: key to save the settings  |
| f. ←-key + -symbol:                     | Switch function: burner switch DHW (manual override)                                  |
| g. [+]-key:                             | Program function: to select a higher setting  |
| g. [+]-key + -symbol:                   | Switch function: pump manual override   |
| h. [-]-key:                             | Program function: to select a lower setting   |
| h. [-]-key + -symbol:                   | Switch function: manual override (hand/auto)  |

Table 02 Control panel functions

### 6.1.3 Combined key functions (in operating mode only)

When the boiler is in the operating mode, keys with the illuminated symbols above have a double function (Program and Switch).

To use them for a Program function press the key once - and for a Switch function (either on or off) press the key and hold for 2 secs.

The status of the switch function will be confirmed by the illuminated symbol as follows:

**'>>>'-key and -symbol:**

- (symbol) not illuminated: HTG under normal control
- red (symbol) on: HTG off (manual override)

**'←'-key and -symbol:**

- (symbol) not illuminated: DHW under normal control
- red (symbol) on: DHW off (manual override)

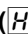


**[+]-key and -symbol:**

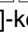

- green (symbol) on: continuous pump operation
- (symbol) not illuminated: pump under boiler control

**[-]-key and -symbol:**

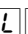


- green (symbol) on: HTG on (manual override)
- (symbol) not illuminated: HTG under normal control



**NOTE:** In the Switch function, (in order to protect the boiler and the installation) the flow temperature cannot exceed its pre-set maximum. It is also not possible to change any parameters.

**Forced mode 'high' (  **)

By pressing the '' and [+]-key simultaneously in operating mode, the boiler will burn at maximum power. The letter  will now appear on the display.


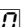












By pressing the [+ ] and [-]-keys simultaneously, the boiler will return to operating mode. Following a manual override the boiler will return to normal (auto control) if no keys are used within a 15 minute period

**Forced mode 'low' (  **)


By pressing the '' and [-]-key simultaneously in operating mode, the boiler will burn at minimum power. The letter  will now appear on the display. By pressing the [+ ] and [-]-keys simultaneously, the boiler will return to operating mode. Following a manual override the boiler will return to normal (auto control) if no keys are used within a 15 minute period.

**6.1.4 Display of values with more than two digits**

The display has only two digits available therefore values over this are displayed as follows :

- negative values will be indicated by a dot behind the last digit e.g.   = -10
- values from 00 to 99 will be indicated without any punctuation marks
- values from 100 to 199 will be indicated by a dot between both digits e.g.   = 100,   = 110,   = 199.
- values from 200 to 299 will be indicated by a dot behind every digit e.g.   = for 200,   = 210,   = 299.

## 6.2 Flow diagram control system

|   |  |   |
|---|--|---|
| press the '△'-key                               | press the '▶▶▶'-key                                  |   |
|   | 'code'-display                                       |  display |
| Operating mode,<br>see Par. 6.3                 | only digit or letter                                 |   |
|   | <b>0</b> - <b>9</b> , <b>H</b> , <b>L</b> , <b>b</b> | Flow temperature or shut-off code   |
| Setting mode,<br>user level,<br>see Par. 6.5    | digit or letter with<br>dot                          |   |
|   | <b>1.</b>  | Flow temperature set point  |
|   | <b>2.</b>  | Pump run on time HTG  |
|   | <b>3.</b>  | DHW temperature set point   |
|   | <b>R.</b>  | Boiler control setting  |
|   | <b>u.</b>  | n/a   |
| Setting mode,<br>service level,<br>see Par. 6.6 | <b>service engineer level only:</b>                  |   |
|   | <b>4.</b>  | Flow temperature set point during forced part load  |
|   | <b>5.</b>  | High limit temperature set point  |
|   | <b>6.</b>  | Fan speed at full load (HTG)  |
|   | <b>7.</b>  | Fan speed at part load (HTG and DHW)  |
|   | <b>8.</b>  | Modulation start point $\Delta t$ (F/R)   |
|   | <b>9.</b>  | Interface selection (control option)  |
|   | <b>b.</b>  | DHW cut-in $\Delta t$   |
|   | <b>c.</b>  | Fan speed at full load (DHW)  |
|   | <b>d.</b>  | intern  |



|                             |                                   |  |
|-----------------------------|-----------------------------------|--|
|                             | <b>E</b>                          | n/a  |
|                             | <b>F</b>                          | n/a  |
|                             | <b>G</b>                          | Forced part load time after start (HTG)  |
|                             | <b>H</b>                          | Fan speed at start   |
|                             | <b>I</b>                          | DHW control stop or boiler modulation set point (based on parameter <b>3</b> ) |
|                             | <b>J</b>                          | DHW control mode   |
|                             | <b>L</b>                          | n/a  |
|                             | <b>n</b>                          | HTG cut in $\Delta t$ (based on return)  |
|                             | <b>o</b>                          | n/a  |
|                             | <b>P</b>                          | Boiler type  |
|                             | <b>t</b>                          | intern   |
|                             | <b>U</b>                          | Maximum delay time   |
|                             | <b>9</b>                          | Start point for 0 Volt analog signal   |
|                             | <b>y</b>                          | End point for 10 Volt analog signal  |
|                             | <b>!!</b>                         | intern   |
|                             |                                   |  |
| Read-out mode, see Par. 6.7 | digit or letter with flashing dot |  |
|                             | <b>1</b>                          | Actual flow temperature  |
|                             | <b>2</b>                          | Actual return temperature  |
|                             | <b>3</b>                          | Actual DHW temperature (with sensor)   |
|                             | <b>4</b>                          | Actual outdoor temperature (with Chronotherm sensor)                           |
|                             | <b>5</b>                          | n/a  |
|                             | <b>6</b>                          | Flow temperature (set point)   |
|                             | <b>7</b>                          | Actual heat demand status  |
|                             | <b>8</b>                          | Calculated HTG cut-in temperature  |
|                             | <b>9</b>                          | Actual flow temperature rise   |
|                             | <b>R</b>                          | n/a  |





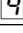
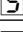
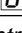








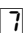


|                                     |   |                                   |
|-------------------------------------|---|-----------------------------------|
| <b>service engineer level only:</b> |   |                                   |
| Speed mode,<br>see Par. 6.8         | alternate half<br>digit  | Fan speed                         |
| Failure mode,<br>see Par. 6.9       | flashing digit  |                                   |
|                                     |                          | Failure code                      |
|                                     |                          | Operating code during failure     |
|                                     |                          | Flow temperature during failure   |
|                                     |                          | Return temperature during failure |
|                                     |                          | DHW temperature during failure    |
|                                     |                          | n/a                               |

Table 03 Flow diagram control system

### 6.3 Operating mode (

During operation the code-display shows the status (position in cycle) of the boiler, whilst the -display indicates the actual flow temperature.

The digits or letters in the code-display have the following meaning:

| Code  | Description  |
|---|--|
|    | Standby: there is no heat demand from control system.  |
|  | Pre-purge: before start-up, the boiler is purged for 4.2 seconds.<br>Post-purge: when the heat demand has been met, the fan continues to operate for another 10 seconds. |
|  | Ignition: ignition is activated for 2.4 seconds while the gas valve is opened.   |
|  | HTG mode: the boiler operates in the HTG mode.   |
|  | DHW mode: the three way valve or DHW pump activated (Broag priority only)  |
|  | Internal check   |
|  | Normal control stop during HTG (flow temperature > set point + 5 °C)   |
|  | HTG pump run on  |
|  | DHW pump run on or for three way valve option, HTG pump run on with valve open to DHW (max. 5 minutes)   |
|  | Normal control stop during DHW (flow temperature > set point DHW + DHW control stop set point + 5°C)   |

|          |                   |
|----------|-------------------|
| <b>b</b> | Shut-off mode     |
| <b>H</b> | Forced full load. |
| <b>L</b> | Forced part load. |

Table 04 Operating codes

#### 6.4 Shut-off mode (**b X X**)


During shut-off mode condition the code-display will show a **b**, whilst the -display indicates the cause with two flashing dots.

Table below details cause of shut-off mode.


| Code         | Description   |
|--------------|---|
| <b>b 2 5</b> | Maximum acceptable flow temperature rise exceeded. The boiler will shut off for ten minutes, then restart. Should the flow temperature conditions remain the same after 5 attempts, this code will be recorded as a shut-down failure. Boiler will not lockout.   |
| <b>b 2 6</b> | Contacts of the external interlock have opened during heat demand. The boiler will shut off for 120 seconds. Should the contacts close again during heat demand, the boiler will wait the remaining time from the 120 seconds before attempting a restart.  |
| <b>b 2 8</b> | Internal check on fan speed. After 5 attempts, the boiler will lockout. This code will be recorded.   |
| <b>b 2 9</b> | Internal check on fan speed. After 5 attempts, the boiler will lockout. This code will be recorded.   |
| <b>b 3 0</b> | Maximum temperature difference between flow and return exceeded. The boiler will shut off for 150 seconds, then restart. Should the temperature difference conditions remain the same after 10 attempts, this code will be recorded as a shut-down failure. Boiler will not lockout.  |
| <b>b 4 3</b> | One or several adjusted parameters out of range including some factory defaults which should not have been changed. Check and reset parameters: <ul style="list-style-type: none"> <li>- press the 'reset'-key immediately followed by pressing the -key for about 12 sec.,</li> <li>- 'code'- display shows <b>P</b>,</li> <li>- use <b>[+]</b> and <b>[-]</b>-keys to enter correct boiler parameter ( <b>P</b>=<b>8 0</b> ),</li> <li>- press <b>←</b>-key to confirm settings,</li> <li>- check parameter settings and change were needed or desired.</li> </ul> |

Table 05 Shut-off codes

**NOTE:** Shut-off mode is a normal boiler operating function and does not represent a boiler failure.

However, this may indicate a system problem, an internal boiler check or an incorrect parameter setting.

## 6.5 Setting mode user level (X□□)

| Code | Description                            | Setting range                         | Preset |
|------|--|---------------------------------------|--------|
| 1    | Flow temperature set point             | 20-90 °C                              | 80     |
| 2    | Pump run on time HTG                   | 00 = pump run on 10 seconds           | 03     |
|      |  | 01-15 = pump run on in minutes        |        |
| 3    | DHW temperature set point              | 20-75 °C (only with sensor)           | 55     |
| R1   | Boiler control setting                 | Control mode (modulating-on/off etc.) | 11     |
| u    | Base point internal compensation slope | n/a                                   | 20     |

Table 06 Setting mode user level

**Note:** Changing code 2 and code R1 should only be on design engineers advice.

### 6.5.1 Flow temperature set point (1)

The required flow temperature is adjustable from 20 to 90°C (factory default 80°C).

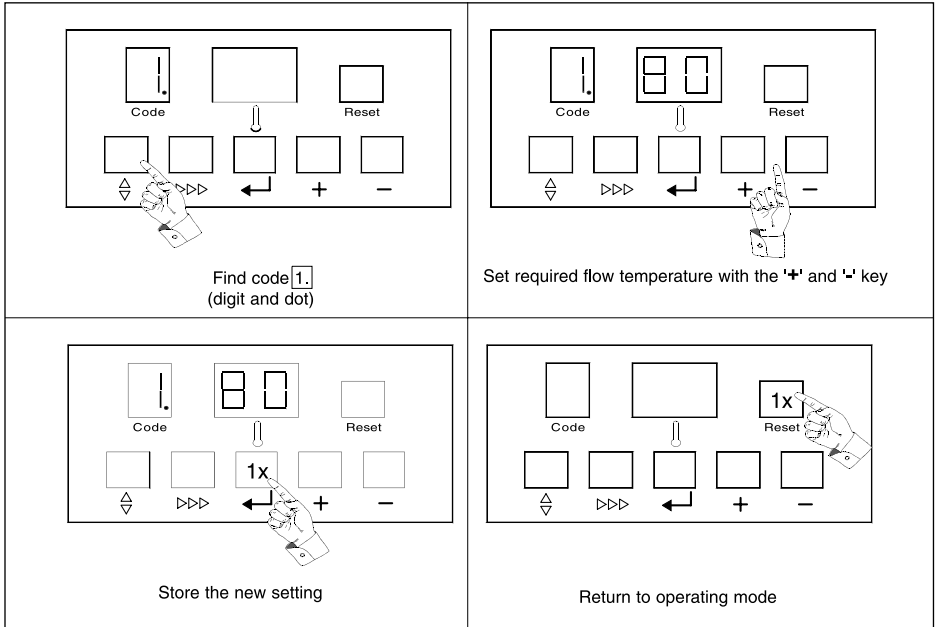


Fig. 04 Typical setting change procedure

pdf

### 6.5.2 Pump run on time HTG (2)

Pump run on time can be adjusted (Please refer to installation contractor)

- Press the '1.'-key until the digit 1 (with dot) appears in the 'code'-display.
- Press the '>>>'-key until the digit 2 (with dot) appears in the 'code'-display.
- Set the required value, using the [+ ] and [-]-keys.
- Press the '←'-key to store the new value (value will flash twice).
- Press the 'reset'-key to return to operating mode.

**NOTE:** For continuous pump operation use manual override, see Par. 6.1.3.

| Code | Ⓜ  | Description                                      |
|------|----|--|
| 2    | 00 | Pump runs on for 10 seconds                      |
| 2    | XX | Pump runs on for 1 to 15 minutes (XX = 01 to 15) |

Table 07 Pump run on time HTG

### 6.5.3 DHW temperature set point (3)

The DHW temperature is adjustable from 20 to 75°C (factory default 55°C). Only with Broag DHW priority sensor.

- Press the '⬆️' -key until the digit 1 (with dot) appears in the 'code'-display.
- Press the '▶▶▶' -key until the digit 3 (with dot) appears in the 'code'-display.
- Set the required value, using the [+] and [-]-keys.
- Press the '⬅️' -key to store the new value (value will flash twice).
- Press the 'reset'-key to return to operating mode.

**REMARK:** there are further adjustments available on service level. Please refer to your service engineer or contractor (see Par. 6.6.7).

### 6.5.4 Boiler control setting (R)

The boiler is factory set to option 11 (HTG modulating or on/off with DHW on)

To change the control option:

- Press the '⬆️' -key until the digit 1 (with dot) appears in the 'code'-display.
- Press the '▶▶▶' -key until the digit R (with dot) appears in the 'code'-display.
- Set the required X and Y values as listed below in using the [+] and [-]-keys.
- Press the '⬅️' -key to store the new value (value will flash twice).
- Press the 'reset'-key to return to operating mode

With the 'code'- display showing R - the Ⓜ️-display will indicate the method of boiler control in the first segment X and the option to turn the HTG and DHW on or off in the second segment Y. By using codes from the table below a series of control options are available

Example : XY

- 11 - Boiler enabled internal modulation with booster on \* - HTG and DHW on (as default)
- 42 - Analog signal 0 -10V on temperature - HTG on and DHW off
- 23 - Boiler high/low - HTG off and DHW on

| Ⓜ️-display      | Description   |
|-----------------|---|
| First segment X | Boiler control option                                 |
| 1               | Boiler enabled internal modulation with booster on *  |
| 2               | Boiler high/low                                       |
| 3               | Boiler enabled internal modulation with booster off * |
| 4               | Analog signal 0 -10 V on temperature                  |
| 5               | Analog signal 0 -10 V on output %                     |

| -display   | Description        |
|--|--------------------|
| Second segment <input type="checkbox"/> <b>Y</b> | Operation mode     |
| <input type="checkbox"/> <b>0</b>                | HTG and DHW off    |
| <input type="checkbox"/> <b>1</b>                | HTG and DHW on     |
| <input type="checkbox"/> <b>2</b>                | HTG on and DHW off |
| <input type="checkbox"/> <b>3</b>                | HTG off and DHW on |

Table 08 Boiler control option

\* **NOTE:** Booster function n/a in UK

### 6.6 Setting mode service level ( )

(only for the qualified service engineer with product knowledge)

To prevent accidental, unauthorised access by non-qualified persons the control system requires an input code to gain access to the second level of boiler control.

- Press the '' - and '>>>'-keys simultaneously and hold. The 'code'-display now shows a letter  with a random number in the -display.
- While holding both keys pressed, set the -display to   , using the [+ ] or [- ]-keys and press the ''-key.
- The display will flash twice confirming acceptance of the access code.
- Release the keys and    will dissappear from the display. You are now in the service mode

**WARNING:** changing factory defaults without reference to the tables contained in this manual may result in incorrect operation.

- To delete the service code press the '**reset**'-key once
- If no keys are pressed over a 15 minute period the service code will delete automatically

| Code                              | Description  | Setting range   | Preset  |
|-----------------------------------|--|---|---|
| <input type="checkbox"/> <b>4</b> | Flow temperature set point during forced part load | <input type="checkbox"/> <input type="checkbox"/> <input type="checkbox"/> - <input type="checkbox"/> <input type="checkbox"/> <input type="checkbox"/> °C        | <input type="checkbox"/> <input type="checkbox"/> <input type="checkbox"/>            |
| <input type="checkbox"/> <b>5</b> | High limit temperature set point                   | <input type="checkbox"/> <input type="checkbox"/> <input type="checkbox"/> - <input type="checkbox"/> <input type="checkbox"/> <input type="checkbox"/> (= 110°C) | <input type="checkbox"/> <input type="checkbox"/> <input type="checkbox"/><br>(=100)* |
| <input type="checkbox"/> <b>6</b> | Fan speed at full load (HTG)                       | <input type="checkbox"/> <input type="checkbox"/> <input type="checkbox"/> - <input type="checkbox"/> <input type="checkbox"/> <input type="checkbox"/> hundreds  | <input type="checkbox"/> <input type="checkbox"/> <input type="checkbox"/>            |
| <input type="checkbox"/> <b>7</b> | Fan speed at part load (HTG and DHW)               | <input type="checkbox"/> <input type="checkbox"/> <input type="checkbox"/> - <input type="checkbox"/> <input type="checkbox"/> <input type="checkbox"/> hundreds  | <input type="checkbox"/> <input type="checkbox"/> <input type="checkbox"/>            |

|           |  |  |               |
|-----------|--|--|---------------|
| <b>8.</b> | Modulation start point $\Delta t$ (F/R)  | 05 - 30 °C   | 25            |
| <b>9.</b> | Interface selection (control option)   | 00 internal (Chronotherm control only)   | 01            |
|           |  | 01 external interface  |               |
| <b>b.</b> | DHW cut-in $\Delta t$  | 10 - 05 read 1 - 5 °C<br>06 read 10 °C<br>07 read 15 °C<br>08 read 20 °C   | 05            |
| <b>c.</b> | Fan speed at full load (DHW)   | 10 - 70 hundreds   | 62            |
| <b>d.</b> | Intern   | May not be changed!  | 00            |
| <b>e.</b> | N/a  |  | 00<br>(=100)* |
| <b>f.</b> | N/a  |  | 20            |
| <b>g.</b> | Forced part load time after start (HTG)  | 00 - 15 minutes  | 03            |
| <b>h.</b> | Fan speed at start   | May not be changed!  | 20            |
| <b>i.</b> | DHW control stop or boiler modulation set point (based on parameter <b>3</b> ) | 00 - 30 °C   | 20            |
| <b>j.</b> | DHW control option   | 00 = Three way valve (port A = HTG, port B = DHW)<br>01 = DHW pump<br>02 = inverted three way valve (port A = DHW, port B = HTG) | 01            |
| <b>l.</b> | Variable speed pump  | n/a  | 03            |
| <b>n.</b> | HTG cut in $\Delta t$  | 10 (= -10°C) - 20 °C   | 03            |
| <b>o.</b> | N/a  |  | 10            |
| <b>p.</b> | Boiler type  | May not be changed!  | 84            |
| <b>t.</b> | Intern   | May not be changed!  | 01            |
| <b>u.</b> | Maximum delay time   | 00 - 99 minutes  | 15            |



|    |                                      |                    |               |
|----|--------------------------------------|--------------------|---------------|
| 9  | Start point for 0 Volt analog signal | 50 (= -50) – 50 °C | 00            |
| 4  | End point for 10 Volt analog signal  | 50 – 99 (=299) °C  | 00<br>(=100)* |
| !! | Intern                               |                    | 10            |

Table 09 Settings service level

**\*NOTE:** see Par. 6.1.4 for values over two digits

### 6.6.1 Flow temperature set point during forced part load (4)

Adjustable from 20 to 90°C, factory default 79°C

This value will prevent the flow temperature exceeding this temperature during the part load time.

### 6.6.2 High limit thermostat (5)

Adjustable from 90 to 110°C (10), factory default 100°C (00).

This value sets the high limit temperature at which the boiler will shut down in a lock out condition requiring manual intervention.

**Note:** this parameter will have an effect on the minimum flow rate requirement, see Par. 7.4.7.

### 6.6.3 Fan speed at full load HTG (6)

Adjustable from 18% to 100% output (= approx. 1200 to 5300 rpm), factory default 62 (100%). This value sets the maximum output of the boiler.

### 6.6.4 Fan speed at part load (HTG and DHW - 7)

Adjustable from 18% to 100% output (= approx. 1200 to 5300 rpm), factory default 12 (18% output). This value sets the minimum output of the boiler.

### 6.6.5 Starting point modulation (8)

Adjustable from 5 to 30°C, factory default 25°C.

This value sets the flow/return  $\Delta t$  point at which the control modulation begins. If the  $\Delta t$  continues to rise, at 40°C the boiler will be at minimum output (parameter 7), at 30°C the boiler will shut off (**code** 630, see Par. 6.4).

The factory default should be correct for most installations. Changing this value should only be carried out on advice from the service engineer. Don't change the factory default for the minimum output (parameter 7), in cases of minimal flow.

**NOTE:** Installations with low flow problems would benefit by reducing this set point to force modulation to begin sooner and minimise boiler off time.

### 6.6.6 Interface selection (9)

Adjustable 00 or 01, factory default 01

This value sets the control option.

01 for standard 0 -10 Volt external control and **rematic**<sup>®</sup> series of compensators (if fitted).

00 for the Honeywell Chronotherm option.

### 6.6.7 DHW cut-in temperature (b)

Adjustable from 01 to 20 °C (8 steps, see Table 09), factory default 5°C (05).

#### DHW demand:

With sensor:

- The DHW demand is satisfied when the DHW temperature equals the DHW set point temp (parameter 3) + 5°C.
- The DHW cut-in temperature sets the  $\Delta t$  below this end point for DHW demand.

Cut-in temperature = DHW set point (55) + 5 - parameter b (5)

i.e.  $55 + 5 - 5 = 55^\circ\text{C}$ .

With thermostat or **rematic**<sup>®</sup> control: the thermostat or **rematic**<sup>®</sup> control determines the DHW demand.

Boiler modulation during continuing DHW demand

Sensor, thermostat and **rematic**<sup>®</sup> control:

- The boiler will modulate when the flow temp equals the DHW set point + DHW control stop set point (parameter i) i.e.  $55+20 = 75$ .
- The boiler carries out a control stop at a flow temp of  $80^\circ\text{C}$  (modulation point +  $5^\circ\text{C}$ ), the display initially shows 999, reducing to 975.
- The DHW cut-in temperature sets the  $\Delta t$  below this control stop.

Cut-in temperature = DHW set point (55) + DHW control stop set point (parameter i) + 5 - parameter b (5)

i.e.  $55 + 20 + 5 - 5 = 75$

### 6.6.8 Fan Speed at DHW full load (c)

Adjustable from 18% to 100% output (= approx. 1200 to 5300 rpm), factory default 53 (100%). This value sets the maximum output of the boiler.

**Parameters d - E - and F are factory set and must not be changed**

### 6.6.9 Forced part load time after start (HTG only - l)

Adjustable from 00 - 15 min., factory default 03 (3 minutes). This value sets the period of time the boiler will stay on part load at start up during which time the flow temp is limited by part load temp set point (parameter 4) Changing the factory default should only be carried out on advice from the service engineer.

**NOTE:** When using an external analog (0 -10 V) or 2 wire modulation input, the factory default 03 should be changed to 00.

Parameter **H** factory set must not be changed

#### 6.6.10 DHW control stop set point (**I**)

Adjustable from **00** - **30** °C factory default 20°C.

Refer to Par. 6.6.7.

#### 6.6.11 DHW control option (**J**)

Three options **00** - **01** - **02** factory default **00**.

This value sets the DHW control option.

**00** Three way diverting valve (port A - HTG and Port B - DHW)

**01** DHW pump

**02** Inverted three way diverting valve (port B - HTG and Port A - DHW)

Parameter **L** not applicable

#### 6.6.12 HTG cut in temp (**N**)

Adjustable **10** (-10) to **20** °C, factory default **03**.

This value sets the  $\Delta t$  below actual return temp at the moment of control stop during HTG demand. A control stop occurs when the flow temp equals the flow temp set point + 5°C. HTG cut in temperature = actual return temperature at the moment of control stop (e.g. 60) - parameter **N** (3)

ie 60 - 3 = 57°C If this takes longer than the maximum delay time (parameter **U**), the boiler will restart (unless flow temperature exceeds flow temperature setpoint).

Parameter **Q** not applicable

#### 6.6.13 Boiler type (**P**)

Factory default **00** must not be changed.

Parameter **E** factory set must not be changed.

#### 6.6.14 Maximum delay time (**U**)

Adjustable from **00** - **99** minutes, factory default 15 minutes (**15**).

This value sets the maximum off time following a control stop. The minimum off time is preset to a fixed value (150 sec.). A combination of both values is used to prevent hunting taking place.

#### 6.6.15 Start and end point analog signal (**Q** and **Y**)

Start point (0 Volt): adjustable between **50** (-50)°C and +**50** °C, factory default **00** °C. This value sets the required flow temp at 0 Volt signal input (restricted by the min flow set point).

End point (10 Volt): adjustable between +**5 1**°C and **9 9** (+299)°C, factory default **0 0** (100)°C.

This value sets the required flow temp at 10 Volt signal input (restricted by the max flow set point).

**NOTE:** These settings are only applicable when boiler control operation parameter (**R**) has the **X** value set to **4**.

### 6.7 Read-out mode (**X 0 0**)

To check boiler set points and values.

Using the '⬆'-key, press repeatedly until **!** (flashing dot) appears in the 'code'-display. Then select the required code **2**, **3** or **4** etc. using the '▶▶'-key.

| Code     | Description   | Read-out (example)                             |
|----------|---|--|
| <b>1</b> | Actual flow temperature                                 | <b>8 0</b>                                     |
| <b>2</b> | Actual return temperature                               | <b>7 0</b>                                     |
| <b>3</b> | Actual DHW temperature (only with sensor connected)     | <b>5 8</b>                                     |
| <b>4</b> | Actual outdoor temperature (only with sensor connected) | <b>0 5</b>                                     |
| <b>5</b> | n/a   | <b>3 7</b>                                     |
| <b>6</b> | Flow temperature (set point)                            | <b>8 0</b>                                     |
| <b>7</b> | Actual heat demand status                               | <b>1 X</b> = demand;<br><b>0 X</b> = no demand |
| <b>8</b> | Calculated HTG cut-in temperature                       | <b>6 7</b>                                     |
| <b>9</b> | Actual flow temperature rise [0.1 °C/sec]               | <b>0 2</b>                                     |
| <b>R</b> | n/a   |  |

Table 10 Read-out mode user level

### 6.8 Fan speed mode (**1 0 0**)

Using the '⬆'-key, press repeatedly until 'code'-display shows alternate flashing half digits. The value in the **!**-display shows the actual fan speed using two alternate double digits as table:

| Code | Description | Example 5250 r/m |
|------|-------------|------------------|
| [1]  | Fan speed   | [5][2] hundreds  |
| [1]  | Fan speed   | [5][0] units     |

Table 11 Fan speed mode service level

### 6.9 Failure mode (X 0 0)

To check the latest failure with the accompanying operating codes and relevant temperatures.

Using the '⬆' -key, press repeatedly until [1] (flashing digit) appears in the 'code'-display.

Then select the required **code** [2], [3] or [4] etc. using the '▶▶▶'-key and read off the relevant value.


| Code |  | Description                             |
|------|---|---|
| [1]  | [3][7]  | Display of failure code (see Par. 10.2) |
| [2]  | [0][3]  | Operating mode during failure           |
| [3]  | [5][3]  | Flow temperature during failure         |
| [4]  | [4][0]  | Return temperature during failure       |
| [5]  | [6][0]  | DHW temperature during failure          |
| [6]  | [3][7]  | n/a                                     |

Table 12 Failure mode on service level

Example as above:

Failure code [3][7] indicates the return temperature sensor failed during HTG operation ([0][3]), at a flow temperature of 53°C, a return temperature of 40°C and DHW temperature of 60°C.

## 7 INSTALLATION INSTRUCTIONS

### 7.1 General

The complete installation must comply with the current editions of relevant British Standards and codes of practice, including the latest local and national regulations for this type of equipment.

All gas appliances must, by law, be installed by a competent qualified engineer registered with CORGI and holding the relevant qualifications and certificates (for example ACOPS and IEE regs.)

### Important:

The Remeha Quinta 85 is a CE certified appliance and must not therefore be modified or installed in any way contrary to these "Installation and Maintenance Instructions". These manufacturer's Instructions must NOT be taken as overriding statutory obligations. Failure to install this appliance correctly could result in an unsafe condition which can lead to prosecution. It is your own interest and that of safety to ensure that the law is complied with.

### 7.2 Location

The remeha Quinta 85 is primarily designed for wall mounting (on the bracket supplied). The wall should be flat, vertically plumb and capable of supporting the full weight of the boiler full of water. An optional floor frame can be used for a free standing installation or where the wall cannot carry the weight. The following minimum clearances are required:

- Front: 600 mm
- Sides: 25 mm
- Bottom: 250 mm
- Top: 400 mm.

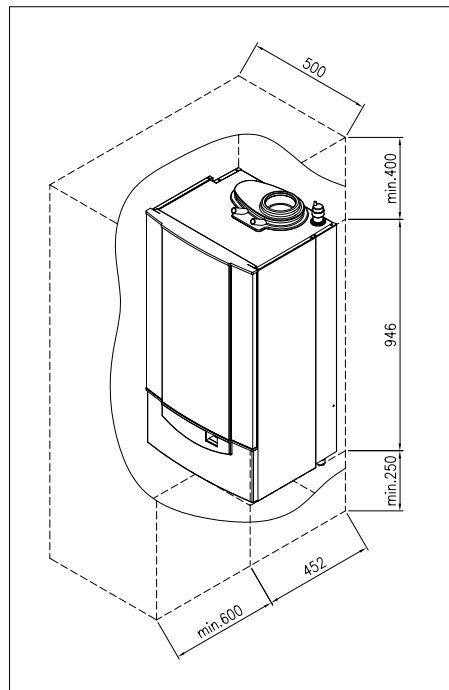


Fig. 05 Minimum clearances around the boiler

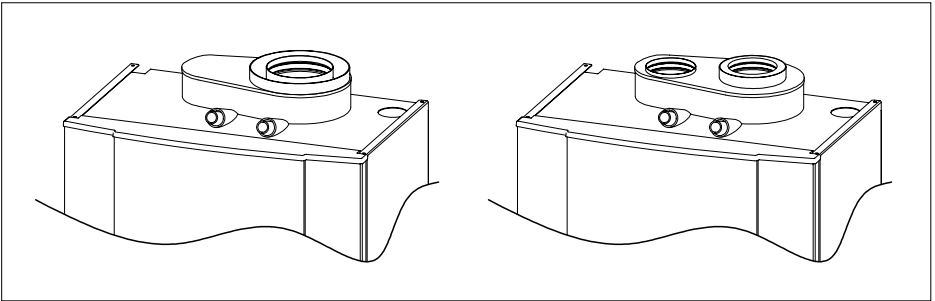
05.W4H.79.00026

### 7.3 Flue gas discharge and air supply

#### 7.3.1 General

The Remeha Quinta 85 is suitable for conventional room ventilated or room sealed operation. Specify at the time of ordering if the boiler is to be installed for twin pipe room sealed operation. In that case, the boiler will be supplied with an optional adaptor plate (concentric to twin pipe).

Before installing flue system, remove the transit cover plate/s.



*Fig. 06 Top view Remeha Quinta (standard concentric version with optional twin pipe adaptor shown right)*

05.W4H.79.00006 + 00.W4H.79.00012

Horizontal components in the flue gas discharge system should slope towards the boiler.

Horizontal components in the air supply system should slope towards the supply opening.

Care should be taken when siting flue exit positions as a vapour plume will be visible when the boiler is operational (flue gas temperature will be less than 75°C resulting in the water vapour condensing out on contact with the air).

### 7.3.2 Classification due to discharging flue gases

Classification according to CE:

**Type B23:**

Conventional room ventilated boiler without draft diverter. Air supply from boiler room: flue gas discharge on roof.

**Type C13:**

Room sealed boiler, connected to combined wall outlet.

**Type C33:**

Room sealed boiler, connected to a combined roof outlet.

**Type C43:**

Room sealed boiler in cascade configuration, connected via two ducts to a common duct system serving more than one boiler.

**Type C53:**

Room sealed boiler, connected to separate ducts for the air supply and flue gas discharge, terminated in zones of different pressure.

**Type C63:**

Room sealed boiler, supplied without the terminal or the air supply and flue gas discharge ducts.

**Type C83:**

Room sealed boiler, connected via two ducts to a common duct system serving more than one boiler. (flue gas discharge always under pressure)

**Conventional open flue installation:**

Combustion air for the boiler must be provided to the room/compartiment in accordance with the British Standards.

For maximum flue length, see *table in Par. 7.3.4.*

**Room sealed installations:**

It is unnecessary to provide separate combustion air to the room/compartiment as this is supplied direct to the boiler via the concentric or eccentric system and the room sealed horizontal or vertical terminal unit.

Additional ventilation will be required to the room/compartiment in accordance with the British Standards (compartment ventilation).

For maximum flue/air inlet length, see *table in Par. 7.3.5.*

For installations where supply and discharge points are in two different pressure zones (eccentric only), please contact Broag Technical Dept. for further details and advice. See also *Par. 7.3.6.*

**NOTE:** the boilers can be installed on a flue dilution system, but must have a total flue break to avoid boiler controls being affected by the flue dilution fan pressures. For full details please contact Broag.



### 7.3.3 Material and installation

#### Flue gas discharge:

Rigid single walled: stainless steel (316), aluminium or plastic (to comply with building regulations).

Flexible: stainless steel (316).

Construction: all joints and seams should be gastight and watertight with the horizontal runs graded towards the boiler to allow condensate free drainage to the boiler.

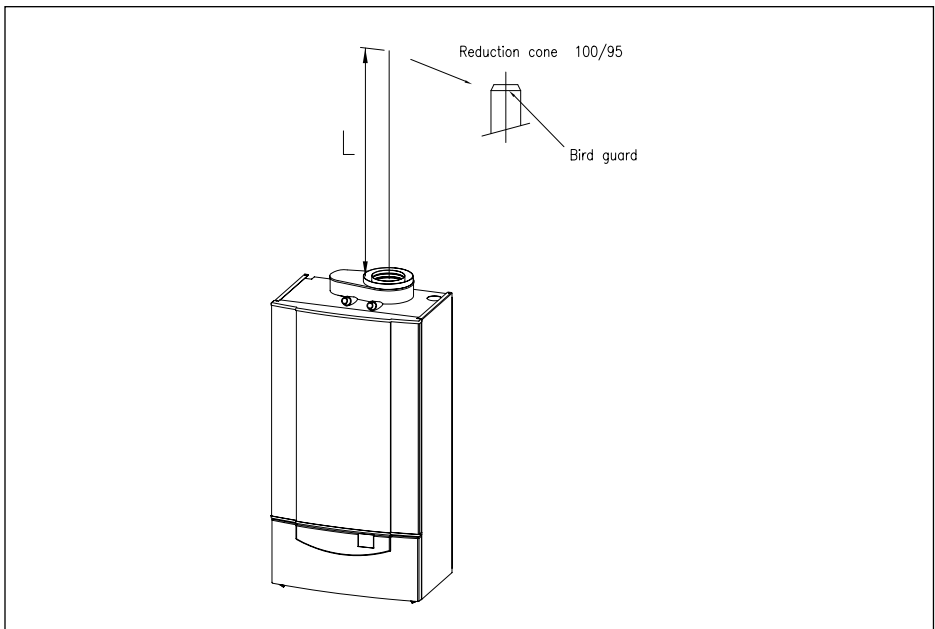
Horizontal lengths in excess of 2M should incorporate a condensate drain.

The flue outlet should terminate with reduction cone and bird guard only (chinamans hat or GLC type terminals etc. should not be used). Use vertical flue terminal MG 87973 for classification C33 and use horizontal flue terminal MG 87996 for classification C13 (concentric room sealed). Flue material for classification C6 must comply EN 483 annex N and must always be in draft condition.

#### Air supply:

Single walled, rigid or flexible: aluminium, stainless steel and plastic (to comply with building regulations).

### 7.3.4 Single boiler conventional flue



**Fig. 07** Flue gas discharge duct without bends, single boiler, conventional flue.

04.W4H.79.00002

|                     |   | Quinta 85 |
|---------------------|---|-----------|
|                     |   | 100 mm    |
| maximum Length L    | m | 24        |
| eq. Length bend 45° | m | 1.4       |
| eq. Length bend 90° | m | 4.9       |

Table 13 Calculation data conventional flue

**Example:** Quinta 85, total length 15 m, 2 bends 45°.  $15\text{ m} + 2 \times 1.4 = 17.8 < 24$ : **flue OK**.

**Note:** If the design parameters are outside the values shown in the above table or there is any doubt over the flue system, please contact our technical department for calculation to be undertaken.

### 7.3.5 Single boiler, room sealed flue

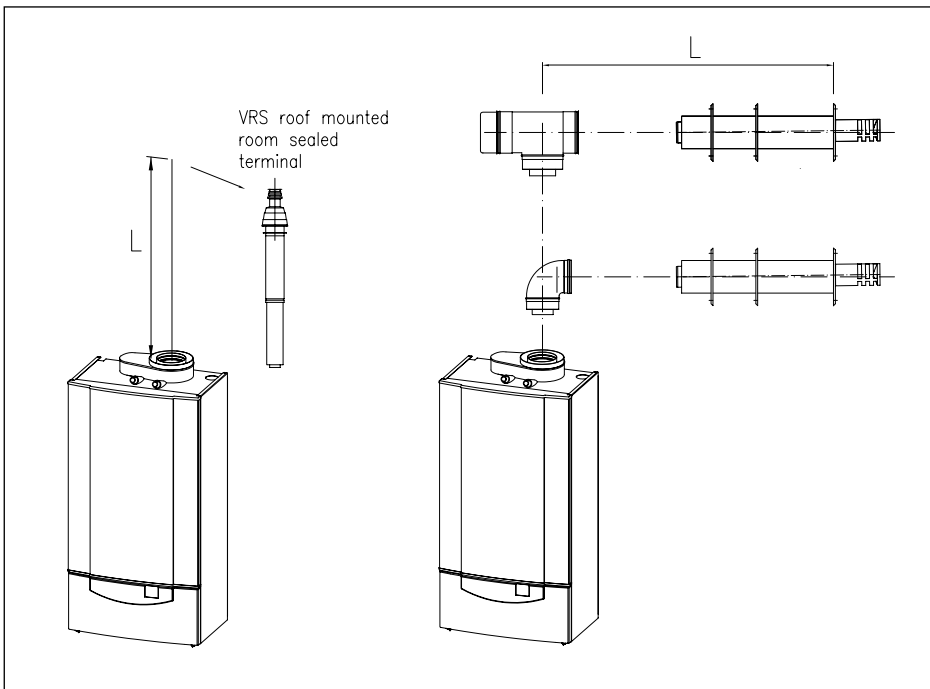


Fig. 08 Flue gas discharge duct without bends, single boiler, room sealed application.

|                     |   | Quinta 85<br>100/150 mm |
|---------------------|---|-------------------------|
| maximum Length L    | m | 13                      |
| eq. Length bend 45° | m | 1                       |
| eq. Length bend 90° | m | 2                       |

Table 14 Calculation data room sealed applications

**Example:** Quinta 85, total length 3 m, 2 bends 45°.  $3\text{ m} + 2 \times 1 = 5\text{ m} < 13\text{ m}$ : **flue OK.**

**Note:** If the design parameters are outside the values shown in the above table or there is any doubt over the flue system, please contact our technical department for calculation to be undertaken.

### 7.3.6 Different pressure zones

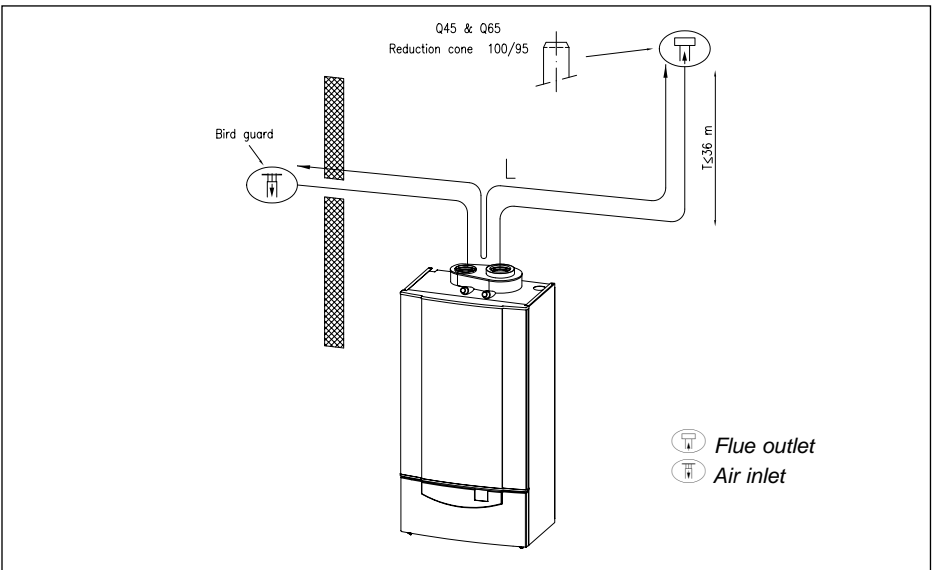


Fig. 09 Different pressure zones

04.W4H.79.00004

The Remeha Quinta boiler (twin connection only) is capable of operating with the air inlet and flue outlet in different pressure zones (CLV System). There are some restrictions to the flue/air inlet lengths and max height differences which have been detailed in *Fig. 09*.

Maximum total length of air inlet and flue gas outlet pipework (L) as detailed in table below (calculation based on using 1 x 90° bend).

|                     |   | <b>Quinta 85</b><br>110 mm |
|---------------------|---|----------------------------|
| maximum Length L    | m | 22                         |
| eq. Length bend 45° | m | 1.5                        |
| eq. Length bend 90° | m | 5.4                        |

*Table 15 Calculation data different pressure zones*

**NOTE:** this system may not be used in areas with adverse wind conditions (i.e. in some coastal regions).

**NOTE:** If the design parameters are outside the values shown in the above table or there is any doubt over the flue system, please contact our technical department for calculation to be undertaken.

### 7.3.7 Modular installations

For flue gas-side and air-side connections for multiple boilers in cascade configuration, refer to Broag for advice.

## 7.4 Hydraulic installation

### 7.4.1 Condensate and AAV discharge

Discharge the condensate and AAV relief via a tundish, directly into a drain. Only use synthetic material for the connecting piping, because of the acidity (pH 2 - 5) and allow a min. of 30 mm per M to ensure a good flow rate. Fill the siphon with clean water before firing the boiler. It is not advisable to discharge into an outside gutter, because of the risk of freezing.

#### 7.4.2 Water treatment

The system should be filled with mains cold water (for the UK this will usually have a pH of between 7 and 8).

Pressurised installations with a boiler/system content ratio of 1:10 or less should not require water treatment, provided that the following conditions apply:

- The system is flushed thoroughly to remove all fluxes and debris and filled completely once.
- Make up water is limited to 5% per annum.
- The hardness of the water does not exceed 360 ppm (20°D).

All scale deposits will reduce the efficiency of the boiler and should be prevented. However provided the above is complied with any scale produced will not be too detrimental to the boiler efficiency and will not reduce the anticipated life expectancy of the boiler.

**NOTE:** Scale deposits in excess of 5 mm will reduce boiler efficiency and increase the risk of premature casting failure.

As most systems contain a variety of metals, it is considered good practice to provide some form of water treatment (especially in open vented systems) in order to prevent or reduce the following:

- Metallic corrosion
- Formation of scale and sludge
- Microbiological contamination
- Chemical changes in the untreated system water

Suitable chemicals and their use should be discussed with a specialist water treatment company prior to carrying out any work (environmental aspects, health aspects).

The specification of the system and manufacturers recommendations must be taken into account, along with the age and condition of the system. New systems should be flushed thoroughly to remove all traces of flux, debris, grease and metal swarf generated during installation. Care to be taken with old systems to ensure any black metallic iron oxide sludge and other corrosive residues are removed, again by thoroughly flushing, ensuring that the system is drained completely from all low points.

**NOTE:** Please ensure that the new boiler plant is not in circuit when the flushing takes place, especially if cleansing chemicals are used to assist the process.

**IMPORTANT:** Under no circumstances is the boiler to be operated with cleaning chemicals in the system.

**To Summarise:**

- Minimise water loss
- Prevent pumping over in open vented systems
- Provide adequate air venting at all high points
- Maximum chlorine content of 200 mg/l

Take advice on the suitability of inhibitors for use with aluminium

**MAX pH of 8.5 when using additives (max. pH of 9 without additives)**

If water treatment is used, we recommend the following products:

|                             |     |                                   |
|-----------------------------|-----|-----------------------------------|
| 'Copal®' manufactured by:   | or: | Sentinal 'X100®' manufactured by: |
| Fernox, Cookson Electronics |     | BetzDearborn Ltd                  |
| Forsyth Road                |     | Sentinal                          |
| Sheerwater                  |     | Foundry Lane                      |
| Woking                      |     | Widnes                            |
| Surrey GU21 5RZ             |     | Cheshire WA8 8UD                  |
| Tel No: 01483 793200        |     | Tel No: 0151 424 5351             |
| Fax No: 01483 793201        |     | Fax No: 0151 420 5447             |
| Email: sales@fernox.com     |     |                                   |
| Web site: www.fernox.com    |     |                                   |

For the correct dosage and for further information on water treatment or system cleaning we advise direct contact with either of the above companies.

**7.4.3 Cold feed and expansion tank height for open vented systems**

We recommend the boiler is installed on a closed (pressurised) system wherever possible with a minimum operating pressure of 0.8 bar. However, open vented systems can be accommodated as follows: The cold feed and expansion tank heights for all open vented systems must comply with the requirements laid down in the Health and Safety Executive publication (latest execution).

The Remeha Quinta series boilers require a minimum static head of 3 m.

**7.4.4 Safety valve**

A safety valve should be fitted in accordance with the British Standards. Recommended minimum size of 15 mm (full bore type).

#### 7.4.5 Gas connection

Connect the boiler to the incoming gas in accordance with the requirements of the Gas supply company. Install the main gas cock near the boiler. The gas connection is located at the bottom of the boiler. Fit a gas filter in the gas supply piping to avoid debris in the gas control unit.

**NOTE:** The boiler is suitable for both natural gas and propane firing. It is supplied as standard set for natural gas. For propane firing, see our included "Assembly instructions Propane set" .

#### 7.4.6 System pump

The boiler must be installed on a fully pumped system.

#### 7.4.7 Waterflow

The Quinta series of boilers have no minimum water flow requirement provided the factory default modulation start point (parameter  $\boxed{8}$ ) is not raised and the following conditions are met:

- the two wire modulating controls are used,
- on a pressurised system with the high limit temperature set to flow temperature set point + 20.

### 7.5 DHW production

The Remeha Quinta 85 is supplied as standard with an inbuilt DHW control. This control, when used in conjunction with the optional Broag DHW sensor or thermostat (not a Broag supply), a 3-way diverting valve\* or DHW pump, can provide boosted primary flow temperature independent of the variable temperature flow for the fully condensing mode. However it can be independantly time controlled and will isolate the HTG system during the demand period.

\* **Note:** Because of the boiler water resistance (140 mbar at 20°C  $\Delta$ t) we advise you to use a DHW pump for DHW production instead of the 3-way valve.

On demand of the DHW sensor or thermostat and depending on parameter  $\boxed{J}$  (reference: Par. 6.6.11), the boiler powers the DHW pump and turns off the HTG or boiler pump.

The boiler flow temperature is boosted to the DHW set point + DHW control stop set point (see Par. 6.6.7 and 6.6.10). When the DHW sensor or thermostat is satisfied the boiler turns off. The control turns off the DHW pump and turns on the system pump (provided there was still a HTG demand. If no HTG demand, the selected pump will run on for a maximum of 5 minutes).

A Broag high output indirect calorifier can be connected to the Remeha Quinta 85 in accordance with the schematic sketch shown (see Fig. 10).

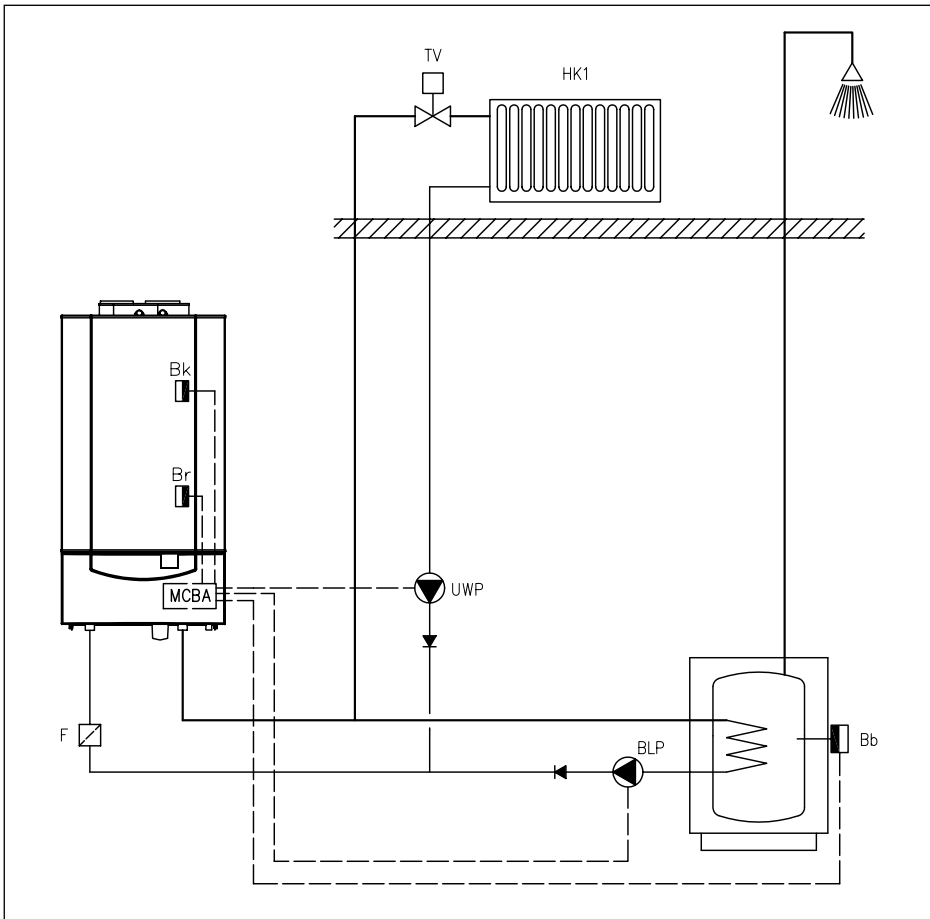


Fig. 10 Remeha Quinta with calorifier and DHW pump

04.W4H.HS.00002

### Flow and return header installation

A flow and return header installation is shown in Fig. 11. The separated hydraulic groups have system pumps, controlled by a **rematic**<sup>®</sup>-controller for example. The controller monitors the conditions from each group and varies the heat output to suit the demand. Because of the modulating boiler operation it runs most efficient. In this type of installation you can use the heat output for DHW production and HTG at the same time. For further installation examples please ask Broag for the booklet; "Suggested schematics with power and control wiring details".



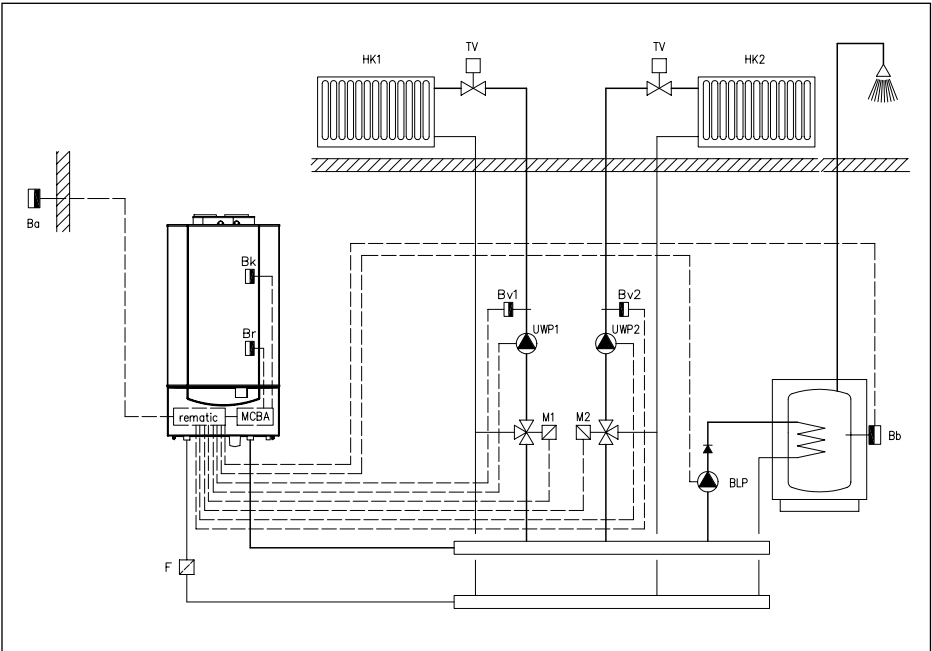


Fig. 11 A flow and return header installation with **rematic**<sup>®</sup> -controller  
pdf

## 8 ELECTRICAL INSTALLATION

### 8.1 General

The Remeha Quinta 85 is supplied as standard with electronic control and flame ionisation safety controls with a specially designed microprocessor at the heart of the control system.

### 8.2 Specifications

#### 8.2.1 Electrical supply

The Remeha Quinta 85 must have a permanent 230V-50Hz single phase supply rated at 6.3 Amps. The control unit is not phase / neutral sensitive.

#### 8.2.2 Control box

|                    |                     |
|--------------------|---------------------|
| Manufacture:       | Gasmodul            |
| Model:             | MCBA 1461 D         |
| Supply voltage:    | 230 V/50 Hz         |
| Electrical rating: | 10 VA               |
| Pre-purge time:    | 4.2 seconds         |
| Post-purge time:   | 10 seconds          |
| Safety time:       | 4.2 seconds maximum |
| Anti-hunting time: | 150 seconds         |
| Pump run on (HTG): | 1 - 15 minutes      |
| Pump run on (DHW): | 5 minutes           |

#### 8.2.3 Fuse specification

The boiler is protected by fuses:

- on the main power supply located in the euro connector socket rated at 6.3 amps (slow acting). Spare fuse is supplied - located in the euro connector socket
- control circuit 230 Volt - located on the Gasmodul control box, ref. F1 rated at 2 amps (fast acting)
- control circuit 24 Volt dc- located on the Gasmodul control box, ref. F2 rated at 3.15 amps (slow acting)

Spare fuses are supplied - located on the Gasmodul control box cover.

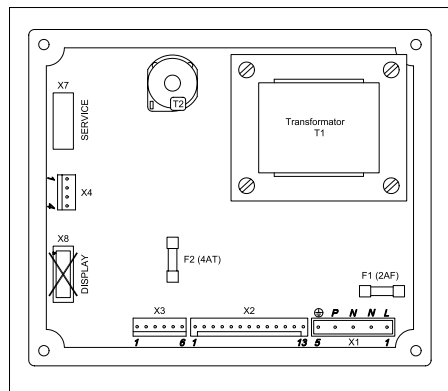


Fig. 12 Gasmodul control box  
00.W4H.79.00018

**NOTE:** Do not use connector X8!

### 8.2.4 Boiler temperature control

The Remeha Quinta 85 has electronic temperature control with flow and return temperature sensors. The flow temperature can be adjusted between 20 and 90°C.

### 8.2.5 High limit temperature protection

The high limit temperature protection device switches off and locks out the boiler when the flow temperature exceeds the high limit set point (adjustable). When the fault is corrected, the boiler can be restarted by using the **'reset'**-key on the control panel.

### 8.2.6 Low-water protection (flow and content)

The Remeha Quinta 85 is supplied with a low-water protection on the basis of temperature measurement, see Fig. 22, *Boiler sensor resistance/temp graph*. By modulating back at the moment that the water flow threatens to fall too low, the boiler is kept operating for as long as possible. In the event of low flow ( $F/R \Delta t = 45^\circ\text{C}$ ), the boiler will shut off and not lockout (*ref. Par. 6.4*).

If the boiler is fired dry, it will go to high temperature lock out, failure code **1** **8**.

### 8.3 External connections

All external connections (except **rematic**® 2945 C3K) are made on the 24 way terminal strip, located in the instrument box at the bottom of the boiler, accessed by loosening the two screws, see Fig. 13 and Fig. 14.

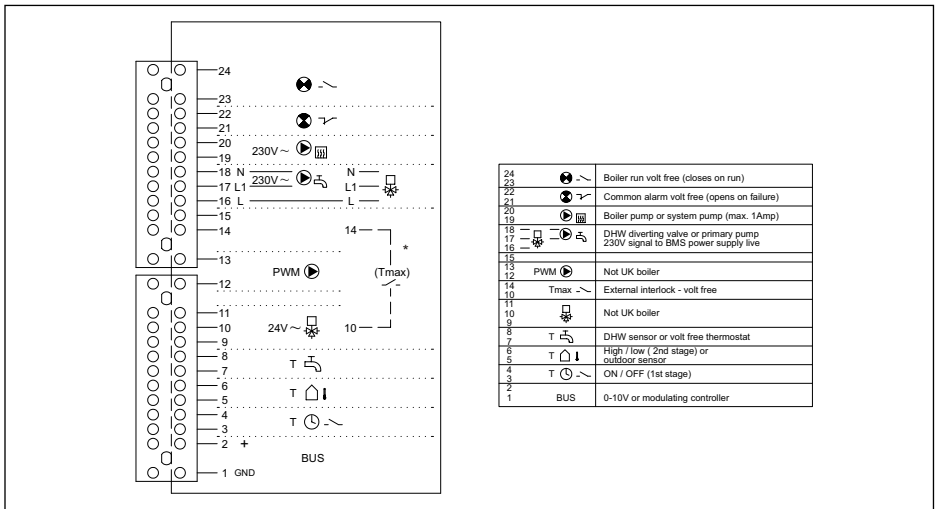


Fig. 13 Terminal strip Remeha Quinta 85

04.W4H.79.00009

\*) remove link to use, see Par. 8.8

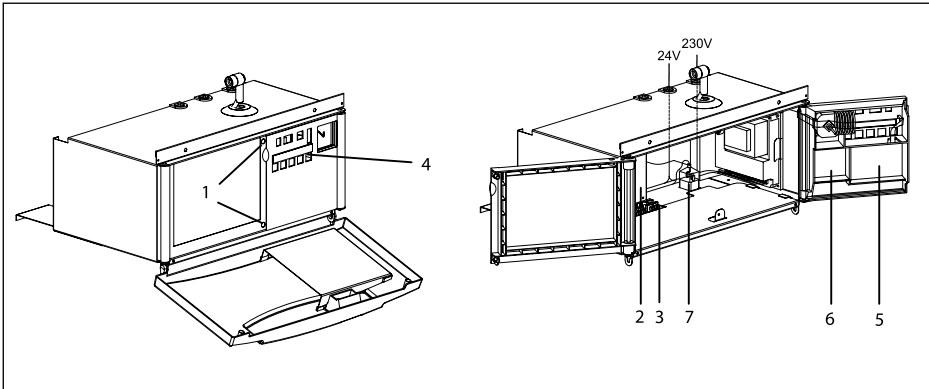


Fig. 14 Electronic components.

pdf

1. Screws instrument panel
2. Terminal strip
3. Cable clamp
4. Display
5. Interface for 0 -10 V control
6. Print for common alarm and boiler run indication
7. 230 V power supply

## 8.4 Boiler control

The Remeha Quinta 85 can be controlled using one of the following methods:

### 8.4.1 Modulating controls general (two wire control)

To make full use of the boiler's modulating feature, an **OpenTherm®** or a **rematic®** control can be connected. These controls will provide optimised time and weather compensation to achieve maximum efficiency and minimum boiler cycling whilst maintaining design condition within the building. An optional **OpenTherm®** or **rematic®** interface must be integrated in the boiler, (to fit see Fig. 16).

#### - **OpenTherm®**

Single boiler control, compensation based on room temperature, using the OpenTherm interface supplied as std. in the boiler.  
Available with 6 adjustable time periods.

- **Celcia 20** - An optimising/ weather-compensated boiler control for single boilers. This compensator can regulate the boiler output against outside weather conditions, and provide time and temperature control over the DHW. The compensator is mounted in a reference room (uses an internal sensor to monitor room temperature) and is interfaced to communicate with the boiler's controls via a two-core cable to terminals 1 and 2 of the 24-pole terminal strip. On site connection of the supplied outside and common flow sensors complete the installation. Change setting mode parameter  $\boxed{9}$  to  $\boxed{00}$ . Set the  $\boxed{X}$  value of the boiler control operation parameter ( $\boxed{R_1}$ ) to  $\boxed{1}$ .
  
- **2945 C3 K** - Optimising / weather-compensated boiler control for multiple boilers. These controls are supplied with outside sensor, room sensor, flow sensor (used for multiple boiler installation only) mounting and wiring kit for installation in the boiler, see Fig. 15. Communication between the Optimising / weather-compensated control and the boiler control system is via an interface PCB supplied with the kit (to fit see Fig. 16). Set the  $\boxed{X}$  value of the boiler control operation parameter ( $\boxed{R_1}$ ) to  $\boxed{1}$ .

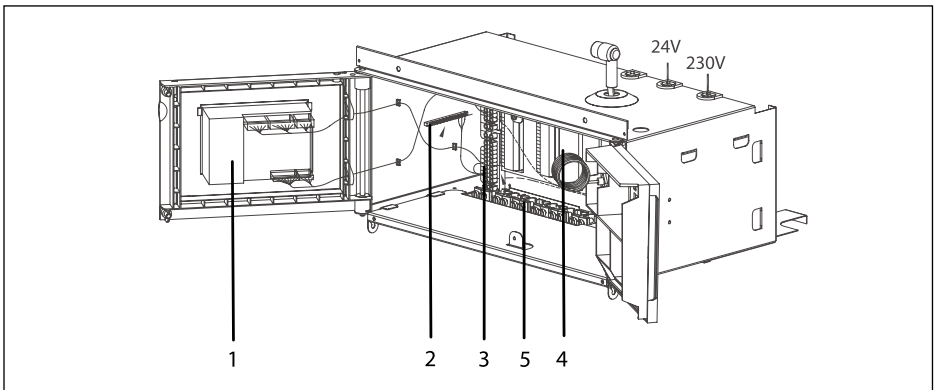


Fig. 15 Fitting 2945 C3 K controller

pdf

1. **rematic**<sup>®</sup> control
2. Earth terminal
3. Terminal strip
4. **rematic**<sup>®</sup> adapter
5. Cable clamp

**NOTE:** Please refer to the relevant control leaflet for optimising / compensation settings.

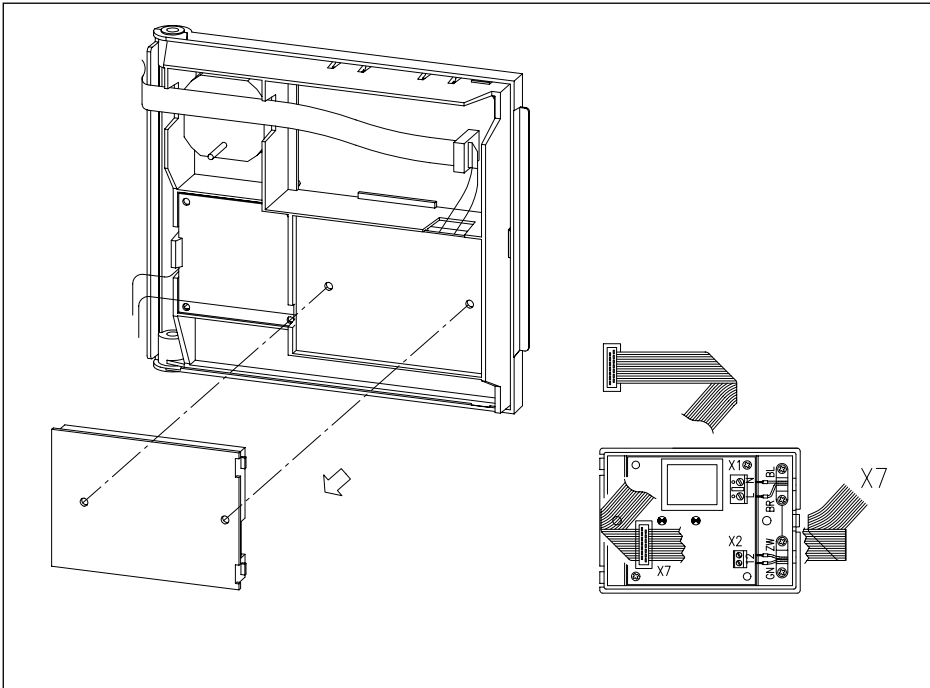


Fig. 16 Fitting the interface

05.W4H.79.00008

### 8.4.2 Analog control (0 -10 Volt dc)

The heat output modulates between the minimum and the maximum value on the basis of the voltage supplied by an external analog (0 -10V, volt free) input (terminal connections 1 (gnd) and 2 (+)).

- Temperature based (20 to 90°C) set the  $\boxed{X}$  value of the boiler control operation parameter ( $\boxed{R_1}$ ) to  $\boxed{4}$ .

To set the ratio between voltage and the desired flow temperature, see *Par. 6.6.15 and the graph below*.

- Output based - fixed parameters (18 to 100%), see *graph below*.

0 Volt = boiler off

0.5 - 1.8 Volt = heat input 18%

1.8 - 10 Volt = boiler modulates between 18 and 100% on demand

Set the  $\boxed{X}$  value of the boiler control operation parameter ( $\boxed{R_1}$ ) to  $\boxed{5}$ .

**NOTE:** When using an external analog (0 -10V), the factory default  $\boxed{0} \boxed{3}$  should be changed to  $\boxed{0} \boxed{0}$ .

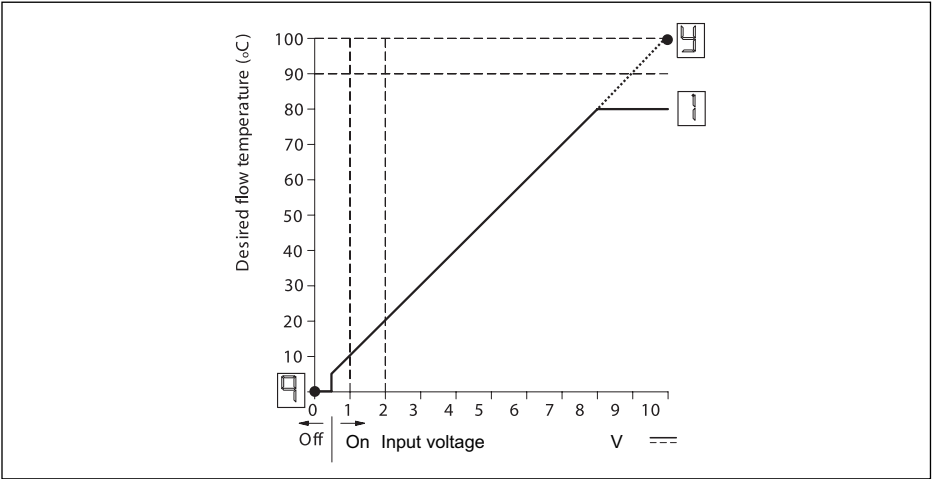


Fig. 17 Ratio between voltage and temperature

pdf

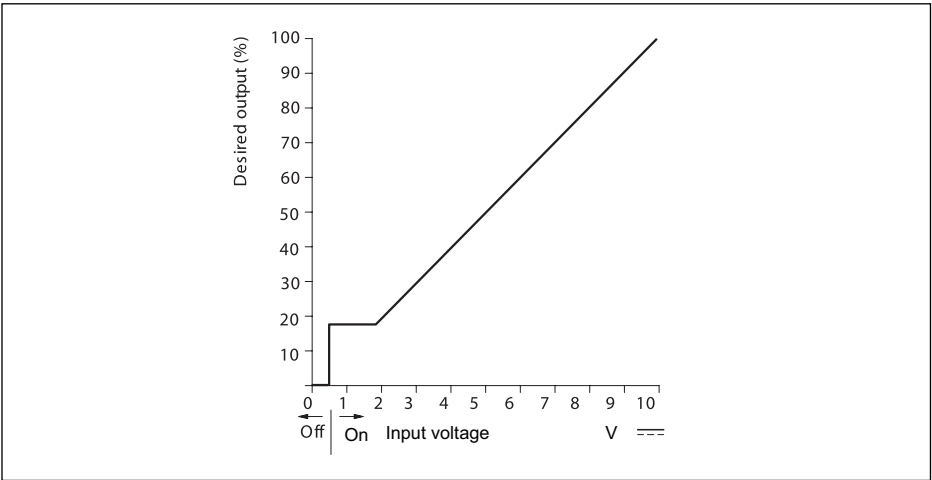


Fig. 18 Ratio between voltage and output

pdf

### 8.4.3 On / off control (1 x no volt switched pair)

The heat output modulates between the minimum and the maximum value based on the set flow temperature, terminal connections 3 and 4.

Set the  value of the boiler control operation parameter ( $R_1$ ) to .

#### 8.4.4 High / low control (2 x no volt switched pairs)

The heat output is controlled between part load (18%, adjustable) and full load, by means of a two-stage controller, terminal connections 3 and 4 low fire - 5 and 6 high fire.

Set the  value of the boiler control operation parameter () to .

### 8.5 DHW control (Broag priority)

#### 8.5.1 Temperature control

With a Remeha temperature sensor or with a standard (volt free) DHW thermostat connected to terminals 7 and 8.

If the cable from the boiler sensor or -thermostat exceeds 3 meters, we advise you to use our EMC-filter (Broag supply).

**NOTE:** boiler will only provide a setting and read out facility with the sensor option.

#### 8.5.2 Primary flow control

- With a three-way diverting valve - Set the DHW control option (parameter ) to  - connected to terminals 17 (230 V power open/spring returned) and 18.
- With a DHW pump - Set the DHW control option (parameter ) to  - connected to terminals 17 and 18 (230 V -50Hz, max 1 Amp). If the DHW pump requires more than 1 amp, terminals can only be used to switch a pump relay.

### 8.6 System pump

A system pump can be connected to terminals 19 and 20 (230 V - 50 Hz, max. 1 Amp). If the system pump requires more than 1 Amp, terminals can only be used to switch a pump relay.

### 8.7 Frost protection

Install the boiler in a frost-free room. If the boiler water temperature drops below 7°C, the built-in frost protection system is activated as follows:

- below 7°C: system pump is switched on if connected to boiler;
- below 3°C: boiler is switched on;
- when the flow temp reaches 10°C the boiler and pump switch off

**Attention:** this function only works for the boiler, not for the installation!

### 8.8 Remote alarm and boiler run indication

As standard the boiler is supplied with 2 x volt free indicators.

- Common alarm signal connect to terminals 21 and 22. Contact closed, opens on lock out and power loss.
- Boiler run signal connect to terminals 23 and 24. Contact open, closes on boiler run.

Maximum 230 Volts, 1 amp capacity each.



### 8.9 Safety interlock

As standard the boiler is supplied with an interlock carrying a 24 Volt boiler control circuit. To use first remove the fitted wire link (on RH side of terminal block between 10 and 14).

Any external devices required to stop the boiler should then be wired in series and connected to terminals 10 and 14.

If the contacts of the external interlock have opened during heat demand, the boiler will shut off for 120 seconds (shut-off code **b25**). Should the contacts close again during heat demand, the boiler will wait the remaining time from the 120 seconds before attempting a restart.

## 9 COMMISSIONING

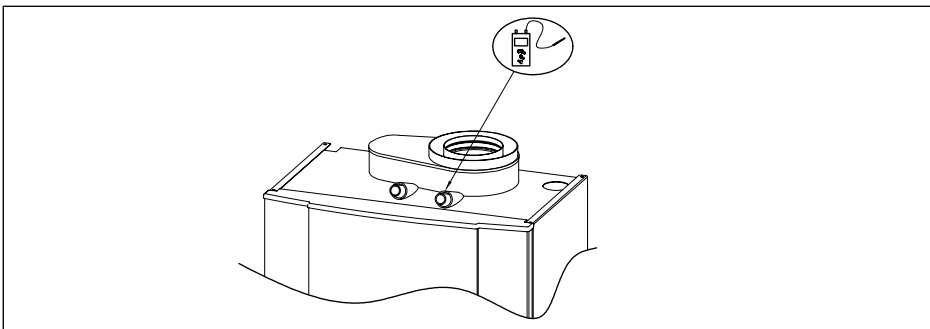
**NOTE:** Engineer to carryout pre-commissioning checks to ensure that the installation complies with current regulations

Initial lighting

1. Isolate main power supply.
2. Lower the grey instrument panel cover towards you release two retaining screws and open instrument panel doors
3. Unscrew and remove the 2 screws securing the front panel and lift off
4. Confirm that the gas supply is available, sound and has been vented by others
5. Check that the electrical connections match the control options (*see Par. 8.2*).
6. Open the cap of the automatic air vent to ensure boiler is vented.
7. Check boiler and installation is full of water vented and at the correct pressure.
8. Fill the siphon trap with clean water.
9. When tightening the siphon cup, ensure that the connection to the heat X is not disturbed
10. Close the instrument box.
11. Check the flue and the combustion air supply connections.


**NOTE:** The boiler is suitable for both natural gas and propane It is supplied as standard set for natural gas, therefore the following procedure must be carried out BEFORE the boiler is fired and commissioned on propane. Fit the propane restrictor and adjust the boiler parameters in accordance with the instructions supplied with the propane conversion kit (*also see Table 16*).

12. Open the gas cock.
13. Connect + side of digital manometer to test point on inlet gas valve (*see Fig. 20*) to test for max/min inlet pressure i.e.,  
max 30mbar static, 17mbar min working
14. Connect flue gas analyser to test point (*see Fig. 19*)

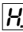
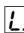


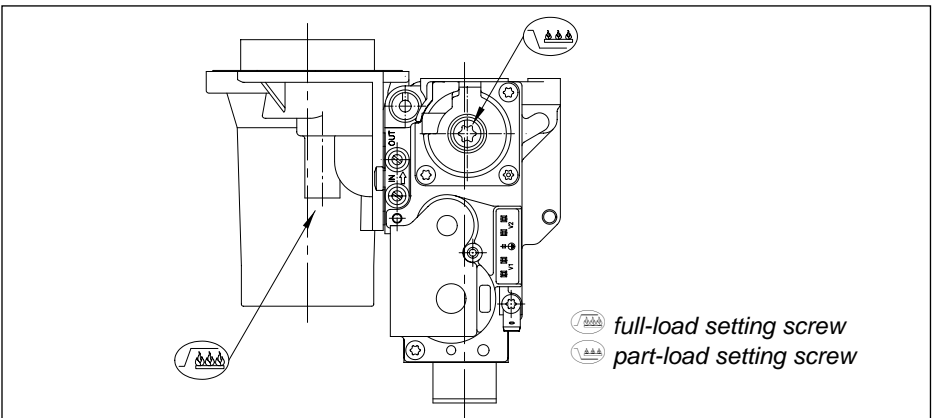
**Fig. 19** Flue gas measure point.

05.W4H.79.00004

15. Re-establish power supply to boiler and isolate controls.
16. Use manual override to start the boiler (press and hold for 5 seconds[-]-key (green LED should appear in -symbol)
17. The boiler should start with the run sequence (3) indicated in the 'code'-display, see Par. 6.3.
18. Check the boiler for correct gas/air setup in full load by measuring the O<sub>2</sub> levels in the flue gas (direct measurement of CO<sub>2</sub> can lead to inaccuracies due to varying levels of CO<sub>2</sub> in the natural gas). Proceed as follows:

### Correct gas/air setup:

- 18 a. Force the boiler into high fire by pressing '⬆' and [+]-keys simultaneously. The code box will show and  in the display
- 18 b. When full load speed is reached check values against *Table 16* (setting data) and adjust if necessary using the screw on the venturi, turning screw anti clockwise will increase CO<sub>2</sub>, turning screw clockwise will decrease CO<sub>2</sub>, (see *Fig. 20*)
- 18 c. Check flame via inspection window, the flame should be stable, mainly blue with burner surface covered with orange dots.
- 18 d. Force the boiler into low fire by pressing the ⬆ and [-]-keys simultaneously. The code box will show an  in the display; please see *Par. 6.1.3*.  
When part load speed is reached, check values against *Table 16* and adjust if necessary using the screw on gas combi block, (adjustment screw is protected by a cover - both cover and adjustment screw are torx star type keys) turning screw clockwise will increase CO<sub>2</sub>, turning screw anti clockwise will decrease CO<sub>2</sub>, (see *Fig. 20*) Check flame via inspection window, the flame should be stable, with a regular blue flame distribution and orange burner surface



**Fig. 20** Setting screws

00.W4H.79.00005

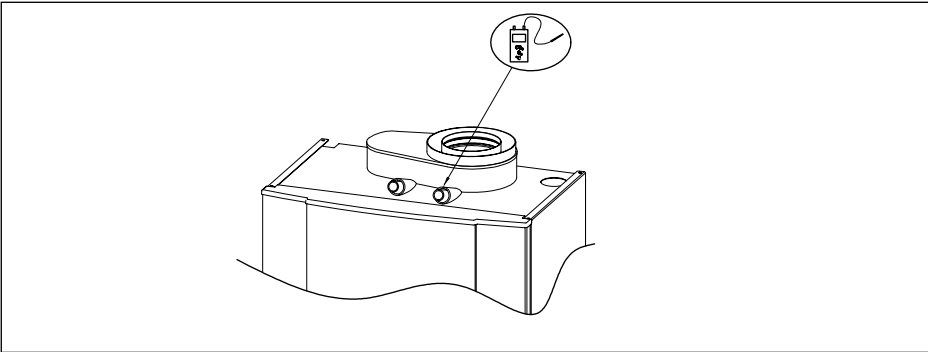


Fig. 21 Flue gas measure point.

05.W4H.79.00004


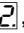
| Boiler model | Gas type                                    | Fan speed (approx. rpm) |           | O <sub>2</sub> | CO <sub>2</sub> |
|--------------|---|-------------------------|-----------|----------------|-----------------|
|              |   | full load               | part load | %              | %               |
| Quinta 85    | Natural gas                                 | 6250                    | 1250      | 3.4<br>+/- 0.1 | 9.5<br>+/- 0.1  |
|              | Propane<br>(with propane restrictor fitted) | 6100                    | 1250      | 4.8<br>+/- 0.1 | 10.6<br>+/- 0.1 |

Table 16 Setting data natural gas and propane (with open air case)

**NOTE:** When checking combustion the CO<sub>2</sub> levels should be in accordance with the Table 16 +/- 0.3%. If the levels are outside these tolerances adjustment to the levels must be made in accordance with the tolerance in Table 16 (+/- 0.1%)

18 e. Check ionisation level on full and part load, measurement in volts between terminal 4 and earth max 9 volts min 4 volts DC, see Fig. 23 (measurement is linear 1V dc = 1µA dc).

**NOTE:** The full load adjustment changes the gas/air graph slope angle, whilst the part load adjustment shifts the base point on a parallel axis; each adjustment therefore alters the previous setting slightly. Repeat the process 18 a. to 18 e. and re-check the values as many times as necessary until they fall into values as in Table 16.

19. Remove flue gas analyser and seal test point; also remove manometer and re-tighten test nipple and test for soundness.
20. Simulate a lock out condition by turning off gas cock, the boiler will attempt to fire 4 times, on the 5<sup>th</sup> attempt the boiler will lock out on flashing  , see *Table 18*; *lock out codes*. Re-set the boiler using the reset key.
21. Re-fit boiler front panel and close grey panel
22. Allow boiler to run up to its set flow temperature, see *Par. 6.5.1* and shut off
23. When pumps have stopped, check water pressure is correct
24. The boiler is now ready for use
25. Check system controls
26. Set system controls to required values

Complete commissioning sheet, recording boiler serial No and site details and return copy to Broag for record purposes

**NOTE:** The Remeha Quinta 85 is supplied with a number of factory default settings which should be correct for most installations. If other setting values are required refer to *Par. 6.5 and 6.6*.

## **9.1 Shut-down**

### **9.1.1 Temporary shut-down with frost protection**

- Do not isolate the electric power supply.
- Do not close the gas cock.
- Use the switch function, see *Par. 6.1.3*.


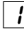
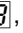
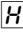
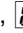
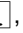
### **9.1.2 Permanent shut-down without frost protection**

- Set system controls to off.
- Isolate the electric power supply.
- Close the gas cock.

## 10 FAULT-FINDING

## 10.1 General (all installations)

Check the following, in sequence (by service engineer):

| Step | Signs  | Check points   | Actions  |
|------|--|--|--|
| 1    | Boiler display is blank.   | The mains voltage 230 V  | Replace fuse if necessary, but check what circuit it was protecting and rectify if faulty.               |
|      |  | The fuse in the euro-connector   |  |
|      |  | The control box fuses  |  |
| 2    | Boiler display shows a fault code  | For flashing digits  | If yes, follow instructions in the table, <i>ref. Par. 10.2.</i>   |
| 3    | Boiler display shows operating code<br>(see Par. 6.3)  |  (no heat demand)   | Go to point 4.   |
|      |  |  to  ,  ,  ,  | try to find the cause of the fault, using operating mode shown.  |
| 4    | Use boiler manual override.<br>(see Par. 6.1.3)  | Does the boiler start up?  | Yes, check external control and wiring, or go to point 6.  |
|      |  |  | No, go to point 5.   |
| 5    | Override external controls by fitting a link across terminals 3 and 4 of the boiler terminal strip | Does the boiler start up?  | Yes, check boiler parameters. If all OK, then replace control box. No, repeat point 3, or go to point 6. |

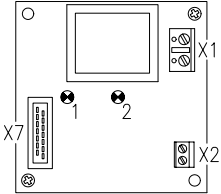

|   |   |   |  |
|---|---|---|--|
| 6 | <p>Only with <b>rematic</b><sup>®</sup> SR 5240 C1 or 2945 C3 K control: Check the communication between control and boiler by means of the two LED's on the interface, visible through the transparent part of the control panel.</p>  <p>00.W4H.79.00019</p> | LED 1 is not flashing?  | Interface or control box is faulty                 |
|   |   | LED 2 is not flashing?  | Interface or control is faulty                     |
|   |   | Both LED's are flashing?<br>Check the wiring on the terminal strip and on the control box | If the wiring is correct, replace the control box. |
| 7 | Investigate boiler settings and wiring  | Check the parameter settings of the boiler  | If all is correct, replace the control box.        |
|   |   | Check the wiring on the boiler terminal strip and to the Gasmodul control box             |  |

Table 17 Fault-finding



## 10.2 Fault codes

In the event of an error message, both the 'code'-display and the -display will flash. For details, see Table 18.

For a readout of the most recent faults, see Par. 6.9.

### IMPORTANT:

Before resetting, accurately record the fault code (including figures, flashing digits and dots) and remember to pass on this information when seeking assistance. The fault code is important for correctly and rapidly tracing the nature of the fault.

**NOTE:** Shut-off mode (code , only dots in -display are flashing, not digits) is a normal boiler operating function and does not represent a boiler failure. However, this may indicate a system problem, an internal fan check or an incorrect parameter setting.

| Code | Description  | Cause/check points and remedy   |
|------|--|---|
| 00   | Flame simulation   | <ul style="list-style-type: none"> <li>- Gas valve shuts but burner surface continues to glow due to incorrect combustion.</li> <li>- Gas valve off but leaking on shut-down - burner flame continuing.</li> </ul>  |
| 01   | Short circuit 24V  | Check wiring.   |
| 02   | <p>No flame or no ionisation (after 5 start attempts)</p> <p><b>Note:</b><br/>Ionisation measurement in Volts between terminal 4 and earth, see Fig. 22 (1V dc <math>\equiv</math> 1<math>\mu</math> A dc)</p> | <p>a. <b>No ignition spark, check:</b></p> <ul style="list-style-type: none"> <li>- connection of ignition cable and spark plug cap</li> <li>- ignition cable and electrode for insulation breakdown</li> <li>- electrode gap; must be 3-4 mm</li> <li>- earth continuity</li> </ul> <p>b. <b>Ignition spark, but no flame, check if:</b></p> <ul style="list-style-type: none"> <li>- gas cock is open</li> <li>- inlet gas pressure is sufficient</li> <li>- gas pipe is vented (special attention for LPG use)</li> <li>- gas valve is energised during ignition and also opens</li> <li>- electrode is fitted properly, is clean and set</li> <li>- the gas/air ratio is correct (see Par. 0)</li> <li>- the gas pipe is not clogged or incorrectly sized</li> <li>- the air supply and flue outlet is free of obstructions</li> <li>- if the condensate siphon is clear</li> <li>- there is no flue gas recirculation (internal/external)</li> </ul> <p>c. <b>Flame, but no or insufficient (&lt;4<math>\mu</math>A) ionisation,</b><br/>Visual check of flame:</p> <ul style="list-style-type: none"> <li>- is flame core visible?</li> <li>- is flame geometry stable?</li> <li>- check CO<sub>2</sub> at both part and full flame</li> <li>- check ignition probe earthing</li> <li>- check temperature sensors for loss current (humidity on sensors)</li> <li>- is analog control (0 - 10 V) volt free?</li> </ul> <p>Visual check of ignition/ionisation probes:</p> <ul style="list-style-type: none"> <li>- if white oxydes show, use sand paper or screwdriver for cleansing</li> <li>- check geometry and distance between both probes, i.e. 3 to 4 mm.</li> </ul> |
| 04   |  | Voltage failure after lock out condition – original lock out cause will not be displayed – check read out table for additional fault code, ref. Par. 6.9.   |
| 05   | External influence   | <ul style="list-style-type: none"> <li>- power or control supply affected by external EMC</li> <li>- check for EMC conformity</li> </ul>  |



|             |   |   |
|-------------|---|---|
| 08          | Setting failure                                   | - check parameter $\square$ (second digit must be 0)  |
| 11          | Failure of internal communication bus             | - short circuit in flat cable: replace flat cable<br>- water/condensation on display<br>- possibly external EMC contamination   |
| 18          | Flow temperature too high                         | Check:<br>- the waterflow, <i>ref. Par. 7.4.7.</i><br>- system for trapped air<br>- sensors for resistance at set temperature, <i>see graph in Fig. 21.</i><br>- if the boiler is full of water (min. pressure 0.8 bar) |
| 19          | Return temperature too high                       |   |
| 24          | Return temp > flow temp                           | - Flow sensor badly installed<br>- Pump operating in wrong direction or flow and return connections crossed   |
| 28          | Fan not running                                   | - Fan or motor failed<br>- Supply and/or signal control cable – poor connections or failed.   |
| 29          | Fan runs continuously or speed signal not correct | - Check control cable connections and for continuity<br>- Fan defective<br>- Flue draft conditions too high   |
| 31          | Temperature sensor failure                        | Flow temperature sensor short circuit   |
| 32          |   | Return temperature sensor short short circuit   |
| 34          |   | Outside temperature sensor short short circuit  |
| 36          |   | Flow temperature sensor not connected or open circuit   |
| 37          |   | Return temperature sensor not connected or open circuit   |
| 40          | Setting failure                                   | check parameter $\square$ (first digit must be 0)   |
| 77          | Ionisation failure during boiler operation        | After 4 restarts during 1 heat demand<br>- flue gas recirculation (internal/external)<br>- insufficient air flow – check fan or air inlet/flue outlet for obstruction<br>- incorrect combustion.                        |
| Other Codes | Control box failure                               | - Press the 'reset'-key<br>- When fault returns, check wiring for short circuits<br>- When faults still return, replace the control box<br>Shut-off codes, <i>see Par. 6.4.</i>   |

Table 18 Faultcodes

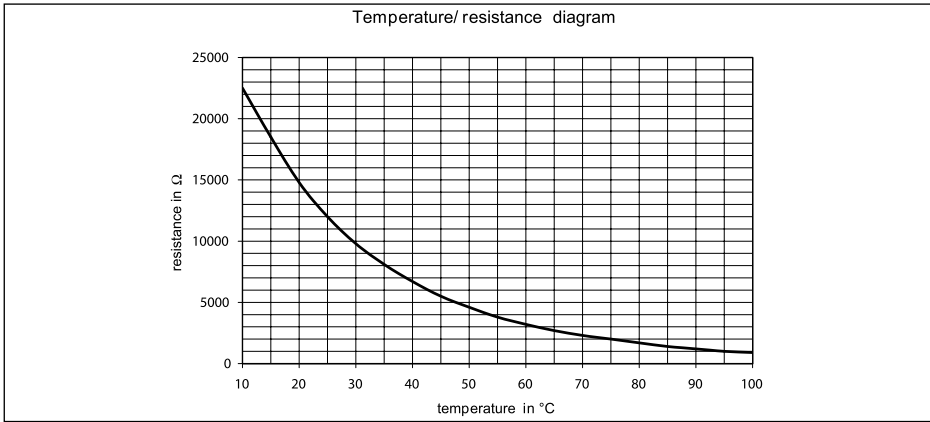


Fig. 21 Sensor resistance graph  
pdf

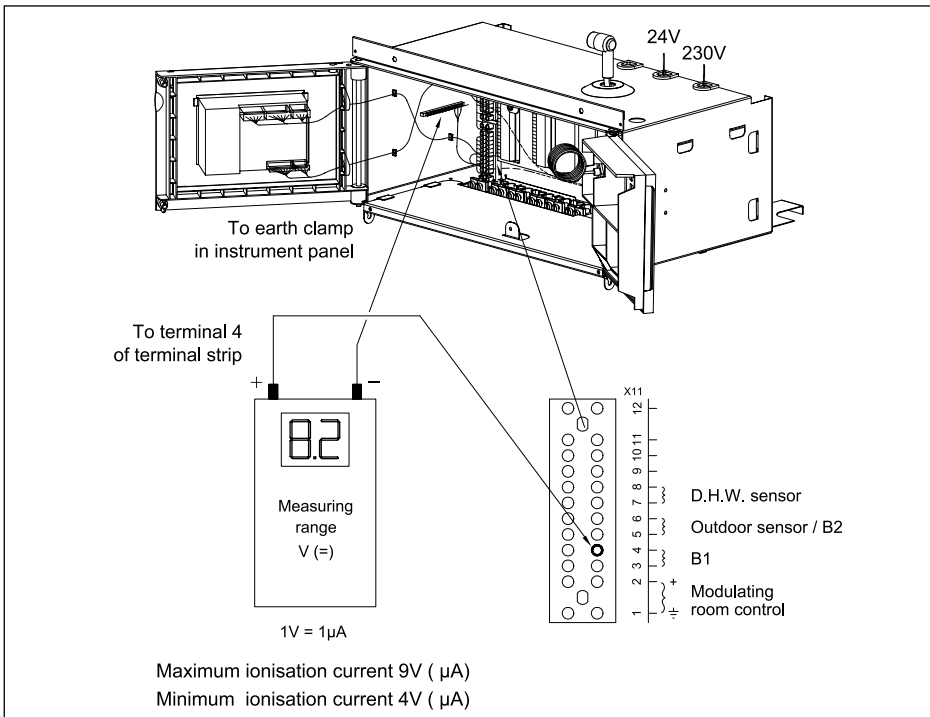


Fig. 22 Ionisation measurement

04.W4H.79.00007

## 11 INSPECTION AND SERVICING INSTRUCTIONS

### 11.1 General

The Remeha Quinta 85 has been designed to need minimum maintenance, but to ensure optimum efficiency we advise that once a year the boiler should be checked and if necessary cleaned and reset.

All service and maintenance must be carried out by a qualified Engineer with the relevant training and certification (ie CORGI - ACOPS - etc.).

### 11.2 Annual Inspection

The annual inspection (or after 1600 hours run) of the Remeha Quinta 85 as follows:

- Check combustion characteristics, see *Table 16*.

**NOTE:** When checking combustion the CO<sub>2</sub> levels should be in accordance with the Table 16 +/- 0.3%. If the levels are outside these tolerances adjustment to the levels must be made in accordance with the tolerance in Table 16 (+/- 0.1%)

- Check flue gas temperature. If the flue gas temperature is more than 30°C above the boiler return water temperature, the heat exchanger must be cleaned, see *Par. 11.6*.
- Check and (when needed) clean the condensate siphon (refill with clean water).
- Check for leaks (water side, flue gas side and gas soundness).
- Check flue and air inlet system is clear and gas/water tight.
- Check system pressure.
- Check control settings.
- Check boiler parameters.
- Check ionisation level, minimum 4 µA dc (ionisation measurement in Volts between terminal 4 and earthing, 1V dc ≡ 1 µA dc)  
If ionisation level < 4 µA dc or not present, check:
  - Is flame shape stable and colour as described in commissioning instructions.
  - Check ignition probe earthing.
  - Check temperature sensors for resistance values against *Fig. 24* (humidity on sensors).
- Replace electrode at least every 2 years.
- Clean any oxides/deposits with sand paper or fine emery cloth.
- Check shape of probe and ignition gap, i.e. 3 to 4 mm..

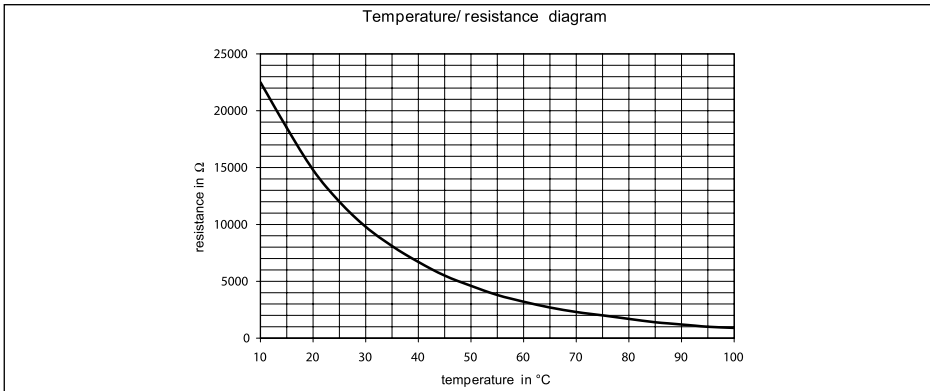


Fig. 24 Sensor resistance graph

pdf

### 11.3 Maintenance

If during the annual inspection combustion results indicate that the boiler is no longer operating at the optimum level, additional maintenance should be carried out as follows:

#### NOTE:

- Please ensure that the gas supply and mains power supply is isolated before any maintenance work is carried out on the boiler
  - Care should be taken when stripping the boiler for maintenance making sure that all parts nuts, washers and gaskets etc. are kept safe, clean and dry for re-assembly
  - Following maintenance/cleaning, the boiler should be re-assembled in the reverse order re-placing gaskets and joints where found necessary.
  - All general cleaning should be carried out with a soft brush or damp cloth to avoid damaging components. (Solvents must not be used).
1. Isolate gas supply and electrical supply
  2. Remove front casing retaining screws (2) pull front casing panel slightly forward and lift off
  3. Slide upwards and tilt instrument panel forwards turning downwards engaging the lower lugs on the bottom casing to hold panel in place during maintenance
  4. Remove M5 nuts and bolts securing fan and air inlet assembly to venturi, disconnecting electrical leads where necessary

**NOTE:** connect rear electrical plug on fan before final positioning when re-fitting

5. Remove M5 retaining nuts securing venturi to front plate
6. Remove ignition cap/lead and earth lead from Ignition/ionisation electrode.

#### **11.4 Cleaning the fan**

Use a synthetic brush to clean fan, **be careful not to disturb the balance clips on the vanes**

#### **11.5 Cleaning the venturi**

Use a synthetic brush to clean venturi – make sure that the silicon hose between gas valve and venturi is clear and in good condition – replace if necessary

#### **11.6 Cleaning the heat exchanger**

Release the retaining nuts from heat exchanger front plate, remove plate, be careful not to damage the insulation plate or the burner which is connected to front plate, store safely.

Heat exchanger can be washed with clean water, if badly contaminated, special cleaning tool (supplied optional) can also be used. Care should be taken when using water in the confined space of the boiler casing to avoid contaminating the electrical controls. Compressed air can also be used but care should be taken to ensure disturbed dust etc does not contaminate the rest of boiler and controls.

1. When replacing the heat exchanger front plate – tighten the retaining nuts to a torque of app. 7.5 Nm.

#### **11.7 Cleaning the burner assembly**

Clean the burner assembly by using compressed air only - between 2 and 5 bar with the nozzle positioned a min of 10 mm away and towards the face of the burner. Check that the retaining M4 bolts are tight

If the burner is removed from the front plate ensure burner retaining screws are tight on re-assembly to a torque of app. 3.5 Nm.

#### **11.8 Cleaning the siphon**

Remove and clean the siphon bowl (located underneath boiler)

Refill with clean water and re-fit bowl (make sure the main assembly is not disturbed from the boiler connection)

### **11.9 Cleaning/replacing the ignition/ionisation electrode**

Remove the two retaining screws on the electrode assembly, remove assembly and examine for wear and dirt, clean and re-gap electrode (3mm) if in good condition. Replace electrode assembly if necessary - then discard screws and gasket and fit replacement assembly c/w new gasket and screws making sure that the earth connection is in good condition and in contact with the base plate

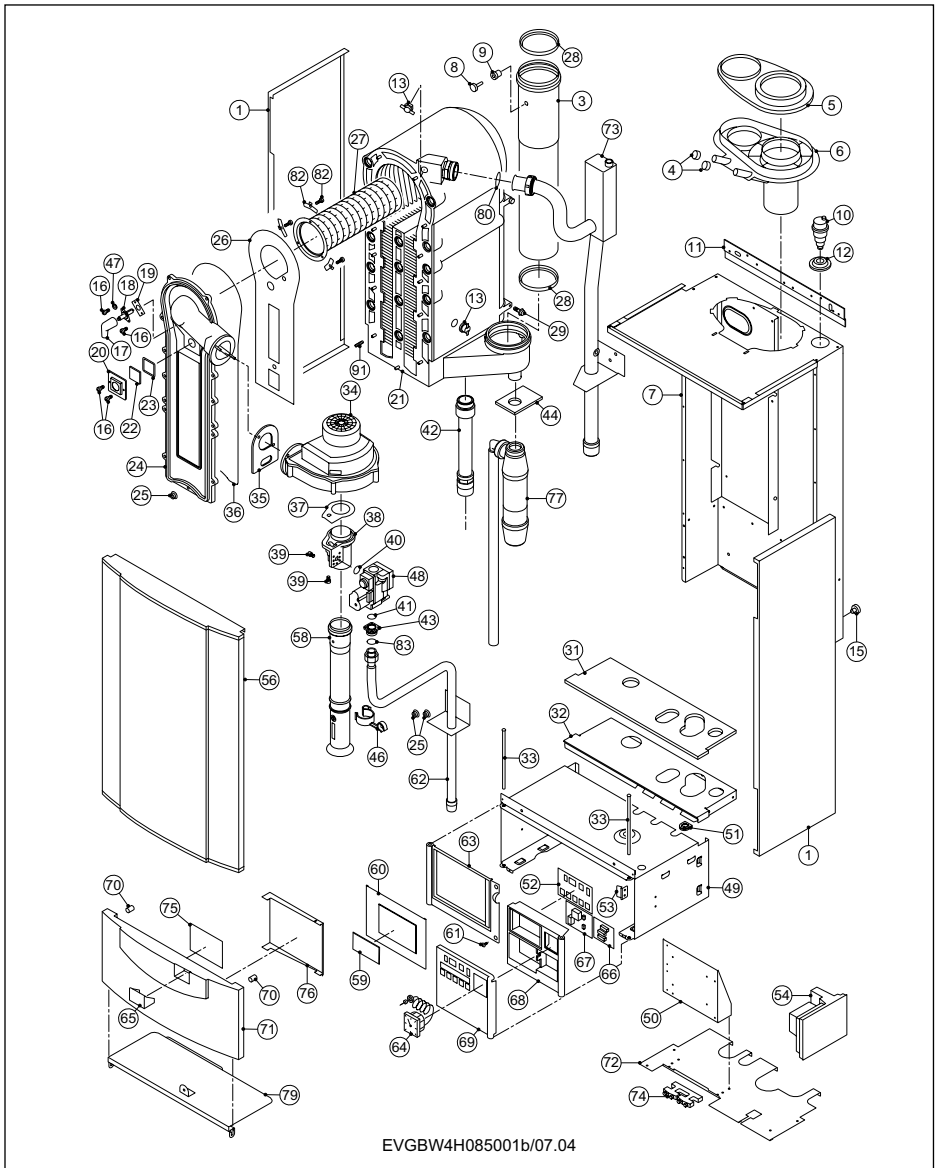
### **11.10 Cleaning to inspection glass**

Remove the two retaining screws on the inspection glass holder, clean and replace.

Re-assemble boiler in reverse order, check front plate gasket and insulation piece, replace if required also check gasket on fan and on gas valve, replace if necessary. Ensure that all cables are routed correctly using existing clips and ties where possible to ensure that they do not touch any hot parts of the boiler

Commission boiler in accordance *with Par. 9.1*- complete site report and/or boiler log book if present

### 11.11 Part list Quinta 85 boiler



EVGBW4H085001b/07.04

Fig. 25 Quinta 85  
EVGBW4H085001b

| <b>Part description</b>   | <b>Pos nr</b> |
|---|---------------|
| Casing side left + right  | 1             |
| Flue gas pipe Ø 100 mm.   | 3             |
| Screw cap measure point flue gas pipe                             | 4             |
| Adapter plate Ø 100 mm. excentric                                 | 5             |
| Connection piece chimney  | 6             |
| Frame c/w top plate   | 7             |
| Grommet open  | 9             |
| Vent auto air bleed device 3/8"                                   | 10            |
| Wall bracket boiler   | 11            |
| Grommet 46mm o/d x 22mm l/d (condensate pipe to bottom casing)    | 12            |
| Sensor temperature (flow and return) Elmwood NTC 12K/007          | 13            |
| Spacer rear casing  | 15            |
| Screw M4 x 10   | 16            |
| Cable ignition c/w cap  | 17            |
| Electrode ignition/ionisation MX REBA (incl. Gasket and 2 screws) | 18            |
| Gasket for electrode  | 19            |
| Mounting frame (for Inspection glass)                             | 20            |
| Heat exchanger  | 21            |
| Glass inspection c/w gasket 32x32x3mm and 2 screws                | 22            |
| Gasket (for inspection glass)                                     | 23            |
| Heat exchanger front plate  | 24            |
| Nut M6  | 25            |
| Insulation front plate heat exchanger                             | 26            |
| Burner Furigas 85 kW  | 27            |
| Sealing ring flue Ø 100   | 28            |
| Bolt M6   | 29            |
| Sealing plate (black foam)  | 31            |
| Plate bottom casing   | 32            |
| Hinge pin   | 33            |
| Fan   | 34            |
| Gasket (fan to venturi)   | 35            |
| Gasket front plate Quinta 45/85                                   | 36            |
| Gasket for venturi  | 37            |
| Venturi CVI 050 Quinta 85   | 38            |
| Screw M5x10   | 39            |
| Gasket gas combi-block/venturi                                    | 40            |



|  |                 |
|--|-----------------|
| O-ring gas pipe Ø 26.8 x 22 x 2.5            | 41              |
| Return pipe                                  | 42              |
| Flange for gas combi-block                   | 43              |
| Sealing plate (siphon black foam)            | 44              |
| Support bracket air inlet                    | 46              |
| Washer spring ring a4,3                      | 47              |
| Gas combi-block VK8115VB1008B                | 48              |
| Box instrument panel                         | 49              |
| Grommet Ø 21 mm                              | 51              |
| Display print board                          | 52              |
| Retaining clip MCBA board                    | 53              |
| Control board MCBA1461 V3.1                  | 54              |
| Casing front                                 | 56              |
| Air inlet tube c/w damper                    | 58              |
| Screw metal 4.2x25                           | 61              |
| Gas supply pipe ¾"                           | 62              |
| Pressure gauge + grommet                     | 64              |
| Sight cover for display                      | 65              |
| Door R/H                                     | 68              |
| Door R/H cover                               | 69              |
| Magnet Ø 8mm for cover                       | 70              |
| Cover grey drop down door                    | 71              |
| Bottom plate instrument panel rear           | 72              |
| Flow pipe assembly                           | 73              |
| Cable clamp                                  | 74              |
| Label user instructions                      | 75              |
| Documentation holder A5                      | 76              |
| Siphon cup + inlet pipe                      | 77              |
| Bottom plate instrument panel front          | 79              |
| Sealing ring 44x32x4                         | 80              |
| Lock plate for burner c/w bolt               | 82              |
| Gasket 23.8mm o/d x 17.2mm l/d x 2mm         | 83              |
| Adapter support                              | 85              |
| Service set stud bolt (4 pcs) heat-exchanger | 91              |
| Cable set complete wiring harness            | not illustrated |

Table 19 Part list







**Broag Ltd.**

Remeha House  
Molly Millars Lane  
RG41 2QP WOKINGHAM, Berks.  
Tel: +44 118 9783434  
Fax: +44 118 9786977  
Internet: [uk.remeha.com](http://uk.remeha.com)  
E-mail: [boilers@broag-remeha.com](mailto:boilers@broag-remeha.com)



**© Copyright**

All technical and technological information contained in these technical instructions, as well as any drawings and technical descriptions furnished by us remain our property and may not be multiplied without our prior consent in writing.