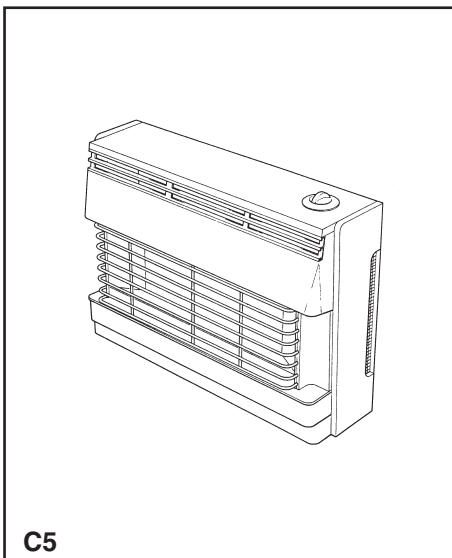
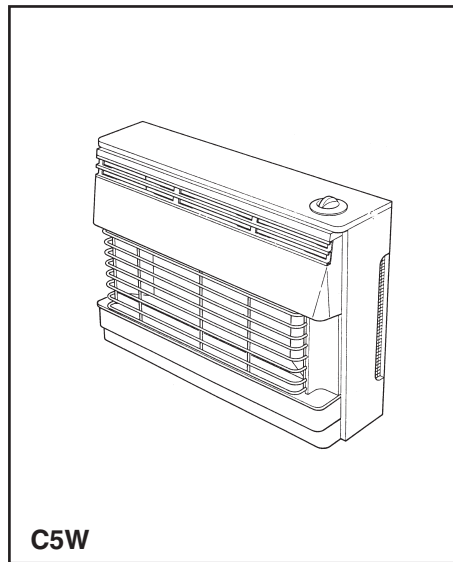
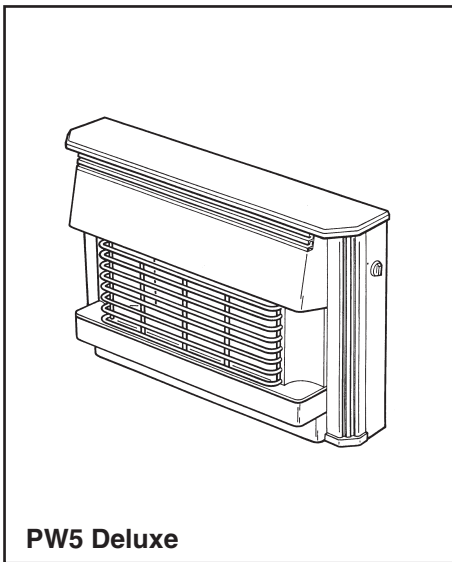


Please keep these Instructions safe.
Should you move house, please hand
them over to the next occupier.

Baxi Bermuda PW5 Deluxe/C5/C5W

Fireside Gas Central Heating Unit

Installation and Servicing Instructions



BAXI

Natural Gas

Baxi Bermuda PW5 Deluxe

G.C.No. 37 077 68

Baxi Bermuda C5

G.C.No. 37 077 65

Baxi Bermuda C5W (Oak)

G.C.No. 37 077 66

Baxi Bermuda C5W

G.C.No. 37 077 67

For use with the following boilers:

Baxi Bermuda 45/4 M

G.C.No. 44 077 71

Baxi Bermuda 45/4 E

G.C.No. 44 077 73

Baxi Bermuda 57/4 M

G.C.No. 44 077 72

Baxi Bermuda 57/4 E

G.C.No. 44 077 74

Baxi Bermuda 51/5

G.C.No. 44 075 06

Baxi is one of the leading manufacturers of domestic heating products in the UK.

Our first priority is to give a high quality service to our customers. Quality is built into every Baxi product - products which fulfil the demands and needs of customers, offering choice, efficiency and reliability.

To keep ahead of changing trends, we have made a commitment to develop new ideas using the latest technology - with the aim of continuing to make the products that customers want to buy.

Everyone who works at Baxi has a commitment to quality because we know that satisfied customers mean continued success.

We hope you get a satisfactory service from Baxi. If not, please let us know.

Propane Gas

Baxi Bermuda C5 Propane

G.C.No. 37 077 74

Baxi Bermuda C5W (Mahogany) Propane

G.C.No. 37 075 17

For use with the following boiler:

Baxi Bermuda 553 Propane

G.C.No. 44 077 75

Renewal

Baxi Bermuda PW5 Deluxe Renewal

G.C.No. 37 075 10A

Baxi Bermuda C5 Renewal

G.C.No. 37 075 07A

Baxi Bermuda C5W (Oak) Renewal

G.C.No. 37 075 08A

Baxi Bermuda C5W (Mahogany) Renewal

G.C.No. 37 075 09A

For use with the following boilers:

Baxi Bermuda 401

G.C.No. 44 077 49

Baxi Bermuda 552

G.C.No. 44 077 50

Baxi Bermuda 45/3 M

G.C.No. 44 077 61

Baxi Bermuda 45/3 E

G.C.No. 44 077 60

Baxi Bermuda 57/3 M

G.C.No. 44 077 63

Baxi Bermuda 57/3 E

G.C.No. 44 077 62

Baxi Bermuda 45/4 M

G.C.No. 44 077 71

Baxi Bermuda 45/4 E

G.C.No. 44 077 73

Baxi Bermuda 57/4 M

G.C.No. 44 077 72

Baxi Bermuda 57/4 E

G.C.No. 44 077 74

Baxi Bermuda 51/5

G.C.No. 44 075 06



Baxi is a BS-EN ISO 9001
Accredited Company

Codes of Practice, most recent version should be used

In GB the following Codes of Practice apply:

Standard	Scope
BS 6891	Gas Installation.
BS 5546	Installation of hot water supplies for domestic purposes.
BS 5871	Installation of gas fires, convector and fire/back boilers.
BS 5440 Part 1	Flues.
BS 5440 Part 2	Ventilation.
BS 6798	Installation of gas fired hot water boilers.
BS 5449 Part 1	Forced circulation hot water systems.

In IE the following Codes of Practice apply:

Standard	Scope
I.S. 813	Domestic Gas Installations.

The following BS standards give valuable additional information;

BS 5546	Installation of hot water supplies for domestic purposes.
BS 5449 Part 1	Forced circulation hot water systems.

IMPORTANT - The addition of anything that may interfere with the normal operation of the appliance without express written permission from the manufacturer or his agent could invalidate the appliance warranty. In GB this could also infringe the **GAS SAFETY** (Installation and Use) **REGULATIONS**.

IMPORTANT - Installation, Commissioning, Service & Repair

This appliance must be installed in accordance with the manufacturer's instructions and the regulations in force. Read the instructions fully before installing or using the appliance.

In GB, this must be carried out by a competent person as stated in the Gas Safety (Installation & Use) Regulations.

Definition of competence: A person who works for a CORGI registered company and holding current certificates in the relevant ACS modules, or valid ACoP equivalents, is deemed competent.

In IE, this must be carried out by a competent person as stated in I.S. 813 "Domestic Gas Installations".

Information

Safe Installation

The appliance is suitable only for installation in GB and IE and should be installed in accordance with the rules in force.

In GB, the installation must be carried out by a CORGI Registered Installer. It must be carried out in accordance with the relevant requirements of the:

- Gas Safety (Installation & Use) Regulations.
- The appropriate Building Regulations either The Building Regulations, The Building Regulations (Scotland), Building Regulations (Northern Ireland).
- The Water Fittings Regulations or Water Byelaws in Scotland.
- The Current I.E.E. Wiring Regulations.

Where no specific instructions are given, reference should be made to the relevant British Standard Code of Practice.

In IE, the installation must be carried out by a competent Person and installed in accordance with the current edition of I.S. 813 'Domestic Gas Installations', the current Building Regulations and reference should be made to the current ETCI rules for electrical installation.

These Instructions must be read in conjunction with those for the Boiler Section before installing or using this appliance.

Installation Instructions

These instructions must be read in conjunction with the separate instructions for the boiler section

INTRODUCTION

This unit is the gas fire section of the Bermuda PW5 Deluxe, C5, C5W central heating boiler and gas fire. The heat input is 4.67kW (15,900 Btu/h) and the fire is available for use with Gas Type G20 (Natural Gas) at 20mbar or Gas Type G31 (Propane) (C5 & C5W Mahogany only). The fire is controlled by a knob positioned on the right hand side of the case (PW5 Deluxe models) or on the top right hand side (C5 & C5W models). Ignition is by piezo spark to the pilot. For details of Propane appliances see page 15. The control knob has five positions giving a choice of four output rates.

Position	●	-	OFF
Position	★1	-	IGNITION/LOW/PILOT
Position	2	-	MEDIUM
Position	3	-	MED/HIGH
Position	4	-	HIGH

There is no 'Pilot Only' position-the pilot and burner low rate light simultaneously at position ★1.

When the control knob is turned from ★1 to ● the pilot and burner are extinguished.

SITE REQUIREMENTS

The principal site requirements are determined by the boiler but the following details are essential for the correct installation of the fire:

Fireplace opening: (Figs. 1 & 2)

Width 406mm (16in) MIN 584mm (23in) MAX
Height 560mm (22in)

Wherever possible always make the fireplace opening to the maximum dimensions.

Hearth: If the fire is to be hearth mounted, then the hearth must be of a non-combustible material at least 13mm (1/2in) thick and measuring at least 340mm (13 3/8in) deep by 830mm (32 3/4in) wide and fitted centrally about the fireplace opening. The top surface of the hearth should be a minimum of 50mm (2in) above floor level and must be level with the base of the builders opening. On no account should the fire unit be fitted directly onto a combustible floor or carpet.

Surround or Wall Finish: (Figs.1, 2 & 3) The surround or wall finish must have a flat vertical area central about the fireplace opening. This must be a minimum of 860mm (33 7/8in) wide (C5/C5W) or 991mm (39in) wide (PW5 Deluxe). These dimensions include side clearances of 70mm (2 3/4in) both sides (C5/C5W) and 70mm (2 3/4in) to the left and 89mm (3 1/2in) to the right (PW5 Deluxe). The surface must be 660mm (26in) high (C5/PW5 Deluxe) or 675mm (26 9/16in) high (C5W). The area behind the fire must be non-combustible.

A shelf may be fitted over the fire provided that it is not less than 76mm (3in) on PW5 Deluxe and 100mm (4in) on C5/C5W above the fire top panel and does not exceed 229mm (9in) in depth. The area between the shelf and the top of the fire must be non-combustible.

If a surround is fitted, any gaps between it and the wall must be sealed and it must have a rating of 100°C or higher.

NOTE:- If when installing a PW5 Deluxe the flat area of a surround or between two projections is to the minimum width i.e. 991mm (39in) the fire will be offset to the left within this area to comply with minimum side clearances. A minimum width of 1010mm (39 3/4in) is required to allow the fire to be central.

Ventilation

Ventilation air supply should be in accordance with the relevant standards. In GB this is BS 5440 Pt. 2. In IE this is I.S. 813 "Domestic Gas Installations". The permanent ventilation area size requirements are
C5/C5W/PW5 Deluxe and 45/4 62.51cm² (9.7in²)
C5/C5W/PW5 Deluxe and 57/4 83.12cm² (12.88in²)
C5/C5W/PW5 Deluxe and 51/5 70.77cm² (11in²)

The permanent vent may be directly into the room containing the appliance. The vent may also be sited in another room provided an interconnecting vent is used.

The vent must not be installed inside the builders opening. The vent should be sited following good practice for a habitable room. We recommend the use of the Stadium BM700 or BM701 ventilator which is available from your local merchant.

Wall Fixing: (Fig.2) The bottom of the fire (i.e. the hearth on which the boiler rests) must be 100mm (4in) to 125mm (5in) above the floor level.

It is strongly recommended that the fireplace opening is made to the maximum dimensions.

GAS SUPPLY

1. The gas installation should be in accordance with relevant standards. In GB this is BS 6891. In IE this is I.S. 813 "Domestic Gas Installations". The gas supply is provided from the service tap on the boiler unit. A supply pipe is provided with the fire. This pipe has one flared end for connection to the fire and a plain end which is connected to the service tap by a nut and olive.
2. Dependent upon the position of the boiler relevant to the surround or wall finished face, it may be necessary to shorten the supply pipe. IF THE PIPE HAS TO BE SHORTENED CARE MUST BE TAKEN. The length of the supply pipe is determined as follows:

- Measure the distance 'D' from the centre of the front positioning 'V' mark on the boiler tray, back to the surround face or finished wall face (Fig.3).
- FROM THE PLAIN END of the supply pipe cut off a length of pipe equal to the distance 'D' measured above. Take care to ensure that the cut is square and the pipe is free from burrs and swarf.

ALTERNATIVELY

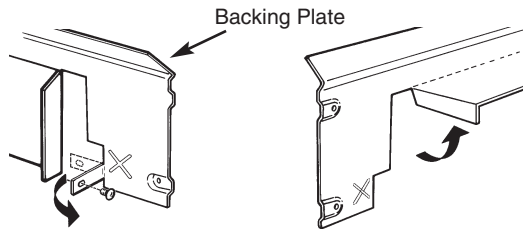
- The amount of pipe required to be cut off can be determined by holding the PLAIN END of the pipe against the surround or finished wall face, marking the pipe at the position of the centre of the front positioning 'V' mark on the boiler tray.

3. After threading the steel flare nut on the above pipe, connect the plain end to the service tap with the remaining nut and olive. It is important to ensure that the flared end of the pipe:

- Faces to the right.
- Is parallel with the hearth or floor.

Fitting the Fire

Bend the central flap of the backing plate and the two securing brackets as shown in the diagram.



Fit the fire backing plate to the fire using the M5 x 8mm thread forming screws provided (Fig.5).

Fit the extension panel supplied with the fire to the boiler controls heat shield using two of the No. 8 x 3/8 in. self tapping screws (Fig.4).

IMPORTANT: The extension panel MUST be fitted.

HEARTH FIXING

1. Locate the fire spigot into the draught diverter on the boiler. Push the fire backwards until the backing plate touches the surround or finished wall face. Adjust the feet to level the fire (Fig.5).

2. Mark the position of the most suitable pair of securing holes in the fire backing plate (Fig.5) and remove the fire. Drill and plug the wall with suitable plugs. Replace the fire and secure to the wall with suitable fixing screws.

3. Connect the supply pipe to the fire inlet connection.

WALL FIXING

1. Slide the fire support plate over the overhanging boiler base (Fig.4). Using the screws provided, loosely attach the plate using the slots at each side.

2. On electronic control boilers it will be necessary to disconnect the input plug from the controls. Push the support plate backwards until it touches the wall surface and tighten the screws to lock the frame in position. Locate the fire spigot into the draught diverter on the boiler. Push the fire backwards until the backing plate touches the finished wall face. Adjust the feet to level the fire (Fig 5).

3. Mark the position of the most suitable pair of securing holes in the fire backing plate (Fig.5) and remove the fire. Drill and plug the wall with suitable plugs. Replace the fire and secure to the wall with suitable fixing screws .

4. Connect the gas supply pipe to the fire inlet connection.

Appliance Details

BERMUDA PW5 Deluxe (see page 7 for clearances)	Height - 637mm (to hearth) Width - 832mm Depth - 206mm
BERMUDA C5/C5W (see page 7 for clearances)	Height - C5 639mm (to hearth) C5W 654mm (to hearth) Width - 720mm Depth - 201mm
HEAT INPUT (GROSS)	4.67kW (15,900 Btu/h)
GAS GROUP	G20 (Natural Gas)
INJECTOR SIZE	170S (PW5Deluxe) C06 (C5 & C5W)
SETTING PRESSURE (Cold)	17.2±1 mbar (6.9± 0.4 in wg)
THERMOCOUPLE OUTPUT	7.5 - 13mV
PILOT ASSY	21100/165
HEAT INPUT (GROSS)	210W (715 Btu/h)

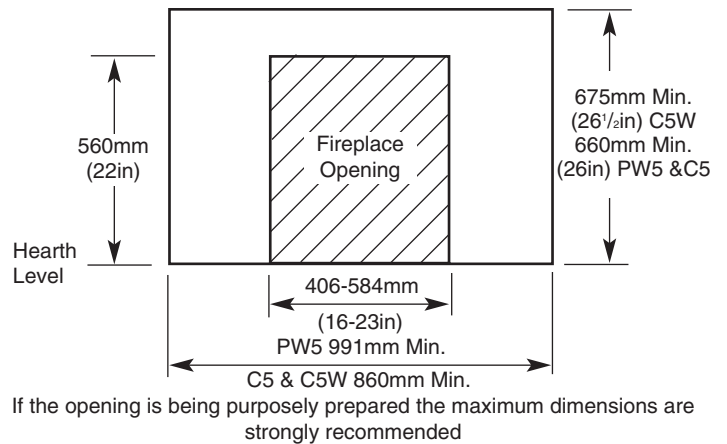


Fig. 1 Fireplace Opening

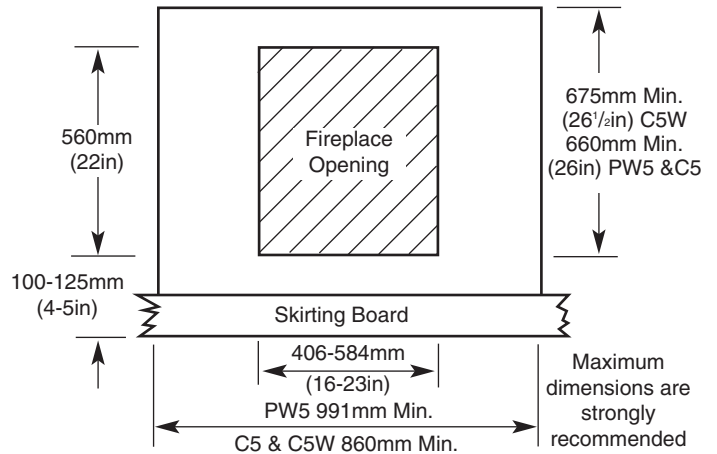


Fig. 2 Wall Fixing

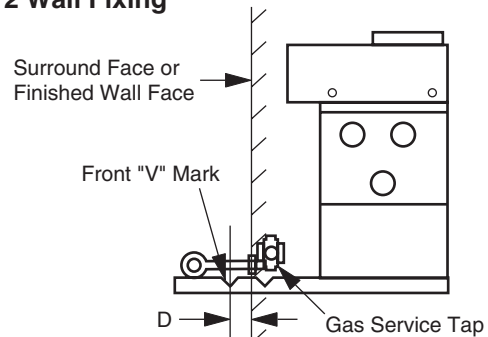


Fig. 3 Gas Supply Pipe

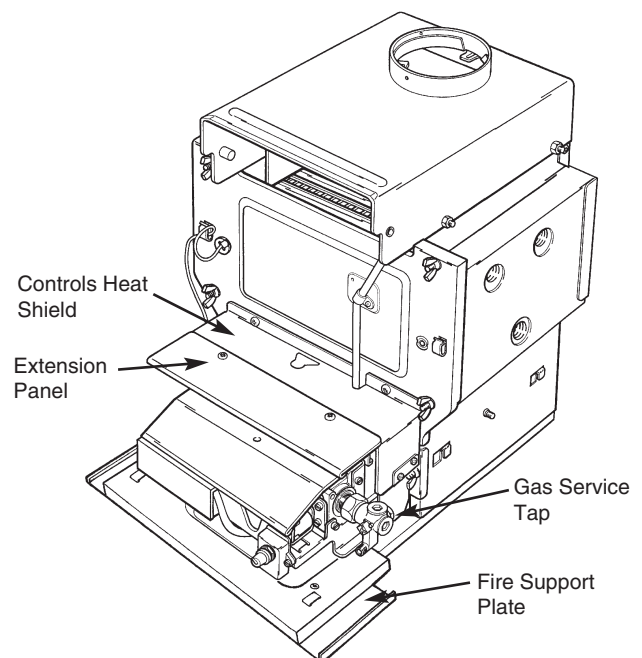


Fig. 4 Wall Fixing - Support Plate

Commissioning the Fire

1. Remove the four radiants from their packing. Fit them by inserting their upper edge into the heat exchanger and then lowering them on to the burner rail. The lower front edge should be flush against the radiant support rail.

2. Remove the pressure test point sealing screw and connect a pressure gauge (Fig.5).

3. Turn on the gas service tap (at present supplying gas to the boiler only) fully anti-clockwise. The service tap is now supplying both the boiler and the fire (Fig.4).

4. Purge according to in GB BS 6891 and in IE the current edition of I.S. 813 "Domestic Gas Installations".

5. To light the fire - fit the fire control knob if not fitted and ensure that it is fully clockwise. Push in and turn anti-clockwise slowly to the positive stop to operate the igniter. Repeat until the pilot and burner light. The burner flame will be visible in the two centre radiants. Continue to hold in the control knob for a further 15 seconds. Release slowly and the pilot and burner should stay alight. If the pilot and burner do not stay alight turn the control knob to the OFF position fully clockwise and repeat.

6. Check that the fire burner crosslights smoothly by pushing in the knob and turning fully anti-clockwise. Test for gas soundness with leak detection fluid.

7. Check the fire pressure with the control knob in the fully anti-clockwise position. The pressure should be $17.2\text{mbar} \pm 1.0\text{mbar}$ (6.9 in. wg. ± 0.4 in. wg.).

8. Turn the control knob clockwise to the OFF position. Remove the pressure gauge and refit the pressure test point sealing screw, ensuring a gas tight seal.

9. Test for clearance of flue products as follows:
- Ensure that all doors and windows are closed.
IMPORTANT NOTE: If there is a ceiling or extractor fan in the room or adjoining room then the spillage test must be performed with the fan turned on and any interconnecting doors between the fan and the appliance left open.
 - Light the fire and turn to position 4.
 - After running for 5 minutes take a lighted smoke match and insert it into the smoke tube at the left hand side of the fire leaving 3mm of the match below the tube (Fig.6). No smoke emerging from the side hole indicates clearance.
Smoke emerging from the side hole indicates spillage and the test must be repeated after a further 5 minutes. If the fire does not clear its products, further investigation must be carried out.

After a further 5 minutes with both the boiler and the fire alight, insert a smoke match into the boiler down draught diverter. Ensure that most of the smoke is drawn into the flue (Fig.7). If the boiler does not clear its products, further investigation must be carried out.

10. Fit the case as follows:
- Remove the control knob. (PW5 Deluxe only)
 - Lift the outercase over the heat exchanger and locate the two 'vee' notches in the top of the case into the 'vee' notches at the top of the inner case (Fig.5).
 - Secure the outercase to the inner case using the two securing screws provided (Fig.5).

12. Hand the user the User's Instructions, explain the operation of the boiler and fire and leave the unit set to suit their requirements.

13. Leave these instructions with the user or adjacent to the gas meter.

Fig.5
PW5 Deluxe

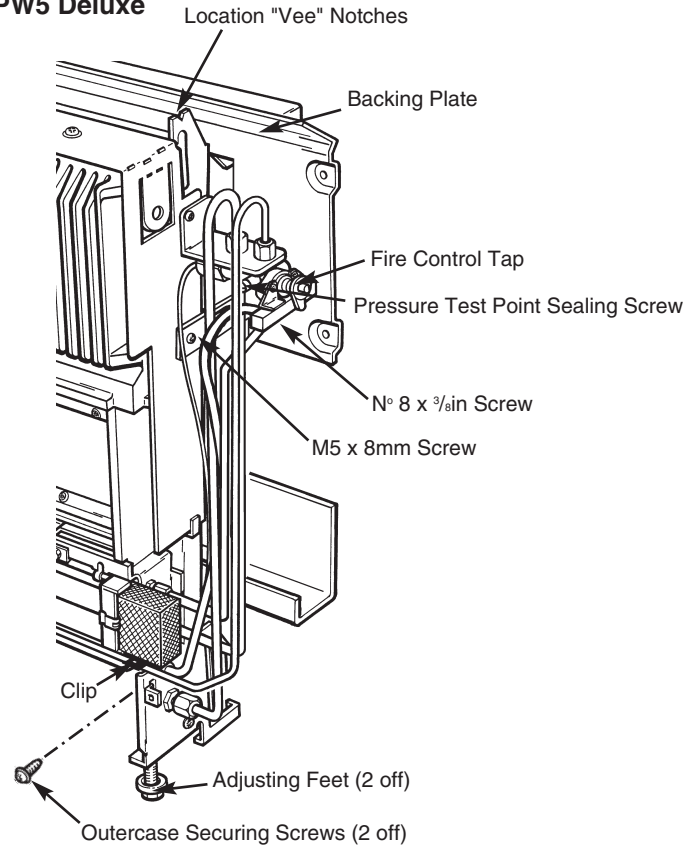
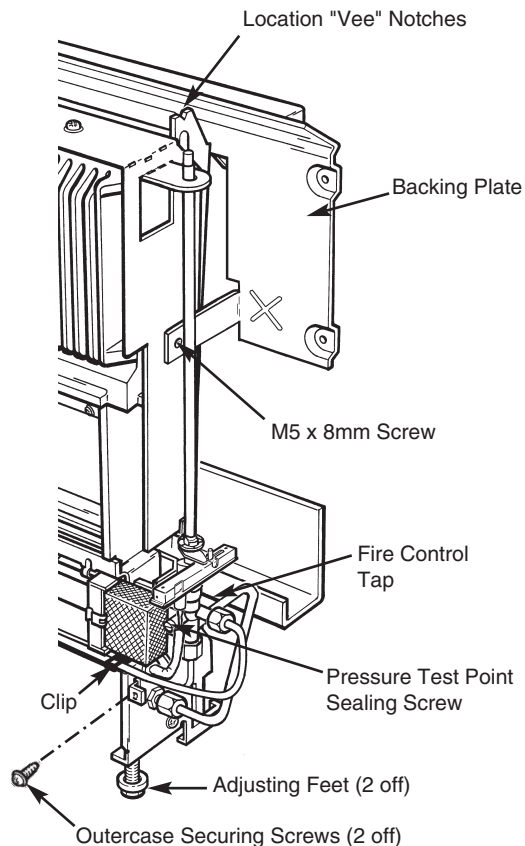


Fig.5
C5 - C5W



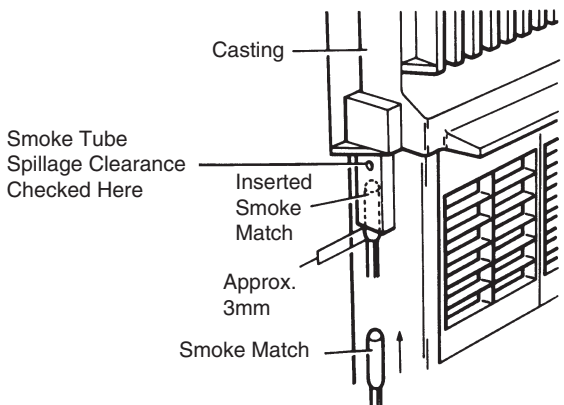


Fig.6

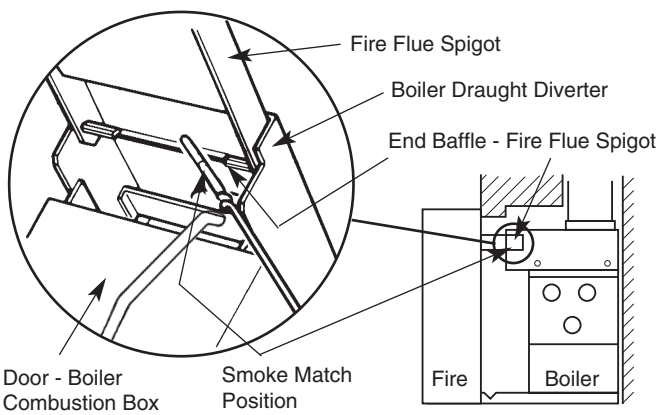


Fig.7 Spillage Test

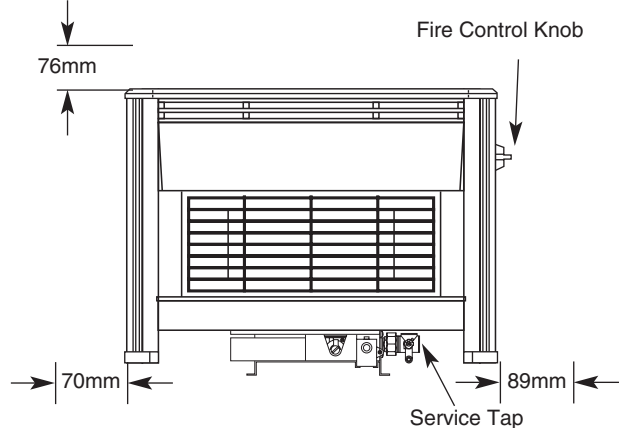
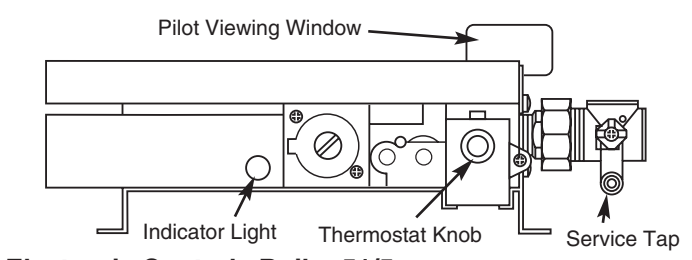
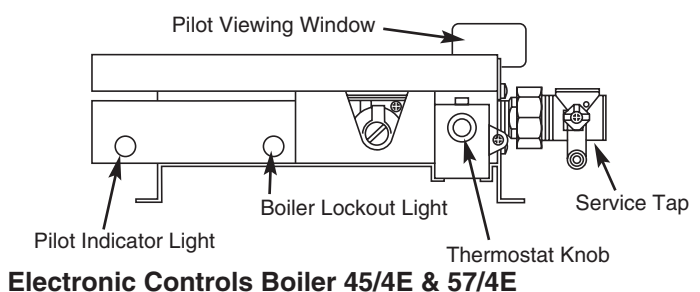


Fig.8 Outer Case & Clearances - PW5 Deluxe



Electronic Controls Boiler 51/5



Electronic Controls Boiler 45/4E & 57/4E

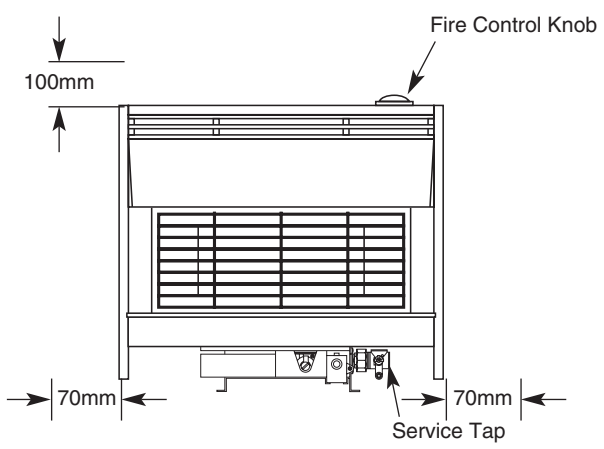
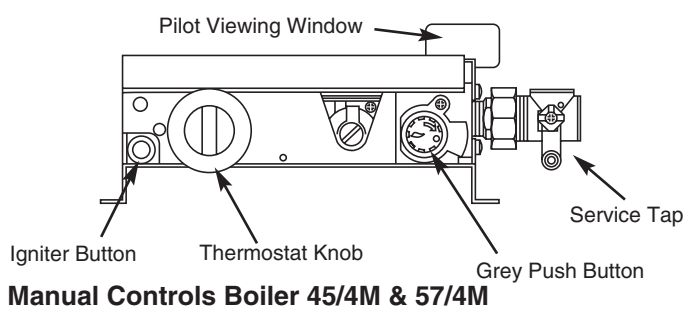


Fig.8 Outer Case & Clearances - C5 - C5W (C5W Not Shown)



Manual Controls Boiler 45/4M & 57/4M

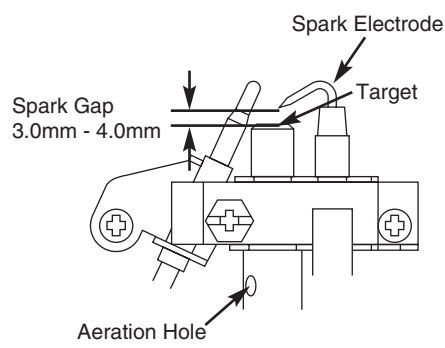


Fig.10 Spark Gap

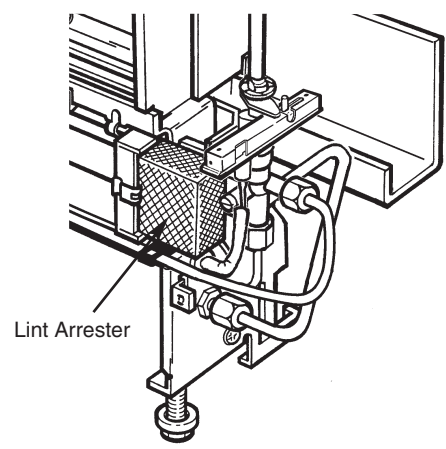


Fig.9 The Controls - C5 - C5W

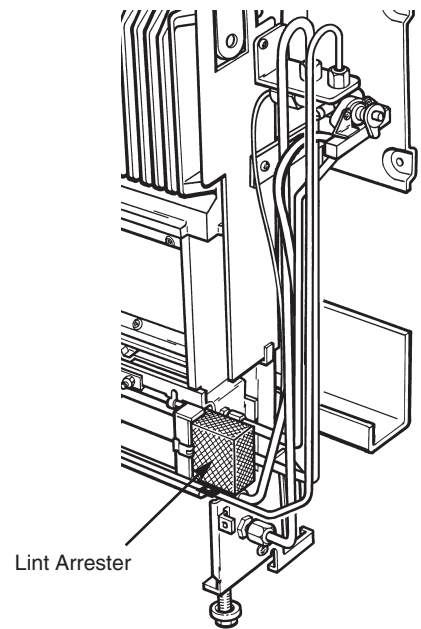


Fig.9 The Controls - PW5 DELUXE

Servicing the Fire

CAUTION: ISOLATE THE ELECTRICAL SUPPLY. TURN OFF THE GAS SUPPLY, ENSURE THAT THE FIRE IS COLD, TEST FOR GAS SOUNDNESS UPON RE-ASSEMBLY.

Instructions 1-10 are for servicing to be carried out annually and should be followed in conjunction with the separate instructions for the boiler section.

1. Remove the controls cover panel under the front of the fire by grasping it firmly by its edges and pulling forwards.
2. Remove the outercase as follows:
 - (i) Pull off the control tap knob. (PW5 Deluxe only)
 - (ii) Remove the 2 outercase securing screws (Fig.5).
 - (iii) Remove the case by easing the lower edge forward and then lifting upward.
3. Turn off the gas service tap by turning fully clockwise (Fig.4).
4. Disconnect the fire supply pipe from the fire inlet and remove the 2 screws securing the backing plate to the inner case. Pull the fire forward until the fire spigot is clear of the boiler canopy and lift away.
5. Remove the radiants by carefully lifting away from the burner, disconnect the electrode lead from the tap and pull through the grommet on the fire leg.
6. Pull the lint arrester from the burner and remove all traces of dust or lint.
7. Remove the burner and injectors as follows:

C5 & C5W

Undo the screws holding the A.S.D. assembly to the burner.

Slacken the thermocouple nut and undo the pilot feed pipe nut from the tap.

Release the thermocouple and pilot feed pipe from the clip below the burner.

Ease the pilot / A.S.D. assembly away from the burner rail.

Slacken the right hand screw holding the tap bracket to the fire, and remove the retaining screw from the left hand end of the burner.

Remove the burner from the fire.

Undo the injectors from the burner and clean carefully. **Do NOT use a pin or wire.**

Using a soft brush remove any dirt or deposits from the burner and ensure that the ports are free from obstruction. Clean any debris from the A.S.D. assembly. **Do NOT use a pin or wire.**

PW5 Deluxe

Undo the screws holding the A.S.D. assembly to the burner.

Slacken the thermocouple nut and undo the pilot feed pipe nut from the tap.

Release the thermocouple and pilot feed pipe from the clip below the burner.

Ease the pilot / A.S.D. assembly away from the burner rail.

Undo the compression nuts from the injectors and the left hand screw holding the burner to the fire.

Slacken the right hand screw.

Remove the burner from the fire.

Undo the injectors from the burner and clean carefully. **Do NOT use a pin or wire.**

Using a soft brush remove any dirt or deposits from the burner and ensure that the ports are free from obstruction. Clean any debris from the A.S.D. assembly. **Do NOT use a pin or wire.**

8. Check that the spark gap is as in Fig.10.

9. Replace the parts in reverse order of dismantling. Make sure that the glass fibre sleeve is correctly fitted over the ceramic insulation on the electrode.

10. Recommission the boiler and fire before use, and refit the outercase.

Changing Components

CAUTION: ISOLATE THE ELECTRICAL SUPPLY, TURN OFF THE GAS SUPPLY, ENSURE THAT THE FIRE IS COLD, AFTER REPLACING ANY COMPONENTS ALWAYS TEST FOR GAS SOUNDNESS.

The following components can be removed as described below:

Replace all components in the reverse order of dismantling. If necessary re-light the boiler pilot.

Remove the outercase and turn off the gas service tap as described in 1 - 3 of 'Servicing the Fire'.

GAS TAP & INJECTORS (C5 & C5W)

Remove the "R" clip retaining the spindle extension to the tap, and withdraw the extension.

Remove the electrode lead from the igniter.

Undo the thermocouple nut from the bottom of the tap.

Undo the tap feed pipe nut and pilot feed pipe nut.

Undo the locknut holding the tap to its mounting bracket.

Withdraw the tap from its bracket.

Undo the injectors from the tap and replace.

BURNER (C5 & C5W)

Remove the lint arrester (Fig. 9).

Remove the radiants.

Undo the screws holding the A.S.D. assembly to the burner.

Undo the left hand screw securing the burner, slacken the right hand screw and slide the burner to the left to disengage it, and remove.

BURNER & INJECTORS (PW5 Deluxe)

Remove the lint arrester (Fig. 9).

Remove the radiants.

Undo the screws holding the A.S.D. assembly to the burner.

Undo the compression nuts on the injectors.

Undo the left hand screw securing the burner, slacken the right hand screw and slide the burner out.

The injectors can now be removed.

GAS TAP & PILOT FILTER (PW5 Deluxe)

Undo the thermocouple nut from the tap.

Undo the four compression nuts.

Remove the electrode lead from the igniter.

Undo the lock nut holding the tap to its bracket, and remove the tap.

Remove the pilot filter from the pilot tapping and replace.

ELECTRODE LEAD (All Models)

Pull the lead/sleeve off the electrode and igniter.

Withdraw it through the grommets and clip on the appliance chassis.

When fitting the replacement, ensure that the female spade terminal is connected to the igniter.

Care must be exercised when connecting the other end to the spiked terminal of the electrode.

PILOT/A.S.D ASSEMBLY (All Models)

WARNING: The Pilot / A.S.D. assembly should not be adjusted in any way. The A.S.D. must not be altered so that it will not operate or be bypassed in any way. The thermocouple cannot be changed as an individual component. The complete assembly must be replaced in the event of one or other component failure(s). Only use a Genuine Baxi Spare Part.

Release the thermocouple and pilot feed pipe from the gas tap connection points.
Undo the pilot feed pipe nuts at each end and remove the pipe.
Undo the thermocouple nut from the tap.
Pull the electrode lead off it's terminal on the igniter and withdraw the lead and sleeve through the grommets.
Remove the Pilot / A.S.D. assembly from the appliance.
Fit the new components in reverse order of dismantling.

ELECTRO-MAGNET UNIT

Undo the thermocouple nut from the tap.
Undo the retaining nut.
Withdraw the electro-magnet unit from the tap.

PIEZO UNIT / IGNITER

(PW5 Deluxe)
Pull off the spark electrode.
Twist the retaining tabs to release the piezo unit.

TO FIT A NEW RADIANT PLAQUE

IMPORTANT: Radiant plaques suitable for use with A.S.D. equipped fires **MUST** be used. These are Baxi part no.237851.

Radiant plaques for older models of fire (part no.043025) MUST NOT be used as they prevent correct operation of the A.S.D. (Fig. 14).

Remove the dressguard. Lift the radiant up until its base is clear of the metal lip, pull the base forward over the lip and lower the radiant out of the frame. Fit the new radiant by putting the top of the radiant in position, lifting the radiant over the metal lip and then lowering onto its support at the back bottom edge of the radiant. Check that the new radiant lines up with the existing radiants to ensure that it has been fitted correctly. The lower front edge should be flush against the radiant support rail.

NOTICE

Discolouration Of Wall Surfaces

Most heating appliances generate warm air convection currents and transfer heat to any wall surface against which they are situated.

Some soft furnishings (such as blown vinyl wallpapers) may not be suitable for use where they are subjected to temperatures above normal room levels and the manufacturer's advice should be sought before using this type of wall covering adjacent to any heating appliance.

The likelihood of wall staining from convected air currents will be increased in environments where levels of tobacco smoke or other contaminants exist.

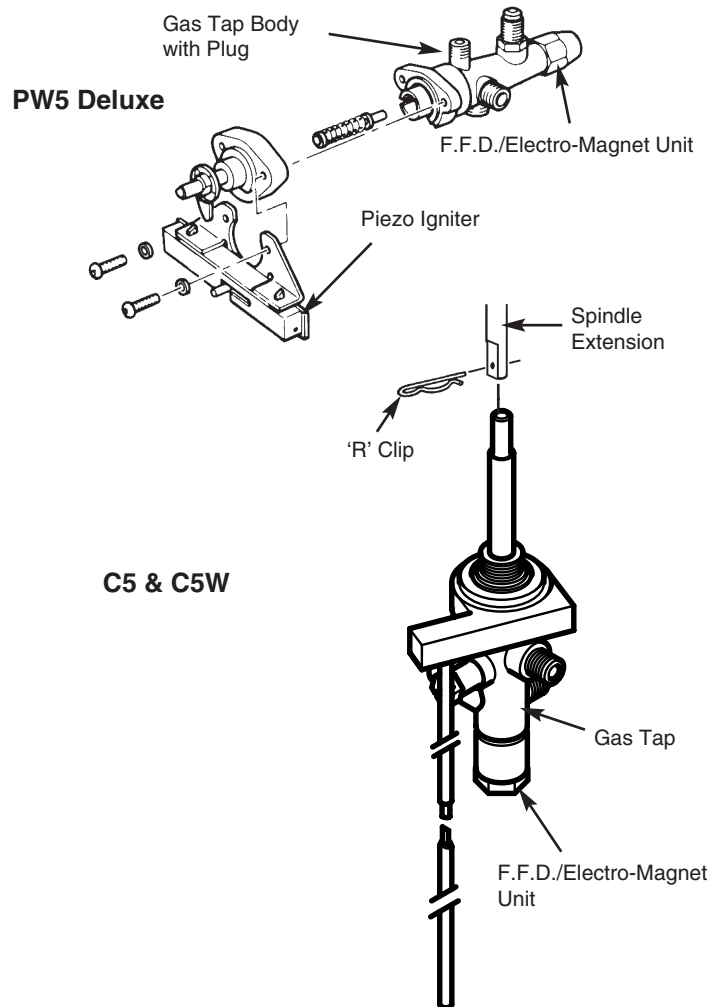


Fig. 13 Gas Control Tap/Flame Failure Device

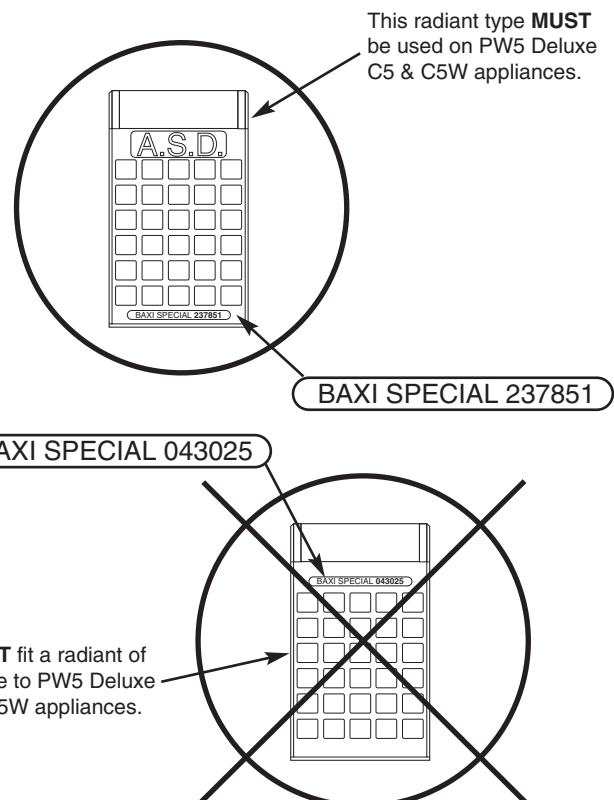
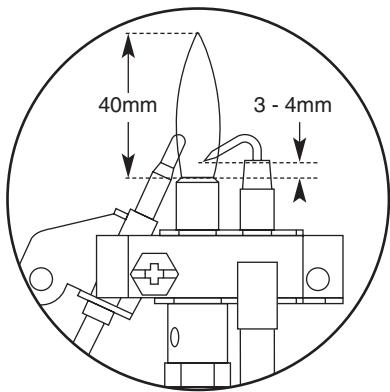
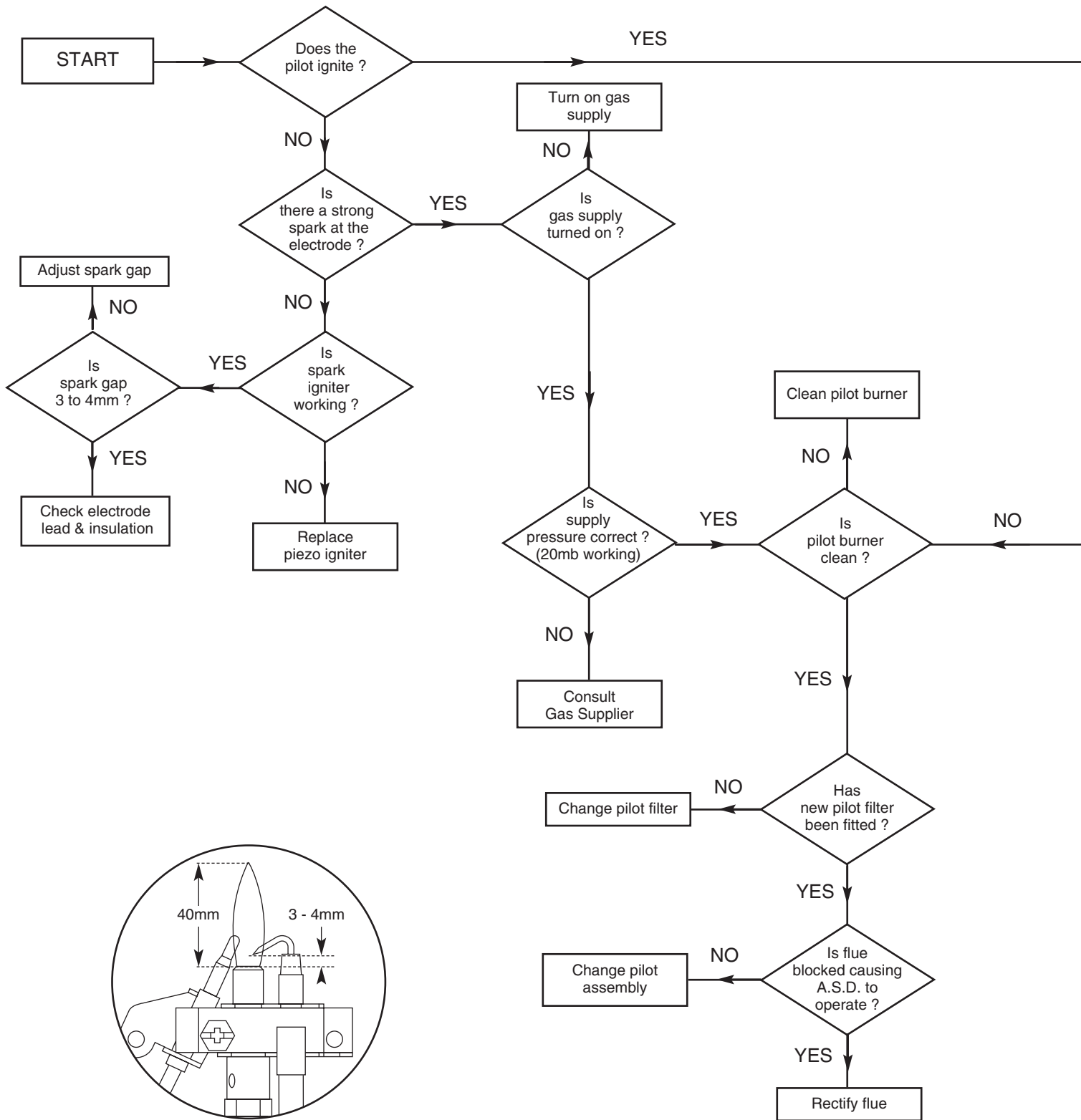


Fig. 14 Radiant Plaque Identification
(Viewed from rear of radiant)

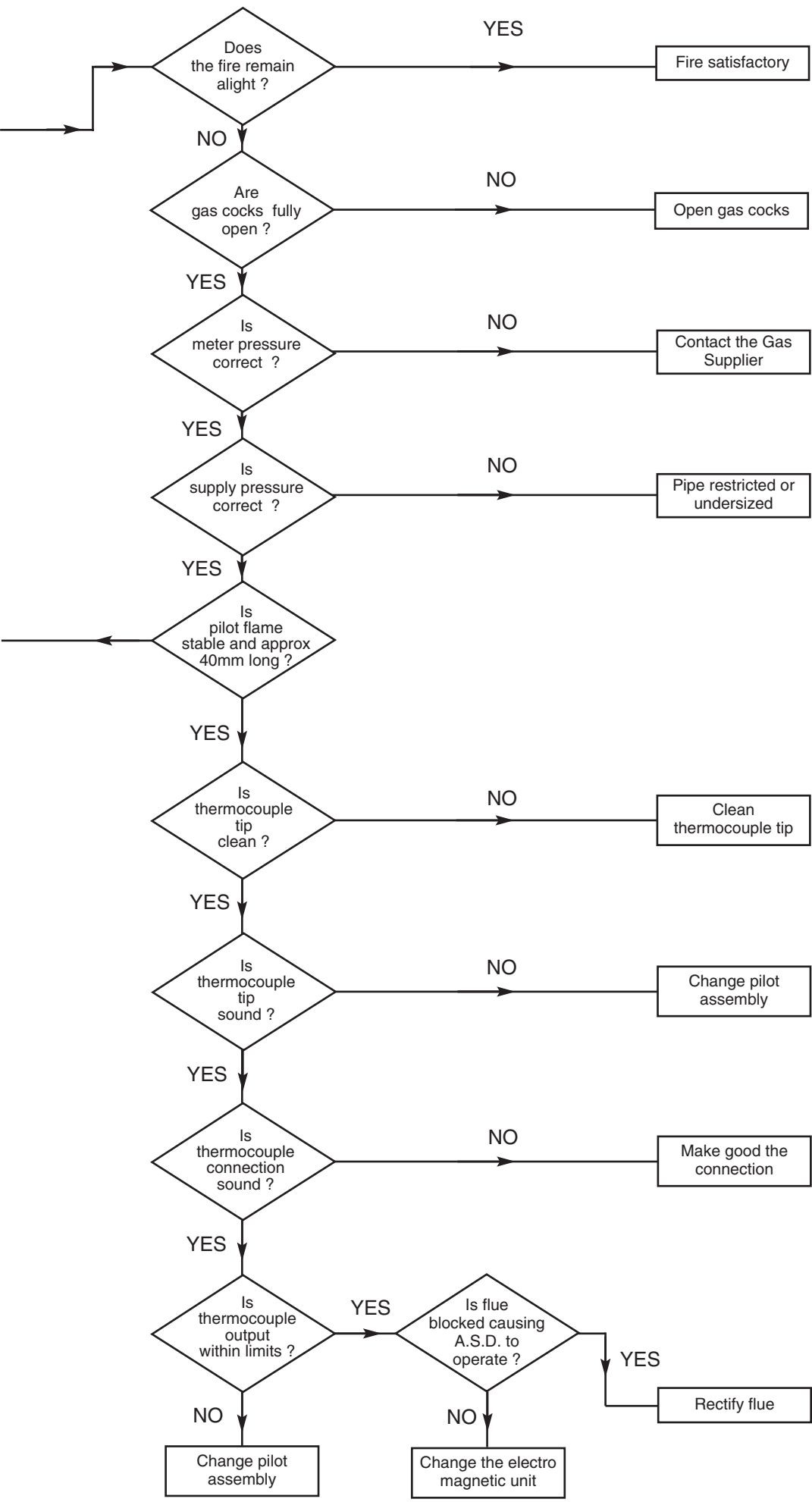
Fault Finding Chart

BAXI BERMUDA C5 / C5W / PW5 DELUXE

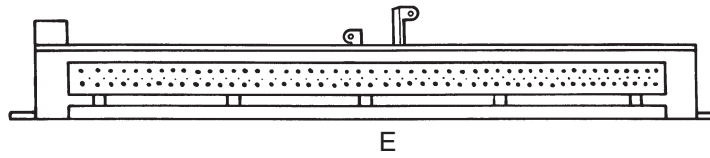
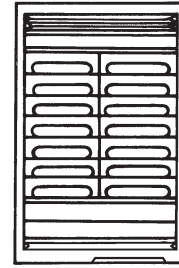
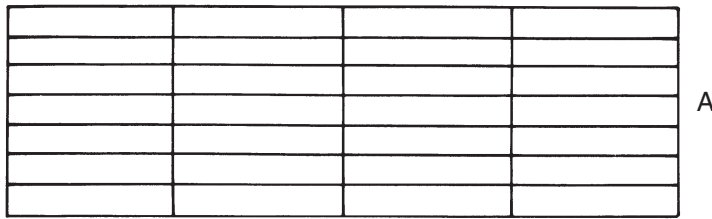
Gas Type G20 (Natural Gas)



Pilot Flame Size & Spark Gap

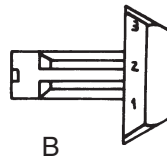
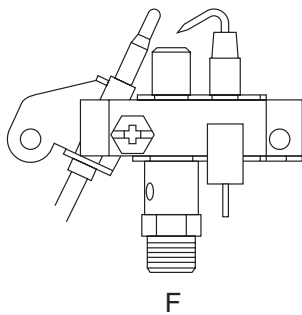


Short Parts List



J

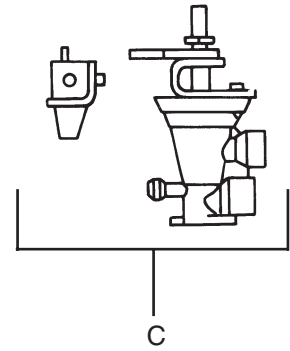
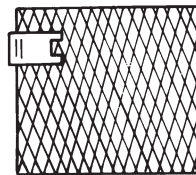
E



B

D

F



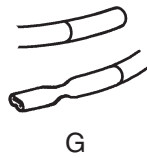
H

Ca

C



K



G

BAXI BERMUDA PW5 DELUXE

BAXI BERMUDA C5 / C5W

Key N°	Description	G.C. N°	Manufact's Part N°
A	Dressguard	155 693	043036
B	Knob - Gas Tap Control	E00-108	238034
C	Tap - Fire Control & Piezo Unit TESA 2631	E00-107	238967
D	Injector - 170S	155 704	043034
E	Burner	E00-116	237854
F	Pilot / ASD Assembly	E00-109	236916
G	Lead - Electrode	E00-110	237840
H	Arrester - Lint	156 375	042779
J	Radiant	E00-129	237851
K	Pilot Filter	205 723	082412

Key N°	Description	G.C. N°	Manufact's Part N°
A	Dressguard	155 693	043036
B	Knob - Gas Tap Control	156 317	232705
Ca	Tap - Fire Control & Piezo Unit	E00-115	249763
D	Injector - C06	E00-131	238270
E	Burner	E00-116	237854
F	Pilot / ASD Assembly	E00-113	238037
G	Lead - Electrode 280mm	E00-117	250022
H	Arrester - Lint	156 375	042779
J	Radiant	E00-129	237851
K	Pilot Filter	205 723	082412

Renewal Firefront

It is important that the existing installation is correct and that the flue is performing satisfactorily. Any remedial work necessary should be completed before the new appliance is commissioned and the boiler should be serviced before firefront is installed.

WARNING: Renewal firefronts are fitted with an Atmospheric Sensing Device (A.S.D.). If they are installed in conjunction with a boiler NOT fitted with an A.S.D. (i.e. 401, 552, 45/3 & 57/3), under adverse flue conditions the boiler WILL NOT shut down.

Additional Installation Instructions

PW5 Deluxe Renewal	G.C.N° 37 075 10A
C5W Renewal (Oak)	G.C.N° 37 075 08A
C5 Renewal	G.C.N° 37 077 07A

The kit supplied with Renewal appliances provides all the necessary components to fit a Baxi Bermuda firefront to the following Bermuda Boilers.

The Renewal Fires may be used with the following Boilers:

Bermuda 401	G.C.N° 44 077 49
Bermuda 552	G.C.N° 44 077 50
Bermuda 45/3 M	G.C.N° 44 077 61
Bermuda 45/3 E	G.C.N° 44 077 60
Bermuda 57/3 M	G.C.N° 44 077 63
Bermuda 57/3 E	G.C.N° 44 077 62
Bermuda 45/4 M	G.C.N° 44 077 71
Bermuda 45/4 E	G.C.N° 44 077 73
Bermuda 57/4 M	G.C.N° 44 077 72
Bermuda 57/4 E	G.C.N° 44 077 74
Bermuda 51/5	G.C.N° 44 075 06

Existing Fire

REMOVING THE EXISTING FIRE

Isolate the gas and electrical supply, including any permanent live, to the combined appliance.

Remove the controls cover panel from the front of the fire.

Remove the tap control knob. Disconnect the electrical socket from the fire plug if fitted. Remove the screws securing the outercase to the innercase. Lift off the outercase.

Turn the gas service tap to the "Boiler only" position by turning $\frac{1}{4}$ turn clockwise.

Remove the radiants if fitted.

Disconnect the supply pipe at the fire inlet.

Remove any screws securing the fire to the wall. Pull the fire forward until the flue spigot is clear of the boiler hood and lift away.

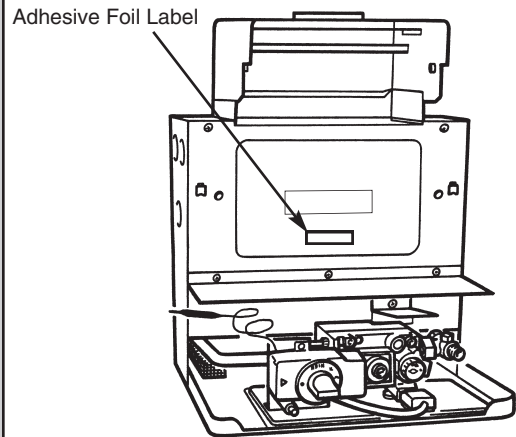
Remove and discard the fire supply pipe from the service gas tap. Disconnect and discard any electrical wiring between the boiler input terminal and the fire.

If the fire is wall mounted remove and discard the existing support frame.(Bermuda 401 only) retain the two support brackets. These will be needed in wall mounting the renewal fire.

If the fire is hearth mounted ensure that the base of the builders opening and the front hearth are at the same level.

Refer to "Site Requirements" (page 4) and prepare the wall surface to the dimensions described.

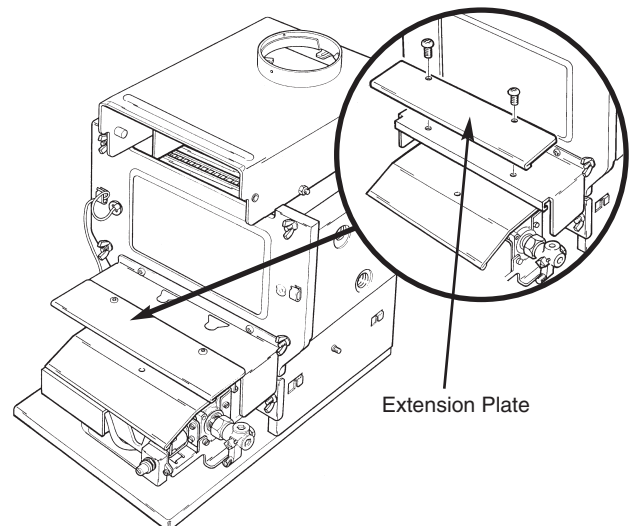
BERMUDA 401 & 552



401 & 552

Check the data badge on the back boiler. If the boiler internal wiring is not depicted, take the foil label from the kit and attach it below the data badge on the boiler front door.

BERMUDA 45/3, 57/3, 45/4, 57/4 & 51/5



If a radiant firefront has not been installed previously it will be necessary to fit the extension plate to the boiler controls heat shield.

WALL FIXING

Two wall fixing plates are supplied in the Renewal Kit, one for Bermuda 401/552 and one for Bermuda 45/3, 57/3, 45/4, 57/4 & 51/5.

BERMUDA 401 & 552

Take the fire support plate from the fire unit packaging and loosely attach it beneath the boiler base protruding from the fireplace opening using the M5 nuts and screws provided. Use the centre group of holes at each side.

NOTE: If the fire is being used with a Bermuda 401 boiler unit, the support brackets from the previous plate must be fitted before the fire support plate can be fixed in place.

Push the support plate backwards until it touches the surround or wall face and tighten the screws to lock it in position.

BERMUDA 45/3, 57/3, 45/4, 57/4 & 51/5

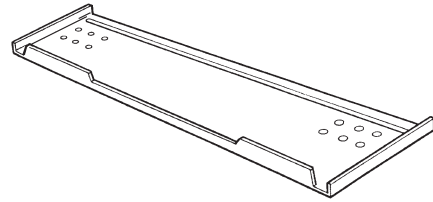
Take the fire support plate from the fire unit packaging and loosely attach it above the boiler base protruding from the fireplace opening using the screws provided. Use the slots at each side.

Push the support plate backwards until it touches the surround or wall face and tighten the screws to lock it in position.

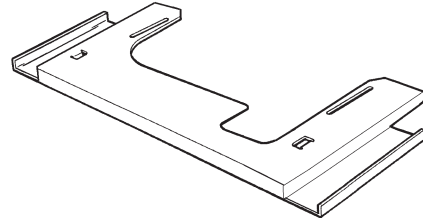
FIRE SUPPLY PIPE

Two fire supply pipes are supplied in the Renewal Kit, one for Bermuda 401 & 552 and one for Bermuda 45/3, 57/3, 45/4, 57/4 & 51/5. The smaller (6mm) diameter one is for Bermuda 45/3, 57/3, 45/4, 57/4 & 51/5 installations.

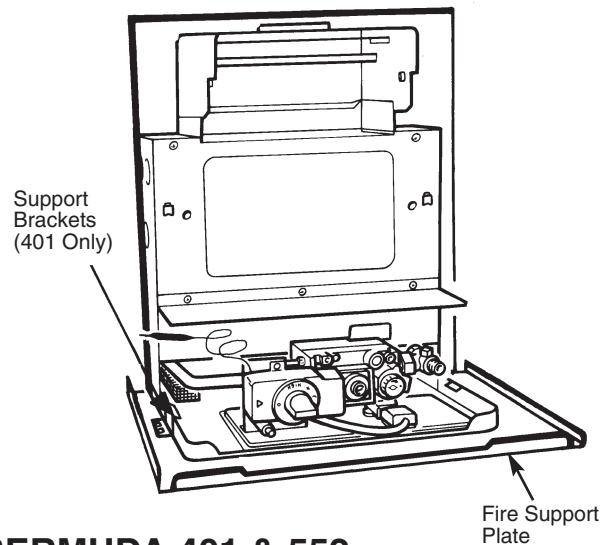
TO CONTINUE FITTING THE FIREFRONT REFER TO THE INSTALLATION CHAPTER OF THESE INSTRUCTIONS.



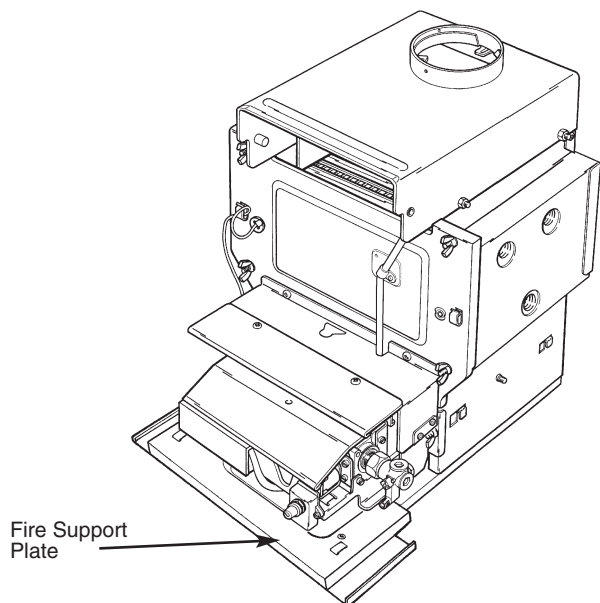
Fire Support Plate - Bermuda 401 & 552



Fire Support Plate - Bermuda 45/3, 57/3, 45/4, 57/4 & 51/5



BERMUDA 401 & 552



Bermuda 57/4 Illustrated

BERMUDA 45/3 & 57/3, 45/4, 57/4 & 51/5

Supplementary Instructions

BERMUDA C5 Propane G.C.N° 37 077 74

Bermuda C5W (Mahogany) Propane G.C.N° 37 075 17

Gas Type G31

The following spare components differ from Natural Gas models.

Description	G.C.N°	Manufact'rs Part N°
Injector - Fire - CO7	E00-130	238274
Pilot / ASD Assy	E00-114	238038

This section details the differences between Natural Gas and Propane models.

Propane firefronts are only suitable for use with Bermuda 553 Propane Back Boiler appliances. The instructions supplied with the back boiler contain details of gas supply requirements and electrical connections.

All site requirements and installation details can be found earlier in this booklet.

Heat Input (Gross)	4.25kW (14,500 Btu / h)
Gas Group	G31 (Propane)
Injector Marking	CO7
Supply Pressure	37.0mbar (14.8 in wg)

Pilot Shield Brackets

Before fitting the outercase it is essential to fit the pilot shield brackets provided in the installation kit. The brackets fit to the rear of the lower front panel and are secured using the No.8 x $\frac{3}{8}$ self tapping screws supplied (See diagram).

Propane appliances can be converted to operate on Natural Gas if required.
A conversion kit is available, Baxi Part No 247064.

Bermuda C5W Mahogany Propane
(G.C.No. 37 075 17)

Bermuda C5 Propane
(G.C.No. 37 077 74)

