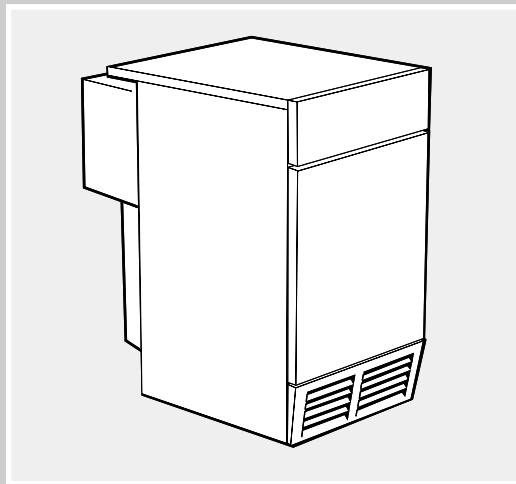


# THE IDEAL INSTALLATION & SERVICING MANUAL



*mexico*

the floor standing boiler

Floor standing,  
gas fired, balanced flue,  
room sealed boiler

**Mexico Super**  
RS3/40 - 3/80

*i* BOILERS *Ideal*

# *Mexico:*

## *The Floor Standing Gas Boiler*

The Ideal Mexico is a range of cast iron floor standing gas central heating boilers. Both balanced or conventional flue versions are available. A complete range of both natural gas and propane models. The range offers Super models and, for when space is tight, there are Slimline models available.

### *Mexico: Britain's biggest selling floor standing boiler*

#### *The ideal replacement boiler...*

Easy to install, easy to operate and easy to service. The Ideal Mexico really is the ultimate replacement floor standing range - you can depend on it.

#### *Proven reliability...*

Proven cast iron heat exchanger engineered and refined to be the most dependable floor standing boiler ensuring totally calm operation and quiet running, whatever the system demands.

#### *Complete range...*

27 models, including 4 Slimline models at only 250mm wide and 8 propane Super models. Option kit availability includes an easy to use programmer kit available on all models, an overheat thermostat kit for all models and a pump kit that can be housed within the casing, available for all models except the Super CF 3/140 & CF 3/140P.

#### *Full system suitability...*

All models are suitable for connection to pumped open vent central heating systems, pumped central heating combined with pumped or gravity indirect domestic hot water supply systems. They can also be used on sealed water systems when used in conjunction with the optional Overheat Thermostat Kit.

#### *Free Guarantee: 1st Year Ideal Care*

The home owner is entitled to 12 months free Ideal Care, which includes both parts and labour, to restore the boiler to full function. Please encourage the home owner to complete and return the registration form in their Householder's pack within 30 days of installation.

#### *Optional Extra Year Cover with Ideal Care*

You may wish to offer your own annual service plan or you may wish to advise the home owner to complete their application form for the appropriate level of extended Ideal Care - Silver, Gold or Platinum. Full details are available in the Ideal Care brochure.

**CAUTION. To avoid the possibility of injury during the installation, servicing or cleaning of this appliance, care should be taken when handling edges of sheet steel components.**

# GENERAL

**Table 1 - General Data**

Boiler Size		RS 3/40	RS 3/50	RS 3/60	RS 3/70	RS 3/80
Gas Supply Connection	in. BSP	Rc 1/2 (1/2)				
Number of Boiler Sections		2	3	3	3	3
Flow and Return Connections		Rc 1 (1" BSP)				
MAXIMUM Static Water Head	m (ft.)	30.5 (100) (3 bar)				
MINIMUM Static Water Head	m (ft.)	1.0 (3.3)				
Electrical Supply		230 V ~50 Hz				
External Fuse Rating(Power Consumption)		3 A (5 W)				
Water Content	litre (gal.)	5.0 (1.1)	7.4 (1.6)			
Dry Weight	kg. (lb.)	68 (150)	90 (198)			
Boiler Size	Height			850 (33.5)		
	Width			440. (17.4)		
	Depth			533 (21.0)		
Gas Type		Natural 2 H				
Gas Supply Pressure		20 mb				

**Table 2 - Performance Data**

Boiler Size		RS 3/40	RS 3/50	RS 3/60	RS 3/70	RS 3/80
<b>Boiler Input</b>						
MINIMUM	kW (Btu/h)	11.3 ( 38 500)	15.1 (51 500)	18.5 (63 300)	22.2 (75 900)	26.2 (89 500)
Gas Consumption	l/s (ft. <sup>3</sup> /h)	0.29 (37.0)	0.39 (49.4)	0.48 (60.5)	0.57 (73)	0.68 (86)
MID	kW (Btu/h)	13.0 (44 200)	16.7 (56 800)	20.3 (69 200)	24.0 (81 900)	27.9 (95 200)
Gas Consumption	l/s (ft. <sup>3</sup> /h)	0.34 (42.6)	0.43 (54.7)	0.52 (65.8)	0.62 (79)	0.72 (92)
MAXIMUM	kW (Btu/h)	14.7 (50 300)	18.4 (62 600)	21.9 (74 800)	25.7 (87 700)	29.8 (101 700)
Gas Consumption	l/s (ft. <sup>3</sup> /h)	0.38 (48.1)	0.48 (60.2)	0.57 (71.7)	0.66 (84)	0.77 (98)
<b>Boiler Output to Water</b>						
MINIMUM	kW (Btu/h)	8.8 (30 000)	11.7 (40 000)	14.7 (50 000)	17.6 (60 000)	20.5 (70 000)
MID	kW (Btu/h)	10.3 (35 000)	13.2 (45 000)	16.1 (55 000)	19.1 (65 000)	22.0 (75 000)
MAXIMUM	kW (Btu/h)	11.7 (40 000)	14.7 (50 000)	17.6 (60 000)	20.5 (70 000)	23.4 (80 000)
<b>Burner Setting Pressure (hot)</b>						
MINIMUM	mbar (in w.g.)	6.2 (2.5)	8.4 (3.4)	9.5 (3.8)	8.8 (3.5)	11.2 (4.5)
MID	mbar (in w.g.)	8.0 (3.2)	10.4 (4.2)	11.3 (4.5)	10.3 (4.1)	12.6 (5.0)
MAXIMUM	mbar (in w.g.)	10.6 (4.2)	12.7 (5.1)	13.1 (5.2)	11.9 (4.8)	14.2 (5.7)
Flue Gas Flow Rate	g/s	6.9	8.6	10.3	12.1	14.0
Flue Gas Temperature	°C	138	142	129	118	173
*Seasonal Efficiency	(SEDBUK) %	72.7	71.7	73.6	72.5	72.1

\*The value is used in the UK government's Standard Assessment Procedure (SAP) for energy rating of dwellings.  
The test data from which it has been calculated have been certified by BGplc 0087.

**Note.**

Gas consumption is calculated using a calorific value of 38.7 MJ/m<sup>3</sup> (1038 Btu/ft<sup>3</sup>) gross or 34.9 MJ/m<sup>3</sup> (935 Btu/ft<sup>3</sup>) nett.  
To obtain the gas consumption at a different calorific value:-

- a. For l/s - divide the gross heat input (kW) by the gross C.V. of the gas (MJ/m<sup>3</sup>)
- b. For ft<sup>3</sup>/h - divide the gross heat input (Btu/h) by the gross C.V. of the gas (Btu/ft<sup>3</sup>)
- c. The appliance is pre-set at the factory to the highest nominal rating.

**Key to symbols**

- IE** = Ireland **GB** = United Kingdom (Countries of destination)  
**PMS** = Maximum operating pressure of water  
**C<sub>11</sub>** = A room sealed appliance designed for connection via ducts to a horizontal terminal, which admits fresh air to the burner and discharges the products of combustion to the outside without a fan in the combustion products circuit.  
**I<sub>2H</sub>** = An appliance designed for use on 2nd Family gas, Group H only.

## GENERAL

### CONTENTS

Air Supply .....	7
Boiler Assembly - Exploded view .....	9
Boiler Clearances .....	6
Burner Assembly - Exploded view .....	31
Electrical Connections .....	15
Electrical Diagram .....	16
Electrical Supply .....	8
Extension Ducts - Fitting .....	14
Fault Finding .....	28
Flue Fitting .....	13
Flue Installation .....	7
Gas Safety Regulations .....	5
Gas Supply .....	7
Initial Lighting .....	19
Installation .....	9
Mandatory Requirements .....	5
Pump .....	15
Servicing .....	21
Short List of Parts .....	29
System Diagrams (Electrical) .....	17
Terminal Guards .....	7
Terminal Sizes .....	6
Water Connections .....	5 & 14
Water Systems .....	15

### *Mexico Super RS*

Mexico Super	RS 3/40	G.C. No. 41 349 27
Mexico Super	RS 3/50	G.C. No. 41 349 28
Mexico Super	RS 3/60	G.C. No. 41 349 29
Mexico Super	RS 3/70	G.C. No. 41 349 30
Mexico Super	RS 3/80	G.C. No. 41 349 31

Natural Gas only                      Appliance type: C<sub>11</sub>

Certified - P.I. No. 87 AT 14

Destination Countries: GB & IE.

### INTRODUCTION

**Mexico Super RS** range is of floor standing, natural draught, balanced flue gas boilers. They are range-rated to provide central heating outputs of 8.8 kW (30,000 Btu/h) to 23.4 kW (80,000 Btu/h).

The boiler has a cast iron heat exchanger and is supplied fully assembled, complete with a white enamelled mild steel casing.

A door at the top of the casing front panel hinges down, revealing the boiler thermostat control (and programmer, if fitted).

The boilers are suitable, as standard, for connection to open-vented systems ONLY - an overheat thermostat kit is available to allow the boiler to be used on sealed water systems.

The systems may be:

- pumped or gravity circulating indirect DHW only
- pumped central heating only
- pumped central heating combined with either a pumped or gravity circulating indirect DHW circuit.

### OPTIONAL EXTRA KITS

**Programmer Kit**                      Fits neatly within the casing. Separate fitting instructions are included with this kit.

**Pump Kit**                              Fits neatly within the casing. Separate fitting instructions are included with this kit.

**Overheat Thermostat Kit**                      Available to allow the boiler to be used on sealed water systems.


**NOTE TO THE INSTALLER: LEAVE THESE INSTRUCTIONS ADJACENT TO THE GAS METER. ALSO COMPLETE THE BENCHMARK LOG BOOK AND GIVE THIS TO THE CUSTOMER.**



# GENERAL

## GAS SAFETY

### Gas Safety (Installation and Use) Regulations 1994, amendments 1996 or rules in force.

It is law that *all* gas appliances are installed by a CORGI registered installer (identified by ) in accordance with the above regulations. Failure to install appliances correctly could lead to prosecution. It is in your own interest, and that of safety, to ensure the law is complied with.

The installation of the boiler MUST also be in accordance with the latest I.E.E (BS 7671) Wiring Regulations, local building regulations, bylaws of the local water authority, the Building Regulations and Building Standards (Scotland) and any relevant requirements of the local authority.

Detailed recommendations are contained in the following British Standard Codes of Practice:

- BS. 6891 Low pressure installation pipes.
- BS. 6798 Installation of gas fired hot water boilers of rated input not exceeding 60 kW.
- BS. 5449:1 Forced circulation hot water systems (small bore and microbore domestic central heating systems).
- BS. 5546 Installation of gas hot water supplies for domestic purposes (2nd Family Gases).
- BS. 5440: 1 Flues for gas appliances of rated input not exceeding 60 kW.
- BS. 5440: 2 Ventilation for gas appliances of rated input not exceeding 60 kW.
- BS 7593 Treatment of water in Domestic Hot Water Central Heating Systems.

Health and Safety Document No. 635.

The Electricity at Work Regulations, 1989.

Manufacturer's notes must NOT be taken in any way as overriding statutory obligations.

**IMPORTANT.** These appliances are certificated by the British Standards Institution for safety and performance. It is important, therefore, that no external control devices, e.g. flue dampers, economisers etc., are directly connected to these appliances unless covered by these Installation and Servicing Instructions or otherwise recommended by **Caradon Plumbing Limited** in writing. If in doubt please enquire.

Any direct connection of a control device not approved by **Caradon Plumbing Limited** could invalidate the BSI Certification and the normal appliance warranty. It could also infringe the Gas Safety Regulations and the above regulations or other statutory requirements.

## LOCATION OF BOILER

The boiler must be installed on a flat and level floor, capable of adequately supporting the weight of the boiler and any ancillary equipment.

The boiler may be fitted on a combustible floor.

Insulation is not necessary, unless required by the local authority.

**The boiler must not be fitted outside.**

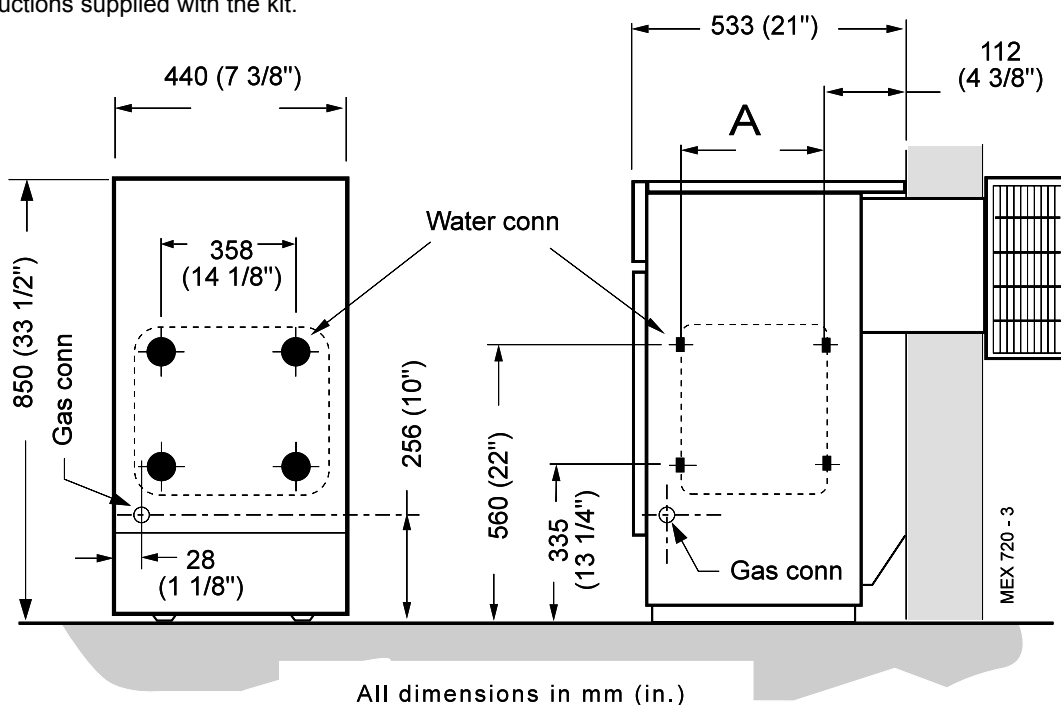
### Timber Framed Buildings

If the boiler is to be fitted in a timber framed building it should be fitted in accordance with the Institute of Gas Engineering document IGE/UP/7:1998.

## 1 BOILER WATER CONNECTIONS

1. This appliance is NOT suitable for use in a direct hot water system.
2. If the boiler is to be used on a sealed system, an Overheat Thermostat Kit is available and must be installed in accordance with the instructions supplied with the kit.

Boiler	Dimension A
RS 3/40	152mm (6")
RS 3/50 / 3/60 RS 3/70 / 3/80	226mm (8 7/8")



# GENERAL

## Bathrooms

The boiler may be installed in any room or internal space, although particular attention is drawn to the requirements of the current I.E.E. (BS 7671) Wiring Regulations and, in Scotland, the electrical provisions of the building regulations applicable in Scotland with respect to the installation of the boiler in a room or internal space containing a bath or shower.

Where a room-sealed appliance is installed in a room containing a bath or shower then the appliance and any electrical switch or appliance control utilising mains electricity should be so situated that it cannot be touched by a person using the bath or shower.

Where installation will be in an unusual location, special procedures may be necessary and BS.6798 gives detailed guidance on this aspect.

## Compartment Installations

A compartment used to enclose the boiler MUST be designed and constructed specially for this purpose.

An existing cupboard or compartment may be used, providing it

is modified for the purpose.

In both cases details of essential features of cupboards/compartment design, including airing cupboard installation, are to conform to the following:

- BS. 6798.
- The position selected for installation MUST allow adequate space for servicing in front of the boiler and for air circulation around the boiler.

Side clearance is only necessary for installation. The amount of side clearance will depend upon the type of connection used.

- This position MUST also permit the provision of a satisfactory flue termination.
- For the minimum clearances required for safety, and subsequent service, see Frame 2.

## 2 FLOOR MOUNTING AND BOILER CLEARANCES

*Flammable materials must not be placed in close proximity to the appliance. Materials giving off flammable vapours must not be stored in the same room as the appliance.*

### Floor mounting

1. The floor must be flat, level and of suitable load bearing capacity.
2. The back of the boiler may be fitted up to the wall.

### Boiler clearances

The minimum overall dimensions of the space in which the boiler is to operate and to facilitate servicing are as follows:-

Boiler Size	Width	Depth	Height
RS 3/40, RS 3/50, RS 3/60, RS 3/70, RS 3/80	460 mm (18")	533 mm (21")	870 mm (34 1/4")

Additional space will be required for installation, depending upon site conditions.

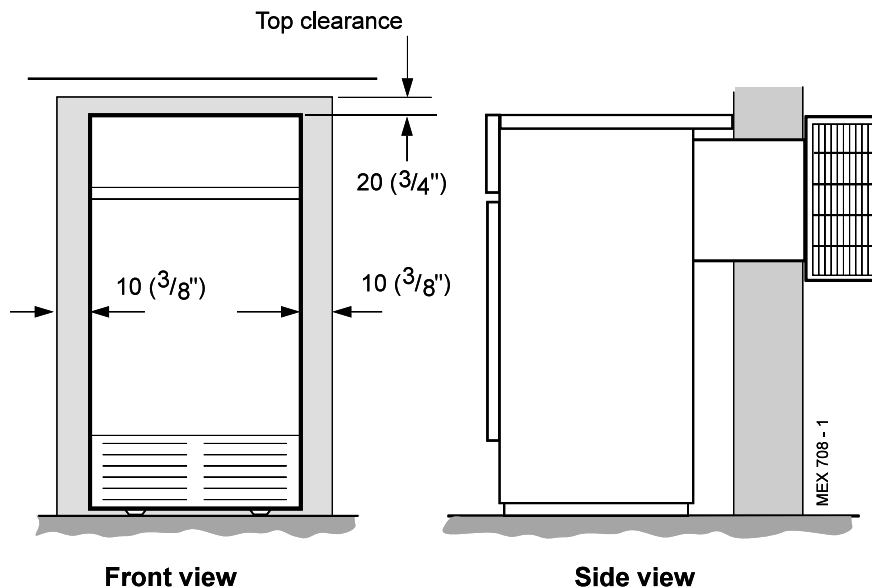
### IMPORTANT.

In order to facilitate gas connection, a clearance of at least 100 mm (4") must be available at either the left hand side or the right hand side DURING installation. Refer to Frame 5.

In addition a MINIMUM clearance of 533 mm (21") MUST be available at the front of the boiler, for servicing.

### Terminal sizes

Boiler Size	Depth	Height	Width
RS 3/40, RS 3/50, RS 3/60,	107	198	281
RS 3/70,	152	338	372
RS 3/80	167	392	372



# GENERAL

## GAS SUPPLY

The local gas supplier should be consulted, at the installation planning stage, in order to establish the availability of an adequate supply of gas. An existing service pipe must NOT be used without prior consultation with the local gas supplier.

The boiler is to be installed only on a gas supply with a governed meter.

A gas meter can only be connected by the local gas supplier or by a local regional contractor.

Check that the appliance is suitable for the proposed gas supply. An existing meter should be checked, preferably by the gas supplier, to ensure that the meter is adequate to deal with the rate of gas supply required. A **minimum** gas pressure of 20 mbar MUST be available at the boiler inlet, with the boiler operating.

Installation pipes MUST be fitted in accordance with BS. 6891. Pipework from the meter to the boiler MUST be of an adequate size.

The complete installation MUST be tested for gas soundness and purged as described in the above code.

## FLUE INSTALLATION

Some plumbing may occur at the termination so terminal positions where this could cause a nuisance should be avoided.

The flue must be installed in accordance with the recommendations of BS. 5440:1.

The following notes are intended for general guidance:-

1. The boiler MUST be installed so that the terminal is exposed to external air.
2. It is important that the position of the terminal allows the free passage of air across it at all times.
3. Minimum acceptable spacing from the terminal to obstructions and ventilation openings are specified in Table 3.
4. Where the lowest part of the terminal is fitted less than 2m

**Table 3 - Balanced flue terminal position**

Terminal Position	Minimum Spacing
1. Directly below an opening window, air vent or other ventilation opening	300 mm (12")
2. Below guttering, drain pipes or soil pipes	300 mm (12")
3. Below eaves	300 mm (12")
4. Below balconies or a car port roof	600 mm (24")
5. From vertical drain pipes or soil pipes	75 mm (3")
6. From internal or external corners	600 mm (24")
7. Above adjacent ground, roof or balcony level	300 mm (12")
8. From a surface facing the terminal	600 mm (24")
9. From a terminal facing a terminal	600 mm (24")
10. From an opening in a car port (e.g. door or window) into dwelling	1200 mm (48")
11. Vertically from a terminal on the same wall	1500 mm (60")
12. Horizontally from a terminal on the wall	300 mm (12")

(6' 6") above a balcony, above ground or above a flat roof to which people have access then the terminal MUST be protected by a purpose designed guard.

Terminals guards are available from boiler suppliers. In case of difficulty seek advice from:

Tower Flue Components Ltd.,  
Vale Rise, Tonbridge, Kent TN9 1TB  
Telephone No. 01732 351 555

Ensure that the guard is fitted centrally

5. Where the terminal is fitted within 1000mm (39 1/2") of a plastic or painted gutter or 500mm (19 1/2") of painted eaves then an aluminium shield at least 1000mm (39 1/2") long should be fitted to the underside of the gutter or painted surface.
6. The air inlet/products outlet duct and the terminal of the boiler MUST NOT be closer than 25mm (1") to combustible material. Detailed recommendations on the protection of combustible material are given in BS.5440: 1990.

## IMPORTANT.

It is absolutely ESSENTIAL to ensure, in practice, that products of combustion discharging from the terminal cannot re-enter the building or any other adjacent building through ventilators, windows, doors, other sources of natural air infiltration or forced ventilation/air conditioning. If this should occur, the appliance MUST be turned OFF, labelled 'unsafe' and corrective action taken.

## TERMINAL

The terminal assembly can be adapted to accommodate various wall thicknesses. Refer to Frames 9 and 10.

## AIR SUPPLY

Detailed recommendations for air supply are given in BS.5440:2. The following notes are for general guidance:

1. It is NOT necessary to have a purpose provided air vent in the room or internal space in which the boiler is installed.
2. If the boiler is to be installed in a cupboard or compartment, permanent air vents are required (for cooling purposes) in the cupboard/compartment, at both high and low levels. The air vents must either communicate with room/internal space, or be direct to outside air. The minimum effective areas of the permanent air vents, required in the cupboard/compartment, are specified as follows and are related to maximum rated heat input.
3. Both air vents MUST communicate with the same room or internal space or MUST be on the same wall to outside air.
4. In siting the air vents care must be taken to avoid the freezing of pipework.

**Table 4 - High and low vent areas**

Boiler	Air from room/internal space cm <sup>2</sup> (in. <sup>2</sup> )		Air direct from outside cm <sup>2</sup> (in. <sup>2</sup> )	
	High level	Low level	High level	Low level
RS 3/40	143 (23)	143 (23)	72 (12)	72 (12)
RS 3/50	173 (27)	173 (27)	87 (14)	87 (14)
RS 3/60	208 (33)	208 (33)	104 (17)	104 (17)
RS 3/70	245 (38)	245 (38)	123 (19)	123 (19)
RS 3/80	282 (44)	282 (44)	141 (22)	141 (22)

# GENERAL

## WATER CIRCULATION SYSTEM

The boiler must NOT be used for direct hot water supply. The boiler is suitable for connection to pumped open vent central heating systems, pumped central heating combined with pumped or gravity indirect domestic hot water supply systems.

The boiler is NOT suitable for gravity heating systems. The hydraulic resistance of the boilers at *maximum output* with 11 °C (20 °F) temperature differentials are shown in the graph below.

The central heating system should be in accordance with BS. 6798 and, in addition, for smallbore and microbore systems, BS. 5449:1.

The domestic hot water system, if applicable, should be in accordance with the relevant recommendations of BS. 5546.

Copper tubing to BS. 2871:1 is recommended for water carrying pipework.

The hot water storage cylinder MUST be of the indirect type and should preferably be manufactured of copper.

Single feed, indirect cylinders are not recommended and MUST NOT be used on sealed systems.

The hot water cylinder and ancillary pipework not forming part of the useful heating surface should be lagged to prevent heat loss and any possible freezing - particularly where pipes run through roof spaces and ventilated underfloor spaces.

### IMPORTANT

The boiler must be vented. If venting cannot be done via a flow connection a separate vent MUST be fitted by the installer.

Draining taps MUST be located in accessible positions, which permit the draining of the whole system - including the boiler and hot water storage vessel. They should be at least 1/2" BSP nominal size and be in accordance with BS. 2879.

If required, a drain tap (not supplied) may be fitted to an unused bottom (1" BSP) tapping on the front of the boiler.

## THERMOSTATIC RADIATOR VALVES

**Caradon Plumbing Limited** recommend that heating systems utilising full thermostatic radiator valve control of temperature in individual rooms should also be fitted with a room thermostat controlling the temperature in a space served by radiators not fitted with such a valve, as stated in BS. 5449.

When thermostatic radiator valves are used, the space heating temperature control over a living / dining area or hallway having a heating requirement of at least 10% of the boiler heat output should be achieved using a room thermostat, whilst other rooms are individually controlled by thermostatic radiator valves. However, if the system employs thermostatic radiator valves on all radiators or two port valves without end switches then a bypass must be fitted in order to ensure a flow of water should all the valves be in the closed position.

## ELECTRICAL SUPPLY

**WARNING.** The appliance MUST be efficiently earthed.

Wiring external to the appliance MUST be in accordance with the current I.E.E. (BS 7671) Wiring Regulations and any local regulations which apply.

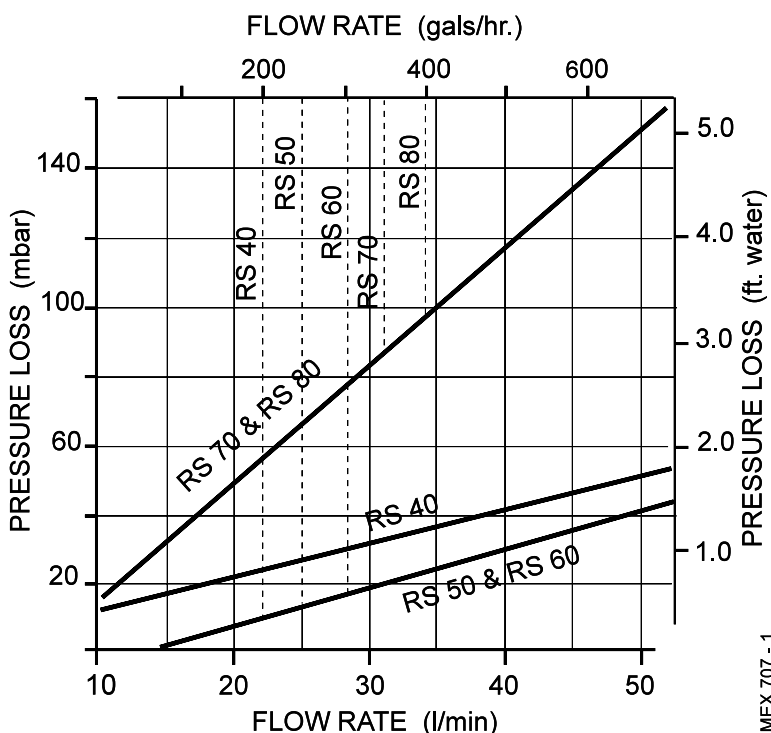
The boiler is supplied for 230 V ~ 50 Hz single phase. The fuse rating is 3A.

Connection must be made in a way that allows complete isolation of the electrical supply - such as a double pole switch, having a 3mm (1/8") contact separation in both poles, or a plug and socket serving only the boiler and system controls.

The means of isolation must be accessible to the user after installation.

For bathroom installations the point of connection to the mains must be situated outside the bathroom.

## Water Flow Rate and Pressure Loss



Dotted lines indicate flow rates equivalent to a temperature rise of 11 °C (20 °F)

MEX707 - 1

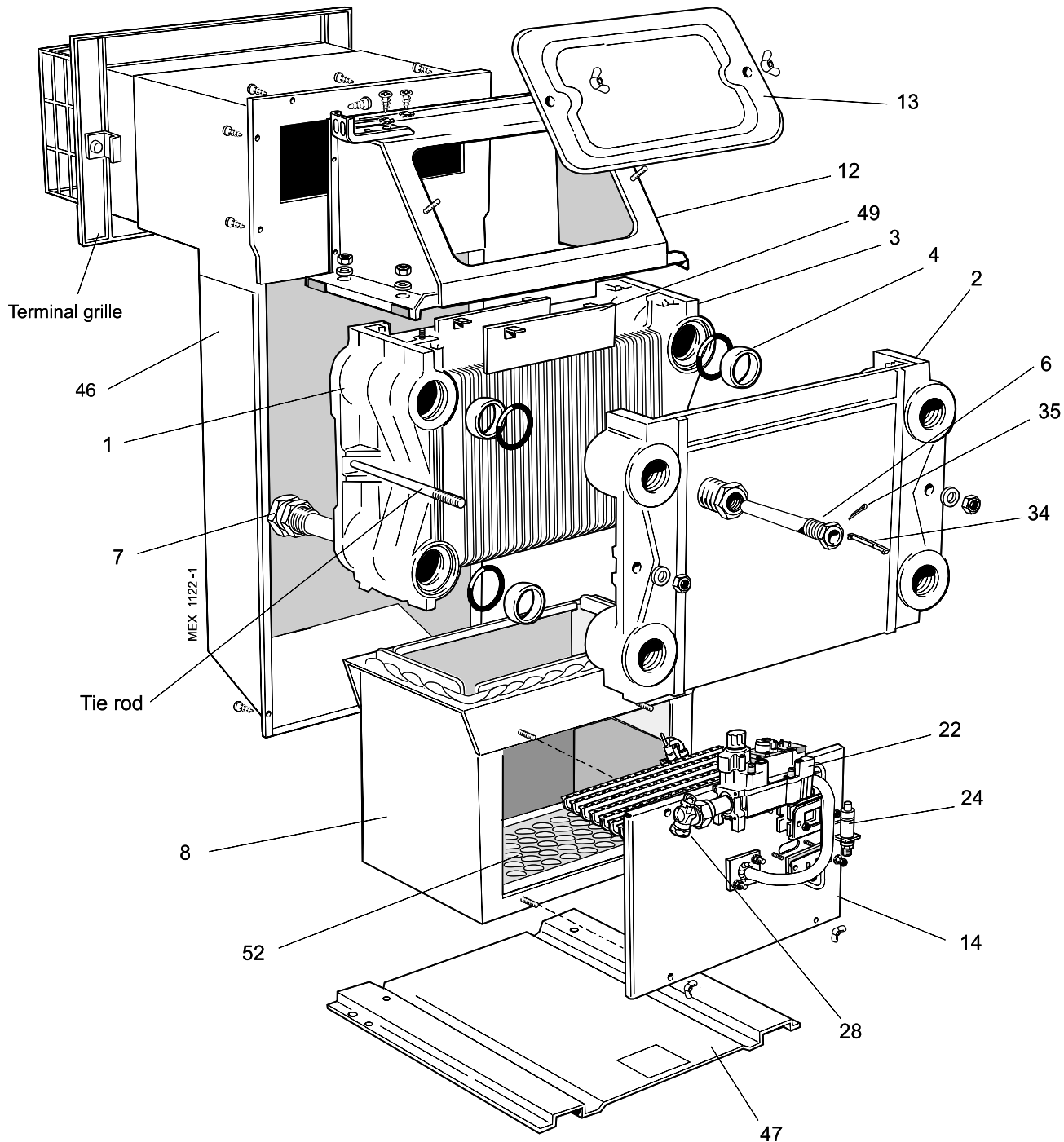


# INSTALLATION

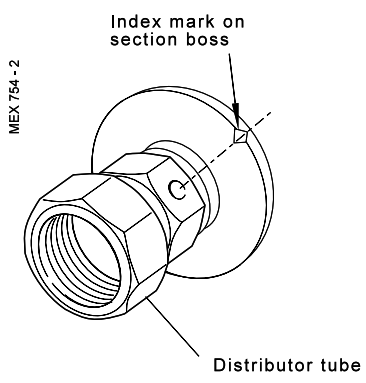
## 3 BOILER ASSEMBLY - Exploded View

Mexico Super RS with casing removed.

INSTALLATION



### Detail of distributor tube alignment



### LEGEND

- |   |                         |
|---|-------------------------|
| 1. Heat exchanger assy.                   | 14. Front plate.        |
| 2. Front section.                         | 22. Gas control valve.  |
| 3. Middle section.                        | 24. Piezo unit.         |
| 4. Section alignment rings and 'O' rings. | 28. Gas cock.           |
| 6. Thermostat pocket.                     | 34. Phial clip.         |
| 7. Distributor tube.                      | 35. Split pin.          |
| 8. Combustion chamber.                    | 46. Air/flue duct assy. |
| 12. Collector hood.                       | 47. Baseplate.          |
| 13. Cleanout cover.                       | 49. Flue baffle.        |
|   | 52. Heat shield.        |

# INSTALLATION

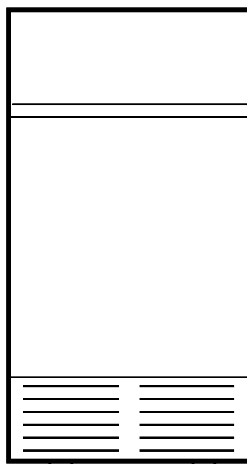
## 4 UNPACKING

The boiler is supplied fully assembled in Pack A, together with either one or two of four packs: **B, B1, C** or **D**. Packs **B, B1** or **C** contain the flue terminal appropriate to the wall thickness. **Pack D** contains the flue terminal extensions.

Unpack and check the contents.

### PACK 'A' CONTENTS

- complete boiler assembly
- the Hardware Pack (listed separately below)
- these Installation and Servicing Instructions
- User's Instructions.

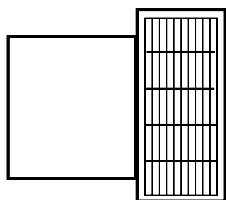


complete boiler assembly

### FLUE PACKS

#### Packs B, B1 and C contents

- Flue terminal assembly

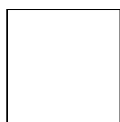


- Sachet of sealing mastic - 2 off



#### Pack D contents

- Flue terminal extension



- Sachet of sealing mastic - 2 off

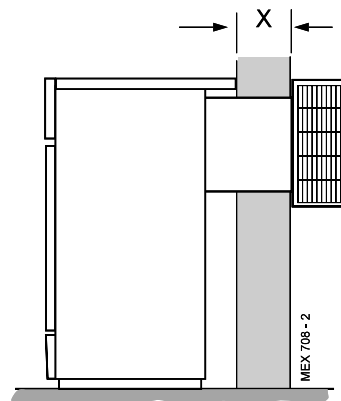
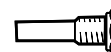
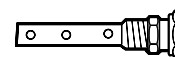


- Adhesive tape



### HARDWARE PACK

- 1" BSP plugs - 6 off
- 1" x 1/2" BSP reducing bush - 1 off
- Distributor tube
- Thermostat pocket - 1 off
- Thermostat clip (RS 3/50, RS 3/60, RS 3/70 & RS 3/80 only) - 1 off
- Thermostat retaining pin - 1 off
- Output setting label - 1 off



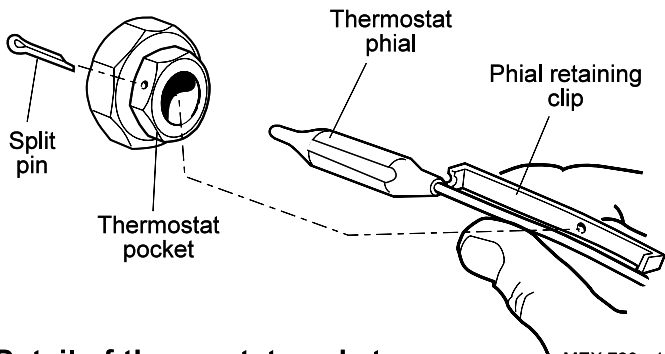
**Table 6. This table shows the number of flue packs required for the given wall thicknesses**

Wall thickness		Flue pack(s) required
Dimension (duct length) X shown above		
Boiler fitted flush with wall	Boiler fitted in line with 600 mm kitchen units	
114 to 191 mm (4 1/2" to 7 1/2")	up to 125 mm (up to 5")	<b>C</b>
229 to 305 mm (9" to 12")	163 to 242 mm (6 1/2" to 9 1/2")	<b>B</b>
318 to 394 mm (12 1/2" to 15 1/2")	253 to 332 mm (10" to 13")	<b>B1</b>
406 to 584 mm (16" to 23")	340 to 518 mm (13 1/2" to 20 1/2")	<b>B &amp; D</b>

## 5 BOILER CASING REMOVAL

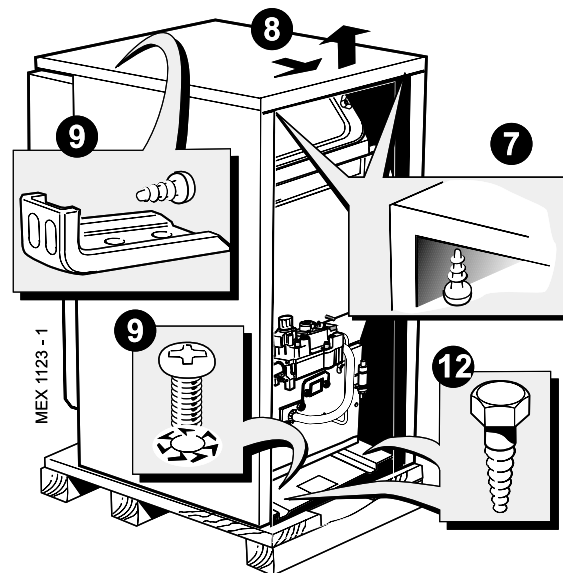
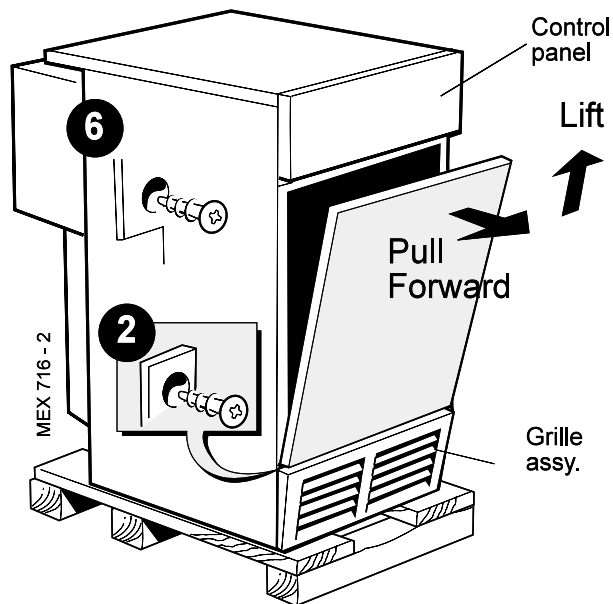
To install the boiler the casing **MUST** be removed.

1. Lift off the lower front panel.
2. Remove 2 screws and lift off the grille assembly.
3. Remove the gas valve cover by removing the retaining screw. Disconnect the electrical leads.
4. Release the gas valve lead from the retaining clip.
5. Remove the thermostat phial from the pocket as shown.



### Detail of thermostat pocket

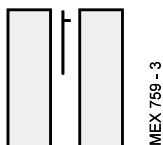
6. Remove the 2 screws securing the control panel and disengage the panel by lowering and pulling it forward.
7. Remove the 2 screws securing the top panel to the side.
8. Draw the top panel forward and lift it off the boiler.
9. Remove the 2 screws securing the LH side panel to the flue collector and baseplate.
10. Pull the panel forward, lifting it clear of the locating peg and remove.
11. Repeat steps 9 and 10 to remove the RH panel.
12. The boiler is held to the packaging base by 4 M6 hex head screws. Remove the front screws, slacken the rear screws and remove the boiler from the packaging base.



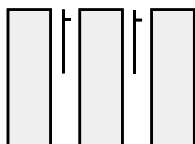
## 6 CHECKING THE FLUEWAY BAFFLES

1. Remove the flue cleanout cover.
2. **RS 3/40 & RS 3/70 only.**  
Ensure that the baffles are fully inserted in the flueways.

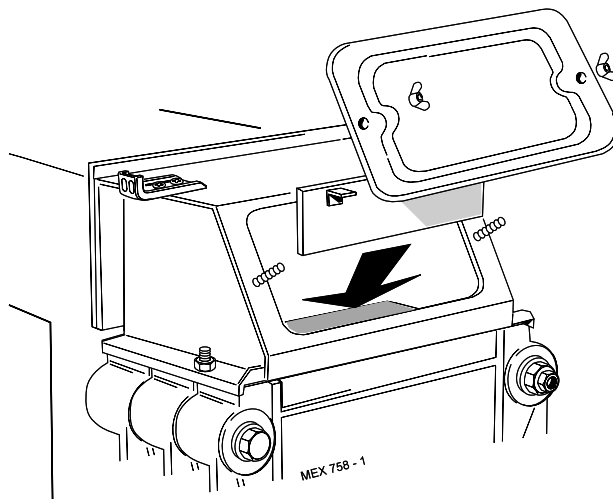
RS 3/40



RS 3/70



**Side view of boiler sections showing the baffle arrangements**



# INSTALLATION

## 7 PREPARING THE BOILER

Table 7 - Fully Pumped Systems

Connections - as viewed at front		Thermostat Position
Back Section		Front Section
Flow	Return	Top
LH	LH	LH
LH	RH	LH
RH	RH	RH
RH	LH	RH

Table 8 - Gravity Domestic Hot Water and Pumped Central Heating

Connections - as viewed at front				Thermostat Position
Back Section				Front Section
CH		DHW		Top
Flow	Return	Flow	Return	
LH	LH	RH	RH	LH
LH	RH	RH	LH	LH
RH	RH	LH	LH	RH
RH	LH	LH	RH	RH

**Notes.**

- Before placing the boiler in the selected position any gas and water connections at the rear of the boiler should be prepared, due to the possible lack of access.
- If an optional Pump Kit is to be used then it must be fitted at this stage. Refer to separate fitting instructions included with the kit.
- The pump may be fitted to the FLOW or the RETURN.

1. Screw the distributor tube (supplied with a 1" BSP x 28mm copper adaptor) into the selected heating return tapping, using an appropriate jointing material.

**IMPORTANT.**

It is **IMPERATIVE** that the index mark on the distributor tube bush is in alignment with the mark on the section boss, as shown in Frame 3.

*DO NOT disturb it when connecting subsequent pipework.*

*Fully pumped systems using more than 1 pump, serving separate zones, must have a common return connection to the distributor tube.*

2. Select the desired pumped flow tapping.
3. Screw the supplied boiler thermostat pocket into the appropriate front section tapping, using an approved jointing material. Refer to Tables 7 and 8.
4. Connect pipe fittings to the rear tapplings and plug any unused tapplings.

**Note.** If using iron elbows fit a short straight connector into the boiler tapping first, to clear the casing.

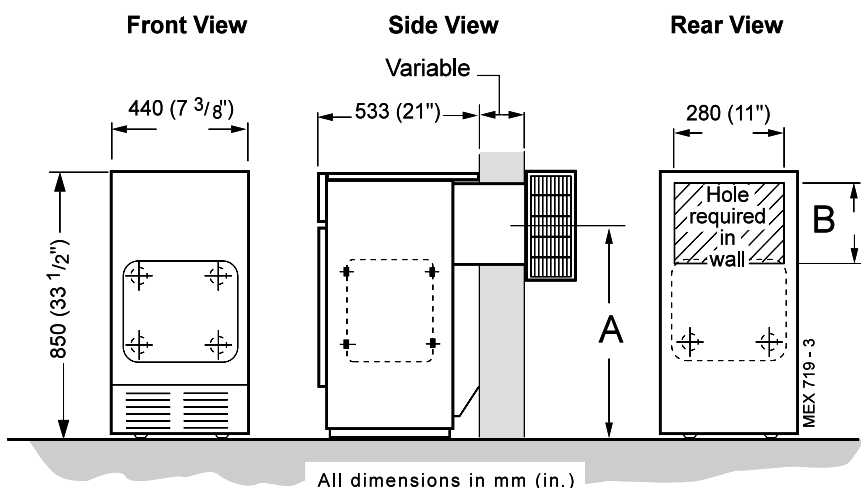
## 8 PREPARING THE WALL

1. Cut the appropriate hole in the wall for insertion of the terminal assembly.

**Notes.**

- a. Make good the hole on the **INSIDE** of the building to the given dimensions **BEFORE** fitting the boiler, to facilitate sealing between the terminal and the wall when the boiler is in position.

Boiler Size	Dim A	Dim B
RS 3/40, RS 3/50, RS 3/60	696 (27 3/8")	200 (7 7/8")
RS 3/70	672 (26 1/2")	248 (9 3/4")
RS 3/80	640 (25 1/8")	312 (12 1/4")



- b. The terminal **MUST NOT** come into contact with a combustible material such as that used in nonstandard construction of timber frame and plasterboard etc.

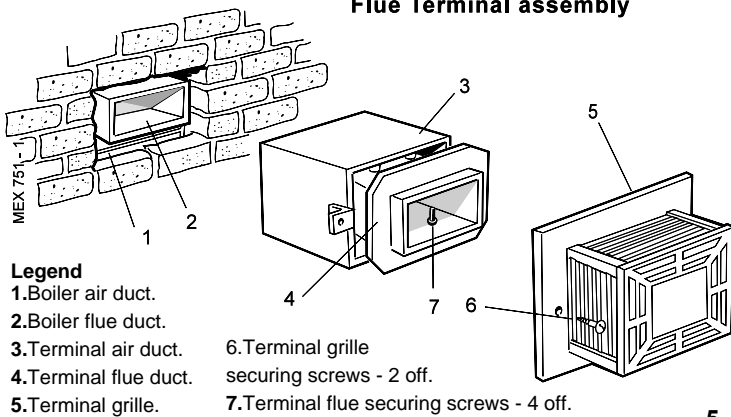
2. Place the boiler in the selected position.
- Note.** If an extension duct D is to be fitted, this must be done **BEFORE** the boiler is placed in position. Refer to Frame 11.
3. Make good the brickwork around the air duct inside.

# INSTALLATION

INSTALLATION

## 9 FITTING THE FLUE ASSEMBLY - Duct lengths up to 400 mm (16") - RS 3/40, RS 3/50 & RS 3/60 only

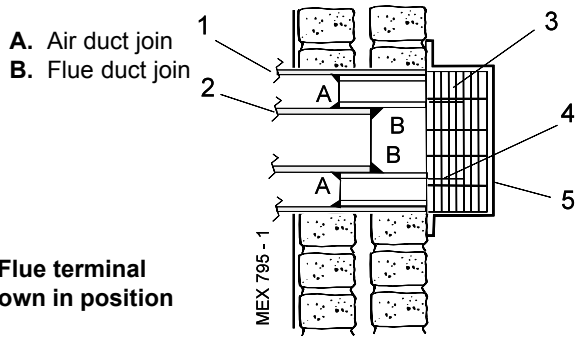
Flue Terminal assembly



**Legend**

- 1. Boiler air duct.
- 2. Boiler flue duct.
- 3. Terminal air duct.
- 4. Terminal flue duct.
- 5. Terminal grille.
- 6. Terminal grille securing screws - 2 off.
- 7. Terminal flue securing screws - 4 off.

1. Remove the 2 securing screws (6) and separate the terminal grille from the terminal assembly.
2. Remove the 4 securing screws (7) and separate the terminal flue duct from the terminal air duct.
3. From OUTSIDE of the building, pass the terminal air duct through the wall opening and slide it into the boiler air duct, locating it as shown.
4. Push the terminal air duct fully in until the fixing brackets contact the wall face.

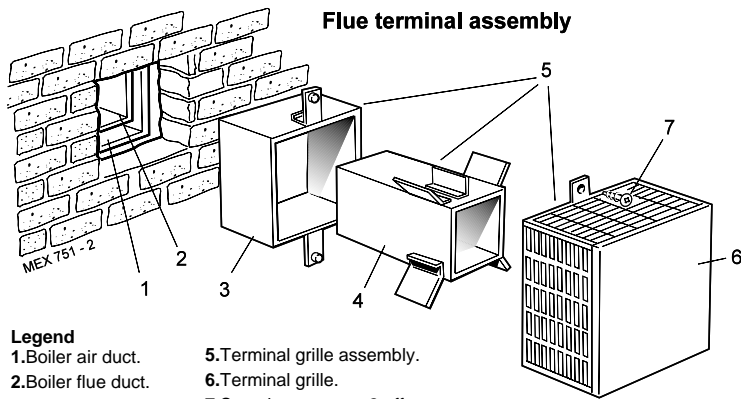


Flue terminal shown in position

5. Ensure that the duct is level and make good between the wall and duct, from OUTSIDE of the building.
6. From OUTSIDE of the building, seal the air duct joint (A) with the mastic provided.
7. From OUTSIDE of the building, pass the terminal flue duct through the wall opening and slide it into the boiler flue duct. Locate it as shown and fix it in position with the 4 screws previously removed.
8. From OUTSIDE of the building seal the flue duct joint (B) with the mastic provided.
9. Fasten the terminal grille to the duct assembly.

## 10 FITTING THE FLUE ASSEMBLY - Duct lengths up to 400 mm (16") - RS 3/70 & 3/80 only

Flue terminal assembly

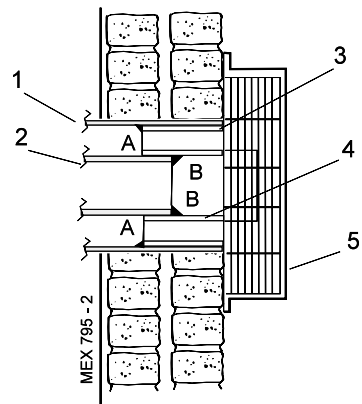


**Legend**

- 1. Boiler air duct.
- 2. Boiler flue duct.
- 3. Terminal air duct.
- 4. Terminal flue duct.
- 5. Terminal grille assembly.
- 6. Terminal grille.
- 7. Securing screws - 2 off.
- 8. Splitter plate.

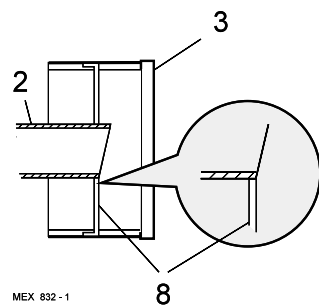
1. Remove the 2 screws and separate the terminal grille, terminal air duct and terminal flue duct.
2. From OUTSIDE of the building, pass the terminal air duct through the wall opening and slide it into the extension air duct, locating it as shown.
3. Push the duct fully in until the fixing brackets contact the wall face.
4. Ensure that the duct is level and make good between the wall and the duct from OUTSIDE of the building.
5. From OUTSIDE the building, seal the duct joint (A) with the mastic provided.

- A. Air duct joint
- B. Flue duct joint



Flue terminal shown in position

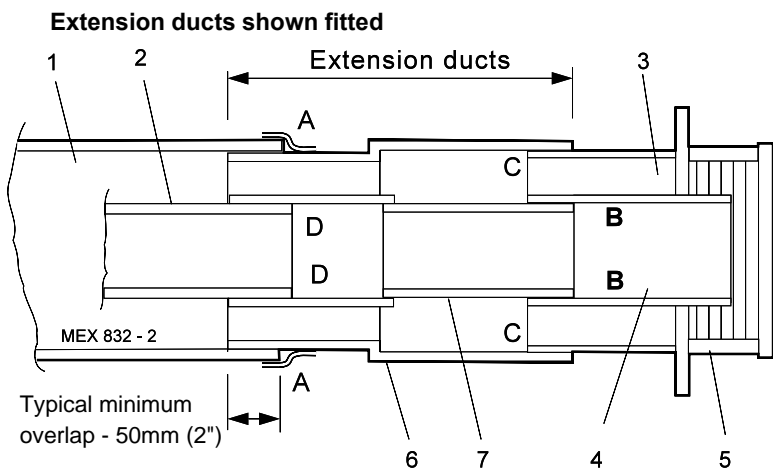
6. From OUTSIDE the building, pass the terminal flue duct through the wall opening and slide it into the boiler flue duct pushing the flue duct fully in, up to the locating stops. Locate it as shown.
7. From OUTSIDE of the building, seal the duct joint (B) with the mastic provided.
8. Fasten the terminal grille to the duct assembly.



# INSTALLATION

INSTALLATION

## 11 EXTENSION DUCTS - Duct lengths greater than 400 mm (16")



### Legend

- |                       |                        |                             |
|-----------------------|------------------------|-----------------------------|
| 1. Boiler air duct    | 6. Extension air duct  | A. Air duct joint           |
| 2. Boiler flue duct   | 7. Extension flue duct | B. Flue duct joint          |
| 3. Terminal air duct  |                        | C. Terminal air duct joint  |
| 4. Terminal flue duct |                        | D. Terminal flue duct joint |
| 5. Terminal grille    |                        |                             |

- BEFORE PLACING THE BOILER IN POSITION, loosely fit the extension air duct and terminal assembly to the boiler air duct and adjust to the required overall duct length.

### Note.

Ensure that any of the duct overlaps are not less than 50 mm (2").

- Secure the extension air duct in position, using the adhesive tape

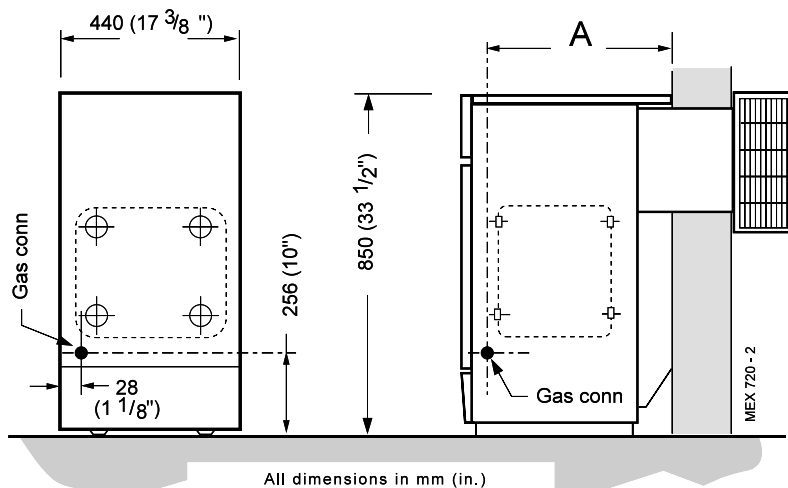
provided, at joint (A). Ensure that a good seal is made, particularly at the 2 bottom corners where the boiler duct is flanged .

- Remove the terminal assembly.
- Place the boiler in position, entering the extension duct into the wall opening.
- Make good the brickwork around the air duct inside.
- Separate the terminal grille, terminal air duct and terminal flue duct. Refer to Frame 9 or 10.
- From OUTSIDE of the building, pass the terminal air duct through the wall opening and slide it into the extension air duct, locating it as shown.
- Push the duct fully in until the fixing brackets contact the wall face.
- Ensure that the duct is level and make good between the wall and the duct from OUTSIDE of the building.
- From OUTSIDE of the building, seal the duct joint (C) with the mastic provided
- From OUTSIDE of the building, slide the extension flue duct into the boiler flue duct to the same distance as the extension air duct. Seal the duct joint (D) with the mastic provided
- RS 3/40-60**  
Go to Frame 9 note. 7
- RS 3/70 & 80**  
Go to Frame 10 note. 6

## 12 GAS CONNECTION

- A MINIMUM working gas pressure of 20 mbar (8 in.w.g.) MUST be available at the boiler inlet, with the boiler operating.
- Extend a gas supply pipe NOT LESS THAN 15mm (1/2") OD to the boiler and connect to the gas cock situated at the front LH side of the boiler.
- Test the gas installation for soundness and purge in accordance with BS.6891: 1988. Refer to Frame 24.

Boiler	Dimension A
RS 3/40	327 (12 7/8")
RS 3/50 - RS 3/80	400 (15 3/4")



## 13 WATER CONNECTIONS

- Connect the system flow and return pipework to the boiler as appropriate. Refer to Frames 14 and 15 for guidance on system design.

**Note.** When the required output exceeds 14.4 kW (49 000 Btu/h) then 28mm (1") pumped flow and return pipes should be used, both to and from the boiler.

Gravity connections MUST be at least 28mm (1").

- Ensure that all valves are open. Fill and vent the system and check for water soundness.

### Notes.

- Isolating valves must be fitted as close to the pump as possible.
- The boiler is not suitable for use with a direct hot water cylinder.

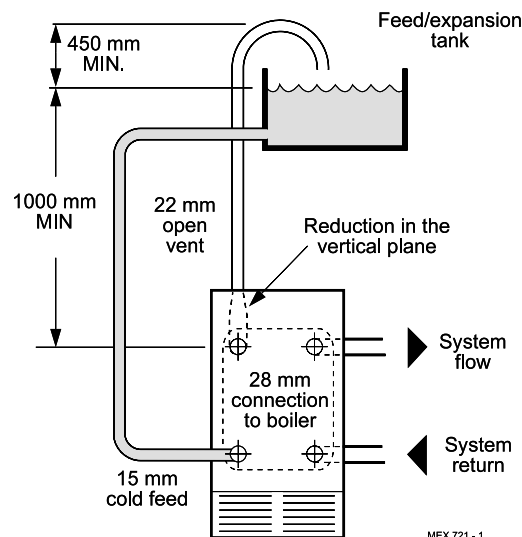
# INSTALLATION

## 14 MINIMUM REQUIREMENTS Fully pumped systems

1. Open vent and cold feed connections must be made to the boiler flow and return tappings according to the options shown in Frame 7.
2. The boiler is assumed to be the highest point of the circulating system.
3. The circulating pump is positioned on the FLOW and the vertical distance, between the pump and feed/ expansion tank, must comply with the pump manufacturer's minimum requirements, to avoid cavitation. Should these conditions not apply, either lower the pump position or raise the feed/ expansion tank above the minimum requirements of **Caradon Plumbing Limited**.
4. The water velocity through the boiler flow / return pipes is assumed to be below 1 m/s (3 ft./s), whilst the pump flow rate is set to provide a temperature difference of 11 °C (20 °F) across the boiler flow / return, at design input.
5. This information is intended as a **GUIDE ONLY** and cannot take into account instantaneous changes in head caused by the operation of motorised valves, pumps etc.

Due allowance **MUST** be made if surging is liable to occur.

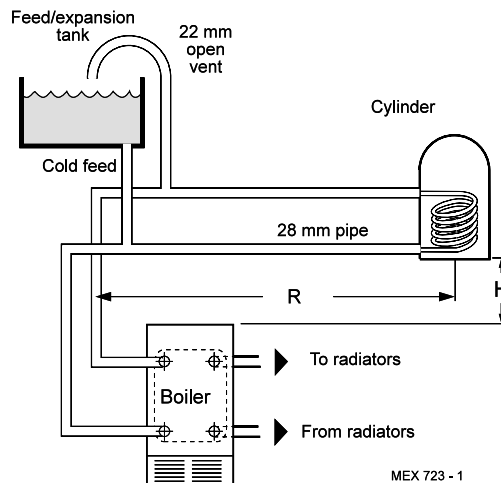
If in any doubt, contact **Caradon Plumbing Limited**



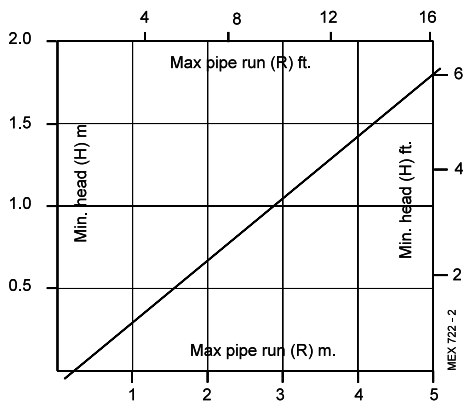
MEX 721 - 1

## 15 GRAVITY HOT WATER & PUMPED CENTRAL HEATING

1. Separate flow and return connections are used for each service. All possible configurations are given in Frame 8 and **ONLY those shown should be used**.
2. The schematic pipework graph is based on the assumption that **NO MORE** than 8 elbows are used in the gravity loop, including entry to the boiler.
3. For each extra elbow in excess of 8 (R) **MUST** be reduced by 300 mm (12") or (H) increased by 100 mm (4")
4. Whatever value is selected for (R), the value of (H) **MUST** be at least that indicated by the graph.



MEX 723 - 1



MEX 722 - 2

- (R) = the horizontal distance between the centre line of the cylinder and the boiler tappings used - measured along the pipe run.
- (H) = the vertical distance between the top of the boiler and the base of the cylinder.

### Notes.

- a. Flow and return pipes should rise vertically on leaving the boiler.
- b. Horizontal pipes should be **ABOVE** ceiling level and as short as possible.
- c. A **MINIMUM** inclination of 25 mm per 3 m run (1" per 10') is required to avoid air locks.

If the above conditions cannot be met pumped primaries should be used.

## 16 ELECTRICAL CONNECTIONS

**WARNING:** The appliance **MUST** be efficiently earthed.

A mains supply of 230 V ~ 50 Hz is required.

The fuse rating should be 3A.

All external controls and wiring **MUST** be suitable for mains voltage.

Wiring should be in 3-core PVC insulated cable **NOT LESS** than 0.75 mm<sup>2</sup> (24 x 0.2 mm) to BS.6500, Table 16.

Wiring external to the boiler **MUST** be in accordance with current

I.E.E. (BS.7671) Wiring Regulations and local regulations.

Connection must be made in a way that allows complete isolation of the electrical supply - such as a double pole switch, having a 3mm (1/8") contact separation in both poles, or a plug and socket serving only the boiler and system controls.

The means of isolation must be accessible to the user after installation.

This connection should be readily accessible and be made adjacent to the boiler (except in the case of bathroom installations for domestic boilers where the point of connection to the mains **MUST** be outside of the bathroom.)

# INSTALLATION

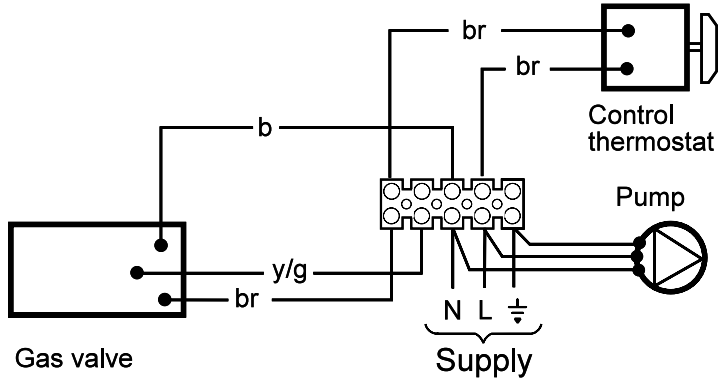
## 17 INTERNAL WIRING

Flow and pictorial wiring diagrams are shown in Frames 18 and 19. A schematic wiring diagram is included in the Lighting Instruction label.

1. Remove the securing screw and lift off the control box cover.
2. Route the electrical leads into the box and wire into the terminal strip, as shown.

**Notes.**

- a. Secure each lead with one of the cable clamps.
- b. The mains lead connection **MUST** be made so that, should the lead slip from its anchorage, the current conductors become taut before the earthing conductor.



MEX 724 - 1

## 18 EXTERNAL CONTROLS

External wiring must be in accordance with the current I.E.E. (BS 7671) Wiring Regulations.

The wiring diagrams illustrated in Frames 20-22 cover the systems most likely to be fitted to this appliance.

For wiring external controls to the **Mexico Super 3 RS** boiler reference should be made to the system wiring diagrams supplied by the relevant manufacturer, in conjunction with the flow wiring diagram below and also Frame 19.

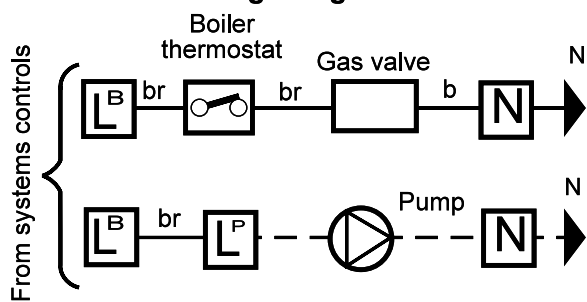
Difficulty in wiring should not arise, providing the following directions are observed:

1. Controls that switch the system ON and OFF, e.g. a time switch, **MUST** be wired, in series, in the live mains lead to the boiler.
2. Controls that override an on/off control, e.g. a frost thermostat, **MUST** be wired into the mains lead, in parallel, with the control(s) to be overridden. Refer to Frame 23.
3. If a proprietary system is used, follow the instructions supplied by the manufacturer.

Advice on required modifications to the wiring may be obtained from the component manufacturers.

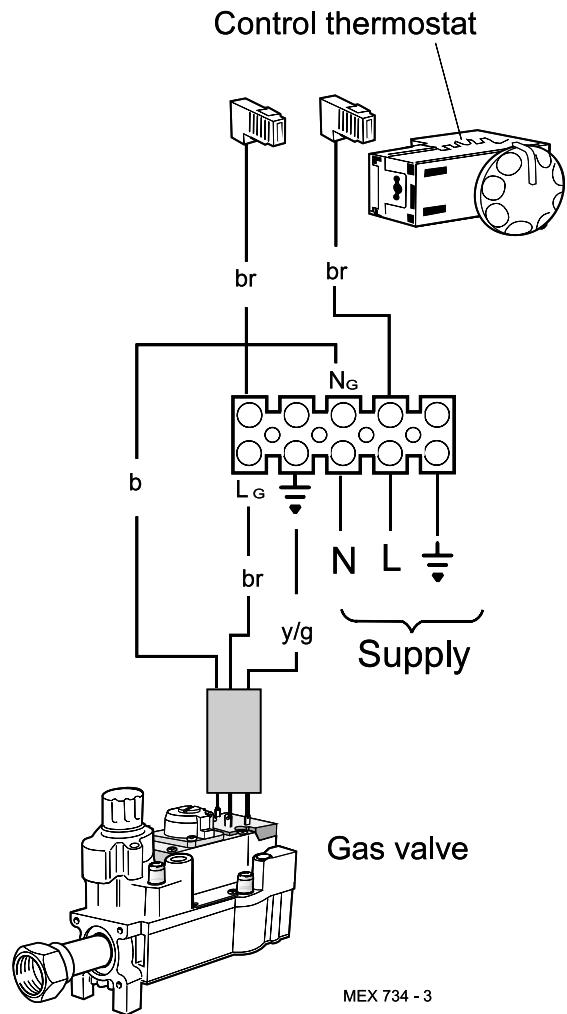
**Note.** If there are no external controls the circulating pump **MUST** be wired into the control box.

### Flow wiring diagram



MEX 725 - 1

## 19 PICTORIAL WIRING



MEX 734 - 3

**LEGEND**

b blue      br brown      y/g yellow/green

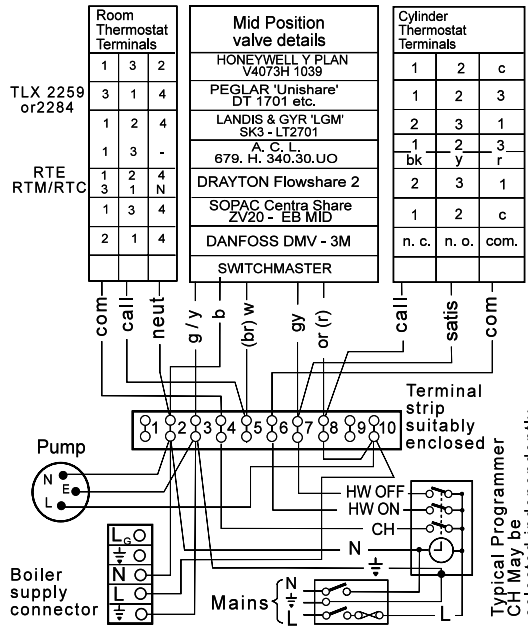


# INSTALLATION

## 20 MID POSITION VALVE Pumped only

**Notes.**

1. Some earth wires are omitted for clarity. Ensure proper earth continuity when wiring.
2. Numbering of terminals on thermostats is specific to the manufacturer indicated.
3. This is a fully controlled system - set the boiler thermostat to maximum.
4. 'Switchmaster Midi' is similar in operation but the wiring differs slightly; see manufacturer's literature.

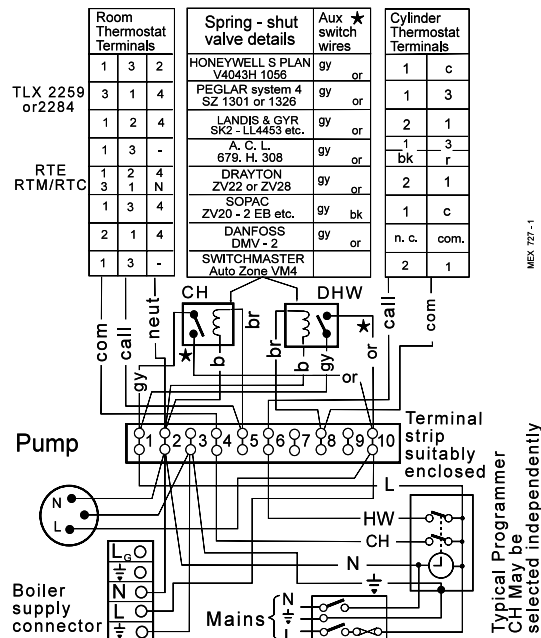


- LEGEND**
- |          |                  |
|----------|------------------|
| br brown | w white          |
| b blue   | r red            |
| bk black | or orange        |
|          | gy grey          |
|          | y/g yellow/green |

## 21 TWO SPRING CLOSED VALVES Pumped only

**Notes.**

1. Some earth wires are omitted for clarity. Ensure proper earth continuity when wiring.
2. Numbering of terminals on thermostats is specific to the manufacturer.
3. This is a fully controlled system - set the boiler thermostat to maximum.
4. 'Switchmaster Autozone' has grey and orange auxiliary switch leads but the ORANGE (NOT the grey) wire must be connected to the incoming live supply.

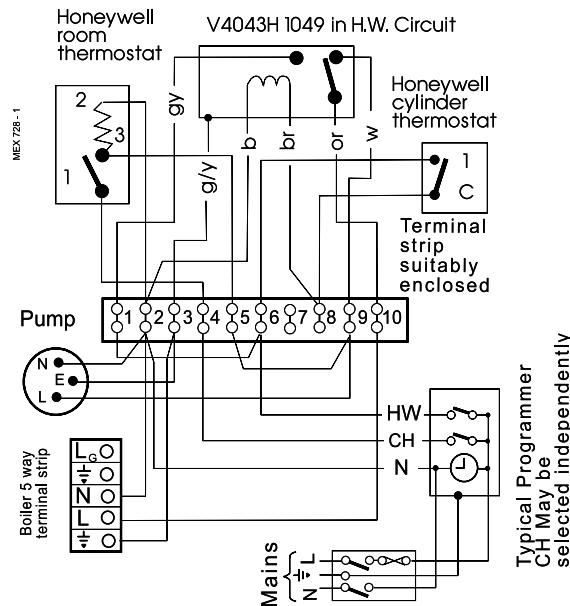


- LEGEND**
- |          |                  |
|----------|------------------|
| br brown | or orange        |
| b blue   | y/g yellow/green |
| bk black | w white          |
|          | gy grey          |

## 22 HONEYWELL 'C' PLAN Gravity HW & Pumped CH

**Notes.**

1. Some earth wires are omitted for clarity. Ensure proper earth continuity when wiring
2. Numbering of terminals on thermostats is specific to the manufacturer.



- LEGEND**
- |          |                  |
|----------|------------------|
| bk black | b blue           |
| w white  | gy grey          |
| r red    | or orange        |
|          | y/g yellow/green |

## INSTALLATION

### 23 FROST PROTECTION

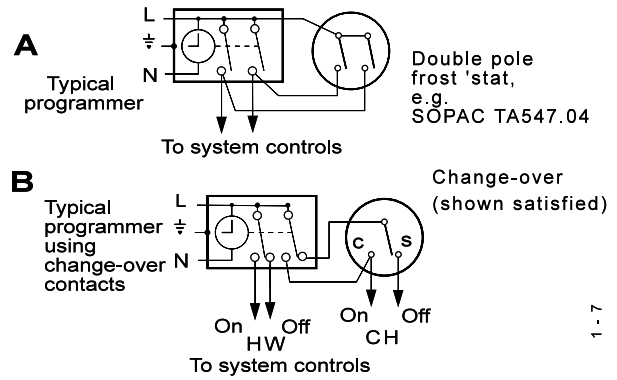
Central heating systems fitted wholly inside the house do not normally require frost protection as the house acts as a 'storage heater' and can normally be left at least 24 hrs. without frost damage. However, if parts of the pipework run outside the house or if the boiler will be left off for more than a day or so then a frost 'stat' should be wired into the system.

This is usually done at the programmer, in which case the programme selector switches are set to OFF and all other controls MUST be left in the running position.

The frost 'stat' should be sited in a cold place but where it can sense heat from the system.

Wiring should be as shown, with minimal disturbance to other wiring of the programmer.

Designation of the terminals will vary, but the programmer and thermostat manufacturer's leaflets will give full details.



**Diagram A** shows a double pole frost thermostat, which should suffice for all systems which do not use the OFF terminals of the programmer.

**Diagram B** shows a 'change-over' frost thermostat, which will cover most systems which do use CH OFF. If, however, on such a system the HW pipework is in an isolated part of the house, a second frost thermostat may be used to protect it.

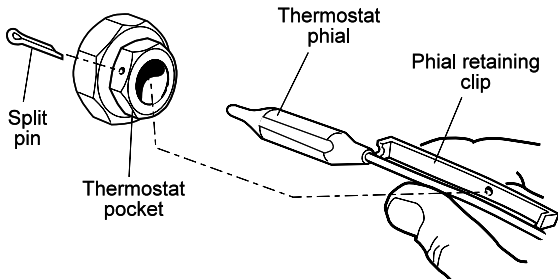
If in doubt, ask your installer for advice.

### 24 FITTING THE CASING

1. Offer up the RH side panel, locating it with the peg in the baseplate, and push the panel back.
2. Secure the panel to the baseplate and collector hood.
3. Repeat steps 1 and 2 to refit the LH side panel.
4. Place the top panel and push back.
5. Secure the top panel to the side panels.

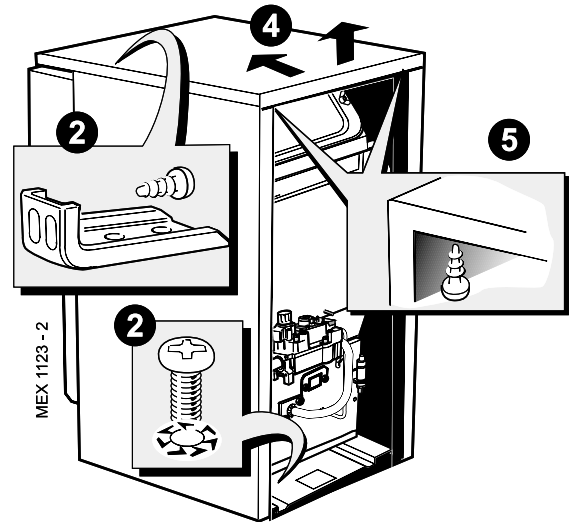
**IMPORTANT.** Wiring within the boiler casing must be neatly secured with the cable straps provided and **MUST NOT** be allowed to touch the burner front plate, or the cleanout cover and the collector hood.

6. Replace the control box cover and refit the control panel using the screws previously removed.



Detail of thermostat pocket

MEX 729 - 1



7. Insert the thermostat phial and phial retaining clip into the thermostat pocket. Take care not to kink the thermostat capillary as it is unwound and secure it with the split pin as shown.

8. Refit the grille assembly

### 25 COMMISSIONING AND TESTING

#### A. ELECTRICAL INSTALLATION

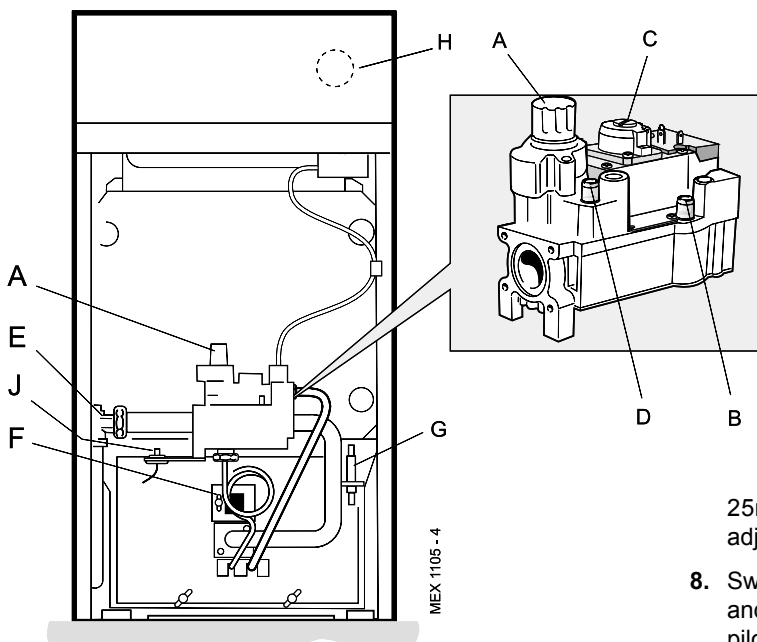
1. Checks to ensure electrical safety should be carried out by a competent person.
2. ALWAYS carry out preliminary electrical system checks, i.e. earth continuity, polarity, resistance to earth and short circuit using a suitable test meter.

**WARNING.** Whilst effecting the required gas soundness test and purging air from the gas installation, open all windows and doors, extinguish naked lights and **DO NOT SMOKE.**

#### B. GAS INSTALLATION

1. The whole of the gas installation, including the meter, **MUST** be inspected and tested for soundness, and purged in accordance with the recommendations of BS. 6891.
2. Purging air from the gas installation may be expedited by loosening the union on the gas service cock on the boiler and purging until gas is detected.
3. Retighten the union and check for gas soundness.

## 26 INITIAL LIGHTING



### LEGEND

- A Gas control knob
- B Burner pressure test point
- C Main burner pressure adjuster
- D Inlet pressure test point
- E Gas service cock
- F Sightglass
- G Piezo unit ignition
- H Boiler thermostat knob
- J Overheat thermostat reset button (optional)

1. Connect the gas valve electrical leads and refit the cover.
  2. Check that the gas service cock (E) is ON and that the boiler thermostat control knob (H) is OFF.
  3. Loosen the screw in the burner pressure test point (B) and connect a gas pressure gauge via a flexible tube.
  4. Turn the gas control knob (A) CLOCKWISE until resistance is felt and then release it.
  5. Push in and retain fully depressed the gas control knob (A). Press and release the piezo unit button (G) repeatedly until the pilot is seen to light through the sightglass (F).
  6. Hold the gas control knob (A) depressed for 15 seconds after the pilot burner has ignited, then release.
- If the pilot burner fails to remain alight at this stage, repeat the procedure detailed above but wait longer than 15 seconds before releasing the gas control knob (A).
7. Check the appearance of the pilot flame to ensure that it envelops the tip of the thermocouple and is approximately

25mm (1") long. The pilot flame is factory set and no adjustment is possible.

8. Switch the boiler thermostat control knob (H) to position 6 and check that the burner cross-lights smoothly from the pilot flame.
9. Test for gas soundness around the boiler gas component joints, using leak detection fluid.
10. Operate the boiler for 10 minutes to stabilise the burner temperature. The boiler is preset at the factory to its maximum nominal rating but can be range-rated to suit the system design requirements. Refer to Table 2, page 3.

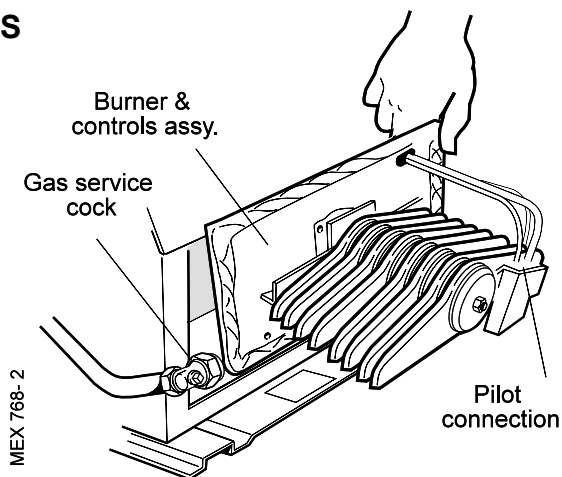
If the burner setting pressure requires adjustment, remove the silver threaded protection cap on the top of the regulator. Adjust the main burner pressure adjuster (C) until the required main burner pressure is achieved.

**Note.** *Continual adjustment in either direction will produce the opposite effect.*

11. If the boiler output is set to MID or MINIMUM affix the appropriate indicator label, supplied, to the data plate (front of baseplate).
12. Turn the boiler thermostat knob (H) to OFF.
13. Remove the pressure gauge and tube. Retighten the screw in the pressure test point, ensuring that a gas-tight seal is made.

## 27 PILOT BURNER CONNECTION GAS SOUNDNESS

1. Turn the gas service cock to OFF and undo the union nut.
2. Remove the 4 wing nuts and withdraw the burner and controls assembly, complete, from the boiler.
3. Invert the burner assembly and reconnect to the gas service cock.
4. Turn the gas service cock to ON.
5. Light the pilot burner. Refer to Frame 26.
6. Test for gas soundness around the pilot burner connection, using leak detection fluid.
7. Turn the gas service cock to OFF and return the burner and controls assembly to the normal working position.



**Burner and controls assembly**

## 28 GENERAL CHECKS

**Make the following checks for correct operation:**

1. Turn the boiler thermostat OFF and ON to check that the main burner is extinguished and relit in response.
2. Check that the programmer, if fitted, and all other system controls function correctly.  
Operate each control separately and check that the main burner or circulating pump (as the case may be) responds.

### 3. Flame failure device

Check the operation of the flame failure device in the gas control valve as follows:

- a. Extinguish the pilot flame by closing the gas service cock and note the time taken for the flame failure device to shut down - identified by a click within the gas control valve. *This must not be longer than 60 seconds.*
- b. Open the gas service cock and relight the pilot.
- c. Turn the boiler thermostat ON and the burner should light.
- d. Turn the gas control knob to the OFF position - refer to Frame 26. The main burner and pilot flame should shut down immediately. **Note.** *A latch in the gas control valve provides a safety delay period of approximately 30 seconds before the pilot can be relit.*

### 4. Water circulation System

- a. With the system HOT, examine all water connections for soundness.

- b. With the system still hot, turn off the gas, water and electricity supplies to the boiler and drain down, in order to complete the flushing process.
- c. Refill and vent the system, clear all air locks and again check for water soundness.
- d. Balance the system.
5. Finally, set the controls to the user's requirements, refit the lower front panel and close the controls door.

#### Notes.

- *If an optional programmer kit is fitted refer to the separate Programmer Kit Installation Instructions and Programmer Kit User's Instructions.*
- *The temperatures quoted below are approximate and vary between installations.*

Thermostat Knob Setting	Flow Temperature	
	°C	°F
2	60	140
3	66	150
4	71	160
5	77	170
6	82	180

## 29 HANDING OVER

**After completing the installation and commissioning of the system the installer should hand over to the householder by the following actions:**

1. Hand the User's Instructions to the householder and explain his or her responsibilities under the Gas Safety (Installation and Use) Regulations 1994, amendments 1996 or rules in force.
2. Draw attention to the lighting instruction label affixed to the inside of the controls door.
3. Explain and demonstrate the lighting and shutting down procedures.
4. The operation of the boiler and the use and adjustment of ALL system controls should be fully explained to the householder, to ensure the greatest possible fuel economy consistent with household requirements of both heating and hot water consumption.  
  
Advise the User of the precautions necessary to prevent damage to the system and to the building in the event of the system remaining inoperative during frosty conditions.
5. Explain the function and the use of the boiler thermostat and external controls.
6. Explain and demonstrate the function of time and temperature controls, radiator valves etc., for the economic use of the system.
7. If an optional Programmer Kit is fitted then draw attention to the Programmer Kit User's Instructions and hand them to the householder.
8. **After installation, commissioning and customer hand-over instructions please complete the *benchmark* appliance log book and leave this with the customer.**
9. Stress the importance of regular servicing by a CORGI registered installer and that a comprehensive service should be carried out AT LEAST ONCE A YEAR.

# SERVICING

## 30 SCHEDULE

To ensure the continued safe and efficient operation of the appliance it is recommended that it is checked at regular intervals and serviced as necessary. The frequency of servicing will depend upon the installation condition and usage but should be carried out at least annually .

It is the law that any service work must be carried out by a CORGI registered installer.

- a. Light the boiler and carry out a pre-service check, noting any operational faults.
- b. Clean the main burner.
- c. Clean the heat exchanger.
- d. Clean the main injectors.

- e. Check the condition of the thermocouple.
- f. Check that the flue terminal is unobstructed and that the flue system, including the flue cleanout cover, is sealed correctly.
- g. If the appliance has been installed in a compartment, check that the ventilation areas are clear.

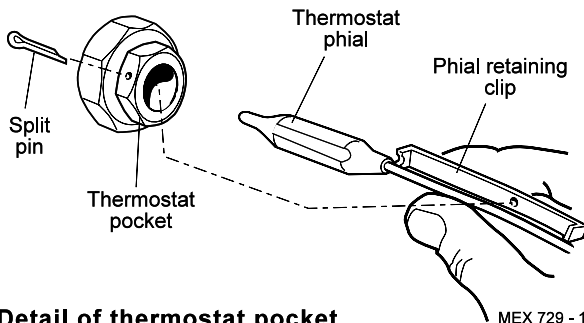
The servicing procedures are covered more fully in Frames 31 to 36 and MUST be carried out in sequence.

**WARNING.** Always turn OFF the gas supply at the gas service cock and switch OFF and DISCONNECT the electrical supply to the appliance **BEFORE SERVICING.**

**IMPORTANT.** After completing the servicing or exchange of components always test for gas soundness and carry out functional checks as appropriate.

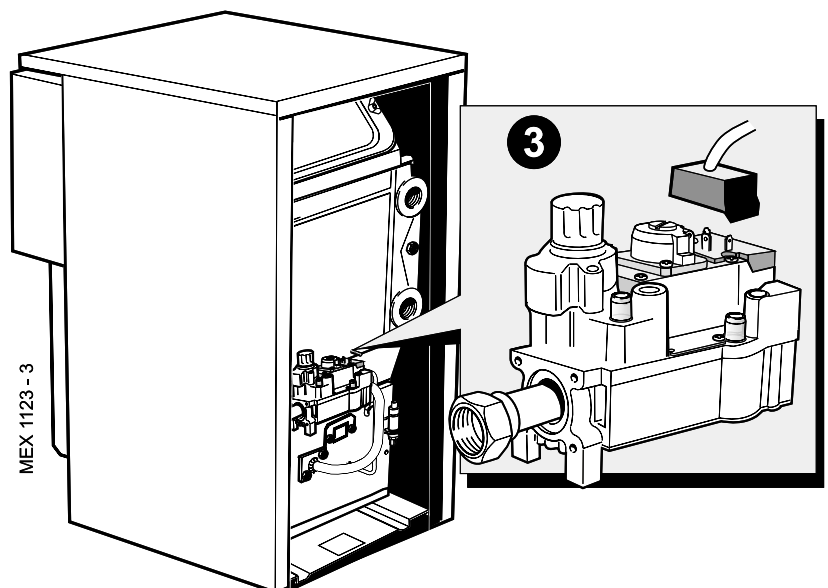
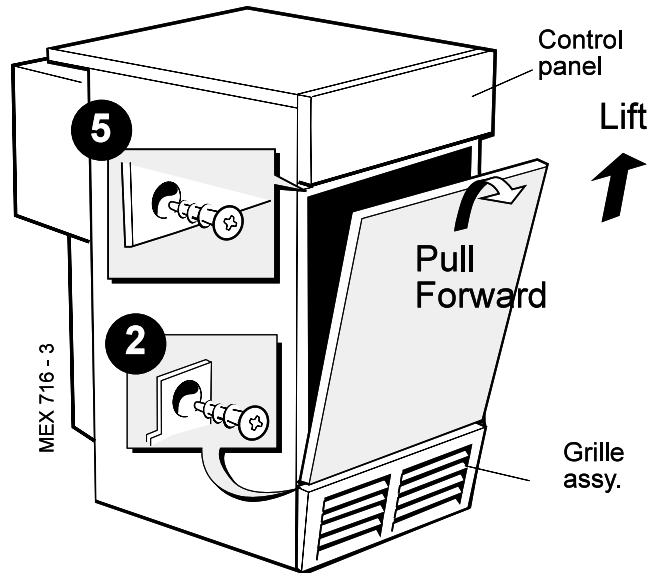
## 31 BOILER CASING REMOVAL

1. Lift off the door.
2. Remove the 2 screws and lift off the grille assembly.
3. Remove the gas valve electrical cover and disconnect the electrical leads.
4. Release the gas valve lead from the retaining clip.
5. Remove the thermostat phial from the pocket as shown.



Detail of thermostat pocket

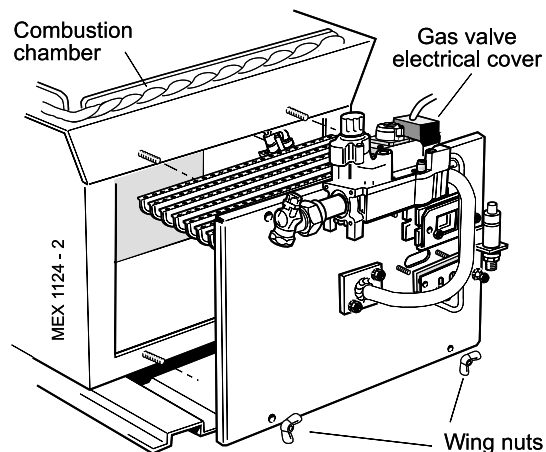
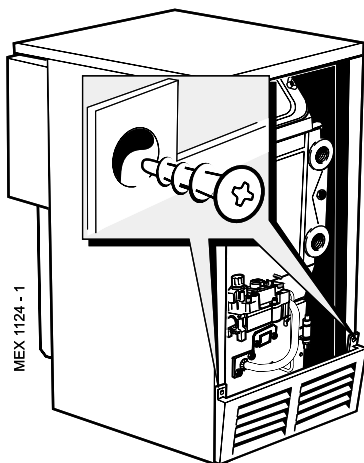
6. Remove the 2 screws securing the control panel and pull down to release the tabs from under the top panel.
7. If the boiler is not fitted under a work top, access for flue cleaning will be improved by removing the top panel.



## SERVICING

### 32 BURNER AND CONTROLS ASSEMBLY REMOVAL

1. Lift off front panel and remove the grille assembly. Refer to Frame 31. Undo the gas cock union.
2. Remove the 4 wing nuts and withdraw the burner and controls assembly, complete, from the boiler.
3. Place on a convenient working surface.



### 33 CLEANING THE BURNER ASSEMBLY

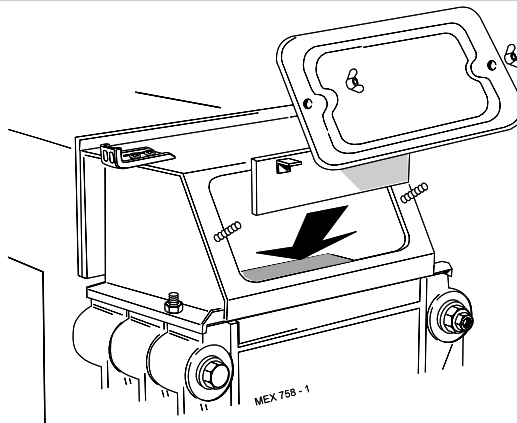
1. Brush off any deposits that may have fallen onto the burner head (ensuring that the flame ports are unobstructed) and remove any debris that may have collected.  
**Note.** *Brushes with metallic bristles MUST NOT be used.*
2. Remove the main burner injector. Check, clean or replace, as required.
3. Refit the injector, using an approved jointing compound.
4. Inspect the pilot burner, thermocouple and ignition electrode; ensure they are clear and in good condition.

Check that:

- a. The pilot burner is clean and unobstructed.
  - b. The ignition electrode is clean and undamaged.
  - c. The ignition lead is in good condition and securely connected.
  - d. The spark gap is correct. Refer to Frame 45.
  - e. The thermocouple tip is not burned or cracked.
  - f. The position of the thermocouple relative to the pilot burner is correct. Refer to Frame 45.
  - g. The thermocouple terminal at the gas valve is clean.
5. Clean or renew components as necessary.

### 34 CLEANING THE FLUEWAYS

1. Remove the 2 wing nuts and lift off the cleanout cover.
2. Lift out the flue baffles (if fitted).
3. Remove all loose deposits from the heat exchanger, especially from between the fins, using a suitable brush. Remove all debris from the combustion chamber base.
4. Check that the flue outlet duct is unobstructed.



### 35 RE-ASSEMBLY

Re-assemble the boiler in the following order :

1. Refit the flue baffles into the boiler flueways, ensuring that they are correctly repositioned. Refer to Frame 6.
2. Refit the flue cleanout cover, renewing any damaged or deteriorating sealing gasket.
3. Refit the casing top panel.
4. Reconnect the electrical wiring and refit the controls panel, ensuring that the thermostat dial and dial

retaining clip are correctly located in the thermostat pocket and secured by the split pin. Refer to Frame 31.

5. Check the sightglass in the front plate - clean or renew as necessary.
6. Renew any damaged or deteriorating front plate gasket.
7. Refit the burner and controls assembly.
8. Reconnect the gas service cock.
9. Refit the grille assembly.

## 36 GAS PRESSURE ADJUSTMENT

### 1. Pilot Pressure

Pilot adjustment is factory set to maximum and no adjustment is possible.

### 2. Main Burner Pressure

After servicing, reference should be made to Table 1,

which quotes details of the rated output with the related burner pressure and heat input. Any required adjustments should be made using the pressure adjustment screw. Refer to Frame 26, 'Initial Lighting.

Refit the lower front panel

## REPLACEMENT OF PARTS

## 37 GENERAL

When replacing any component:

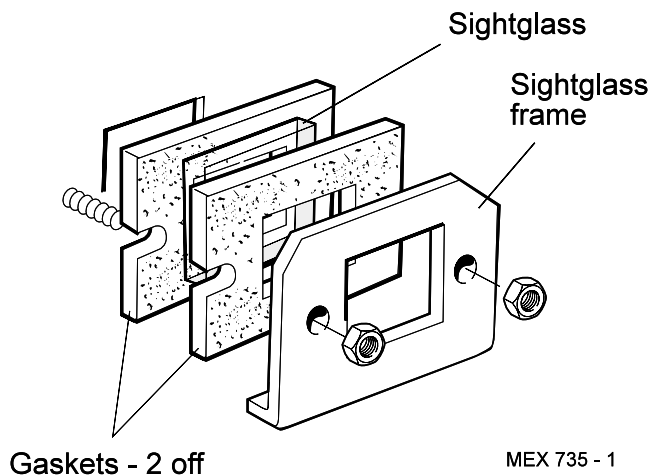
1. Isolate the electricity supply.
2. Turn off the gas supply at the boiler.

3. Remove the lower front panel grille assembly.

**For replacement of pumps or programmer units refer to the separate Pump Kit or Programmer Kit Instructions.**

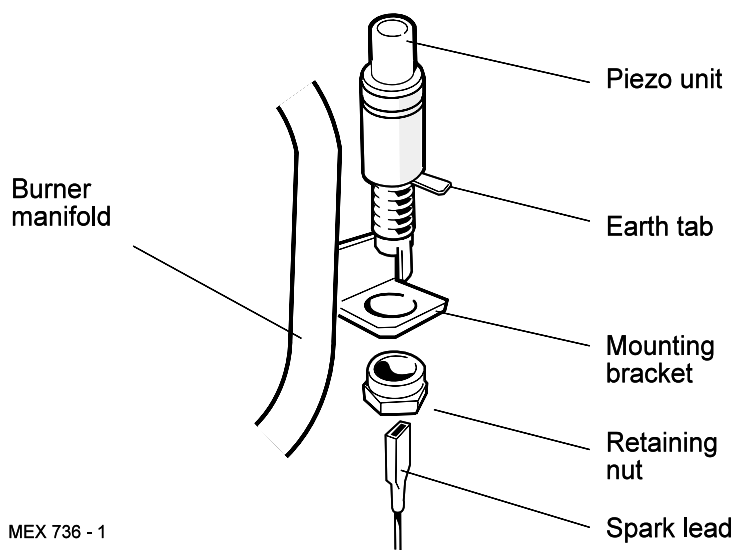
## 38 SIGHTGLASS REPLACEMENT

1. Unfasten the 2 M5 hexagon nuts and washers. Remove the assembly from the front plate.
2. Fit the new sightglass and re-assemble, as shown.
3. Retighten the 2 M5 hexagon nuts to ensure an airtight seal. *Do NOT overtighten.*



## 39 PIEZO UNIT REPLACEMENT

1. Disconnect the ignition lead from the piezo unit body.
2. Remove the retaining nut and withdraw the unit, as shown.
3. Fit the new unit and reassemble in reverse order.

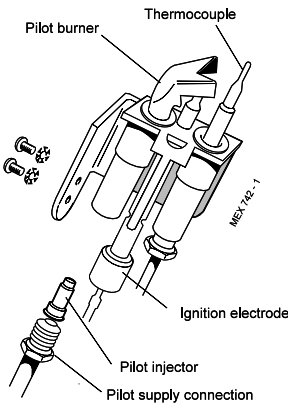




## SERVICING

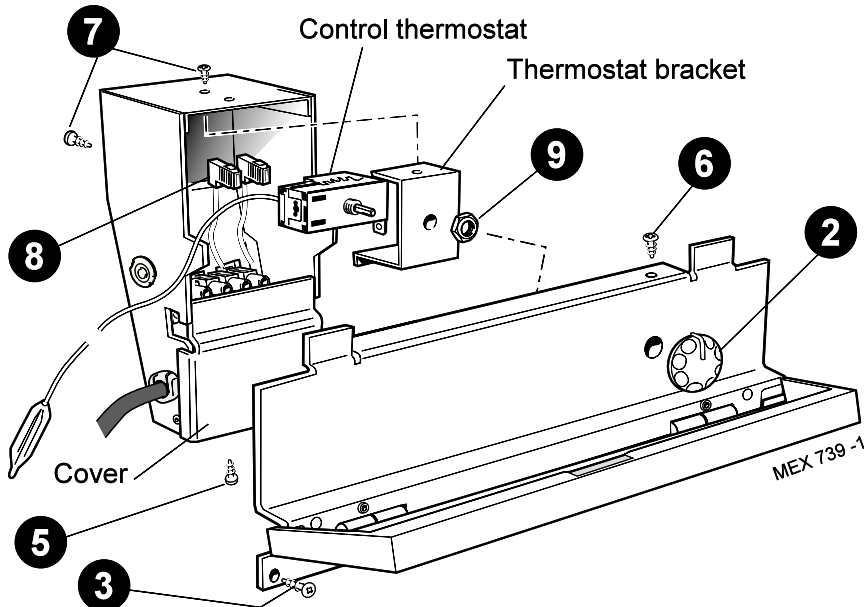
### 40 PILOT BURNER REPLACEMENT

1. Lift off front panel and remove the grille assembly - refer to Frames 31 & 32. Undo the gas cock union. Remove the 4 wing nuts and withdraw the burner and controls assembly, complete, from the boiler.
2. Remove the ignition electrode. Refer to Frame 45.
3. Unscrew the thermocouple connection and pull the thermocouple clear. Refer to Frame 46.



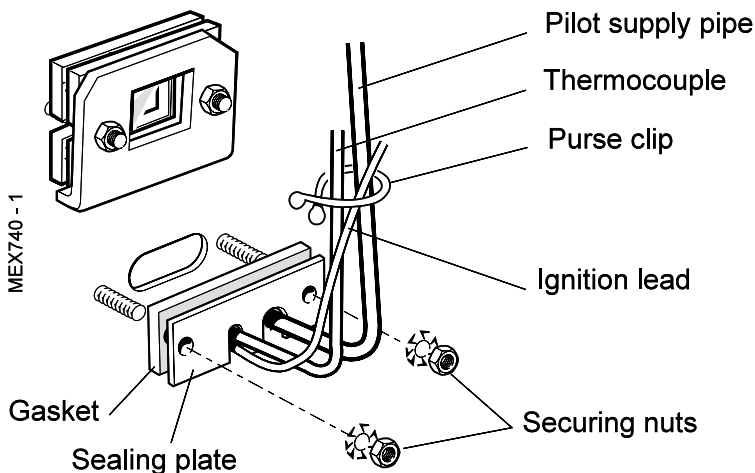
4. Undo the pilot supply pipe connection and ease clear of the pilot burner. DO NOT lose the pilot injector, which is a push-fit in the pilot burner housing.
5. Remove the 2 securing screws and washers, and withdraw the pilot burner.
6. Fit the new pilot burner and re-assemble in reverse order, ensuring that:
  - a. The injector is in position when refitting the pilot supply.
  - b. A gas-tight joint is made.
  - c. The spark gap is correct. Refer to Frame 45.

### 41 CONTROL THERMOSTAT REPLACEMENT



1. Lift off the front door - Refer to Frame 31.
2. Pull off the thermostat knob.
3. Remove the 2 screws and pull down the control panel tabs clear of the top panel.
4. Remove the thermostat dial from the pocket - refer to Frame 31.
5. Remove the bottom screw and remove the cover.
6. Remove the top screw and ease the control box off the control panel.
7. Remove the 2 screws to release the thermostat bracket.
8. Disconnect the electrical leads.
9. Unscrew the thermostat nut to withdraw the thermostat.
10. Fit the new thermostat and re-assemble in reverse order.

### 42 IGNITION LEAD REPLACEMENT

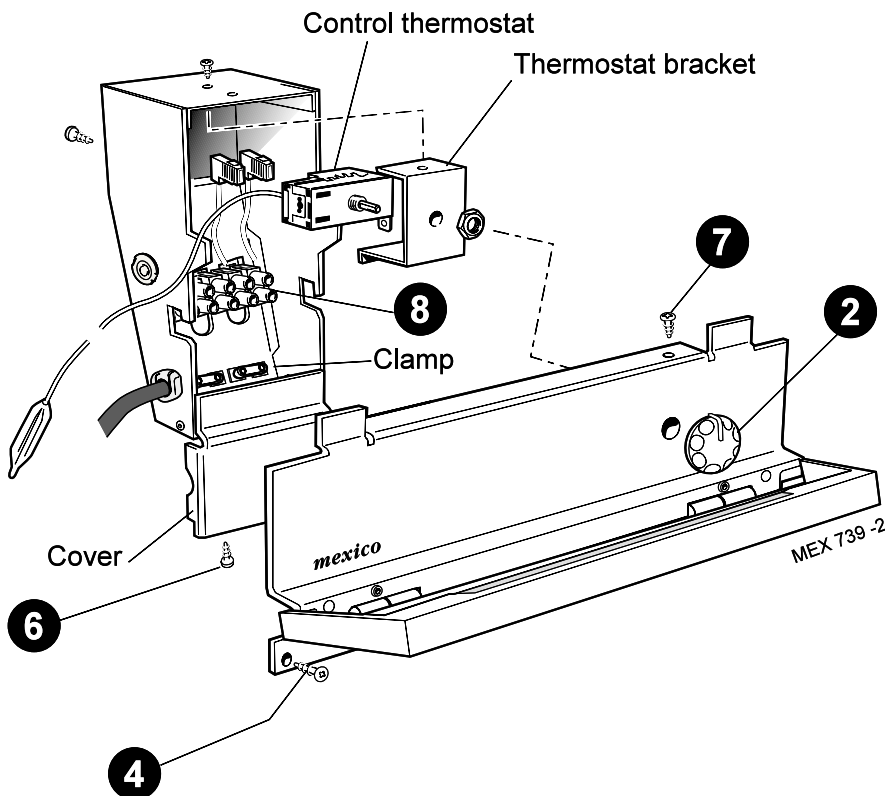


1. Lift off front panel and remove the grille assembly - refer to Frames 31 & 32. Undo the gas cock union. Remove the 4 wing nuts and withdraw the burner and controls assembly, complete, from the boiler.
2. Remove the purse clip.
3. Undo the 2 securing nuts and washers. Remove the sealing plate and gasket.
4. Disconnect the ignition lead from the base of the electrode and the piezo unit, and withdraw the lead.
5. Fit the new lead and re-assemble in reverse order.



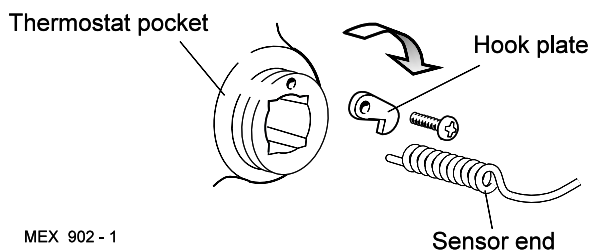
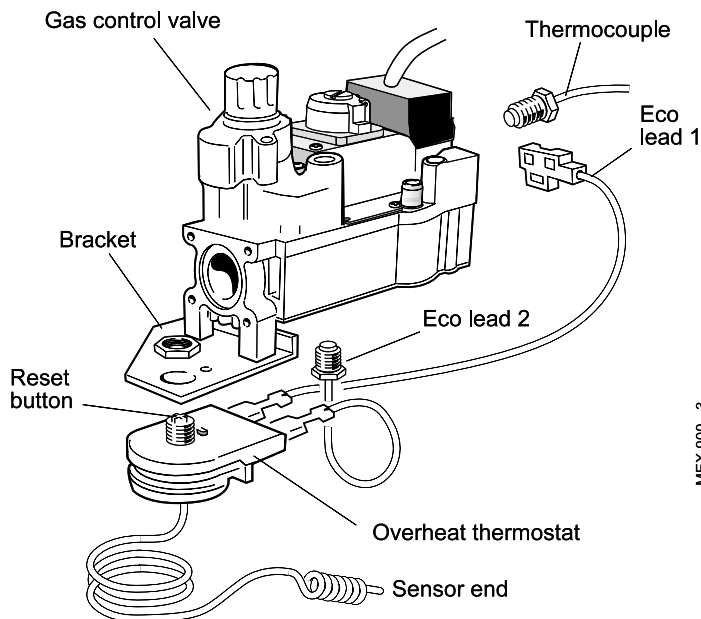
### 43 CONTROLS PANEL REPLACEMENT

1. Lift off the lower front panel. Refer Frame 31
2. Pull off the thermostat knob.
3. Disconnect the electrical connections from the gas valve.
4. Unscrew the 2 screws and pull down the control panel so that the 2 tabs clear the top panel.
5. Remove the thermostat phial from the pocket. Refer to Frame 31.
6. Remove the bottom screw and remove the cover from the control box.
7. Remove the top screw and ease the control box off the control panel.
8. Disconnect the mains electrical supply from the terminal strip and release from its clamp.
9. Assemble new control box and panel and fit to the casing reverse order.
10. Insert control thermostat phial into pocket and secure with the split pin.
11. Connect gas valve electrical leads.
12. Remove control box cover and make electrical supply connections to the terminal strip. Refer to frame 17.
13. Replace front lower panel.



### 44 OVERHEAT THERMOSTAT REPLACEMENT (if fitted)

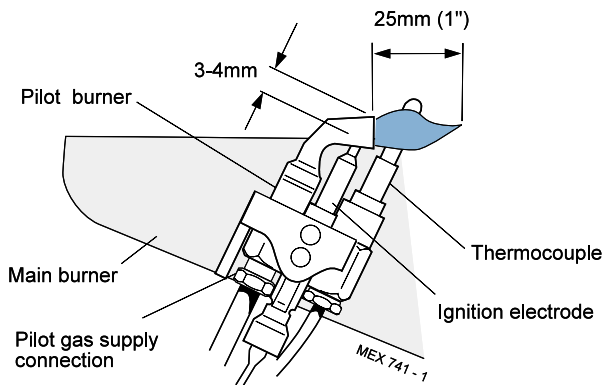
1. Lift off front lower panel. Refer to Frame 31.
2. Slacken the screw at the thermostat pocket and withdraw the phial from the pocket.
3. Remove the thermostat backnut.
4. Remove the 2 Eco leads.
5. Fit the new thermostat (lead polarity immaterial), ensuring that the alignment peg on the thermostat sits in the small hole adjacent to the main fixing hole and reassemble in reverse order.
6. Replace the lower front panel.
7. Check the operation of the boiler.



# SERVICING

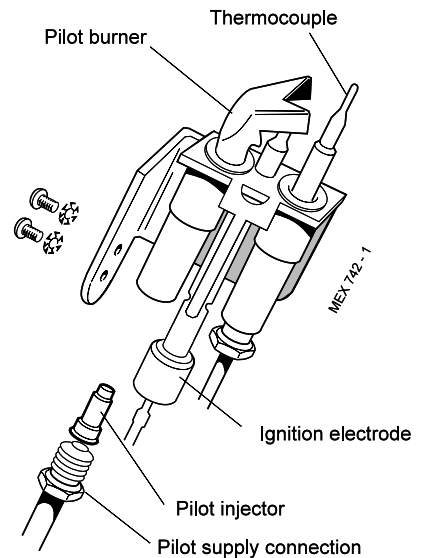
## 45 IGNITION ELECTRODE REPLACEMENT

1. Lift off front panel and remove the grille assembly - refer to Frames 31 & 32. Undo the gas cock union. Remove the 4 wing nuts and withdraw the burner and controls assembly, complete, from the boiler.



Detail of pilot flame length and spark gap

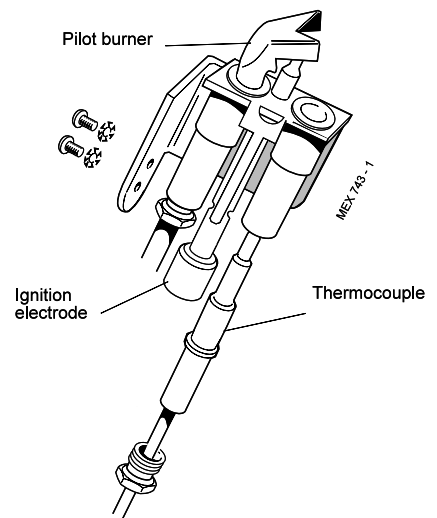
2. Disconnect the ignition lead.
3. Prise the retaining clip out of the groove in the electrode, using a small screwdriver, and withdraw the electrode.
4. Push in the new electrode until the retaining clip locates in the groove and re-assemble in reverse order.



## 46 THERMOCOUPLE REPLACEMENT

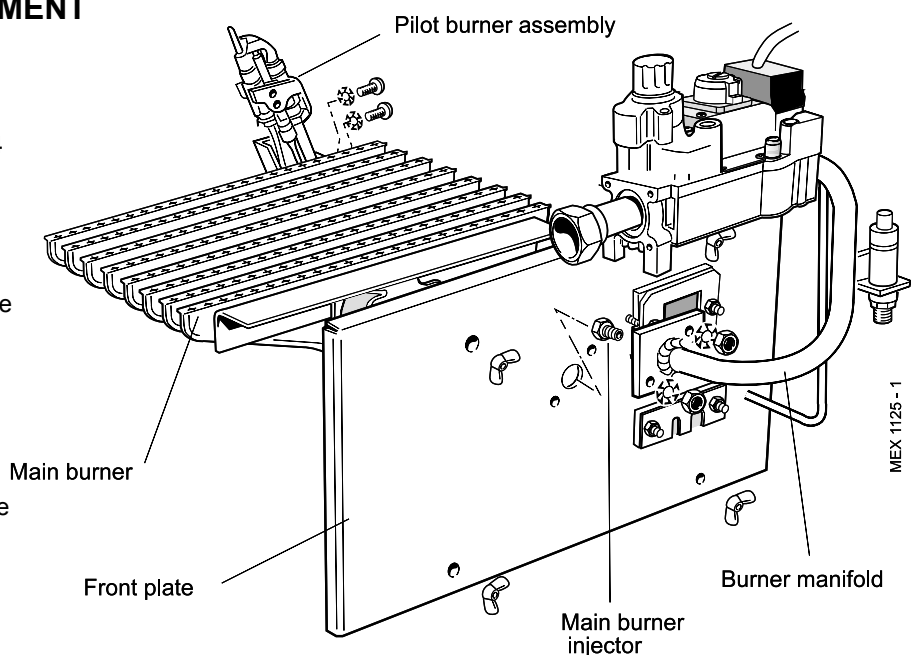
1. Lift off front panel and remove the grille assembly - refer to Frames 31 & 32. Undo the gas cock union. Remove the 4 wing nuts and withdraw the burner and controls assembly, complete, from the boiler.
2. Remove the ignition electrode.
3. Remove the purse clip.
4. Undo the thermocouple nut at the pilot burner and pull the thermocouple clear.
5. Undo the thermocouple connection at the gas valve.
6. Remove the sealing plate and gasket (refer to Frame 42) and withdraw the thermocouple.
7. Fit the new thermocouple and re-assemble in reverse order

**Note.** Avoid sharp bends in the thermocouple lead and ensure that it follows the same route as previously.



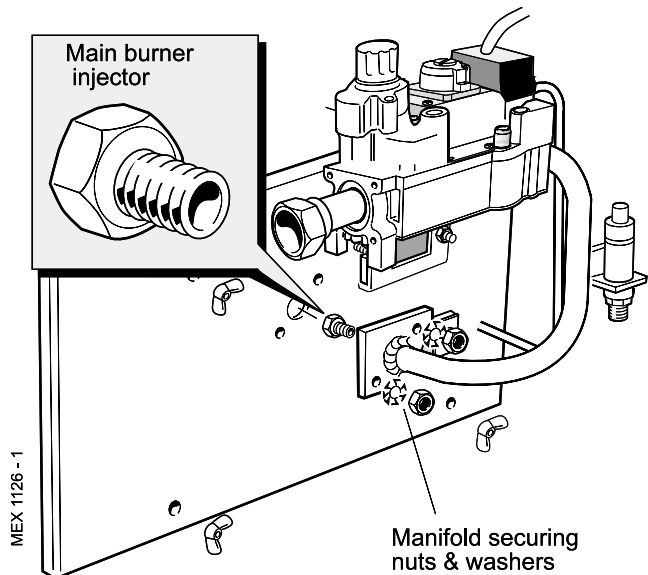
## 47 MAIN BURNER REPLACEMENT

1. Lift off front panel and remove the grille assembly - refer to Frames 31 & 32. Undo the gas cock union. Remove the 4 wing nuts and withdraw the burner and controls assembly, complete, from the boiler.
2. Remove the 2 screws securing the pilot burner and pull the assembly clear of the main burner.
3. Remove the 2 nuts and washers securing the burner to the front plate and manifold. Withdraw the burner.
4. Fit the new burner and re-assemble in reverse order, taking care not to damage the main burner injector which is screwed into the burner manifold.



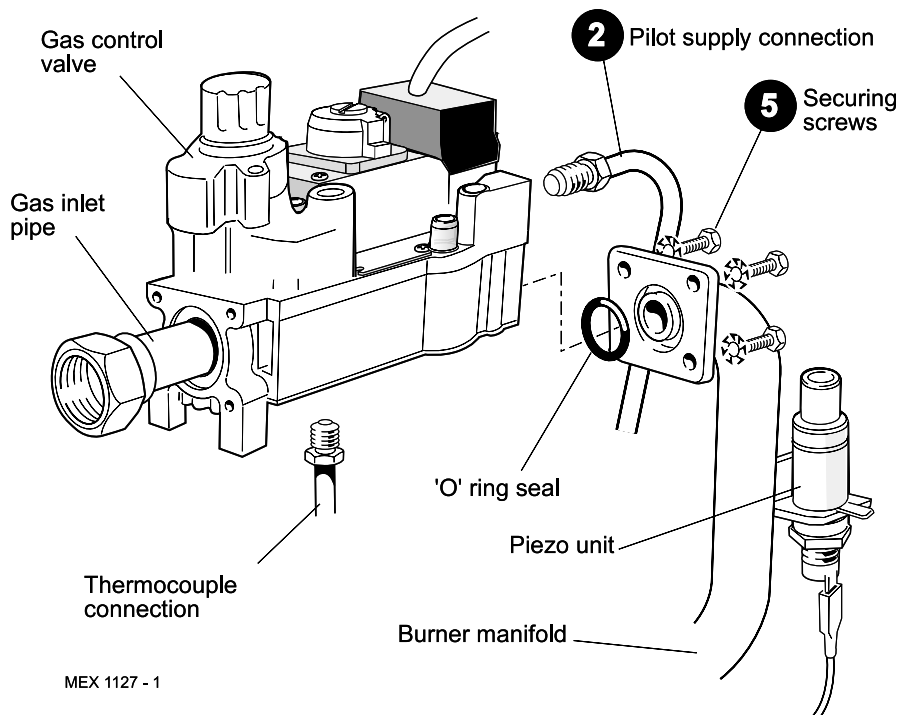
## 48 MAIN BURNER INJECTOR REPLACEMENT

1. Lift off front panel and remove the grille assembly - refer to Frames 31 & 32. Undo the gas cock union. Remove the 4 wing nuts and withdraw the burner and controls assembly, complete, from the boiler.
2. Remove the 2 screws securing the pilot burner and pull the assembly clear of the main burner.
3. Undo the manifold securing nuts and remove the manifold from the front plate.
4. Unscrew the burner injector from the manifold.
5. Fit the new injector, using an approved jointing compound, and re-assemble in reverse order.



## 49 GAS VALVE REPLACEMENT

1. Lift off front panel and remove the grille assembly. Refer to Frames 31 & 32. Undo the gas cock union. Remove the 4 wing nuts and withdraw the burner and controls assembly, complete, from the boiler.
2. Undo the pilot supply connection.
3. Undo the thermocouple connection.
4. Unscrew the gas inlet pipe from the valve.
5. Remove the 4 securing screws and withdraw the valve from the burner manifold.
6. Fit the new gas valve, ensuring that:
  - a. The valve is fitted the correct way round - an arrow engraved on the valve indicates the direction of flow.
  - b. The sealing 'O' ring supplied with the valve is correctly fitted at the outlet flange.
  - c. An approved jointing compound is used when reconnecting the gas inlet pipe.

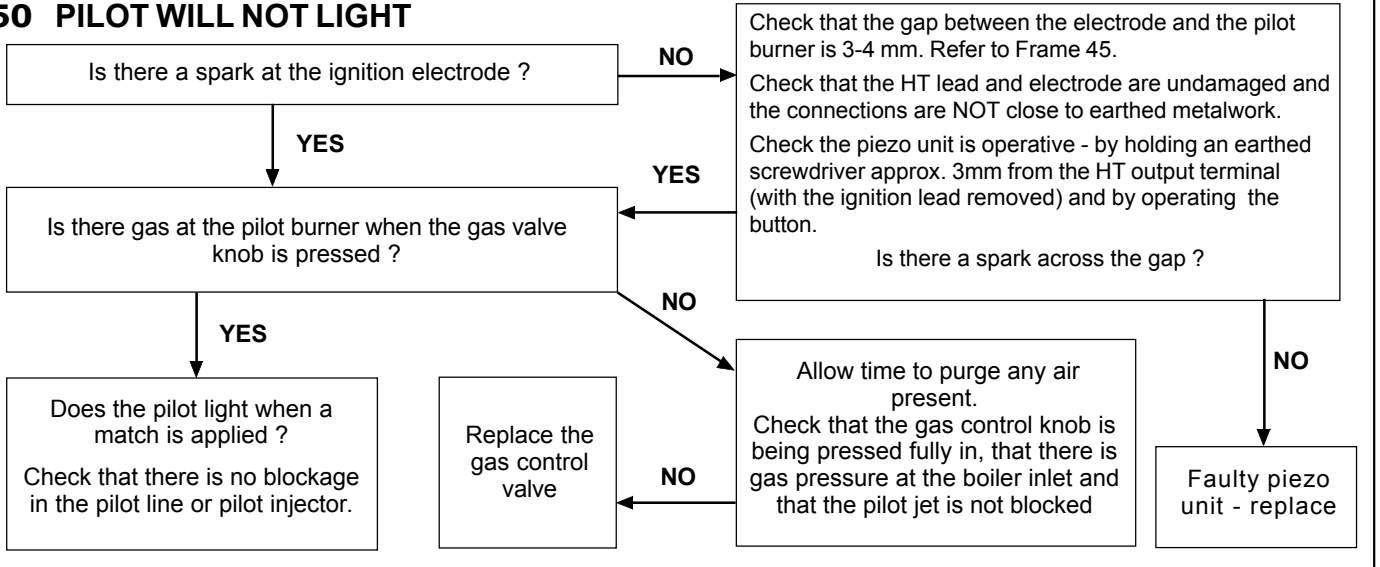


## FAULT FINDING

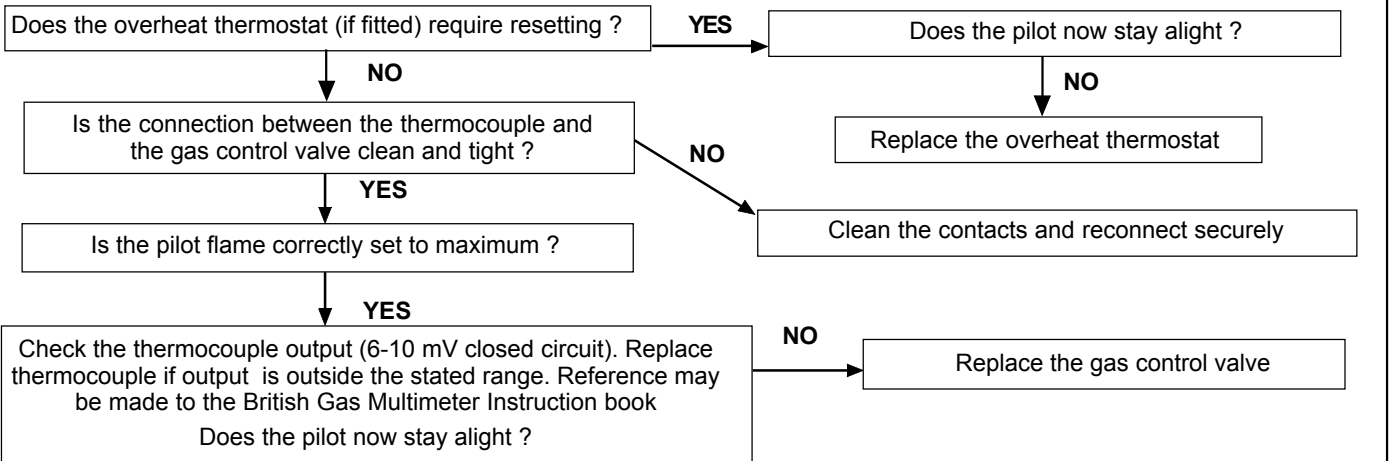
Before attempting any electrical fault finding ALWAYS carry out preliminary electrical system checks, i.e. earth continuity, polarity and resistance to earth using a suitable meter.

Detailed instructions on the cleaning and adjustment or replacement of faulty components are contained in the 'Servicing' section of this publication.

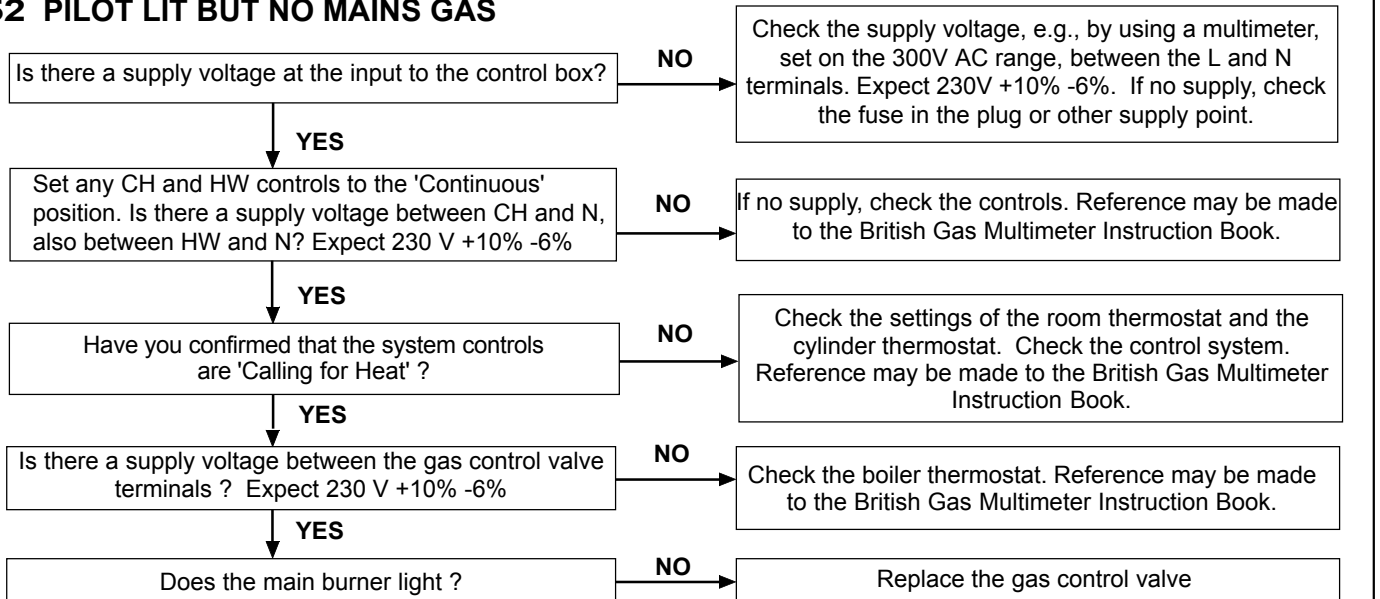
### 50 PILOT WILL NOT LIGHT



### 51 PILOT WILL NOT STAY LIT WHEN THE GAS CONTROL VALVE KNOB IS RELEASED



### 52 PILOT LIT BUT NO MAINS GAS



**Note.** After any faults have been corrected, return all thermostatic and other controls to the previously noted settings

## SHORT LIST OF PARTS

The following are parts commonly required as replacement components, due to damage or expendability. Their failure or absence is likely to affect safety or performance of this appliance.

The list is extracted from the British Gas List of Parts, which contains all available spare parts.

The full list is held by British Gas, **Caradon Plumbing Limited** distributors and merchants.

When ordering spares please quote:

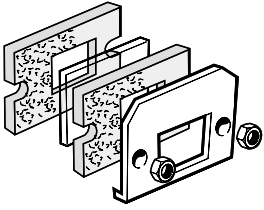
1. Boiler model
2. Appliance G.C. number
3. Description
4. Quantity
5. Product no.

Key No.	G.C. Part No.	Description	Qty.	Product No.	
15	319 494	Sightglass assembly kit comprising sightglass, frame, two sightglass gaskets and two M5 wing nuts.	1	079 334	
18	385 876	Main burner with pilot burner bracket: AEROMATIC No. AC 19/123 266; RS 3/40	1	113 187	
	385 877	AEROMATIC No. AC 19/123 267; RS 3/50 & 3/60	1	113 188	
	382 957	AEROMATIC No. AC 19/123 244; RS 3/70 & 3/80	1	013 857	
19		Main burner injector			
	398 051	BRAY Cat. 10 - size 1200; RS 3/40	1	004 190	
	398 055	BRAY Cat. 10 - size 1400; RS 3/50	1	003 361	
	398 059	BRAY Cat. 10 - size 1700; RS 3/60	1	004 305	
	398 064	BRAY Cat. 10 - size 2200; RS 3/70	1	004 049	
	398 065	BRAY Cat. 10 - size 2300; RS 3/80	1	004 760	
20	382 944	Pilot burner with injector (Key No. 21) HONEYWELL Q 385 A 1020;	1	079 355	
21	381 656	Pilot injector - HONEYWELL 4500 4108 001 double orifice (0.38 / 0.36)	1	003 825	
22	E01 507	Gas valve assembly (V4600A1130 - 230V)	1	079756	
24	395 705	Piezo unit - MORGAN / MATROC 60080-002.	1	003 939	
25	397 945	Ignition electrode - BUCCLEUCH - with HT lead	1	004 713	
26	E01 412	HT lead - 460 mm	1	052 888	
27	390 210	Thermocouple HONEYWELL Q 309 A 2747, 750mm lg.	1	003 876	
32		Thermostat - RANCO K36 - P1354	1	151 903	
33	308 557	Thermostat knob	1	111 904	
49	E01 530	Flue baffle	RS 3/40 RS 3/70	1 2	135 770 135 770

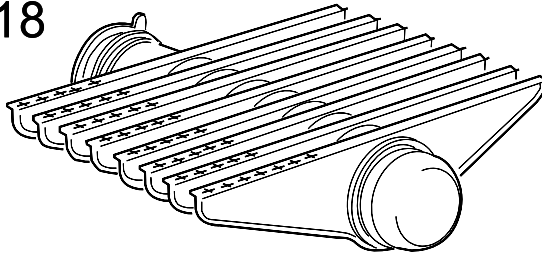
# LIST OF PARTS

## 53 SHORT PARTS

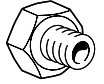
15



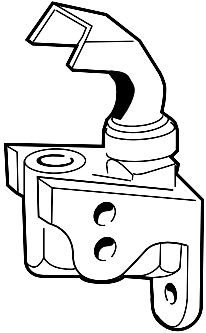
18



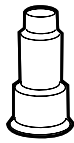
19



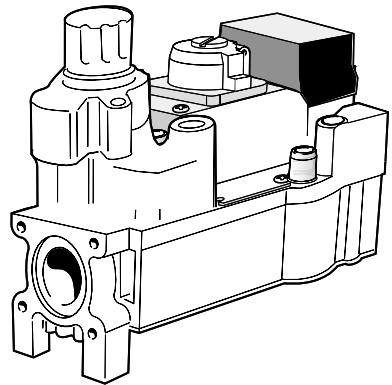
20



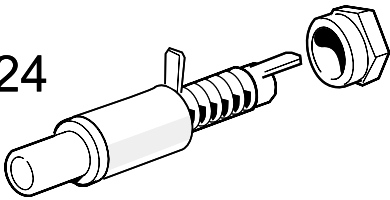
21



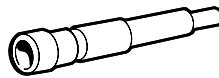
22



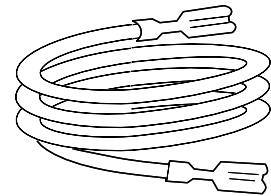
24



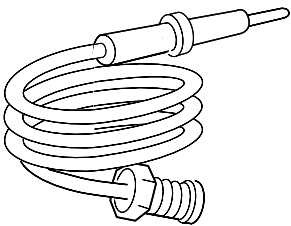
25



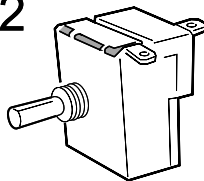
26



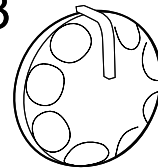
27



32



33



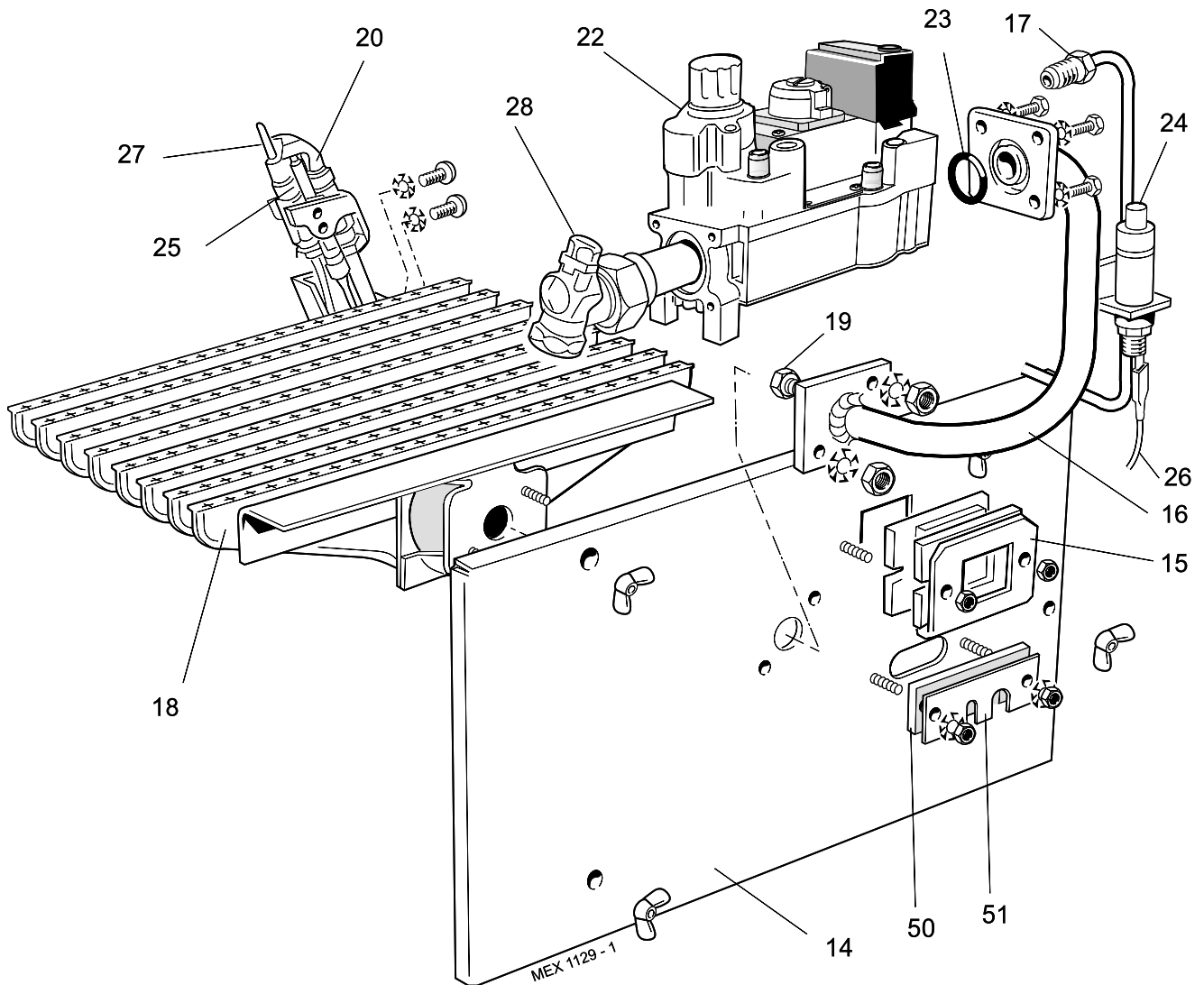
MEX 1128 - 2

## LIST OF PARTS

### 54 BURNER AND CONTROLS ASSEMBLY - Exploded View

**Legend.**

- 14. Front plate assy.
- 15. Sightglass assy.
- 16. Burner manifold.
- 17. Pilot pipe.
- 18. Main burner.
- 19. Main injector.
- 20. Pilot burner.
- 22. Gas valve.
- 23. 'O' ring.
- 24. Piezo unit spark generator.
- 25. Ignition electrode.
- 26. Ignition lead.
- 27. Thermocouple.
- 28. Gas cock.
- 50. Sealing gasket.
- 51. Sealing plate.

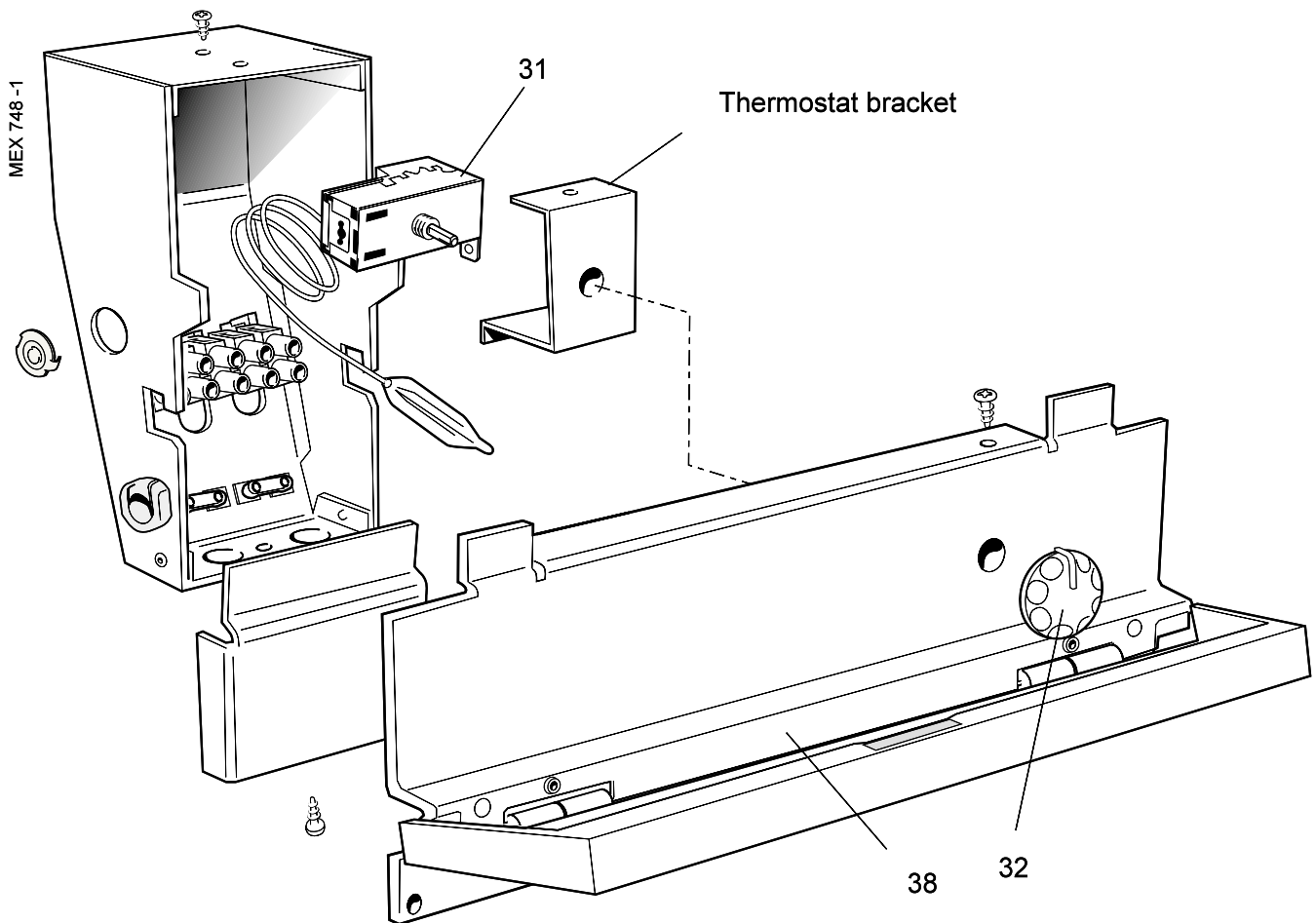


## LIST OF PARTS

### 55 BOILER CONTROL PANEL - Exploded View

**Legend.**

- 30. Control panel complete assy.
- 31. Control box.
- 32. Control thermostat.
- 33. Control thermostat knob.
- 36. Control panel.
- 37. Magnetic strip.
- 38. Control front panel (door).



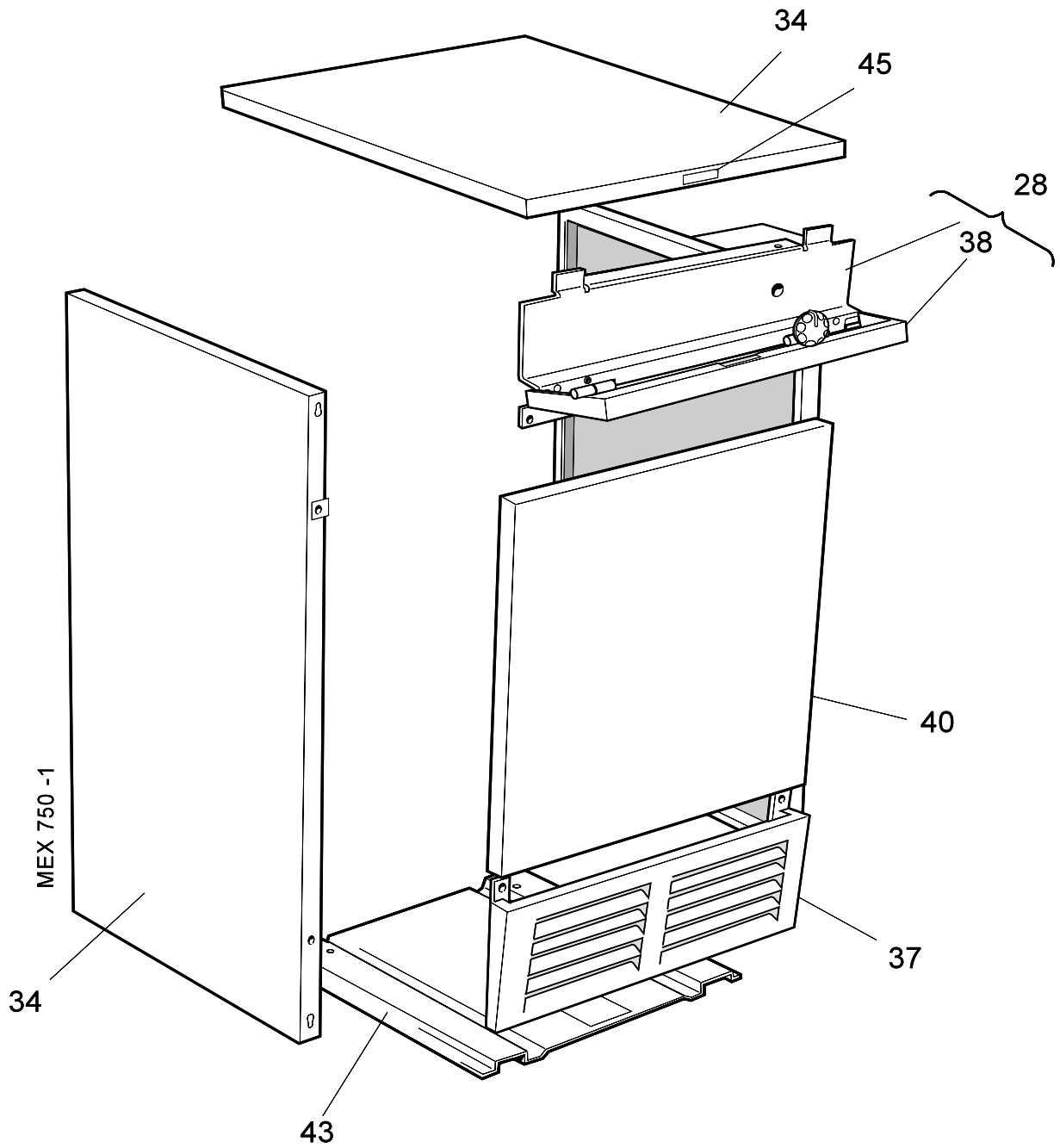


# LIST OF PARTS

## 56 BOILER CASING ASSEMBLY

### Legend.

- 29. Casing complete.
- 30. Controls panel complete.
- 41. Side panel.
- 42. Top panel.
- 43. Grille Assy.
- 44. Lower front panel.
- 47. Baseplate.





**THIS SYMBOL IS YOUR  
ASSURANCE OF QUALITY**

These appliances are designed for use with Natural Gas only. They have been tested and conform with the provisions of BS. 6332 and BS. 5258.

**benchmark™**

*The code of practice for the installation,  
commissioning & servicing of central heating systems*



**CERTIFIED PRODUCT**  
Manufactured under a BS EN ISO 9001: 1994  
Quality System accepted by BSI

**CARADON PLUMBING LIMITED**, P.O. Box 103, National Ave, Kingston upon Hull, HU5 4JN.  
Telephone: 01482 492 251 Fax: 01482 448 858. Registration No. London 322 137. Registered  
Office: National Avenue, Kingston upon Hull, HU5 4JN. *A subsidiary of Caradon p.l.c*

### **Technical Training**

The Caradon Plumbing Ltd Technical Training Centre offers a series of first class training courses for domestic, commercial and industrial heating installers, engineers and system specifiers.

For details of courses please ring: ..... 01270 413624



**Caradon Plumbing Limited** pursues a policy of continuing improvement in the design and performance of its products. The right is therefore reserved to vary specification without notice.

September 1999 UIN 151 907 A03

***i* Ideal** BOILERS

***Ideal Installer/Technical Helpline: 01482 498663***

## YOUR FEEDBACK

*and your chance to win a free boiler*

At Ideal we've been leaders in the design and engineering of robust and reliable boilers for over 90 years. We want to continue as leaders by listening to your suggestions for how to improve our boilers and our service. We will be giving away a free boiler for the five best ideas every year (to be selected by our Technical Director). Please complete this form, using extra sheets if required, and post it or fax it to us on 01482 498699.

### ***Boiler details***

Model / Size (e.g. Classic RS 230, Mexico CF 3/60 etc. Details on control panel door)

Date of Installation

### ***Installer details***

Name

Address

Post Code

Telephone (Please include STD code)

### ***How I would improve this boiler:***

### ***My general comments for Ideal:***

**Caradon**   
Plumbing Solutions

*Ideal Installer/Technical Helpline: 01482 498663*

## Further information

If you would like information about Ideal Boilers please complete this sheet and fax it to us on 01482 498699 or post it to Caradon Plumbing Limited, PO Box 103, National Avenue, Kingston upon Hull, HU5 4JN.

Name

Address

Post Code

Telephone (Please include STD code)

- Please send me details of Ideal Training Courses.
- Please arrange for a technical representative to contact me.
- Please arrange for me to join an Ideal factory tour.

- The Ideal Guide: a specifier's and installer's introduction to the Ideal domestic boiler range.
- The Ideal Householders Guide: to assist the installer when presenting to his/her customers.

- The Ideal C class combi boiler
- The Ideal Classic System wall hung boiler
- The Ideal Classic LX Deluxe wall hung boiler
- The Ideal Mexico floor standing boiler
- The Ideal Minimiser heat-saving boiler
- The Ideal Response combi. boiler
- The Ideal Response SE super efficiency combi boiler
- The Ideal Systemiser SE super efficiency system boiler
- The Ideal Concord high output boiler
- The Ideal Buccaneer oil fired boiler

**Caradon**   
Plumbing Solutions

Caradon Plumbing Ltd., PO Box 103, National Avenue, Kingston upon Hull, HU5 4JN. Telephone: 01482 492251 Fax: 01482 448858.

***Ideal Installer/Technical Helpline: 01482 498663***

