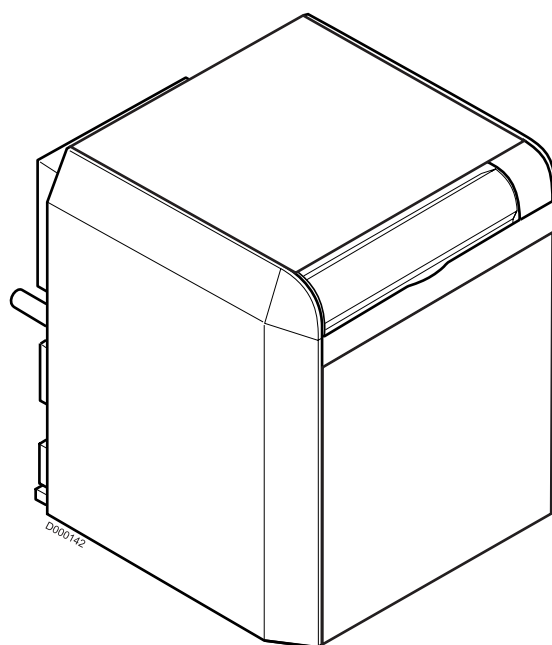


# Remeha Gas 360 S

Gas-fired boilers

English  
20/07/05



Technical  
instructions

CE



300005180-001-A

**remeha**

# Contents

<b>Introduction</b>	<b>3</b>
1 Regulations	3
2 Symbols used	3
<b>Description</b>	<b>4</b>
1 Introduction	4
2 Certifications	4
3 Main parts	5
4 Technical characteristics	7
5 Identification plate	8
6 Main dimensions	9
<b>Operation</b>	<b>10</b>
1 Furnace operation equipped with safety box S4565 BF 1161	10
<b>Adapting to another gas</b>	<b>14</b>
1 Changing the burner nozzles	14
2 Changing the ignition burner injector	14
3 Setting the nozzle pressure	15
4 Setting the start up pressure	16
5 Attaching the label	17
<b>Commissioning</b>	<b>18</b>
1 Pressure settings and calibrated nozzle markings	18
2 Final checks before commissioning	19
<b>Maintenance</b>	<b>20</b>
1 Checking and cleaning the main components	20
<b>Incidents and solutions</b>	<b>22</b>
<b>Spare parts Gas 360 S</b>	<b>24</b>
<b>Warranty</b>	<b>33</b>

## Introduction

This product will be marketed in the following European Union member states:


GB - HU - ES


### Directive 97/23/CE

Gas and oil boilers with a maximum operating temperature of 110°C and hot water tanks with a maximum operating pressure of 10 bar pertain to article 3.3 of the directive, and therefore, cannot be CE-marked to certify compliance with the directive 97/23 EC.




The boilers and hot water tanks are designed and manufactured in accordance with the sound engineering practice, as requested in article 3.3 of the directive 97/23/EC; it is certified by compliance with the directives 90/396/EC, 92/42/EC, 73/23 EC and 89/336/EC.

## 1 Regulations

 It is in any case imperative to conform to the local regulations in force.

 We would draw your attention to the danger of corrosion in boilers located in or close to premises in which the atmosphere may be polluted by chloride or fluoride compounds. For example: Hairdressing salons, industrial premises (solvents), refrigeration units. In this event, we cannot uphold the warranty.

## 2 Symbols used

	Caution danger	Risk of injury and damage to equipment. Attention must be paid to the warnings on safety of persons and equipment
	Specific information	Information must be kept in mind to maintain comfort
	Reference	Refer to another manual or other pages in this instruction manual

# Description

## 1 Introduction

Gas 360 S boilers are made of cast iron:

- with atmospheric gas burners
- with electronic ignition via the ignition burner for hot water central heating
- with a useful output of between 54 and 117 kW

They are designed to be connected to a chimney.

The figure given after Gas 360 S indicates the number of sections which make up the boiler.


Gas 360 S boilers are delivered with a K control panel. They can be fitted with an optional RC4 and RC5 control unit (master-slave control unit options).

## 2 Certifications

### 2.1 Introduction


It is CE approved under the following number : 0085AU0115

The boilers are in compliance with the EC directives:

- Royal Decree dated 8th January 2004
- 90/396/EEC Gas Appliance Directive:  
Reference Standard : EN 297 ; EN 656
- 73/23/EEC Low Voltage Directive:  
Reference Standard : EN 60.335.1
- 89/336/EEC Electromagnetic Compatibility Directive  
Reference Standard : EN 50.081.1 ; EN 50.082.1 ; EN 55.014
- 92/42/EEC Efficiency Directive \*\*,  
Gas fired condensing boiler
- Type B11<sub>BS</sub> (8 sections): This model is factory-fitted with a flue gas anti-overflow thermostat.
- Type B11 (10 to 14 sections): These models can be fitted with the optional flue gas anti-overflow thermostat.

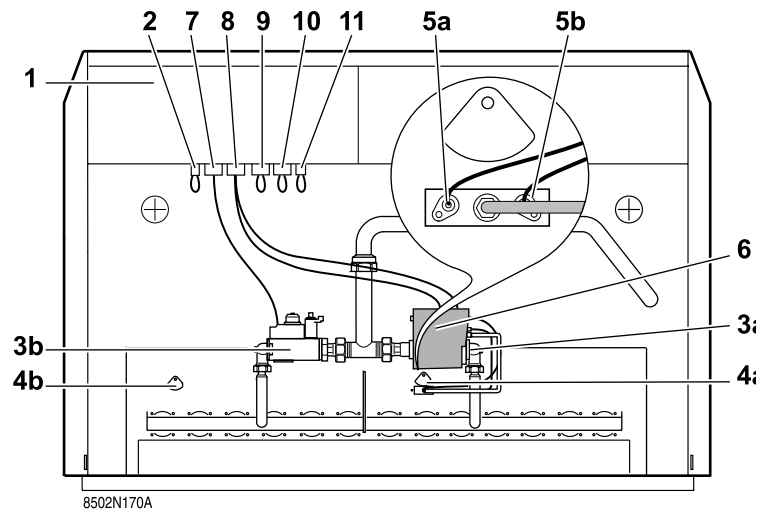
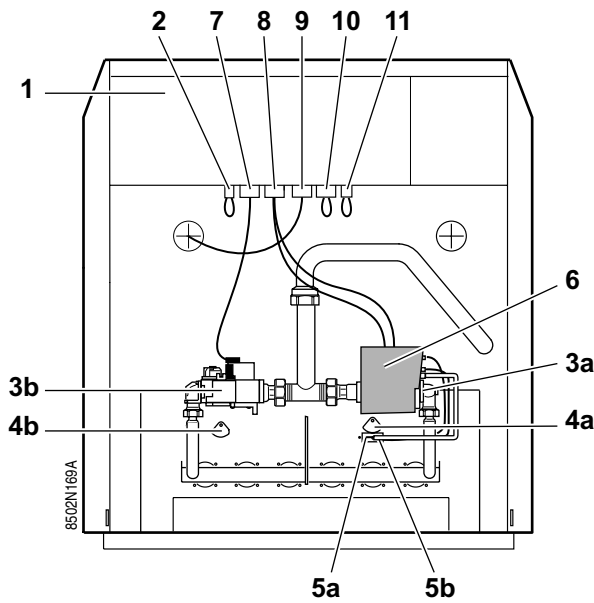
### 2.2 User country

User country	ES		HU		GB	
Category	II <sub>2H3P</sub>		II <sub>2H3P</sub>		II <sub>2H3P</sub>	
Gas type	G20	G31	G20	G31	G20	G31
Distribution pressure (mbar)	20	37	25	50	20	37

 The boilers leave the factory operating with H natural gas.

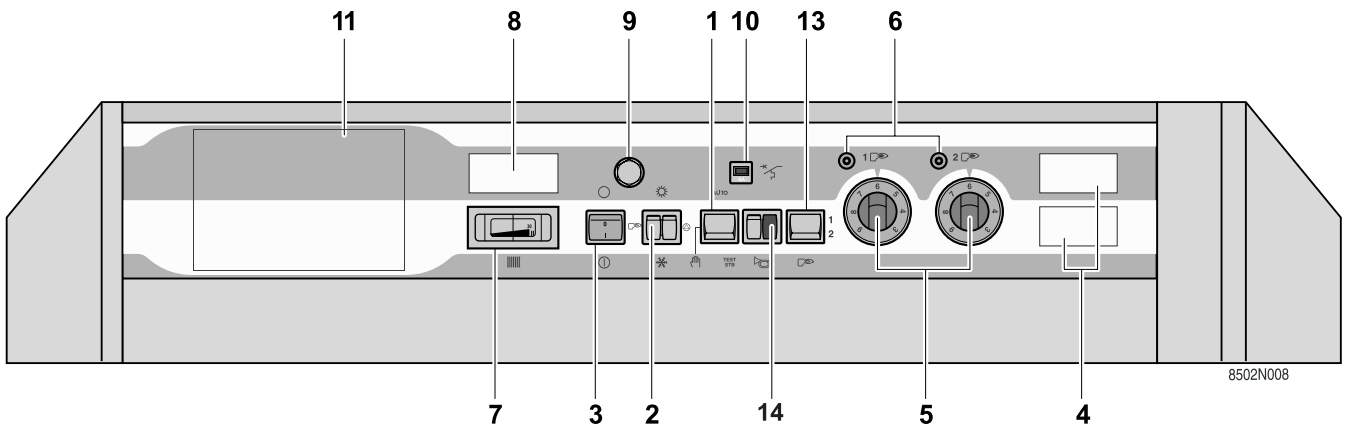
### 3 Main parts








#### 3.1 Boiler



- 1 Control panel
  - 2 Connection for a minimum gas control pressure pressure-sensitive switch  
Natural gas: 12.5 mbar  
Propane: 20 mbar
  - 3 Gas valve:
    - a. Gas valve 1st stage ; Type VK4100C1026
    - b. Gas valve 2nd stage ; Type VK4105C1066 (Formats: 8-12 sections) and Type VR4605CB1033 (Formats: 14 sections)  
Ignition of the principal burner is done progressively.
  - 4 Flame inspection window
    - a. Flame inspection window 1st stage
    - b. Flame inspection window 2nd stage
  - 5 Complete ignition burner
    - a. Ignition electrode: This ensures ignition burner ignition using a high voltage spark
    - b. Ionisation probe: It detects flame presence on the ignition burner by flame ionisation
  - 6 Safety box: The ignition and burner surveillance sequences are ensured by the safety box.  
Type: Honeywell S 4565 BF 1161
- i** After activating the reset button, the warning light goes out and the safety control box restarts **after a waiting time of around 1 minute**
- 7 Burner connector 2nd stage
  - 8 Safety control box and burner connector 1st stage
  - 9 Draught diverter thermostat connector (as standard for 8 section models and optional for 10 to 14 section models (package RD19))
  - 10 Flue damper connector bridge (only for Gas 360 L)
  - 11 Connection kit, cyclic leak proofing control (cyclic leak proofing controller option, package RD18)

## 3.2 Control panel



- 1 **3-position switch Auto / Manual  / TEST STB**
  - The switch may be left on either position manual  or automatic **AUTO**.
  - **STB TEST**: temporary action to test the safety thermostat.
  - Press the TEST STB switch and set pump shut-off switch (2)  to the "Summer" position .
- 2 **Switch Burner / Heating pump:**  
This button is used to control the burner and the heating pump.  
Both buttons are in "Winter"  position: heating and hot water production systems operate (if a hot water tank is included).  
Both buttons are in "Summer"  position: The burner and the heating pump don't operate.  
If the boiler is fitted with a control unit, both buttons must be left on the Winter  position.
- 3 **Main ON/OFF switch**
- 4 **Location for hour run meter for the first and second stage (optional)**
- 5 **Boiler thermostat (30 to 90 °C):**  
A factory-set stop limits the maximum temperature to 75 °C. The stop may be moved if necessary.
- 6 **Stage one or stage two indicators:**  
These only go on if the relevant thermostat or control unit require heating and if the safety contact is closed.
- 7 **Boiler thermometer**
- 8 **Location for flue gas thermometer (optional)**
- 9 **Safety thermostat with manual reset (set to 110 °C).**
- 10 **10 A Circuit-breaker: with delayed action and manual reset.**
- 11 **Location for optional features or a RC4/RC5 control unit**
- 13 **Switch for selecting the number of burner stages**
- 14 **Burner alarm indicator + Reset button**

## 4 Technical characteristics

The boilers can operate on natural gas H/E or propane.

Conversion to propane is done following the operations described in the chapter "Adaptation to another gas".

Boiler	Gas 360 S/		8	10	12	14
Useful efficiency	1st stage	kW	36	45	54	54
	2nd stage	kW	63	81	99	117
Power input	1st stage	kW	39.4	49.1	58.8	58.8
	2nd stage	kW	68.9	88.4	107.8	127.2
Number of sections		Part	8	10	12	14
Mass flue gas flow rate <sup>(1) (2)</sup>	1st stage	Kg/h	140	166	199	199
	2nd stage		138	177	216	255
Flue gas temperature Tf <sup>(1) (2)</sup>		°C	135	135	135	135
CO <sub>2</sub> (Natural gas H) <sup>(1)</sup>		%	7.4	7.4	7.4	7.4
Ionisation current <sup>(1)</sup>		µA	3	3	3	3
Required depressurisation at the nozzle <sup>(1)</sup>		mbar	0.04	0.04	0.04	0.04
Minimum outlet temperature		°C	30	30	30	30
Maximum outlet temperature		°C	90	90	90	90
Maximum operating pressure		bar	6	6	6	6
Electrical connection		V/Hz	230/50	230/50	230/50	230/50
Electrical output <sup>(3)</sup>		W	25	25	25	25
Gas connection		inch	R1	R1	R1	R1
Heating connection		inch	R 1 1/2	R1 1/2	R1 1/2	R1 1/2
Internal diameter flue gas nozzle		mm	180	200	200	225
Water resistance <sup>(1)</sup>	Δ T = 10K	mbar	56	120	216	320
	Δ T = 15K		25	53	96	142
	Δ T = 20K		14	30	54	80
Water capacity*	l	l	32.6	39.8	47	54.2
Shipping weight		kg	257	305	357	408

<sup>(1)</sup> At nominal output (2nd stage)

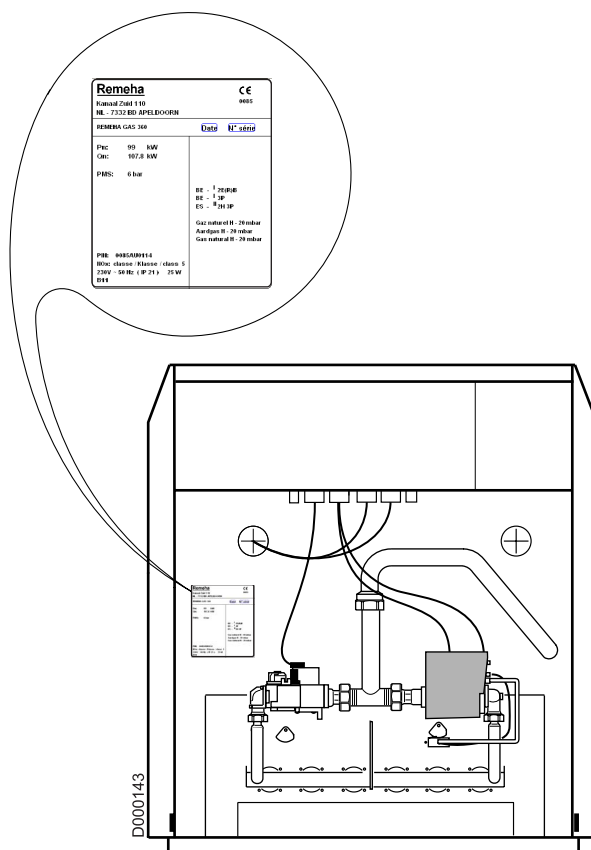
<sup>(2)</sup> Boiler temperature 80°C

<sup>(3)</sup> Electrical output of the boiler **only** with no accessories

### Conditions of use

- Maximum safety temperature: 110°C
- Maximum operating pressure: 6 bar
- Thermostat adjustable from 30 to 90°C
- Safety thermostat: 110° Put the insulation plate \*1 under the burner after unscrewing the self-tapping screw \*2 pre-assembled to the baseC

## 5 Identification plate

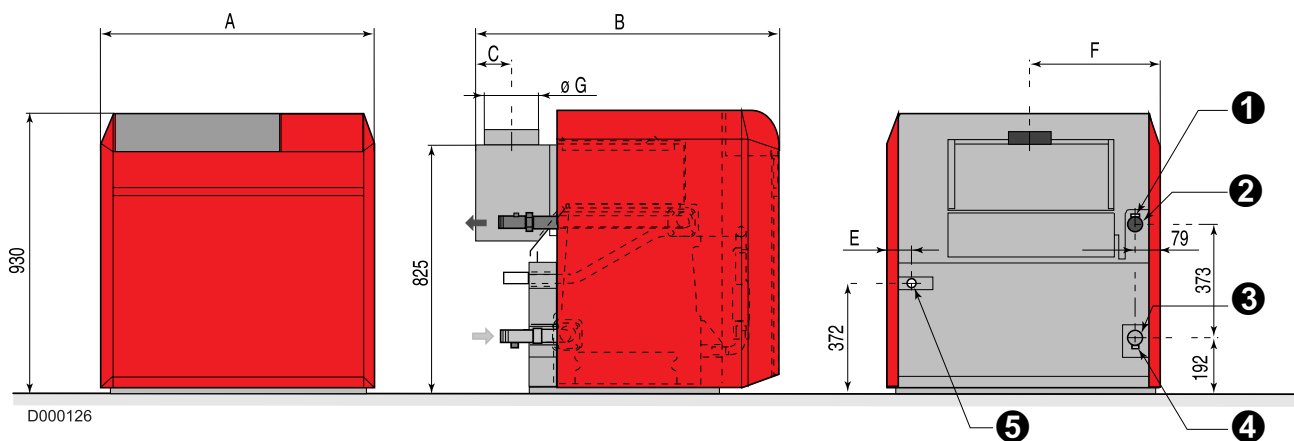


The rating plate affixed to the front panel during assembly provides the exact identification of the boiler and indicates its principal characteristics.

(1) 04 = 2004, 05 = 2005



## 6 Main dimensions



- ❶ Connection for safety valves Rp 1
- ❷ Heating outlet R 1 1/2
- ❸ Heating return R 1 1/2
- ❹ Draining Rp 3/4
- ❺ Gas inlet R 1

Boiler Gas 360 S	8	10	12	14
A (mm)	946	1113	1280	1447
B (mm)	952	1007	1007	1007
C (mm)	102	124	124	124
E (mm)	75	75	75	75
F (mm)	494	578	661	745
Ø G interior (mm)	180	200	200	225

## 1 Furnace operation equipped with safety box S4565 BF 1161

### Operating principle

The ignition and burner surveillance sequences are ensured by the safety box.

### Behaviour in normal conditions

If needed, the boiler thermostat TCH1 closes the contact. The ignition transformer **TA** integrated into the safety control box and the ignition burner valve **VBA** (supply to the ignition burner) are switched on. Gas from the ignition burner is ignited by the ignition electrode and within the time interval **ts**; a minimum current of 0.9  $\mu$ A appears on the ionisation sensor **SF** and the gas valve regulation flap (supplying the principal burner) opens. If, moreover, TCH2 is required, the 2nd stage valve **VP2** opens.

### Behaviour in abnormal conditions

- If the flame is not detected before the end of the safety time **ts**, the safety control box goes into safety lockout and the safety lockout warning light comes on. To restart the heater, press the reset button on the safety box.
- If there is a loss of flame in normal operation, the box automatically repeats the start up sequence.
- If the flame goes out before start-up, the safety control box remains on standby.

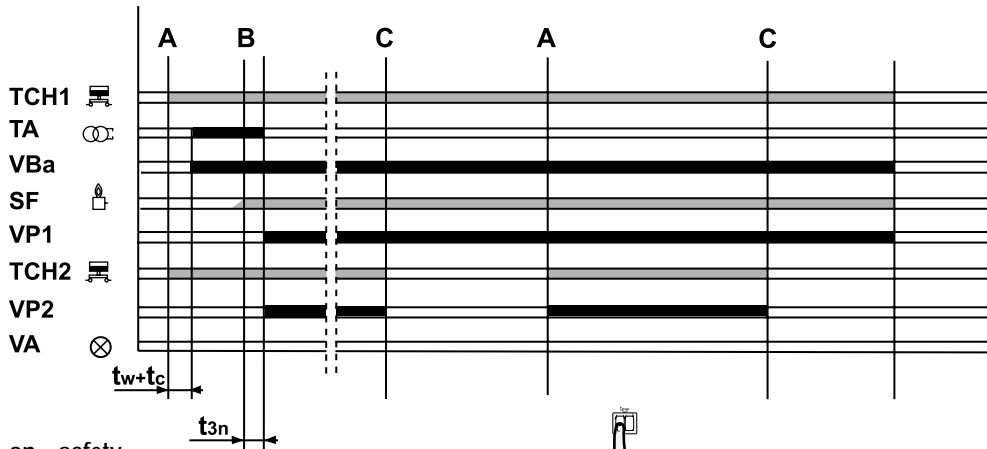
### Resetting

The box is reset after going into safety by pressing the reset button. If the reset button does not work, wait at least 15 seconds before trying a second time. After activating the reset button, the warning light goes out and the safety control box restarts **after a waiting time of around 1 minute**.

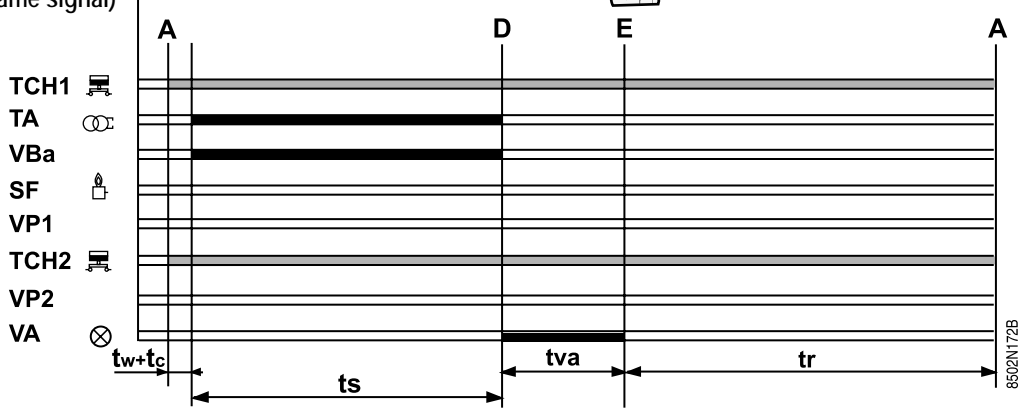
**Note 1:** The box may be on safety on its first start up: press the reset button to release it.

**Note 2:** If the reset button is pressed in normal operation, the gas valves close and the box starts a new ignition sequence.

## Normal operating cycle

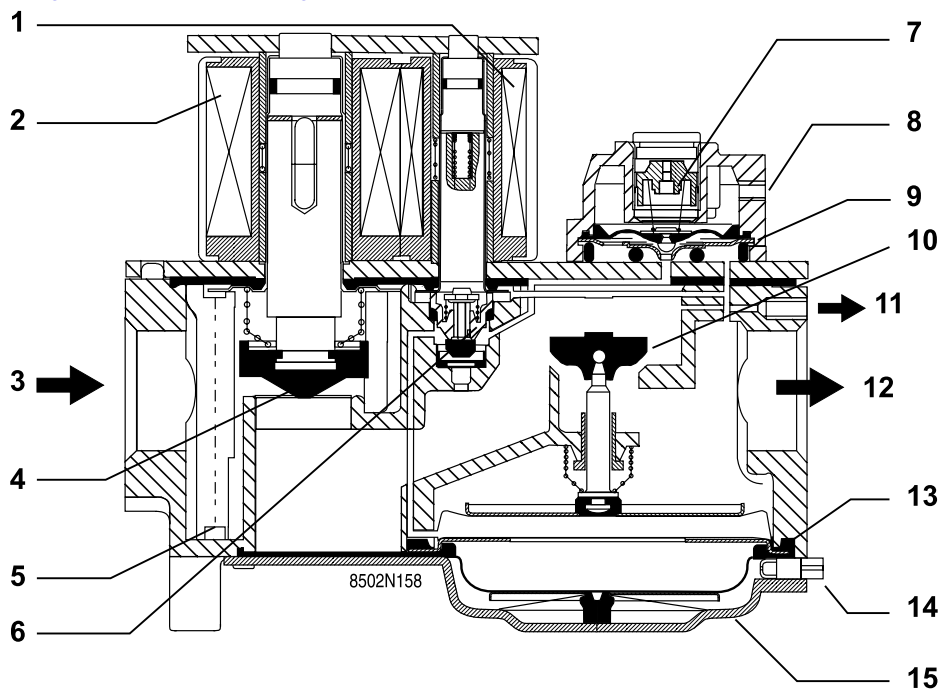


## Operating cycle on safety (start up without flame signal)



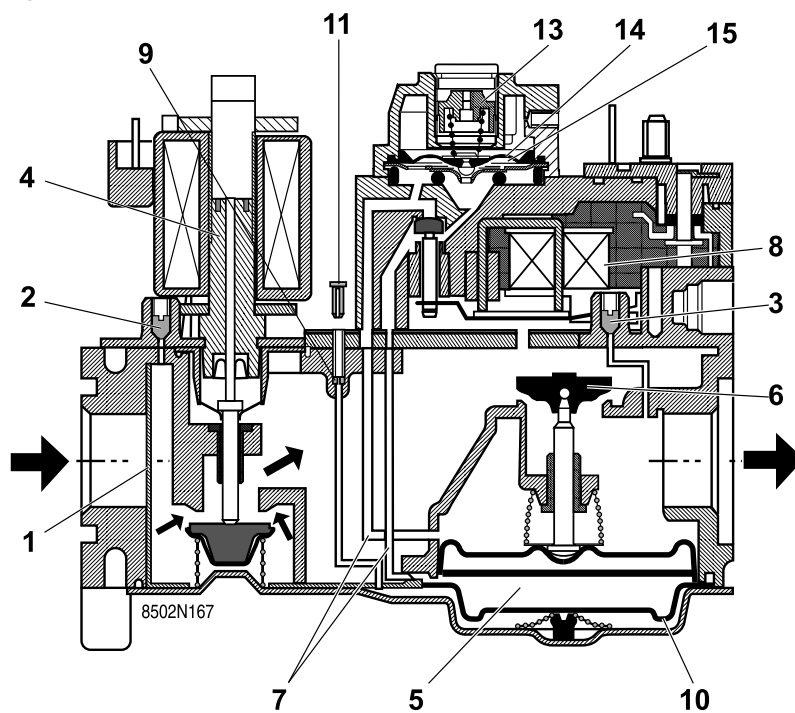
- A Heat requirement 1 and 2 stage
- B Formation of flame in ignition burner
- C Heat requirement 1 Speed
- CO Closing valve
- D On safety through absence of flame signal
- SF Burner flame signal
- TA Ignition transformer
- TCH1 Boiler thermostat 1 Speed
- TCH2 Boiler thermostat 2 Speed
- VA Safety lockout warning light
- VBa Ignition burner valve
- VP1 Main burner valve 1 Speed
- VP2 Main burner valve 2 Speed
- $t_{3n}$  Flame stabilisation time: about 3 seconds
- tr Restart waiting time
- ts Safety time: maximum 55 seconds
- tva Alarm time: 15 seconds
- tw Waiting time: 0 seconds
- tc Auto-control time: 1.5 seconds
- ▒ Required input signals
- ▀ Box output signals

1.1 Gas valve (1st stage all models or 2nd stage 8 to 12 section models)



- 1 Solenoid control valve
- 2 Safety solenoid valve
- 3 Gas inlet
- 4 Safety valve, quality level B
- 5 Gas filter
- 6 Valve
- 7 Pressure adjustment screw
- 8 Pressure socket
- 9 Membrane
- 10 Main valve, quality level D
- 11 Outlet to the ignition burner (\*only on 1st stage valve VK4100C1026)
- 12 Outlet to principal burner
- 13 Principal valve membrane
- 14 Start-up pressure adjustment screw
- 15 Start-up pressure membrane

1.2 Gas valve (2nd stage, 14 section models)

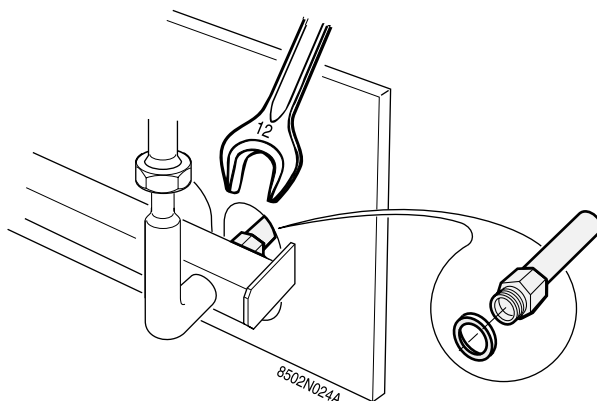


- 1 Gas filter
- 2 Input pressure socket
- 3 Output pressure socket
- 4 Safety solenoid valve
- 5 Lower regulation chamber
- 6 Controlled regulation flap
- 7 Distribution channel
- 8 Solenoid control valve
- 9 Threshold ignition system
- 10 Lower membrane on the threshold ignition system
- 11 Protection cap for the "soflite" vent
- 13 Flow adjustment screw, maximum power
- 14 Pressure regulator membrane
- 15 Regulation chamber

## Adapting to another gas

Valid for switching from natural gas H/E to propane and vice versa.

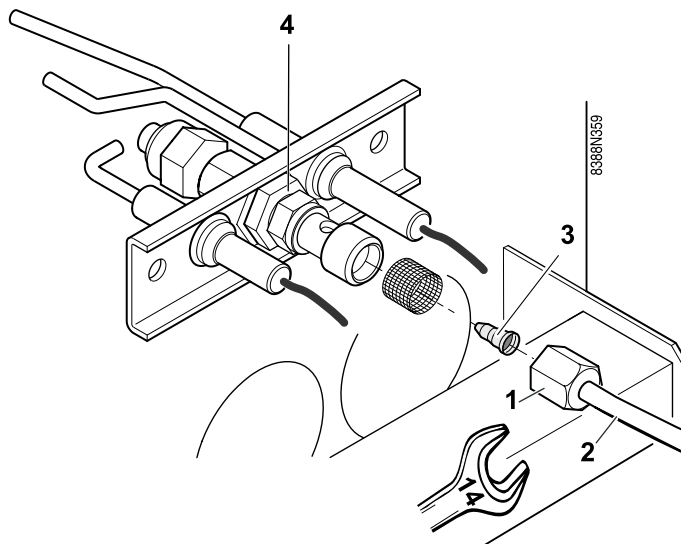
### 1 Changing the burner nozzles



- Remove the nozzles with a 12 mm spanner and fit the new nozzles with their new seals.

**i** First tighten the nozzles by hand and carefully lock them using a spanner. Carry out a leak tightness check.

### 2 Changing the ignition burner injector



**1** Unscrew the connecting nut (14 spanner),

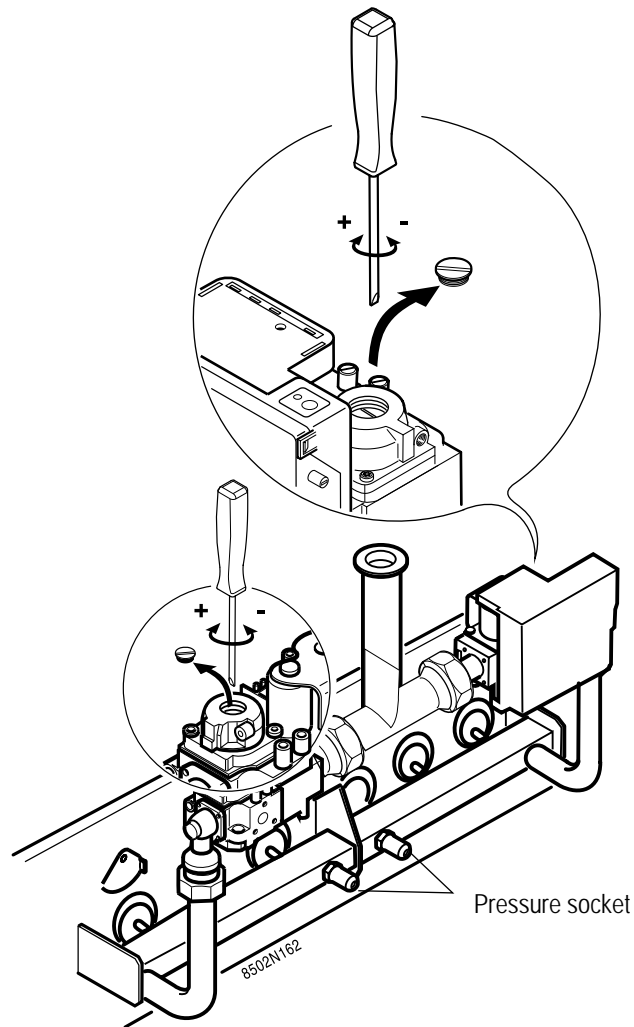
**2** Pull the gas supply pipe towards yourself.

**3** Take out the ignition burner nozzle.

**4** Fit the new nozzle .

**5** Re-attach the supply tube (14 spanner).

	Natural gas H	Propane
Nozzle marking	40	30
Nozzle diameter	0.40 mm	0.30 mm



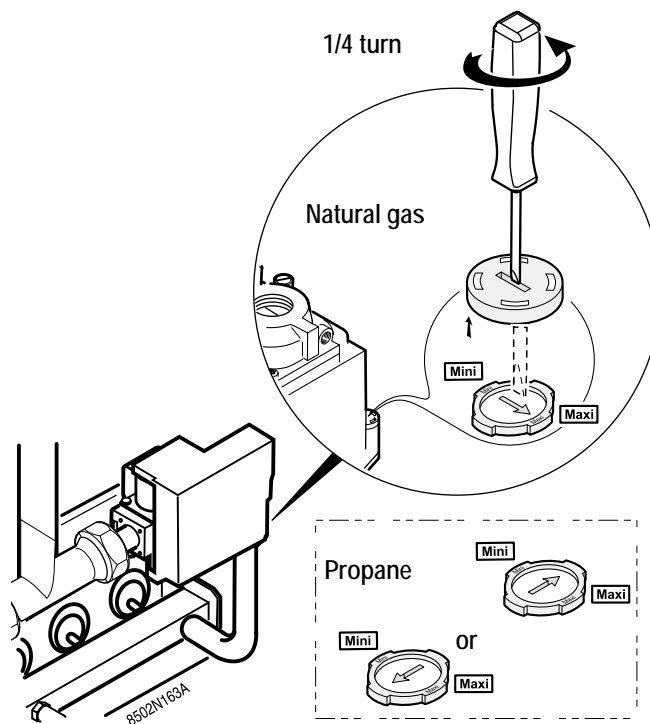
The pressure must be set by a qualified professional.

The boiler must be commissioned after having checked the points covered in this chapter: Final checks before commissioning.

- Connect the manometer to the left or right pressure outlet on the manifold.
- Turn the boiler on. Set the boiler thermostats to maximum.
- Unscrew the protection cap on each valve.
- Set the pressure on the left and right valves as shown in the table in the relevant chapter: Pressure settings and calibrated nozzle markings. Use the screw located under the protection cap. The pressure must be the same **on both pressure outlets** on the manifold.
- Replace the protection caps.

**i** When replacing a gas valve:

- Carefully set the pressure and progressivity at the opening as described in this chapter.



If necessary, the start-up pressure can be set on the **right valve (1st stage)** using a flat screwdriver.

To modify this setting, it necessary first to remove the protection using a screwdriver (1/4 turn).

In the factory, it is set to **maximum**..

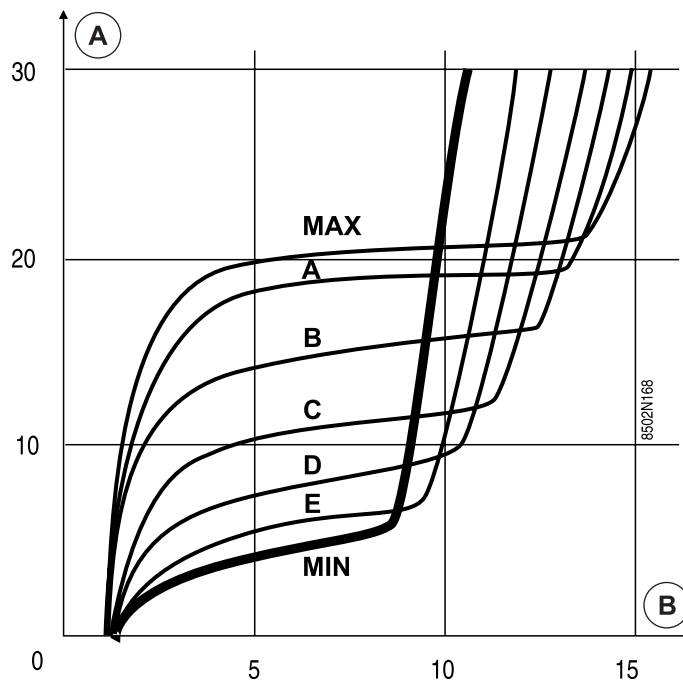
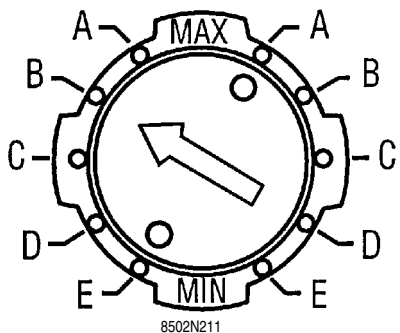
	Natural gas H	Propane
Start-up pressure	11 mbar	10 mbar
Recommended position	"Maxi"	between "Mini" and "Maxi" (1/4 turn)

**i** The progressivity of the left valve (2nd stage) is always set to "Minimum".

**i** No setting is needed on the left valve on a 14-element boiler.



#### 4.1 Operation of the progressivity screw setting



A. Downstream pressure (mbar)

B. Time (s)

#### 5 Attaching the label

Affix the label which indicates for which type of gas the boiler is fitted and set.

# Commissioning

## 1 Pressure settings and calibrated nozzle markings

### 1.1 Table of pressure settings and nozzle markings

Boiler type Gas 360 S/			8	10	12	14
<b>Nozzle pressure</b>						
	Natural gas H	mbar	14	14	14	14
	Propane	mbar	36	36	36	36
<b>Start-up pressure</b>						
	Natural gas H	mbar	11	11	11	11
	Propane	mbar	10	10	10	10
<b>Nozzle</b>						
	Number of nozzles		7	9	11	13
	Nozzle markings natural gas H/E		257B	257B	257B	257B
	Marking, propane nozzles		160B	160B	160B	160B

### 1.2 Flow table (15°C - 1013 mbar)

Boiler type Gas 360 L /			8	10	12	14
<b>Natural gas H</b>						
	2nd stage	m <sup>3</sup> /h	7.29	9.35	11.41	13.46
<b>Propane</b>						
	2nd stage	kg/h	5.35	6.87	8.37	9.88

## 2 Final checks before commissioning

**!** The first start-up is to be performed by your installation engineer.

Check the following points before starting the heater:

### Hydraulic circuit:

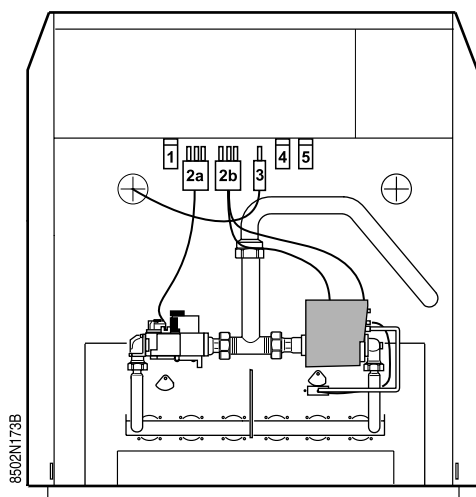
- ▶ Check that the installation and boiler are adequately filled with water and correctly irrigated and bled.
- ▶ Check that the hydraulic connections are leak tight.

### Gas circuit:

- ▶ Check the adjustment of the gas line:
    - Connect a manometer to the pressure socket located on the manifold.
    - Check that the nozzle pressure and the start-up pressure match the pressures given in the relevant chapter: Pressure settings and calibrated nozzle markings.
- If necessary, adjust the pressure as shown in the relevant chapters: Setting the nozzle pressure and Setting the start up pressure.

### Electrical connectors:

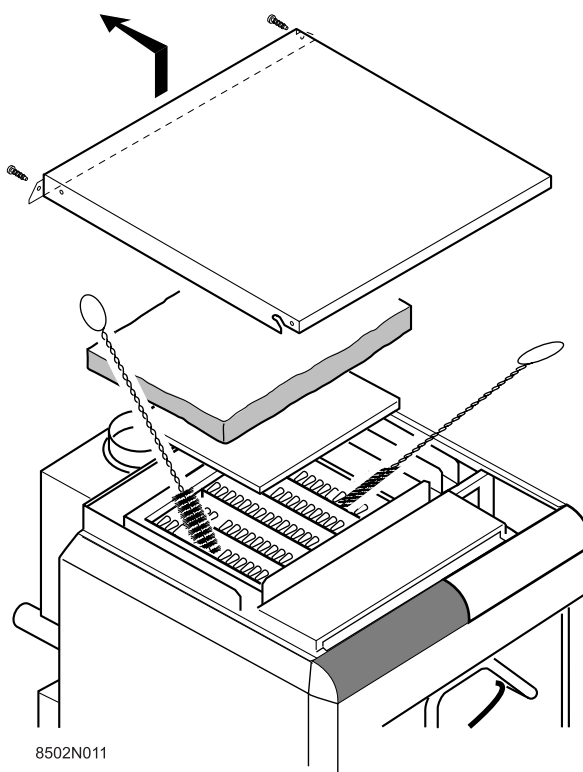
Check that the connectors under the control panel are correctly fitted:



- 1 Gas pressostat, Not used (bridge factory-fitted)
- 2a Gas valve 2nd stage
- 2b Safety box + Gas valve 1st stage
- 3 Anti-backflow thermostat Package RD19 (optional as of 10 section models) (bridge factory-fitted)
- 4 Flue damper (
- 5 Leak proofing system, Package RD18 (bridge factory-fitted) (Not used) (bridge factory-fitted)

### 1 Checking and cleaning the main components

#### 1.1 Cleaning heater body



The extent of clogging on the heating body must be checked once a year.

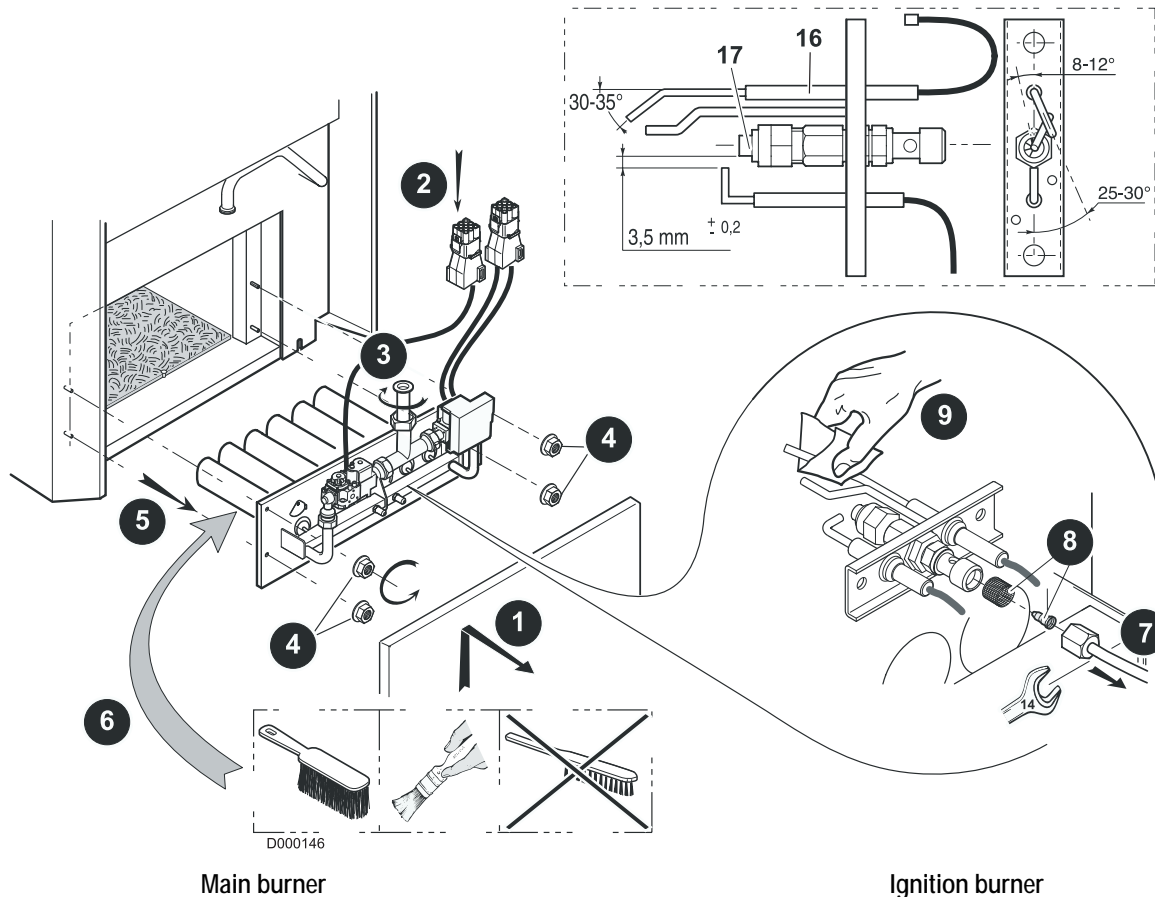
If it is necessary to sweep the boiler, remove the burner drawer to prevent deposits and soot blocking the orifices in the gas trains.

With the burner out:

- Take the column head out of the heater
- Take out the insulation
- Remove the sweeping hatch from the draught diverter
- If necessary, clean the boiler body using the special brush provided
- Clean the combustion chamber using a vacuum cleaner

## 1.2 Cleaning main burner and ignition burner

The main burner and the ignition burner injector with its filter must be regularly cleaned to ensure good performance. We recommend doing this at least once a year.



Main burner

Ignition burner

- Switch off the boiler electrical power supply
- Cut the gas supply

- 1 Remove the front panel
- 2 Disconnect the valve connectors under the control panel
- 3 Position the component holder plate on the studs on the casing
- 4, 5 Remove the burner drawer held by 4 nuts + washers
- 6 Clean the burner with a brush, a vacuum cleaner or a blower

**!** Do not use a metal brush.

**i** On reassembly, replace the burner earth wire 5 fixed to the right holding nut on the burner drawer.

- 7 Unscrew the connecting nut (14 spanner)
- 8 Pull the gas supply pipe towards yourself
- 9 Take out the injector and the filter. Clean the filter and the ignition burner injector. We recommend doing this at least once a year

- Re-attach the supply tube (14 spanner)
- Check the position of the ionisation probe 16, the ignition electrode gap 9 and the position of the flame diffuser 17 in terms of the sizes indicated on the drawing (required in the event of heater malfunction).


**!** After reassembly, check for leak tightness.

## 1.3 Painted surfaces

The painted surfaces can be cleaned with tepid or cold soapy water. Wipe the painted surfaces with a soft cloth or a damp sponge.

## Incidents and solutions

Symptoms	Probable causes	Solution
The heater does not start and the safety box is not affected (red alarm indicator off)	- The heater thermostat is requiring heat	- Create a demand by moving the heater thermostat or the setting level (option).
	- Setting (option) is not requiring heat.	
	- The safety thermostat has been triggered after overheating.	- Solve the cause of overheating and reset the safety thermostat.
	- No current	- Place the Stop/Start switch on "On"
The burner does not ignite and the safety box is not affected (red alarm indicator off)	- On safety because of a lack of gas	- Purge the gas supply pipe then reset the heater using the panel reset button
	- Faulty gas valve (1st stage)	- Check the gas valve and replace if necessary.
	- No spark from the electrode	- Check the electric cable connection to the safety box and the electrode
	- Commissioning by switching off the draught diverter thermostat	- Check for adequate draw on the chimney connection. Press the reset button on the safety control box.
	- No ionisation current	- Check the ionisation probe and earth wire connection. - Check the position of the ionisation probe and the flame diffuser in the ignition burner
- Blocked filter or ignition burner injector	- Clean the filter and the ignition burner injector	
The burner ignites and the safety box goes into standby (burner cut and the alarm indicator flashes)	- Anti-blowback thermostat cut	- Check for adequate draw on the chimney connection. Press the reset button on the safety control box. - Check that the draught diverter thermostat is in good condition. Press the reset button on the safety control box. Please note the seriousness of unplanned intervention on the combustion product evacuation checking device : evacuation faults must be solved by improving the draught in the chimney. In the event of a thermostat fault, it must be replaced by a part stated on our "Spare parts list". Its position must not be changed, it is defined by the 2 fixing brushes which are positioned in 2 holes in the anti-blowback device. The thermostat must not be placed out of service.
The burner ignites and the safety box is affected (alarm indicator on)	- Inversion of the phase and neutral wires on the heater's command panel	- Connect the phase to terminal 1 and neutral to 2.
The burner ignites but with reduced power	- Upstream pressure too weak	- Check gas supply
	- Dirty filter	- Clean the filter
	- Gas block faulty	- Change them
	- Nozzles and/or diaphragms unsuitable (See Table "Pressure setting and marking of calibrated injectors")	- Check them
	- Faulty gas valve	- Check gas valve and replace if necessary
	- Injectors too small	- Check them (See Table "Pressure setting and marking of calibrated injectors")
Dirty cast iron body (hearth)	- Upstream pressure too high	- Check gas supply
	- Dirty burner	- Clean the burner
	- Insufficient or poorly placed air supply	- Enlarge air supply, smoothen airtion holes
	- Faulty gas valve	- Check gas valve and replace if necessary

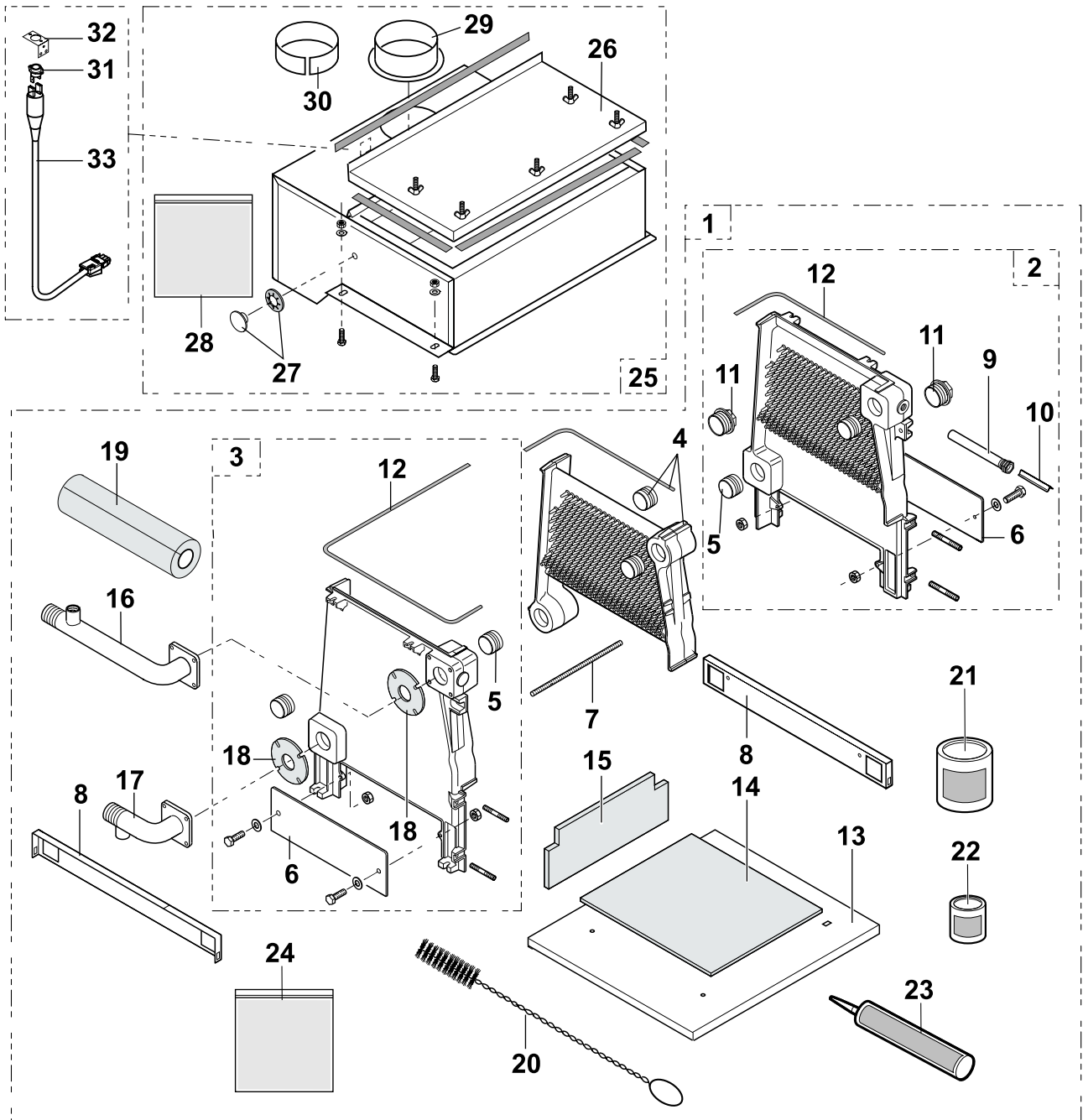
Symptoms	Probable causes	Solution
Noisy heater	- Poor purge	- Purge correctly
	- Body has scale	- Descale the heating circuit
	- Unsuitable injectors (Whistling)	- Check injectors
Heater too hot or too cold for requirements	- 3 position switch on position 	- Check the position of the 3 position switch
	- Wrong setting for the heater thermostat	- Set the heater thermostat if the heater has SV-matic setting or an ambient thermostat
Flame returns	- Injectors too large - Pressure too weak	- Check pressure injectors
Whistling	- Injectors too small - Pressure too high	- Check pressure injectors

# Spare parts Gas 360 S

**i** The code number on the list next to the required piece must be stated when ordering replacement parts.

20/07/05 - 300005180-002-A

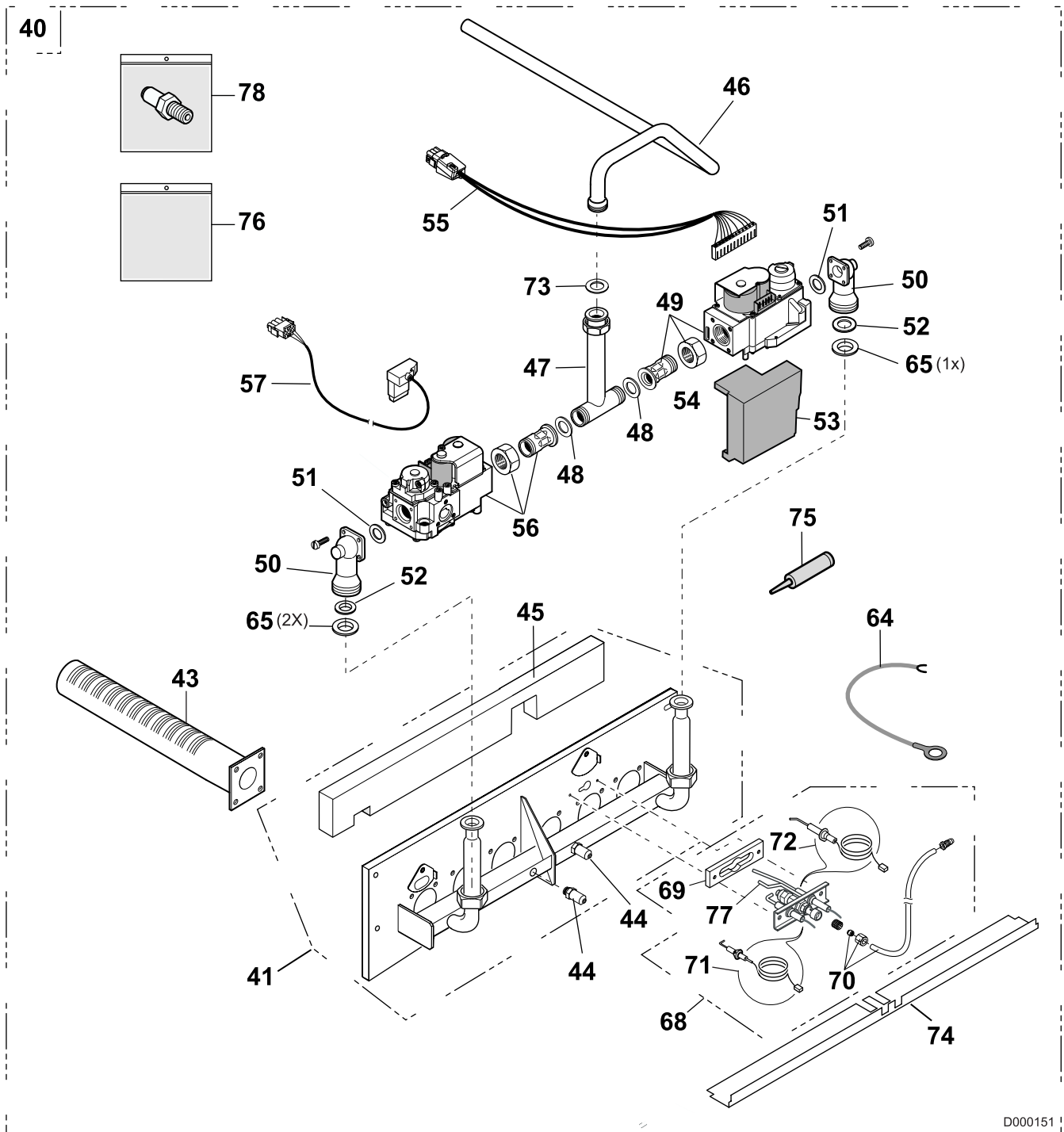
## Boiler body + Draught diverter



8502N013B

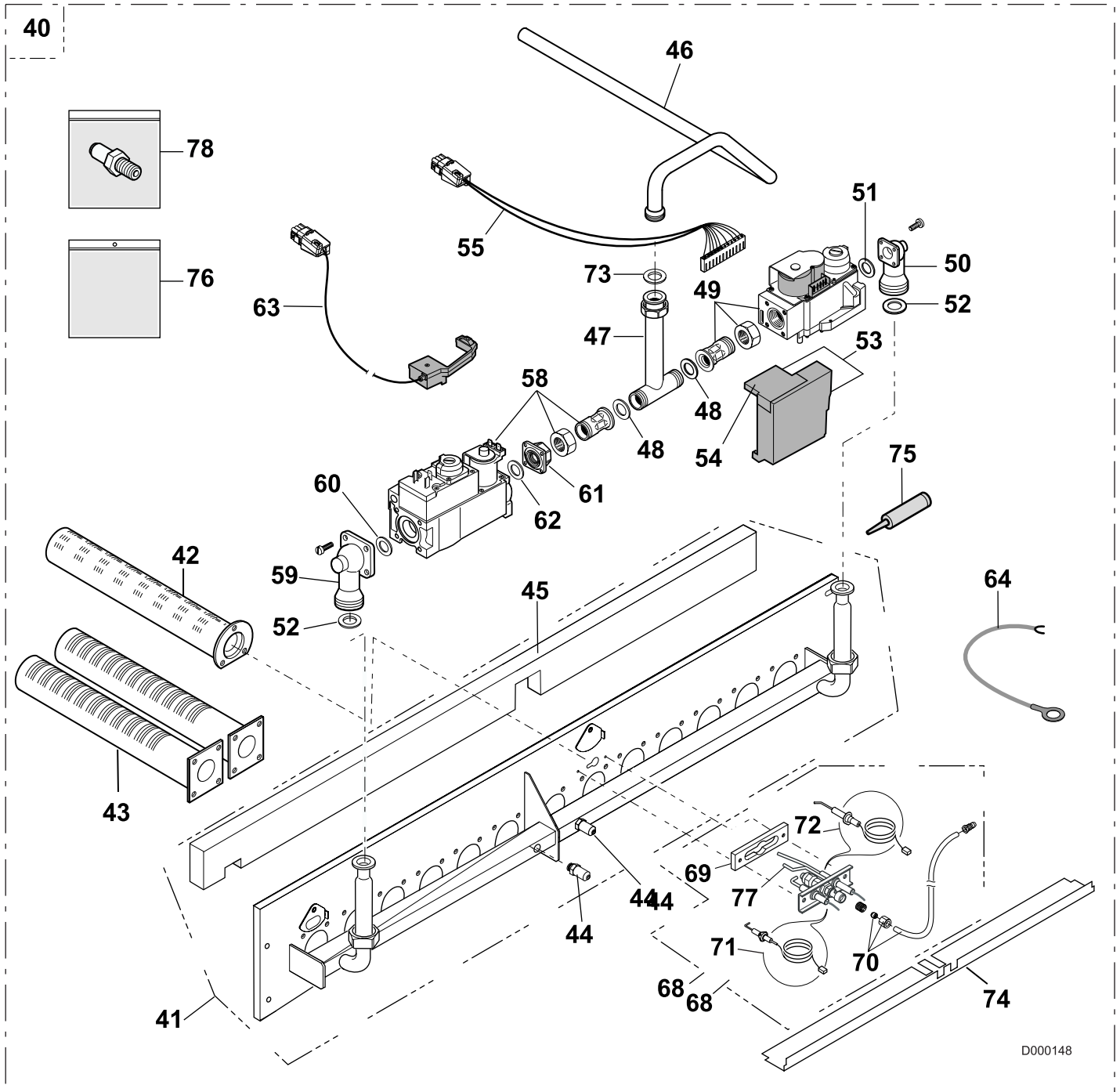


# Gas line 8-10-12 sections



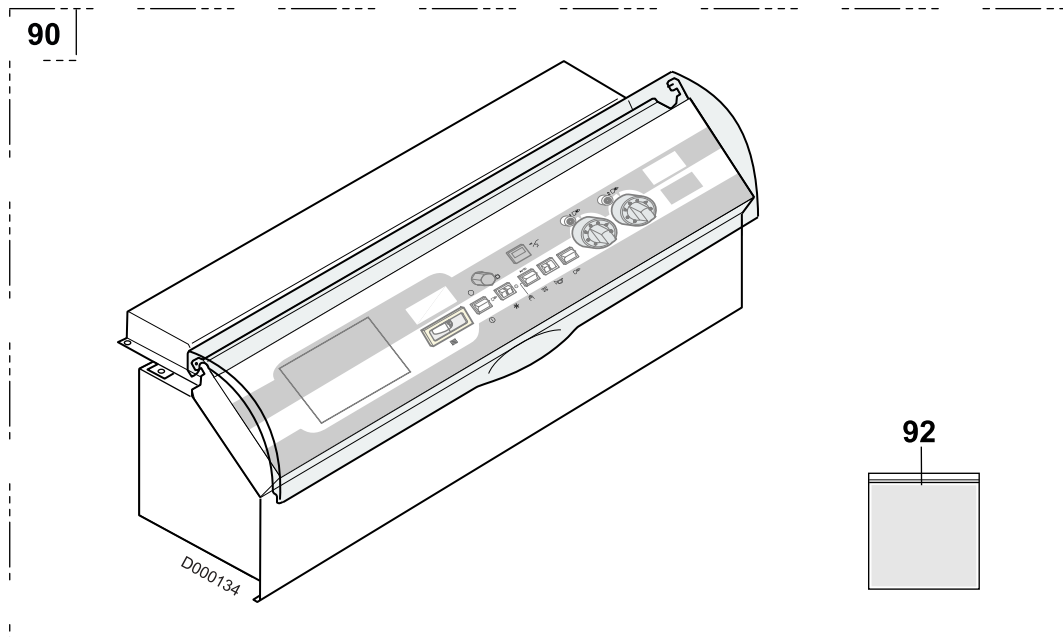
D000151

# Gas line 14 sections

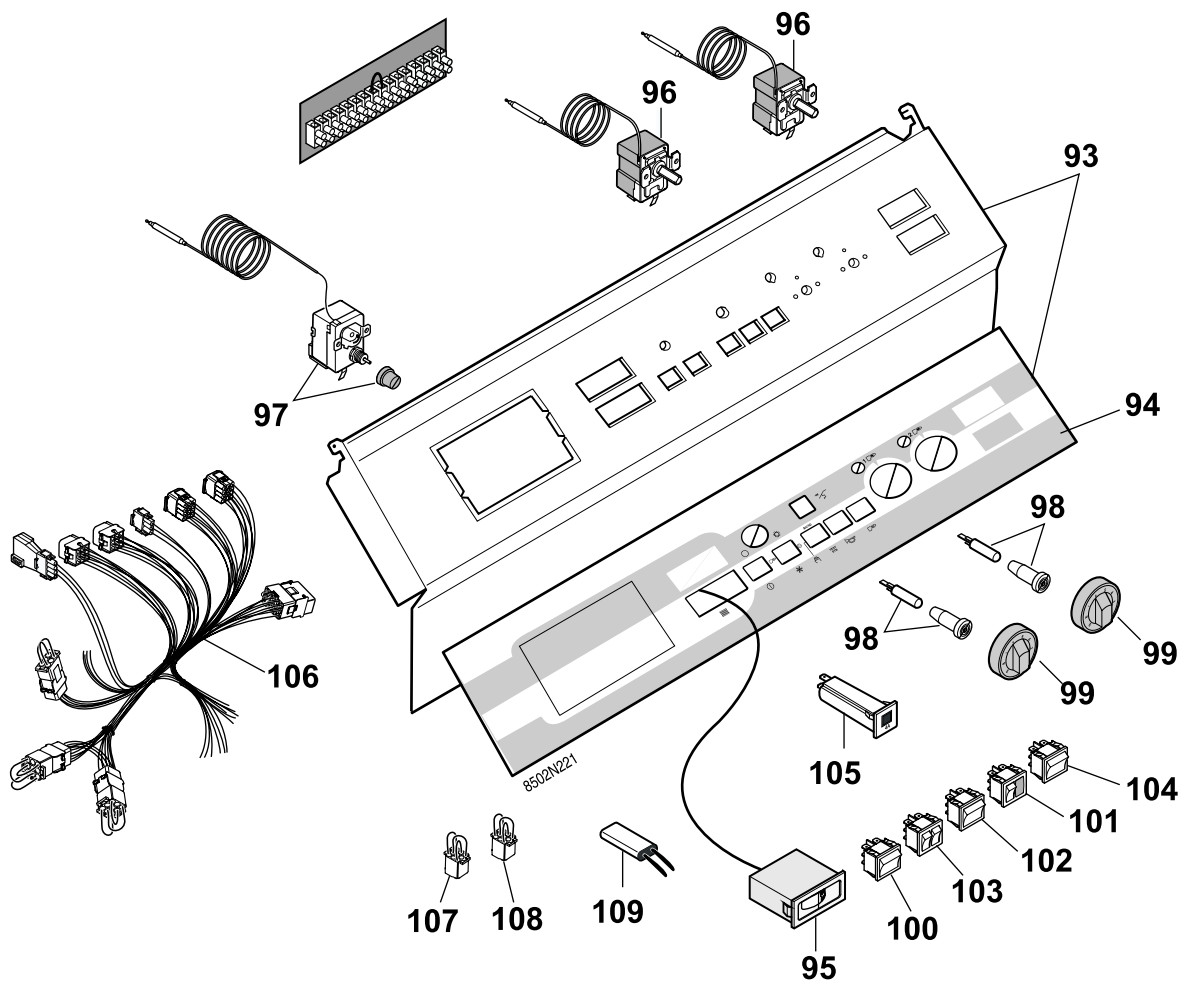


D000148

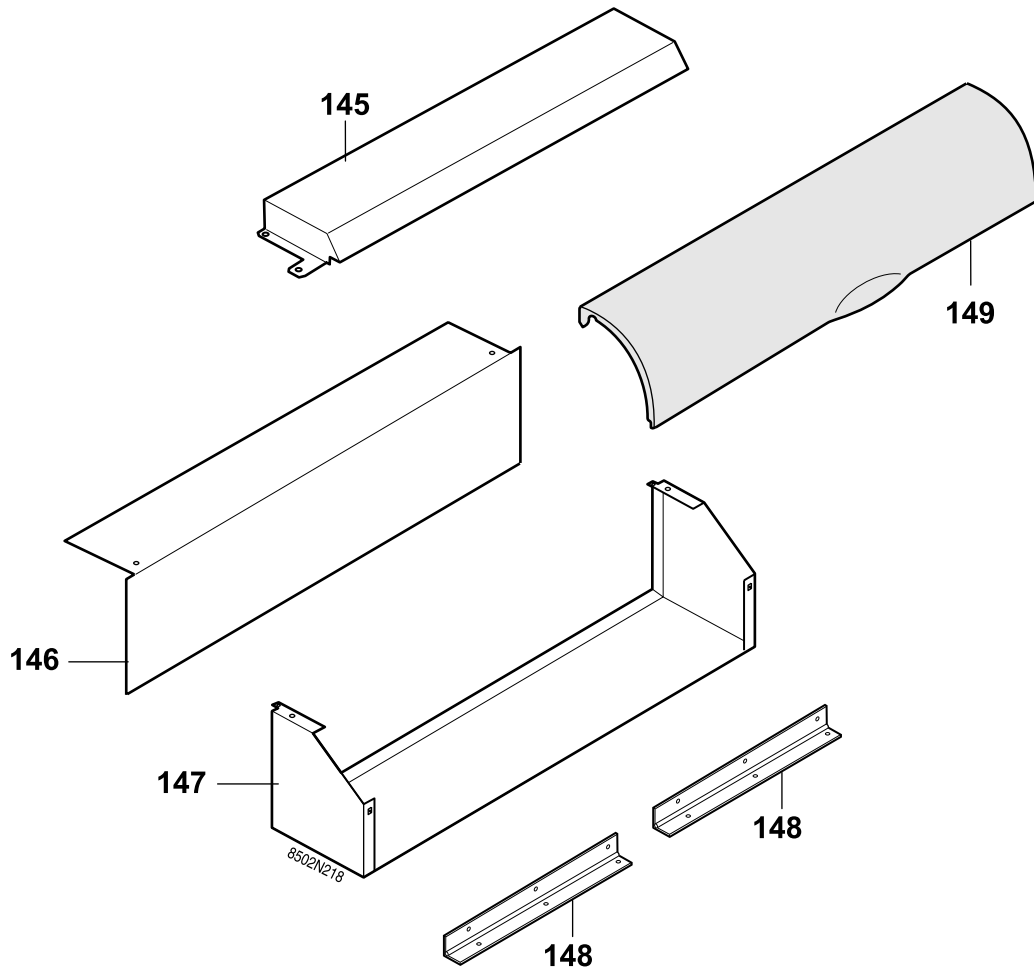
## Control panel K



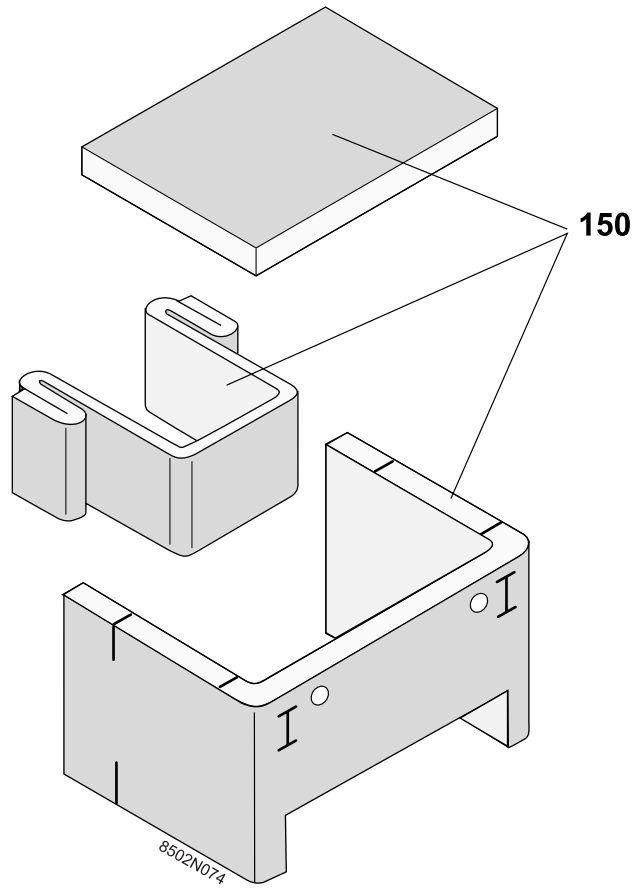
## Control panel K + Components



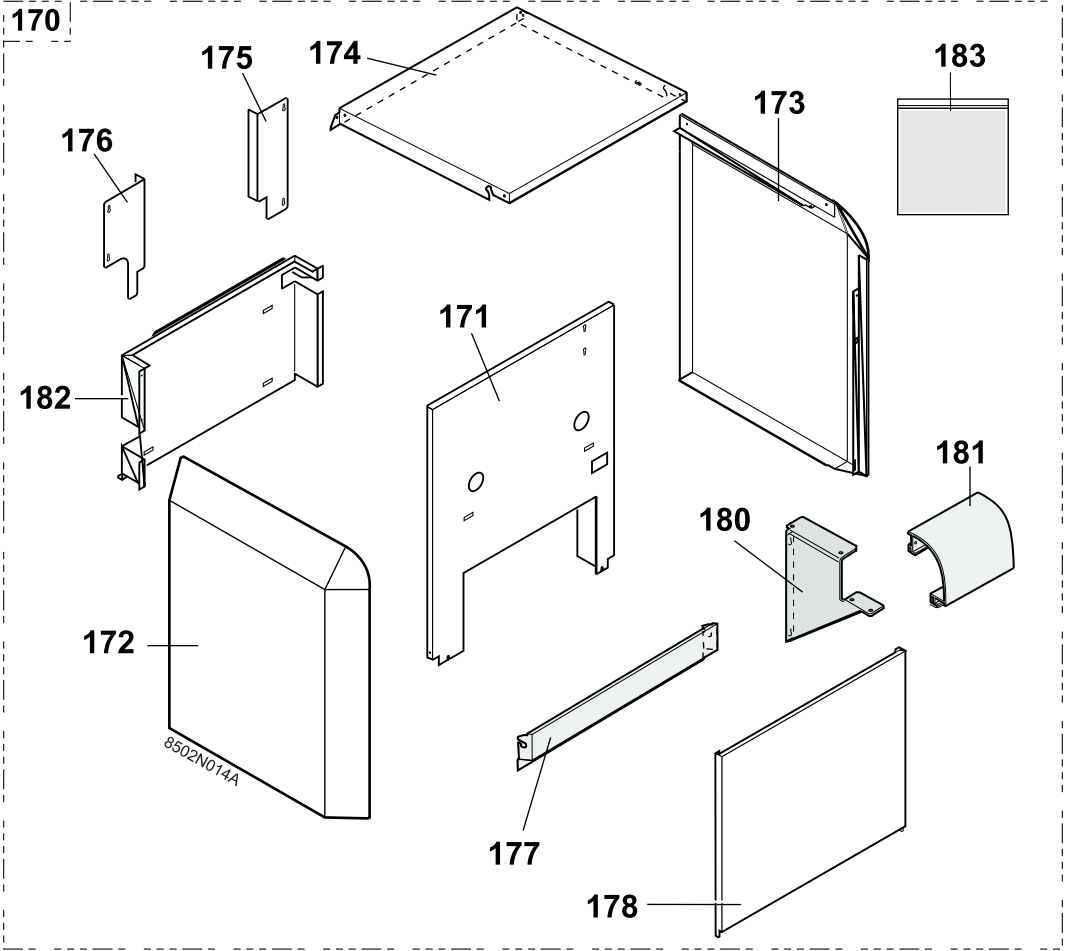
## Metal casing for control panel K



## Boiler body insulation



Cladding



Markers	Code no.	Description
		<b>BOILER BODY</b>
1	8377-8911	Boiler body - 8 sections
1	8377-8913	Boiler body - 10 sections
1	8377-8915	Boiler body - 12 sections
1	8377-8917	Boiler body - 14 sections
2	8377-5500	Lateral section right
3	8377-5501	Lateral section left
4	8377-5502	Intermediate section
5	8377-0547	Painted nipple
6	8377-8920	Complete closing plate
7	8377-5503	Assembly rod M8 - LG580
7	8377-5504	Assembly rod M8 - LG660
7	8377-5505	Assembly rod M8 - LG750
7	8377-5506	Assembly rod M8 - LG830
7	8377-5507	Assembly rod M8 - LG910
7	8377-5508	Assembly rod M8 - LG1000
7	8377-5509	Assembly rod M8 - LG1080
7	8377-5510	Assembly rod M8 - LG1170
8	8377-8726	Complete assembly cross-bar
9	9536-5611	Sensor tube 1/2"
10	9536-5613	Contact spring for thimble tube
11	9495-0249	Plug nr.290 1" 1/2
12	9504-6127	Adhesive thermocord Ø10
13	8377-8905	Complete base - 8 sections
13	8377-8906	Complete base - 10 sections
13	8377-8907	Complete base - 12 sections
13	8377-8908	Complete base - 14 sections
14	9755-0728	Insulation under burner - 8 sections
14	9755-0730	Insulation under burner - 10 sections
14	9755-0732	Insulation under burner - 12 sections
14	9755-0734	Insulation under burner - 14 sections
15	9755-0718	Rear insulation - 8 sections
15	9755-0720	Rear insulation - 10 sections
15	9755-0722	Rear insulation - 12 sections
15	9755-0724	Rear insulation - 14 sections
16	9754-9668	Outlet pipe
17	9754-9660	Return pipe - 8 sections
17	9754-9670	Return pipe - 10 sections
17	9754-9671	Return pipe - 12 sections
17	9754-9672	Return pipe - 14 sections
18	9755-0189	Flange gasket
19	8377-4091	Insulation, outlet pipe
20	9696-0228	Brush 22 x 11 L500

Markers	Code no.	Description
21	8800-8966	Box of mastic (1 kg)
22	9430-5027	Putty for nipple (300g)
23	9428-5066	Paste PERMABOND A1044
24	8377-5534	Accessories bag
		<b>DRAUGHT DIVERTER</b>
25	8502-8640	Draught diverter complete - 8 sections
25	8502-8642	Draught diverter complete - 10 sections
25	8502-8644	Draught diverter complete - 12 sections
25	8502-8646	Draught diverter complete - 14 sections
	8502-1558	Painted draught diverter - 8 sections
	8502-1560	Painted draught diverter - 10 sections
	8502-1562	Painted draught diverter - 12 sections
	8502-1564	Painted draught diverter - 14 sections
26	8502-5501	Inspection hatch - 8 sections
26	8502-5503	Inspection hatch - 10 sections
26	8502-5505	Inspection hatch - 12 sections
26	8502-5507	Inspection hatch - 14 sections
27	8377-5533	Plug for draught diverter
28	8377-8708	Screw bag
29	9758-1497	Nozzle Ø 180
29	8116-8076	Nozzle Ø 200
29	8377-8146	Nozzle Ø 225
30	8377-8226	Adaptor ring Ø225 to 220
31	9536-3357	Limiting thermostat (fitted to 8 section boiler, option RD19 for 10 to 14 sections)
32	8375-8077	Mounting square
33	8502-4917	Electric circuit
		<b>GAS LINE</b>
40	200003830	Complete gas circuit - 8 sections
40	200003831	Complete gas circuit - 10 sections
40	300003832	Complete gas circuit - 12 sections
40	300003833	Complete gas circuit - 14 sections
41	8502-5571	Burner support - 8 sections
41	8502-5573	Burner support - 10 sections
41	8502-5575	Burner support - 12 sections
41	8502-5577	Burner support - 14 sections
42	8502-5557	FURIGAS interignition burner (under ignition burner)
43	8368-8595	FURIGAS burner
44	9536-0220	Pressure socket
45	8502-5600	Insulation, burner drawer - 8 sections

Markers	Code no.	Description
45	8502-5602	Insulation, burner drawer - 10 sections
45	8502-5604	Insulation, burner drawer - 12 sections
45	8502-5606	Insulation, burner drawer - 14 sections
46	9754-9041	Gas inlet pipe - 8 sections
46	9754-9042	Gas inlet pipe - 10-12 sections
46	9754-9043	Gas inlet pipe - 14 sections
47	9754-9353	Connecting pipe
48	9501-3062	Green joint Ø 30 x 21 x 2
49	8502-4704	Valve 1st stage HONEYWELL CVI
50	9754-9889	Elbow flange LOVATO
51	9502-3306	Toric gasket 27.7 x 22.5 x 2.5
52	9755-0196	Gasket 27.2 x 16 x 3
53	8502-5578	Safety box HONEYWELL
54	9536-5259	Cover, safety control box
55	8502-4922	Panel circuit - safety control box
56	8502-4705	Valve 2nd stage HONEYWELL CVI - 8-12 sections
57	8502-4923	Electric circuit Valve 2nd stage - 8-12 sections
58	8502-4706	Valve 2nd stage HONEYWELL CVI - 14 sections
59	9754-9839	Elbow flange LOVATO
60	9755-0178	Green joint Ø 30 x 21 x 2
61	9754-9231	Right flange 1/2"
62	9758-0632	Toric gasket
63	8502-4901	Electric circuit Valve 2nd stage - 14 sections
64	8368-4907	Earth wire
65	9536-9107	Diaphragm Ø6.5 24.3 x 1 - 8 sections
67	9501-3068	Green joint Ø 24 x 30 x 1.5
68	8502-8719	Complete ignition burner
69	8406-8092	Spacer
70	8502-5579	Ignition burner gas supply pipe
71	9758-0451	Wired ionisation sensor with elbow
72	9533-2802	Wired ignition plug
73	9501-3064	Green joint Ø 32 x 44 x 2
74	8502-8108	Flame non-return plate - 8 sections
74	8377-8188	Flame non-return plate - 10 sections
74	8377-8190	Flame non-return plate - 12 sections
74	8377-8192	Flame non-return plate - 14 sections
75	8800-8961	Glue 1000 (100 ml can)
76	8502-5516	Screw bag
77	8502-4925	Earth liaison wire

Markers	Code no.	Description
		<b>CONVERSION KITS</b>
78	100003809	Propane conversion kit
78	100003840	Natural gas conversion kit H
		<b>CONTROL PANEL K</b>
90	8502-8751	Control system
92	8502-5519	Fasteners
93	200003824	Front panel support + Control panel front cover
94	9421-0705	Control panel front cover K
95	9536-5157	Flat thermometer
96	8500-0002	Thermostat adjustable from 30 to 90°C
97	8500-0032	Safety thermostat 110°C
98	9521-6281	Round green indicator
99	8555-5501	Setting button + Pin
100	9532-5027	Green S/S bipolar switch
101	9532-5102	Reset switch
102	9532-5103	Test Switch STB
103	8500-0034	Bipolar switch
104	8500-0035	Bipolar switch
105	9534-0288	4A TS710/4A Circuit-breaker
106	8502-4921	Control panel harness K
107	8502-4913	Flue damper connector bridge
108	8377-4917	TAF connector bridge
109	8350-4805	Anti-parasite filter
110	8502-4925	Earth liaison wire
		<b>METAL CASING FOR CONTROL PANEL K</b>
145	8502-5558	Protection cap
146	8502-8625	Card supports
147	8502-8778	Control panel bracket
148	8502-5560	Piano hinges (2 items)
149	8387-5556	Flap
		<b>BOILER BODY INSULATION</b>
150	8377-8932	Complete insulation - 8 sections
150	8377-8934	Complete insulation - 10 sections
150	8377-8936	Complete insulation - 12 sections
150	8377-8938	Complete insulation - 14 sections
		<b>CLADDING</b>
170	200003820	Cladding complete - 8 sections



Markers	Code no.	Description
170	200003821	Cladding complete - 10 sections
170	200003822	Cladding complete - 12 sections
170	200003823	Cladding complete - 14 sections
171	8502-8839	Front plate - 8 sections
171	8502-8841	Front plate - 10 sections
171	8502-8843	Front plate - 12 sections
171	8502-8845	Front plate - 14 sections
172	8502-8836	Lateral panel complete left
173	8502-8837	Lateral panel complete right
174	8502-0585	8 section cover
174	8502-0586	10 section cover
174	8502-0587	12 section cover
174	8502-0588	14 section cover
175	8502-8029	Upper rear panel, right
176	8502-8031	Upper rear panel, left
177	200003526	Complete upper front panel - 8 sections
177	200003527	Complete upper front panel - 10 sections
177	200003528	Complete upper front panel - 12 sections
177	200003529	Complete upper front panel - 14 sections
178	200003534	Complete lower front panel - 8 sections
178	200003535	Complete lower front panel - 10 sections
178	200003536	Complete lower front panel - 12 sections
178	200003537	Complete lower front panel - 14 sections
180	8502-8014	Support, additional part
181	8502-0600	Additional part - 8 sections
181	8502-0601	Additional part - 10 sections
181	8502-0602	Additional part - 12 sections
181	8502-0603	Additional part - 14 sections
182	8377-8173	Lower back panel - 8 sections
182	8377-8175	Lower back panel - 10 sections
182	8377-8177	Lower back panel - 12 sections
182	8377-8179	Lower back panel - 14 sections
183	8377-8702	Housing screws packet





**NL Remeha B.V.**  
Postbus 32  
7300 AA APELDOORN  
Tel: +31 55 5496969  
**Fax:** +31 55 5496496  
Internet: nl.remeha.com  
E-mail: remeha@remeha.com

**E D.A.C. S.A.**  
Tomás A. Edison 29  
Poligono Cogullada  
50014 ZARAGOZA  
Tel: +34 76 464076  
**Fax:** +34 76 471311  
Internet: www.dac.es  
E-mail: dac@dac.es

**GB Broag Ltd.**  
Remeha House  
Molly Millars Lane  
RG41 2QP WOKINGHAM, Berks.  
Tel: +44 118 9783434  
**Fax:** +44 118 9786977  
Internet: uk.remeha.com  
E-mail: boilers@broag-remeha.com

**E Norte Comercial Organización S.A.**  
Bereteage Bidea, 19  
48180 LOIU (Vizcaya)  
Tel: +34 94 471 03 33  
**Fax:** +34 94 471 11 52  
E-mail: nco@nco.es

**B J.L. Mampaey BVBA**  
Uitbreidingstraat 54  
2600 ANTWERPEN  
Tel: +32 3 2307106  
**Fax:** +32 3 2301153  
Internet: www.mampaey.be  
E-mail: info@mampaey.be

**IRL Euro Gas Ltd.**  
Unit 38, Southern Cross Business Park  
Boghall Road, Bray, Co  
WICKLOW  
Tel: +353 12868244  
**Fax:** +353 12861729  
Internet: www.eurogas.ie  
E-mail: sales@eurogas.ie

**B Thema S.A.**  
6, Avenue de l'expansion  
4460 GRACE-HOLLOGNE  
Tel: +32 4 2469575  
**Fax:** +32 4 2469576  
Internet: www.thema-sa.be  
E-mail: info@thema-sa.be

**H Marketbau - Remeha Kft.**  
Gyár u. 2.  
Ipari Park  
2040 BUDAÖRS  
Tel: +36 23 503 980  
**Fax:** +36 23 503 981  
Internet: www.remeha.hu  
E-mail: remeha@remeha.hu

**E Termibarna S.A.**  
C. Zamora 55-59  
08005 BARCELONA  
Tel: +34 3 3000204  
**Fax:** +34 3 3009558

**E Cuatrocesa S.A.**  
c) Sor Angela de La Cruz, 10  
- 1º Oficina C  
28020 MADRID  
Tel: +34 91 658 18 88  
**Fax:** +34 91 658 30 77

© Copyright

All technical and technological information contained in these technical instructions, as well as any drawings and technical descriptions supplied, remain our property and shall not be multiplied without our prior consent in writing..

Ours is a policy of continuous development. We reserve the right to alter specifications without prior notification

.

Subject to alterations