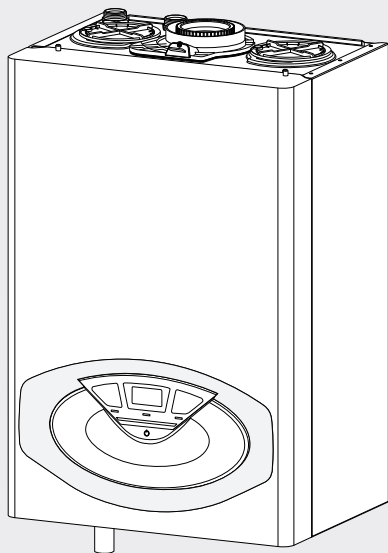


Installation and Servicing Instructions

# CLAS HE R



**Gas fired condensing wall hung boiler**

**G.C.N : 41-116 - 30 (12 kW)**

**G.C.N : 41-116 - 31 (18 kW)**

**G.C.N : 41-116 - 32 (24 kW)**

**CLAS HE R 12**

**CLAS HE R 18**

**CLAS HE R 24**

# overview

---

## INDEX

### Overview

General Information .....	3
Advice for the Installer .....	4
CE Labelling .....	4
Data Plate Symbols .....	4
Safety Regulations .....	5

### Product description

Control Panel .....	6
Overall View .....	7
Overall Dimension .....	8
Minimum Clearances .....	8
Technical Information .....	9

### Installation

Reference Standards .....	11
Installing the Boiler .....	17
Gas Connection .....	18
Central heating Connection .....	18
Instructions for Opening the Casing and Performing an Internal Inspection .....	19
Connecting the Flue .....	21
Fitting the Coaxial Flue (Ø 60/100 Horizontal) .....	22
Fitting the 5" Flue (Ø 80/125 Horizontal / Vertical) .....	23
Fitting the Coaxial Flue (Ø 60/100 Vertical) .....	24
Fitting the Twin Pipe (Ø 80/80) .....	25
Table of Flue Gas Exhaust Duct Lengths .....	27
Electrical Connections .....	29
Peripheral Unit Connection .....	29
Electrical Diagram .....	30
Wiring diagrams .....	31

### Commissioning

Initial Preparation .....	35
Electricity Supply .....	35
Filling the Heating System .....	35
Gas Supply .....	35
Water Treatment .....	35
First Igniton Operation .....	36
Ignition procedure .....	37
Test Function and Combustion Analysis .....	39
AUTO Function .....	40

### Boiler Protection Devices

Boiler Protection Devices .....	41
Anti-Frost Device .....	41
Table Summarising Error Codes .....	41

### Settings - Adjustment - Problem Identification Menus

Accessing the Menus .....	42
---------------------------	----

### Maintenance

General Comments .....	49
General Access .....	50
Electrical Unit .....	51
Hydraulic Unit .....	53
Burner Unit .....	55
Annual Maintenance .....	60
Benchmark Commissioning Checklist .....	61
Benchmark Service Interval Record .....	62
Spare Parts Short List .....	61

**These instructions are suitable for CLAS HE R boilers :**

**Do not forget the Log Book!**

#### **The Benchmark Scheme**

**Benchmark places responsibilities on both manufacturers and installers. The purpose is to ensure that customers are provided with the correct equipment for their needs, that it is installed, commissioned and serviced in accordance with the manufacturer's instructions by competent persons and that it meets the requirements of the appropriate Building Regulations England & Wales. The Benchmark Checklist can be used to demonstrate compliance with Building Regulations England & Wales and should be provided to the customer for future reference.**

**Installers are required to carry out installation, commissioning and servicing work in accordance with the Benchmark Code of Practice which is available from the Heating and Hotwater Industry Council who manage and promote the Scheme. Visit [www.centralheating.co.uk](http://www.centralheating.co.uk) for more information.**

#### **To The Installer**

As part of the commissioning of this appliance it is vital that the Log Book is completed and given to the Householder. Please ensure that your customer is aware of the importance of keeping the Log Book safe as a record of the installation and the appliance service history.

Please ensure that your customer is aware of the correct operation of the system, boiler and controls.

MTS recommend the use of protective clothing, when installing and working on the appliance i.e. gloves.

#### **CUSTOMER CARE**

MTS, as a leading manufacturer of domestic and commercial water heating appliances is committed to providing high quality products and a high quality after sales service.

Advice on installation or servicing can also be obtained by contacting the MTS Technical and Customer Service Departments at High Wycombe.

##### **TECHNICAL DEPARTMENT**

Tel: 0870 241 8180

Fax: 01494 459775

##### **CUSTOMER SERVICE DEPARTMENT**

Tel: 0870 600 9888

Fax: 01494 459775

#### **GUARANTEE**

The manufacturer's guarantee is for 2 years from the date of purchase. The guarantee is invalidated if the appliance is not installed in accordance with the recommendations made herein or in a manner not approved by the manufacturer. To assist us in providing you with an efficient after sales service, please return the guarantee registration card enclosed with the boiler without delay.

#### **CAUTION**

In the United Kingdom, installation, start-up, adjustments and maintenance, must be performed by a competent person only, in accordance with the current Gas Safety (Installation & Use) Regulations and the instructions provided.

In the Republic of Ireland, the installation and initial start up of the appliance must be carried out by a Competent Person in accordance with the current edition of I.S.813 "Domestic Gas Installations"; the current Building Regulations, reference should also be made to the current ETCI rules for electrical installation.

**All CORGI registered installers carry a CORGI ID card, and have a registration number. Both should be recorded in your boiler Log Book. You can check your installer is CORGI registered by calling CORGI directly on:- 0800 915 0485.**

Improper installation may cause damage or injury to individuals, animals and personal property for which the manufacturer will not be held liable. To ensure efficient and safe operation it is recommended that the boiler is serviced annually by a competent person.

If it is known that a fault exists on the appliance, it must not be used until the fault has been corrected by a competent person.

**This instruction booklet is especially designed for appliances installed in the UK and the Republic of Ireland**

## overview

**⚠ Advice for the installer**  
**The installation and first ignition of the boiler must be performed by qualified personnel in compliance with current national regulations regarding installation, and in conformity with any requirements established by local authorities and public health organisations.**  
**After the boiler has been installed, the installer must ensure that the end user receives the declaration of conformity and the operating manual, and should provide all necessary information as to how the boiler and the safety devices should be handled.**

These appliance are designed for use on open vented central heating systems. A kit is available to allow the boiler to be used on a sealed system. These appliances are designed for domestic use only.

It should be connected to a heating system and a distribution network for domestic hot water, both of which must be compatible with its performance and power levels.

The use of the appliance for purposes other than those specified is strictly forbidden. The manufacturer cannot be held responsible for any damage caused by improper, incorrect and unreasonable use of the appliance or by the failure to comply with the instructions given in this manual.

Installation, maintenance and all other interventions must be carried out in full conformity with the governing legal regulations and the instructions provided by the manufacturer. Incorrect installation can harm persons, animals and possessions; the manufacturing company shall not be held responsible for any damage caused as a result. The boiler is delivered in a carton. Once you have removed all the packaging, make sure the appliance is intact and that no parts are missing. If this is not the case, please contact your supplier.

Keep all packaging material (clips, plastic bags, polystyrene foam, etc.) out of reach of children as it may present a potential hazard.

In the event of a fault and/or malfunction, turn the appliance off, turn off the gas cock and do not attempt to repair it yourself. Contact a qualified professional instead.

Before any maintenance or repair work is performed on the boiler, make sure you have disconnected it from the electricity supply by switching the external bipolar switch to the "OFF" position and removing the fuse.

All repairs, which should only be performed using original spare parts, should be carried out by a qualified professional. Failure to comply with the above instructions could compromise the safety of the appliance and invalidate all liability on the part of the manufacturer.

In the event of any maintenance or other structural work in the immediate vicinity of the flue or flue gas exhaust devices and their accessories, switch the appliance off by switching the external bipolar switch to the "OFF" position and shutting off the gas control valve. When the work has been completed, a

qualified technician must check the efficiency of the flue and the devices.

Turn the boiler off and turn the external switch "OFF" to clean the exterior parts of the appliance.

Clean using a cloth dampened with soapy water. Do not use aggressive detergents, insecticides or toxic products. If the appliance is used in full compliance with current legislation, it will operate in a safe, environmentally-friendly and cost-efficient manner.

If using kits or optional extras, make sure they are authentic.

### CE labelling

The CE mark guarantees that the appliance conforms to the following directives:

- **90/396/CEE**  
relating to gas appliances
- **2004/108/CEE**  
relating to electromagnetic compatibility
- **92/42/CEE**  
relating to energy efficiency
- **2006/95/CEE**

1				2			
3		4		5			
6							
7							
8				MAX		MIN	
9		12		14		15	
10		11		13		16	
17		18		19			
Gas							20
mbar							21
Gas							22
mbar							

### Legend :

1. Brand
2. Manufacturer
3. Boiler model - Serial number
4. Commercial reference
5. Certification number
6. Destination country - gas category
7. Gas setting
8. Installation type
9. Electrical data
11. Maximum heating pressure
12. Boiler type
13. NOx class / Efficiency
14. Input rating nominal heating
15. Power output heating
17. Boiler output efficiency
18. Input rating nominal DHW
19. Gases which may be used
20. Minimum ambient temperature for use
21. Max. central heating temperature



## Safety regulations

Key to symbols:

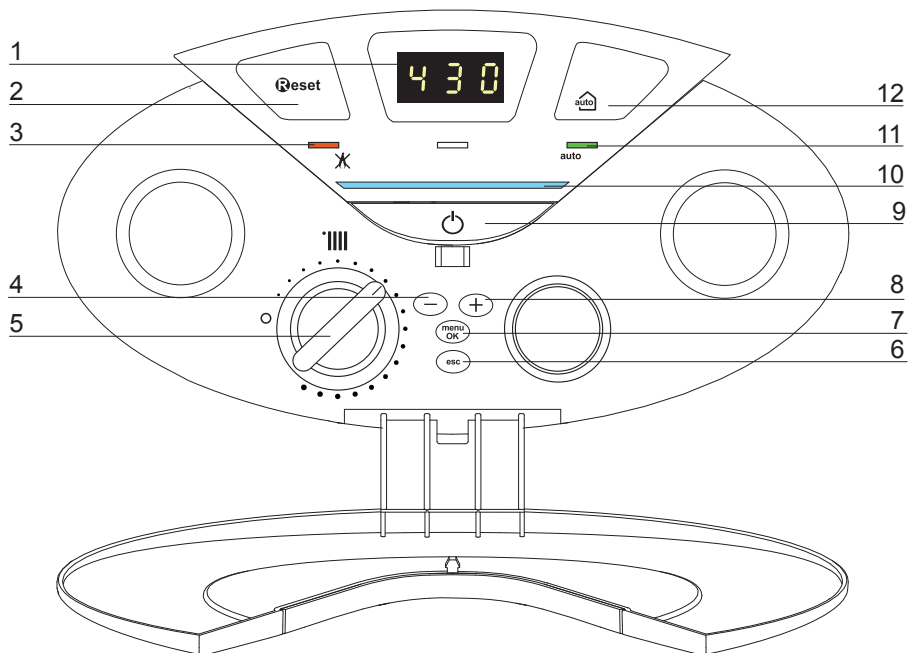
- ⚠ Failure to comply with this warning implies the risk of personal injury, in some circumstances even fatal.
- ⚠ Failure to comply with this warning implies the risk of damage, in some circumstances even serious, to property, plants or animals.
- Install the appliance on a solid wall which is not subject to vibration.**
- ⚠ Noisiness during operation.  
**When drilling holes in the wall for installation purposes, take care not to damage any electrical wiring or existing piping.**
- ⚠⚠ Electrocutation caused by contact with live wires. Explosions, fires or asphyxiation caused by gas leaking from damaged piping. Damage to existing installations. Flooding caused by water leaking from damaged piping.  
**Perform all electrical connections using wires which have a suitable section.**
- ⚠ Fire caused by overheating due to electrical current passing through undersized cables.  
**Protect all connection pipes and wires in order to prevent them from being damaged.**
- ⚠⚠ Electrocutation caused by contact with live wires. Explosions, fires or asphyxiation caused by gas leaking from damaged piping. Flooding caused by water leaking from damaged piping.  
**Make sure the installation site and any systems to which the appliance must be connected comply with the applicable norms in force.**
- ⚠⚠ Electrocutation caused by contact with live wires which have been installed incorrectly. Damage to the appliance caused by improper operating conditions.  
**Use suitable manual tools and equipment (make sure in particular that the tool is not worn out and that its handle is fixed properly); use them correctly and make sure they do not fall from a height. Replace them once you have finished using them.**
- ⚠⚠ Personal injury from falling splinters or fragments, inhalation of dust, shocks, cuts, pricks and abrasions. Damage to the appliance or surrounding objects caused by falling splinters, knocks and incisions.  
**Use electrical equipment suitable for its intended use (in particular, make sure that the power supply cable and plug are intact and that the parts featuring rotary or reciprocating motions are fastened correctly); use this equipment correctly; do not obstruct passageways with the power supply cable, make sure no equipment could fall from a height. Disconnect it and replace it safely after use.**
- ⚠⚠ Personal injury caused by falling splinters or fragments, inhalation of dust, knocks, cuts, puncture wounds, abrasions, noise and vibration. Damage to the appliance or surrounding objects caused by falling splinters, knocks and incisions.  
**Make sure any portable ladders are positioned securely, that they are suitably strong and that the steps are intact and not slippery and do not wobble when someone climbs them. Ensure someone provides supervision at all times.**
- ⚠ Personal injury caused by falling from a height or cuts (stepladders shutting accidentally).  
**Make sure any rolling ladders are positioned securely, that they are suitably strong, that the steps are intact and not slippery and that the**

**ladders are fitted with handrails on either side of the ladder and parapets on the landing.**

- ⚠ Personal injury caused by falling from a height.  
**During all work carried out at a certain height (generally with a difference in height of more than two metres), make sure that parapets are used to surround the work area or that individual harnesses are used to prevent falls. The space where any accidental fall may occur should be free from dangerous obstacles, and any impact upon falling should be cushioned by semi-rigid or deformable surfaces.**
- ⚠ Personal injury caused by falling from a height.  
**Make sure the workplace has suitable hygiene and sanitary conditions in terms of lighting, ventilation and solidity of the structures.**
- ⚠ Personal injury caused by knocks, stumbling etc.  
**Protect the appliance and all areas in the vicinity of the work place using suitable material.**
- ⚠ Damage to the appliance or surrounding objects caused by falling splinters, knocks and incisions.  
**Handle the appliance with suitable protection and with care.**
- ⚠ Damage to the appliance or surrounding objects from shocks, knocks, incisions and squashing.  
**During all work procedures, wear individual protective clothing and equipment.**
- ⚠ Personal injury caused by electrocutation, falling splinters or fragments, inhalation of dust, shocks, cuts, puncture wounds, abrasions, noise and vibration.  
**Place all debris and equipment in such a way as to make movement easy and safe, avoiding the formation of any piles which could yield or collapse.**
- ⚠ Damage to the appliance or surrounding objects from shocks, knocks, incisions and squashing.  
**All operations inside the appliance must be performed with the necessary caution in order to avoid abrupt contact with sharp parts.**
- ⚠ Personal injury caused by cuts, puncture wounds and abrasions.  
**Reset all the safety and control functions affected by any work performed on the appliance and make sure they operate correctly before restarting the appliance.**
- ⚠⚠ Explosions, fires or asphyxiation caused by gas leaks or an incorrect flue gas exhaust. Damage or shutdown of the appliance caused by out-of-control operation.  
**Before handling, empty all components that may contain hot water, carrying out any bleeding if necessary.**
- ⚠ Personal injury caused by burns.  
**Descalc the components, in accordance with the instructions provided on the safety data sheet of the product used, airing the room, wearing protective clothing, avoid mixing different products, and protect the appliance and surrounding objects.**
- ⚠⚠ Personal injury caused by acidic substances coming into contact with skin or eyes; inhaling or swallowing harmful chemical agents. Damage to the appliance or surrounding objects due to corrosion caused by acidic substances.  
**If you detect a smell of burning or smoke, keep clear of the appliance, disconnect it from the electricity supply, open all windows and contact the technician.**
- ⚠ Personal injury caused by burns, smoke inhalation, asphyxiation.

## product description

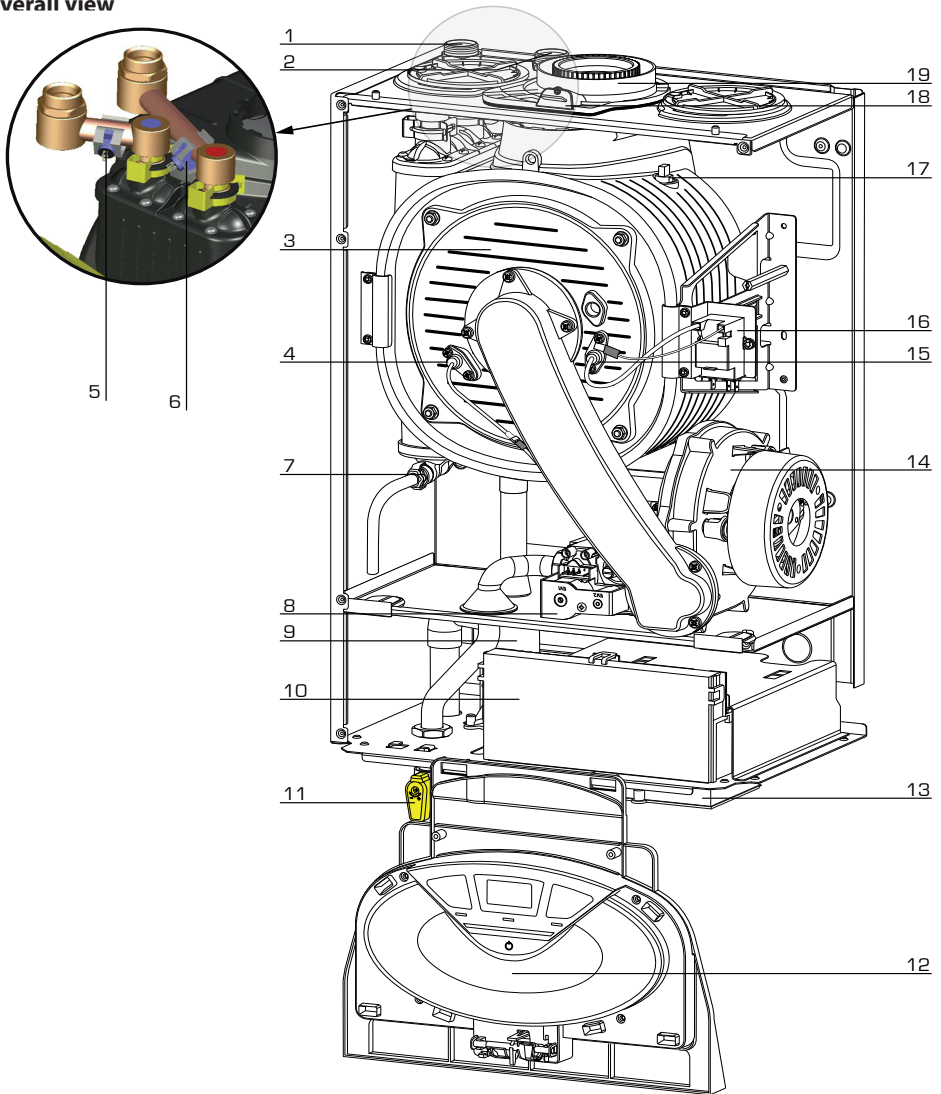
### Control panel



#### Legend :

- |                                |  |
|--------------------------------|--|
| 1. Display                     | 7. Menu / OK button (Programming key)          |
| 2. RESET button                | 8. Button +                                    |
| 3. Red indicator lockout light | 9. ON/OFF button / Green indicator ON/OFF      |
| 4. Button -                    | 10. Blue indicator burner ON                   |
| 5. Temperature regulation knob | 11. Green indicator AUTO function              |
| 6. Esc button                  | 12. AUTO button (To activate Thermoregulation) |

Overall view

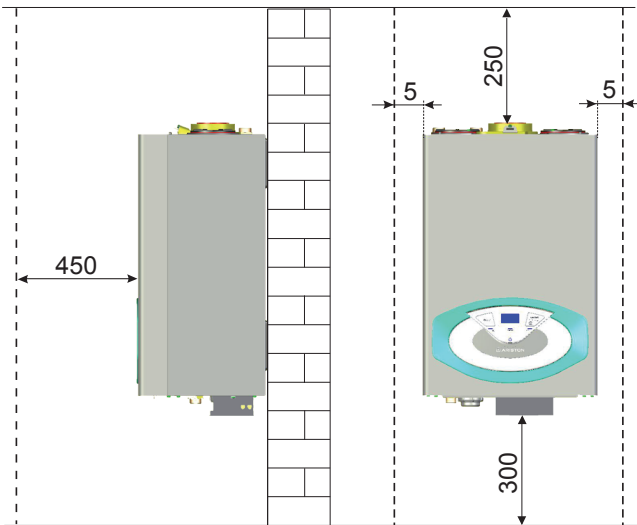
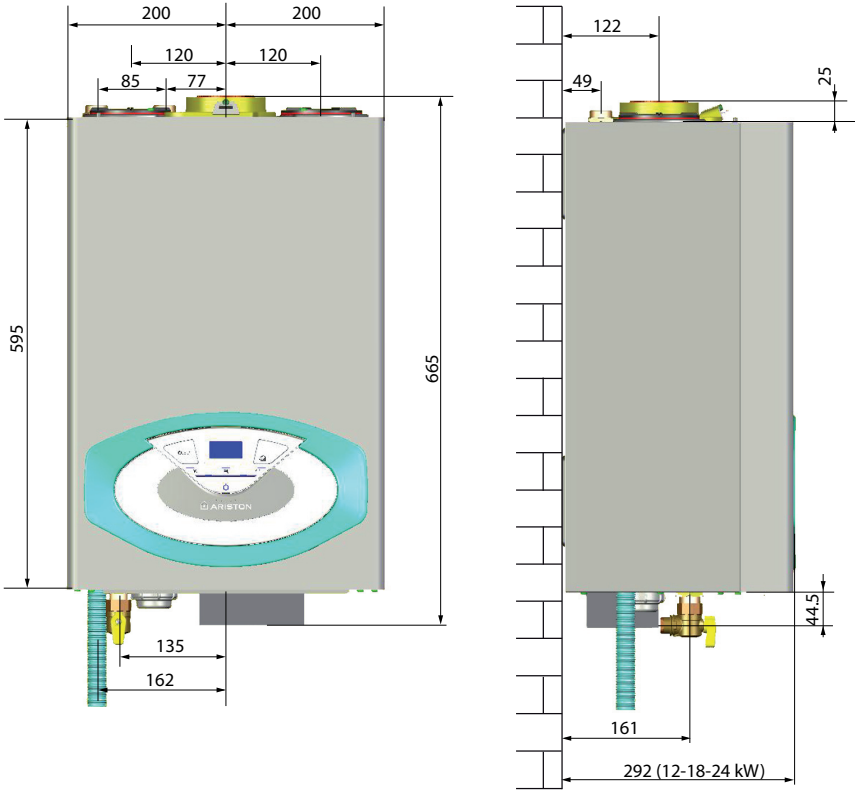


- 1. Central heating return
- 2. Central heating flow
- 3. Burner
- 4. Detection electrode
- 5. C.H. Return temperature probe
- 6. C.H. Flow temperature probe
- 7. Manual air vent
- 8. Gas valve
- 9. Trap
- 10. Electrical box

- 11. Gas tap
- 12. Display box
- 13. Electrical connection box
- 14. Modulating fan
- 15. Ignition electrodes
- 16. Ignitor
- 17. Thermal fuse
- 18. Combustion analysis test point
- 19. Flue connector

# product description

## Overall Dimensions



### Minimum clearances

In order to allow easy access to the boiler for maintenance operations, the boiler must be installed in accordance with the clearances stated.

Technical Data

		Model CLAS HER		12	18
GENERAL NOTE	CE Certification (pin)			0085BR0347	
	Boiler type			B23-C13-C33-C43-C53-C83	
POWER SPECIFICATIONS	Max/min nominal calorific flow rate (Pci)	Qn	kW	12.0/3.0	18.0/4.5
	Max/min nominal calorific flow rate (Pcs)	Qn	kW	13.3/3.3	20.0/5.0
	Max/min power output (80°C-60°C)	Pn	kW	11.7/2.8	17.6/4.3
	Max/min power output (50°C-30°C)	Pn	kW	12.9/3.2	19.1/4.7
	Combustion efficiency (of flue gas)		%	97.8	97.6
	Nominal calorific flow rate efficiency (60/80°C) Hi/Hs		%	97.6/87.9	97.7/88.0
	Nominal calorific flow rate efficiency (30/50°C) (condensation) Hi/Hs		%	107.1/96.4	106.2/95.6
	Efficiency at 30% at 30°C (condensation) Hi/Hs		%	108.7/97.9	107.8/97.1
	Efficiency at 30% at 47°C Hi/Hs		%	99.2/89.3	101.9/91.8
	Minimum calorific flow rate efficiency (60/80°C) Hi/Hs		%	94.3/84.9	94.7/85.3
	Efficiency rating (dir. 92/42/EEC)		stars	****	****
	Sedbuk Band Rating		band/%	A / 90.1	A / 90.1
	Loss when stopped ( $\Delta T = 50^\circ C$ )		%	0.3	0.2
	Loss of burner gas when operating		%	2.2	2.4
	EMISSIONS	Available air pressure		Pa	53
NoX class (less than 70mg/kWh)			class	5	5
Flue gas temperature (G20) (80°C-60°C)			°C	65	69
CO2 content (G20) (80°C-60°C)			%	9.0	9.2
CO content (0%O2) (80°C-60°C)			ppm	< 80	< 170
O2 content (G20) (80°C-60°C)			%	4.5	4.2
Maximum flue gas flow (G20) (80°C-60°C)			Kg/h	19.8	29.1
Excess air (80°C-60°C)			%	27	25
HEATING CIRCUIT	Minimum/Maximum heating pressure		bar	0,2/3	0,2/3
	Min/max heating temperature (high temperature range)		°C	35/82	35/82
	Min/max heating temperature (low temperature range)		°C	20/45	20/45
ELECTRICAL	Power supply frequency/voltage		V/Hz	230/50	230/50
	Total electrical power absorbed		W	135	142
	Minimum ambient temperature for use		°C	+5	+5
	Protection level for the electrical appliance		IP	X5D	X5D
	Weight		kg	23	23

# product description

## Technical Data

GENERAL NOTE	Model CLAS HER		24
	CE Certification (pin)		0085BR0347
	Boiler type		B23-C13-C33-C43-C53-C83
POWER SPECIFICATIONS	Max/min nominal calorific flow rate (Pci)	Qn	kW 24.6/5.3
	Max/min nominal calorific flow rate (Pcs)	Qn	kW 27.3/5.9
	Max/min power output (80°C-60°C)	Pn	kW 24.1/5.0
	Max/min power output (50°C-30°C)	Pn	kW 26.0/5.4
	Combustion efficiency (of flue gas)		% 97.5
	Nominal calorific flow rate efficiency (60/80°C) Hi/Hs		% 98.2/88.4
	Nominal calorific flow rate efficiency (30/50°C) (condensation) Hi/Hs		% 105.7/95.2
	Efficiency at 30% at 30°C (condensation) Hi/Hs		% 109.0/98.1
	Efficiency at 30% at 47°C Hi/Hs		% 103.7/93.4
	Minimum calorific flow rate efficiency (60/80°C) Hi/Hs		% 94.3/84.9
	Efficiency rating (dir. 92/42/EEC)		stars ****
	Sedbuk Band Rating		band/% A / 90.3
	Loss when stopped ( $\Delta T = 50^{\circ}\text{C}$ )		% 0.2
Loss of burner gas when operating		% 2.5	
EMISSIONS	Available air pressure	Pa	137
	NoX class (less than 70mg/kWh)	class	5
	Flue gas temperature (G20) (80°C-60°C)	°C	72
	CO2 content (G20) (80°C-60°C)	%	9.3
	CO content (0%O2) (80°C-60°C)	ppm	< 180
	O2 content (G20) (80°C-60°C)	%	4.0
	Maximum flue gas flow (G20) (80°C-60°C)	Kg/h	39.4
	Excess air (80°C-60°C)	%	23
HEATING CIRCUIT	Minimum/Maximum heating pressure	bar	0,2/3
	Min/max heating temperature (high temperature range)	°C	35/82
	Min/max heating temperature (low temperature range)	°C	20/45
ELECTRICAL	Power supply frequency/voltage	V/Hz	230/50
	Total electrical power absorbed	W	144
	Minimum ambient temperature for use	°C	+5
	Protection level for the electrical appliance	IP	X5D
	Weight	kg	23

**Reference Standards**

In the United Kingdom, the installation and initial start-up of the boiler must be by a CORGI registered installer in accordance with the installation standards currently in effect, as well as with any and all local health and safety standards i.e. CORGI.

In the Republic of Ireland the installation and initial start-up of the appliance must be carried out by a Competent Person in accordance with the current edition of I.S.813 "Domestic Gas Installations" and the current Building Regulations, reference should also be made to the current ETCL rules for electrical installation.

The installation of this appliance must be in accordance with the relevant requirements of the Local Building Regulations, the current I.E.E. Wiring Regulations, the by-laws of the local authority, in Scotland, in accordance with the Building Standards (Scotland) Regulation and Health and Safety document No. 635, "Electricity at Work Regulations 1989" and in the Republic of Ireland with the current edition of I.S. 813 and the Local Building Regulations (IE).

**C.O.S.H.H.**

Materials used in the manufacture of this appliance are non-hazardous and no special precautions are required when servicing.

**Codes of Practice**

Installation should also comply with the following British Standards Code of Practice:

- BS 7593:1992 Treatment of water in domestic hot water central heating systems**
- BS 5546:1990 Installation of hot water supplies for domestic purposes**
- BS 5440-1:2008 Flues**
- BS 5440-2:2008 Air supply**
- BS 5449:1990 Forced circulation hot water systems**
- BS 6798:2000 Installation of gas fired hot water boilers of rated input not exceeding 70kW**
- BS 6891:1989 Installation of low pressure gas pipes up to 28mm**
- BS 7671:2001 IEE Wiring Regulations**
- BS 4814:1990 Specification for expansion vessels**
- BS 5482:1994 Installation of L.P.G. Domestic heating compliance guide**

and in the Republic of Ireland in accordance with the following codes of practice:

- I.S. 813 Domestic Gas Installations**

Avoid installing the boiler where the air inlet can be polluted by chemical products such as chlorine (swimming pool area), or ammonia (hair dresser), or alkalin products (launderette).

**Flue**

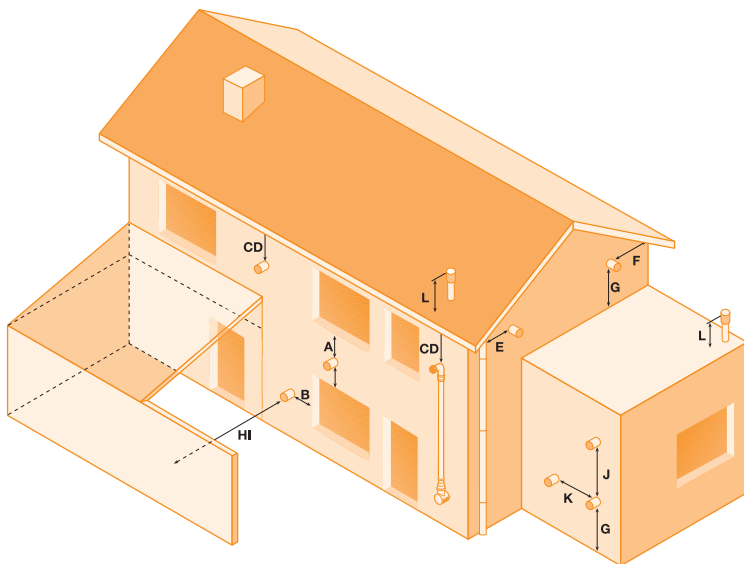
Detailed information on flue assembly can be found in the "Connecting the Flue" section.

The boiler must be installed so that the flue terminal is exposed to the free passage of external air at all times and must not be installed in a place likely to cause nuisance. It must not be allowed to discharge into another room or space such as an outhouse or closed lean-to.

Condensing boilers have a tendency to form a plume of water vapour from the flue terminal due to the low temperature of the flue gases. The terminal should therefore be located with due regard for the damage or discolouration that may occur to building within the vicinity and consideration must also be given to adjacent boundaries, openable windows etc. The minimum acceptable clearances are shown on page 12.

## installation

The minimum acceptable clearances are shown below:



- |   |         |
|---|---------|
| - A Directly above or below an opening, window, etc | 300 mm  |
| - B Horizontally to an opening, window, etc         | 300 mm  |
| - C Below gutters, soils pipes or drain pipes       | 75 mm   |
| - D Below eaves                                     | 200 mm  |
| - E From vertical drain pipe or soil pipe           | 75 mm   |
| - F From internal or external corner                | 300 mm  |
| - G Above ground, roof or balcony level             | 300 mm  |
| - H From a surface facing the terminal              | 2500 mm |
| - I From a terminal facing a terminal               | 2500 mm |
| - J Vertically from a terminal on the same wall     | 1500 mm |
| - K Horizontally from an terminal on the same wall  | 300 mm  |
| - L Fixed by vertical flue terminal                 |         |

**NOTE: THE FLUE MUST NOT BE INSTALLED IN A PLACE LIKELY TO CAUSE A NUISANCE AND POSITIONED TO ENSURE THAT PRODUCTS OF COMBUSTION DO NOT DISCHARGE ACROSS A BOUNDARY**

It may be necessary to protect the terminal with a guard, if this is the case it will be necessary to purchase a stainless steel terminal guard. Reference should be made to the Building Regulations for guidance.

### Ventilation

The room in which the boiler is installed does not require specific ventilation. If the boiler is installed in a cupboard or compartment, ventilation is not required for cooling purposes.

### Gas Supply

The gas installation and tightness testing must be in accordance with the requirements of BS6891. Ensure that the pipe size is adequate for demand including other gas appliances on the same supply.

### Electrical Supply

The appliance requires an earthed 230V - 50 Hz supply and must be in accordance with current I.E.E. regulations. It must also be possible to be able to completely isolate the appliance electrically. Connection should be via a 3 amp double pole fused isolating switch with contact separation of at least 3mm on both poles. Alternatively, a fused 3 amp, 3 pin plug and unswitched socket may be used, provided it is not used in a room containing a bath or shower, it should only supply the appliance.

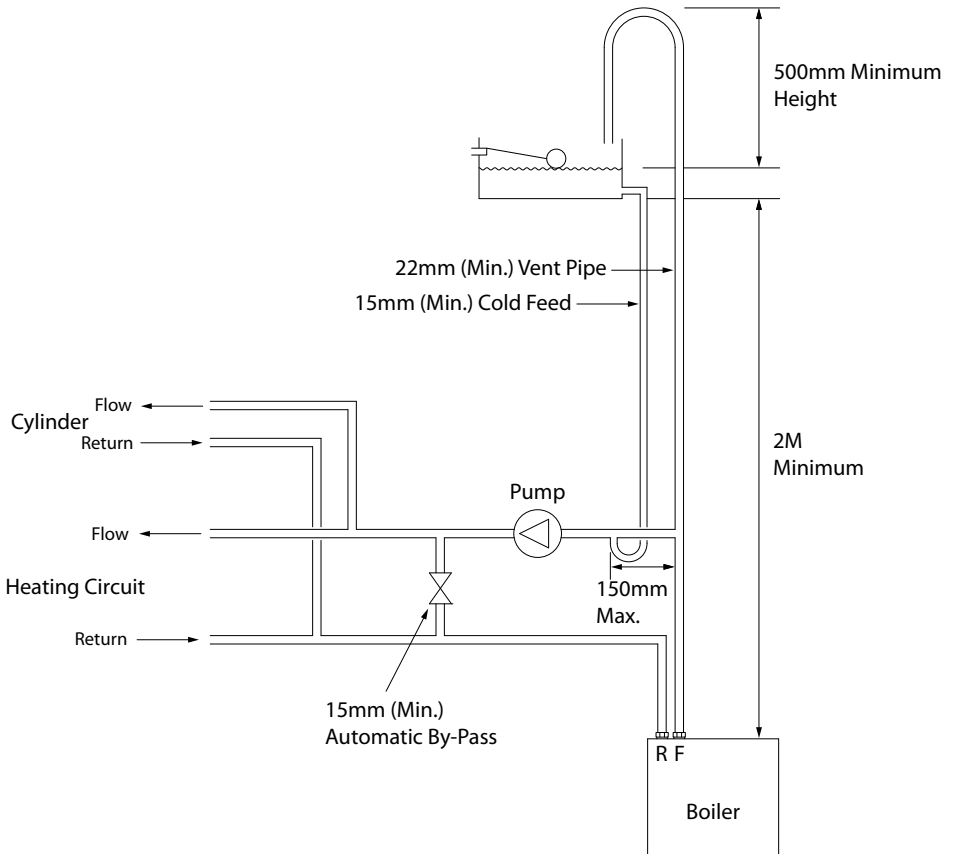
### Automatic by pass

Ariston recommend that an automatic by pass is installed a minimum of 1.5 metres away from the boiler to ensure the minimum required flow rate is achieved at all times. Additionally the design of the system and its controls must ensure that an adequate temperature differential is met, and should be such to prevent boiler cycling.



**Feed and vent pipework**

The feed and vent pipework from the boiler to the F & E (Feed & Expansion) tank should be configured as shown in the fig. below.



# installation

## Note:

- The distance between the cold feed and the open vent pipe shall be no more than 150mm.
- The cold feed must be inverted as shown.
- The open vent pipe must be a minimum of 22mm diameter.
- The cold feed pipe must be a minimum of 15mm diameter.
- The cold feed and open vent pipes must rise continuously and be unrestricted.
- The minimum distance from the top of the boiler to the bottom of the F & E tank shall be no less than 2m. Whilst the maximum distance shall be not more than 27m.
- The distance between the bottom of the F & E tank and the highest point of the open vent must be no less than 500mm.
- The flow and return pipes from the boiler must rise continuously and be unrestricted.
- The supply of water to the F & E tank should be taken from the mains water supply via a suitable float operated valve. While the supply from the F & E tank to the boiler/heating circuit (via the cold feed) shall be unrestricted.
- The F & E tank must be adequately supported and installed in accordance with relevant Building Regulations.

## Pump specification

The pump should be fitted on the flow pipe from the boiler and have isolating valves each side. A variable duty pump should be set to give a temperature differential of no greater than 20°C.

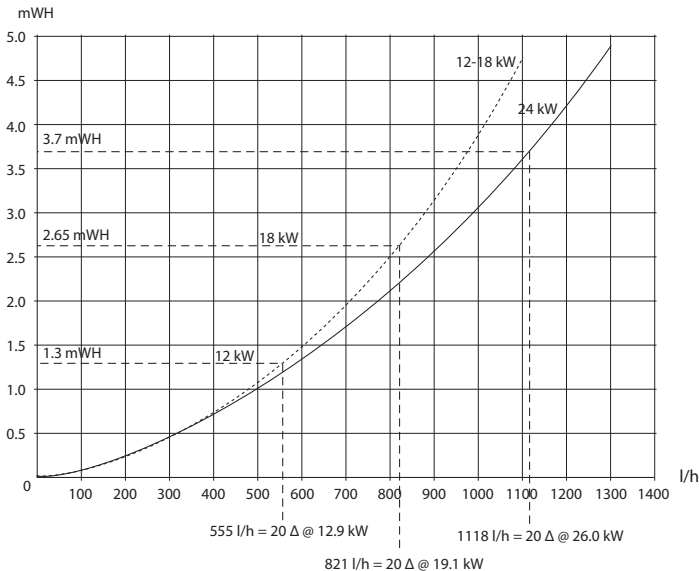
## Draining tap

A draining tap must be provided at all the lowest points of the system which will allow the entire system to be drained. A drain tap must also be installed on the flow and return pipes immediately above the boiler to ensure complete draining of the primary flow and return is possible. Drain taps shall be to the current standard of BS 2879.

## Sealed water systems

A sealed system kit is available from Ariston. Installation instructions are supplied with the kit.

## Pressure Loss Graphs through the boilers



## Flushing and Water Treatment

The boiler is equipped with a stainless steel heat exchanger.

The detailed recommendations for water treatment are given in BS 7593:1992 (Treatment of water in domestic hot water central heating systems); the following notes are given for general guidance.

If the boiler is installed on an existing system, any unsuitable additives must be removed.

Under no circumstances should the boiler be fired before the system has been thoroughly flushed; the flushing procedure must be in line with BS 7593:1992.

We highly recommend the use of a flushing detergent appropriate for the metals used in the circuit. These include cleansers produced by Fernox BetzDearbon, whose function is to dissolve any foreign matter that may be in the system.

In hard water areas or where large quantities of water are in the system the treatment of water to prevent premature scaling of the main exchanger is necessary.

The formation of scale compromises the efficiency of the thermic heat exchanger because small areas of scale cause a high increase in the temperature of the metallic walls and therefore add to the thermal stress of the heat exchanger.

Demineralised water is more aggressive so in this situation it is necessary to treat the water with an appropriate corrosion inhibitor.

Any treatment of water by additives in the system for frost protection or for corrosion inhibition has to be absolutely suitable for all metals used in the circuit.

The use of a corrosion inhibitor in the system such as Fernox MB-1, BetzDearborn Sentinel X100 or Fernox System Inhibitor is recommended to prevent corrosion (sludge) damaging the boiler and system.

If anti-freeze substances are to be used in the system, check carefully that they are compatible with the metals used in the circuit.

MTS suggests the use of suitable anti-freeze products such as Fernox ALPHI 11, which will prevent rust and incrustation taking place. Periodically check the pH balance of the water/anti-freeze mixture of the boiler circuit and replace it when the amount measured is out of the range stipulated by the manufacturer ( $7 < \text{pH} < 8$ ). DO NOT MIX DIFFERENT TYPES OF ANTI-FREEZE

In under-floor systems, the use of plastic pipes without protection against penetration of oxygen through the walls can cause corrosion of the systems metal parts (metal piping, boiler etc), through the formation of oxides and bacterial agents.

To prevent this problem it is necessary to use pipes with an "oxygen proof barrier", in accordance with standards DIN 4726/4729. **If pipes of this kind are not used, keep the system separate by installing heat exchangers of those with a specific system water treatment.**

### IMPORTANT

**Failure to carry out the water treatment procedure will invalidate the appliance guarantee.**

### System Controls

The boiler is electrically controlled and is suitable for most modern electronic time and temperature controls. The addition of such external controls can be beneficial to the efficient operation of the system. The boiler connections for external controls are 240V.

MTS supply a range of wired and wireless system controls. Contact your supplier for more details.

### Location

The boiler can be installed on any suitable internal wall (suitable sound proofing may be required when installing onto a stud partition wall). Provision must be made to allow for the correct routing of the flue and siting of the terminal to allow the safe and efficient removal of the flue products. A compartment or cupboard may be used provided that it has been built or modified for this purpose. It is not necessary to provide permanent ventilation for cooling purposes. Detailed recommendations are given in BS 5440 Part 2. If it is proposed that it is to be installed in a timber framed building then reference should be made to British Gas Document DM2, IGE/UP/7 or advice sought from CORGI.

**Where a room sealed appliance is installed in a room containing a bath or shower, the appliance and any electrical switch or appliance control, utilising mains electricity should be situated specifically in accordance with current IEE Wiring Regulations.**

For unusual locations, special procedures may be necessary. **BS 6798:2000** gives detailed guidance on this aspect.

# installation

## Condensate Discharge

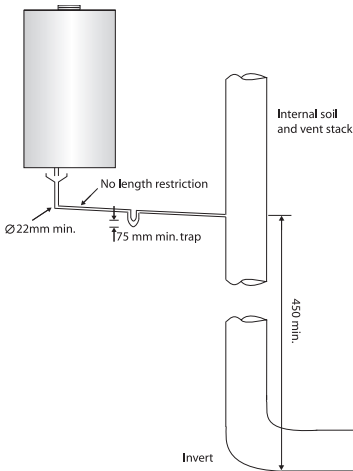
The condensate discharge hose from the boiler must have a continuous fall of 2.5° and must be inserted by at least 50mm into a suitable acid resistant pipe - e.g. plastic waste or overflow pipe. The condensate discharge pipe must have a minimum diameter of 22mm, must have a continuous fall and preferably be installed and terminated to prevent freezing. The discharge pipe must be terminated in a suitable position:

- i) Connecting into an internal soil stack (at least 450mm above the invert of the stack). A trap giving a water seal of at least 75mm must be incorporated into the pipe run, there also must be an air break upstream of the trap.
- ii) Connecting into the waste system of the building such as a washing machine or sink trap. The connection must be upstream of the washing machine/sink. If the connection is downstream of the waste trap then an additional trap giving a minimum water seal of 75mm and an air break must be incorporated in the pipe run, as above.
- iii) Terminating into a gully, below the grid level but above the water level
- iv) Into a soakaway

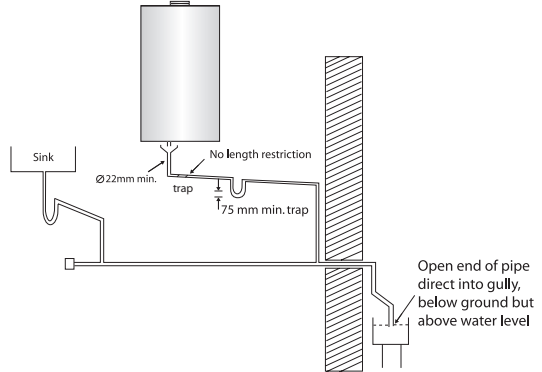
Note: If any condensate pipework is to be installed externally then it should be kept to a minimum and be insulated with a waterproof insulation and have a continuous fall. The total length of external pipe used should not exceed 3 metres.

Some examples of the type of condensate terminations can be found below.

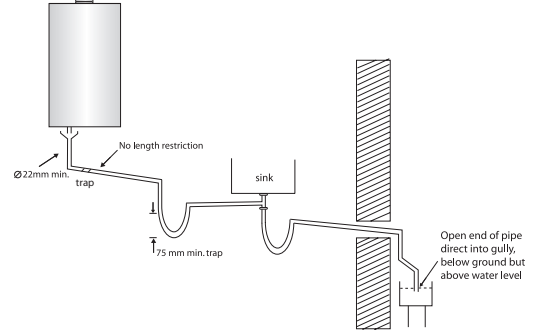
### 1. Internal termination of condensate drainage pipe to internal stack.



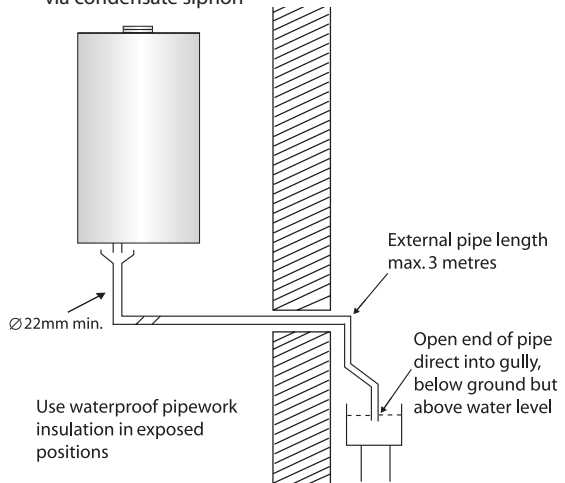
### 2. External termination of condensate drainage pipe via internal discharge branch (e.g. sink waste) and condensate siphon.



### 3. External termination of condensate drainage pipe via internal discharge branch (e.g. sink waste) - proprietary fitting.



### 4. External termination of condensate drainage pipe via condensate siphon

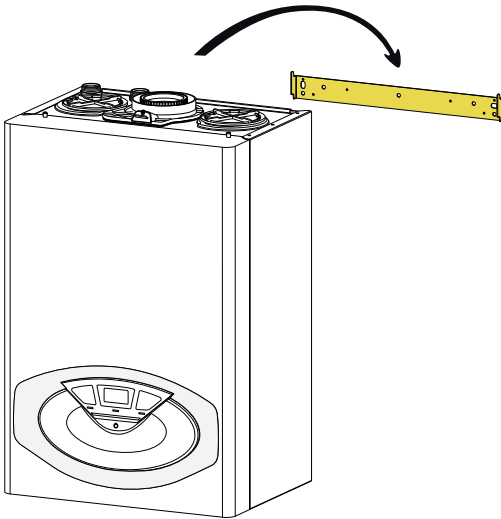


### Installing the Boiler

Please check that you are familiar with the installation requirement before commencing work (pages 8 - 16).

The installation accessories described in the following list are included in the boiler packaging:

- Hanging bracket
- A paper template (showing the dimensions of the boiler with 5 mm side clearances)
- Gas isolation valve (compression)
- Washers
- Installation, Servicing and User manual
- Flue gasket
- Fixing screws



### Method of positioning the boiler on the wall

The paper template can be used to ensure the correct positioning of kitchen cabinets etc.

The paper template has to be fixed to the wall and used to locate the position of the hanging bracket and the centre for the flue hole.

Drill and plug the wall and secure the hanging bracket using the screws provided, ensure the hanging bracket is fixed square on the wall. Remove the boiler from its packaging.

Place the boiler on the hanging bracket.

**NOTE: THE APPLIANCE MUST NOT BE FITTED ON A COMBUSTIBLE WALL SURFACE.**

### Connecting the boiler to the system

- Remove the boiler casing as described on page 19
- Remove the cap and connect the gas isolation valve to the boiler using the washer provided (C) page 18;

### Filling the system/condensate discharge

Fill the central heating and bleed air from the system as described in the Commissioning Instructions.

The system should be carefully checked for leaks, as frequent refilling could cause premature system corrosion or unnecessary scaling of the heat exchanger.

Pay special attention not to bend the condensate silicone drain pipe in such a way as to interrupt the flow. Please only use drain pipe material compatible with condensate products (refer to BS 6798:2000).

The condensate flow can reach 2 litres/hour because of the acidity of the condensate products (Ph close to 2), take care before operation.

See page 16 for condensate discharge options.

## installation

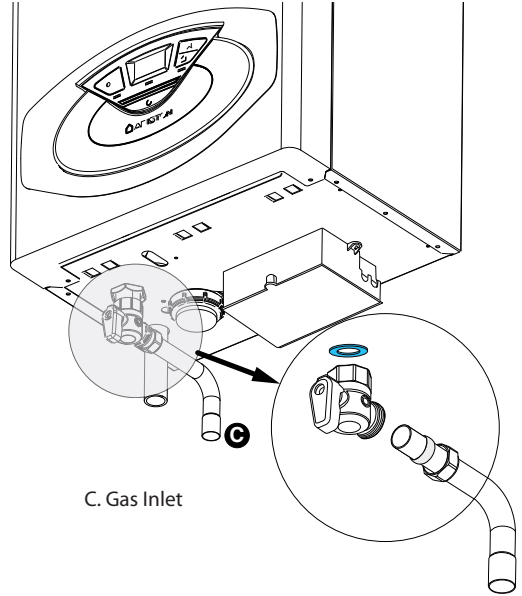
### Gas connection

Make sure, using the labels on the packaging and the data plate on the appliance itself, that the boiler is in the correct country and that the gas category for which the boiler was designed corresponds to one of the categories available in the country where it will be used.

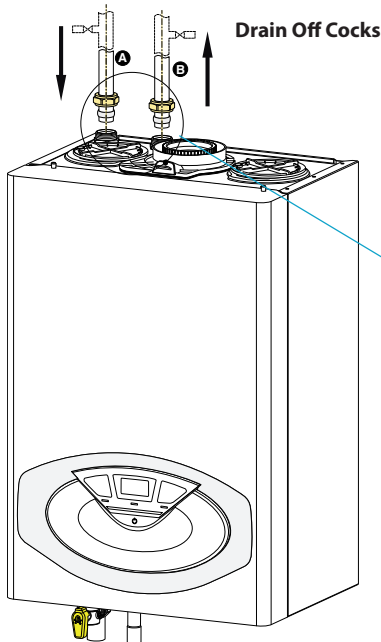
The gas supply piping must be created and measured out in compliance with specific legal requirements and in accordance with the maximum power of the boiler; ensure the gas isolation valve is connected correctly, see drawing opposite.

Check that the supplied gas corresponds to the type of gas for which the boiler was designed (see the data plate located on the appliance itself).

It is also important to check that the pressure of the gas (methane or LPG) you will be using to feed the boiler is suitable, because if it is insufficient the power may be reduced, causing inconvenience for the user.



### Central Heating connection



Drain Off Cocks

- A. Central Heating Return (pipes 22mm)
- B. Central Heating Flow (pipes 22mm)

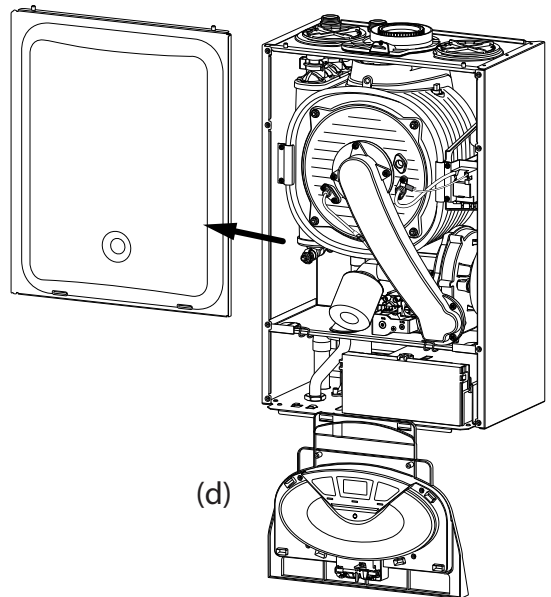
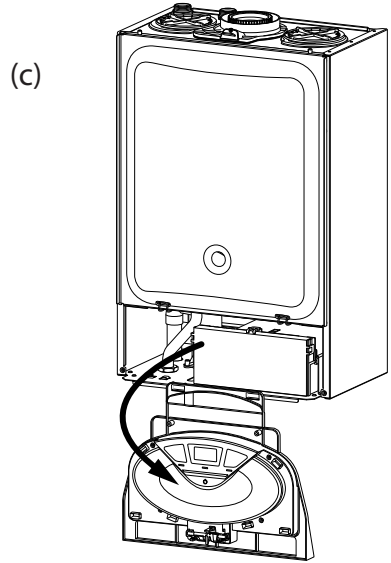
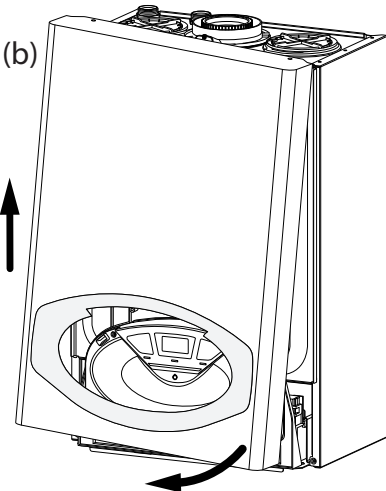
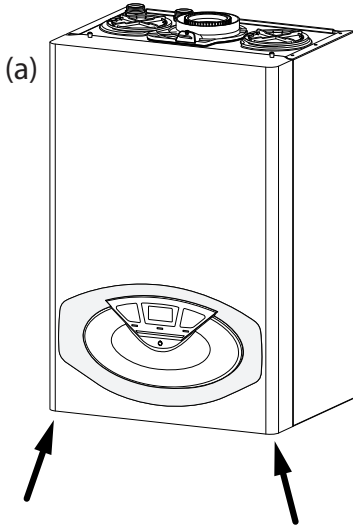
**Note: For IE use 3/4"» + 1/2" olives provided**

**Instructions for opening the casing and performing an internal inspection**

Before performing any work on the boiler, first disconnect it from the electrical power supply using the external bipolar switch, removing the fuse and shutting off the gas valve.

To access the inside of the boiler, the following is necessary:

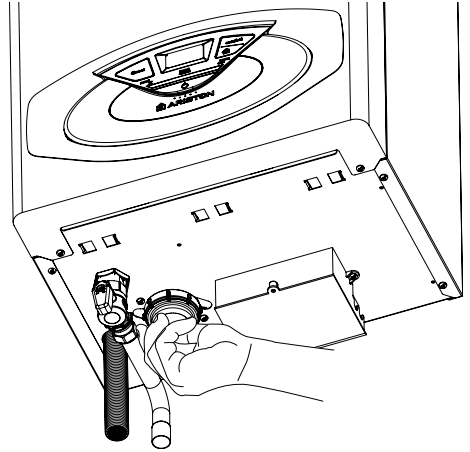
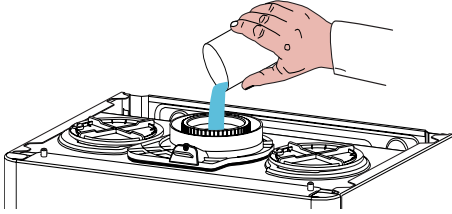
1. Loosen the two screws on the front casing (a), pull it forwards and unhook it from the upper pins (b)
3. Remove the control panel (c)
4. Unhook the two clips on the combustion chamber panel and lift off (d).



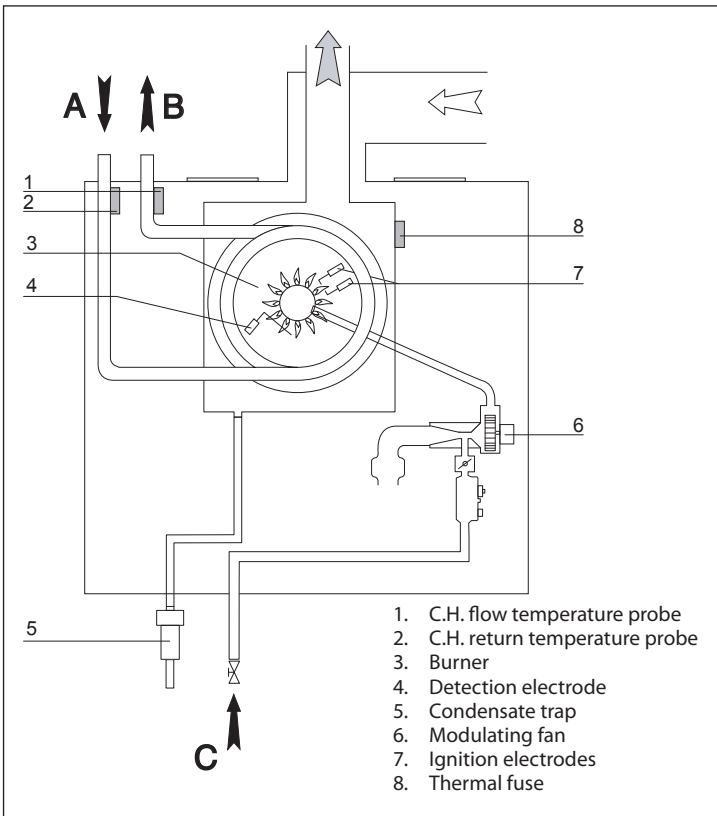
## installation

⚠ Before the boiler is used for the first time, the trap must be filled with water. To do this, add approximately 1/4 litre of water via the flue outlet before fitting the flue system, or unscrew the cap on the trap positioned underneath the boiler, fill it with water and refit it

⚠ Warning! Insufficient water in the trap can temporarily cause the flue gas to be expelled into the surrounding ambient air.



## Water circuit diagram





### Connecting the Flue

#### Flue System

The provision for satisfactory flue termination must be made as described in BS 5440-1.

The appliance must be installed so that the flue terminal is exposed to outdoor air. The terminal must not discharge into another room or space such as an outhouse or lean-to.

It is important that the position of the terminal allows a free passage of air across it at all times.

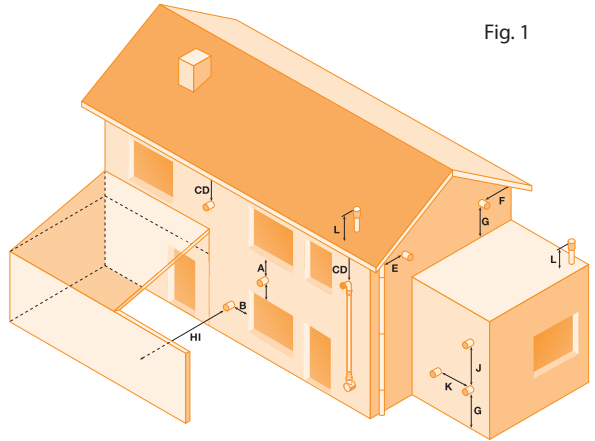
The terminal should be located with due regard for the damage or discolouration that might occur on buildings in the vicinity, it must also be located in a place not likely to cause nuisance.

In cold or humid weather water vapour may condense on leaving the flue terminal. The effect of such "steaming" must be considered.

If the terminal is less than 2 metres above a balcony, above ground or above a flat roof to which people have access, then a suitable stainless steel terminal guard must be fitted.

The minimum acceptable spacing from the terminal to obstructions and ventilation openings are specified in Fig. 1.

Fig. 1



- A Directly above or below an opening, window, etc 300 mm
- B Horizontally to an opening, window, etc 300 mm
- C Below gutters, soils pipes or drain pipes 75 mm
- D Below eaves 200 mm
- E From vertical drain pipe or soil pipe 75 mm
- F From internal or external corner 300 mm
- G Above ground, roof or balcony level 300 mm
- H From a surface facing the terminal 2500 mm
- I From a terminal facing a terminal 2500 mm
- J Vertically from a terminal on the same wall 1500 mm
- K Horizontally from a terminal on the same wall 300 mm
- L Fixed by vertical flue terminal

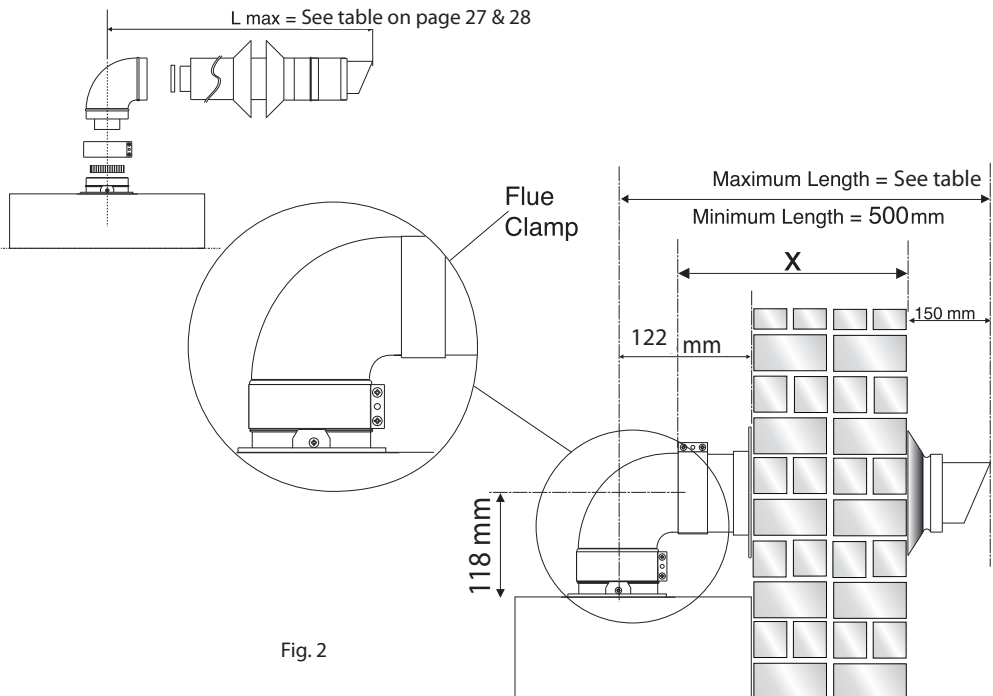


Fig. 2

## installation

### Warning

The exhaust gas ducts must not be in contact with or close to inflammable material and must not pass through building structures or walls made of inflammable material.

When replacing an old appliance, the flue system must be changed.

### Important

Ensure that the flue is not blocked.

Ensure that the flue is supported and assembled in accordance with these instructions.

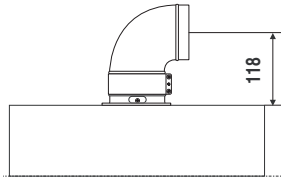
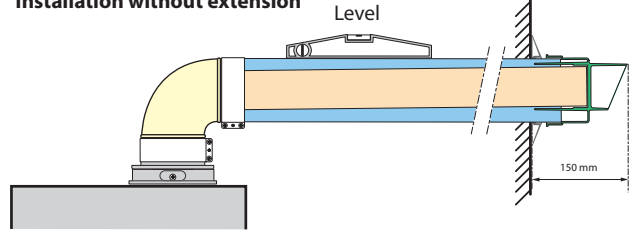
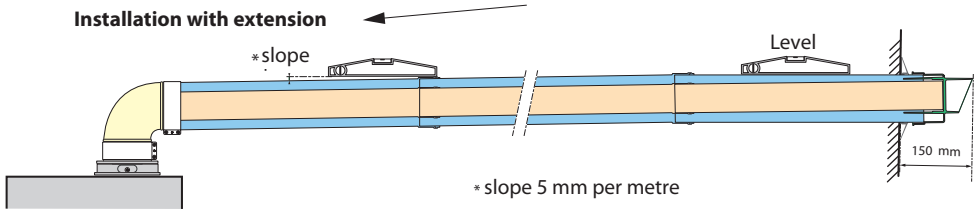


Fig. 3

### Installation without extension



### Installation with extension



### Fitting the Coaxial Flue

(Ø 60 / 100 Horizontal)

Contents:

- 1x Silicone O-Ring (60mm)
- 1x Elbow (90°)
- 2x Wall Seals (Internal & External)
- 1x Flue Pipe including Terminal (1 metre - 60/100)
- 2x Flue Clamps
- 4x Screws
- 2x Seals

Once the boiler has been positioned on the wall, fit the rubber flue seal into the internal flue turret (see diagram opposite).

Insert the elbow into the socket and rotate to the required position. Note: It is possible to rotate the elbow 360° on its vertical axis.

Using the flue clamp, seals and screws supplied (Fig 4) secure the elbow to the boiler.

The 1 metre horizontal flue kit (3318073) supplied is suitable for an exact X dimension of 811 mm.

Measure the distance from the face of the external wall to the face of the flue elbow (X - Fig 2), this figure must now be subtracted from 811 mm, you now have the total amount to be cut from the plain end of the flue.

Draw a circle around the outer flue and cut the flue to the required length taking care not to cut the inner flue, next cut the inner flue ensuring that the length between the inner and outer flue is maintained. (Fig 4).

e.g.

$$X = 555\text{mm}$$

$811 - 555 = 256\text{mm}$  (Length to be cut from the plain end of the flue).

Once cut to the required length, ensure that the flue is free from burrs and reassemble the flue. If fitting the flue from the inside of the building attach the grey outer wall seal to the flue terminal and push the flue through the hole, once the wall seal has passed through the hole, pull the flue back until the seal is flush with the wall. Alternatively, the flue can be installed from the outside of the building, the grey outer seal being fitted last.

Should the flue require extending, the flue connections are push fit, however, one flue bracket should be used to secure each metre of flue.

Note: See table for maximum and minimum flue runs.

During use it is possible small quantities of condensate will drip from the end of the terminal. Pay attention when siting the flue termination point.

Applies to all horizontal terminations.

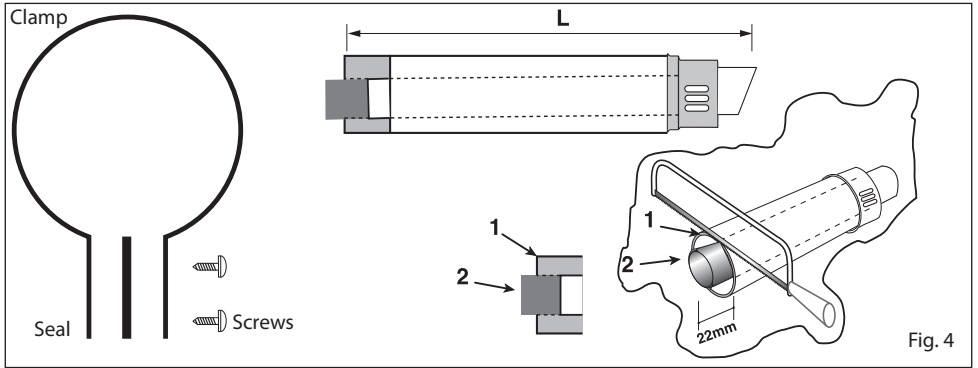


Fig. 4

**Fitting the 5" Flue** (Ø 80 / 125 Horizontal/vertical)

Once the boiler has been positioned on the wall, it is necessary to insert the Ø80/125 adaptor (Fig. 5) for both horizontal and vertical flue runs into the boiler flue socket (not supplied with flue kit - Part No 3318095).

Push the adaptor onto the boiler's flue connection, grease the seals then add extensions or elbows as required, secure the adaptor, using the clamp and screws provided.

To fit extensions or elbows it is first necessary to ensure that the lip seal is fitted correctly into the inner flue, once verified, it is simply necessary to push them together, no clamps are necessary to secure the flue components.

Before proceeding to fit the flue, ensure that the maximum flue length has not been exceeded (See the tables) and that all elbows and bends have been taken into consideration, the maximum flue length is 10 metres, for each additional 90° elbow 1 metre must be subtracted from the total flue length, and for each 45° bend 0.5 metres must be subtracted from the total flue length (the height of the vertical adaptor and a 45° bend can be seen in Fig.6 and a 90° bend in Fig. 7).

Note: DO NOT cut the vertical flue kit.

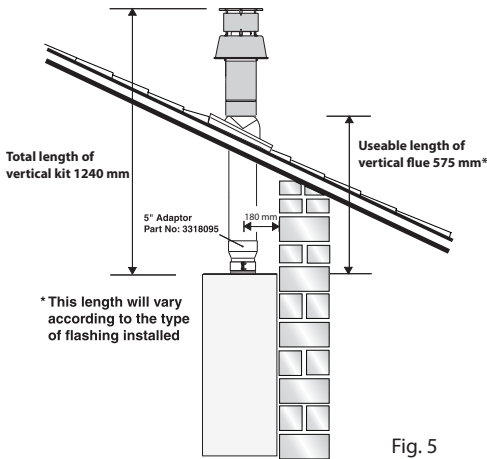


Fig. 5

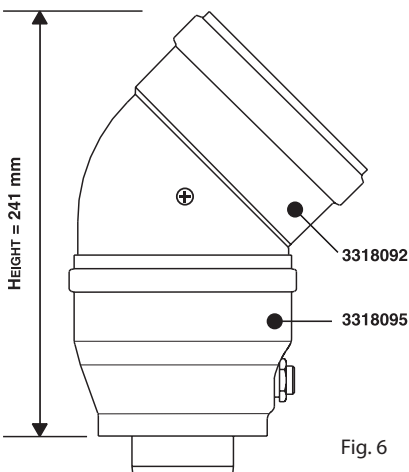


Fig. 6

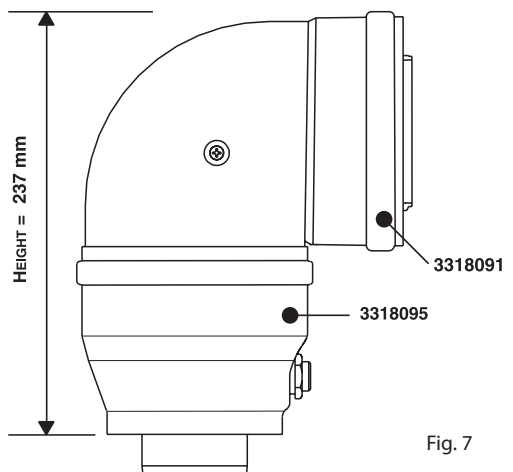


Fig. 7

# installation

## Fitting the Coaxial Flue (Ø 60 / 100 Vertical)

Note: See table for maximum and minimum flue runs.

Contents:

- 1x Silicone O-Ring (60mm)
- 1x Conical Adaptor (60/100mm)
- 1x Vertical Flue Kit (80/125mm)
- 3x Screws

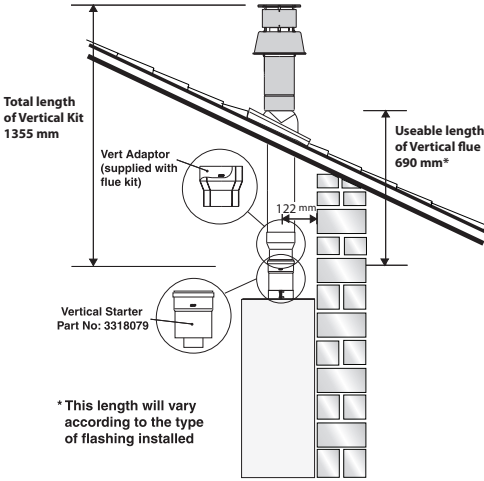


Fig. 7

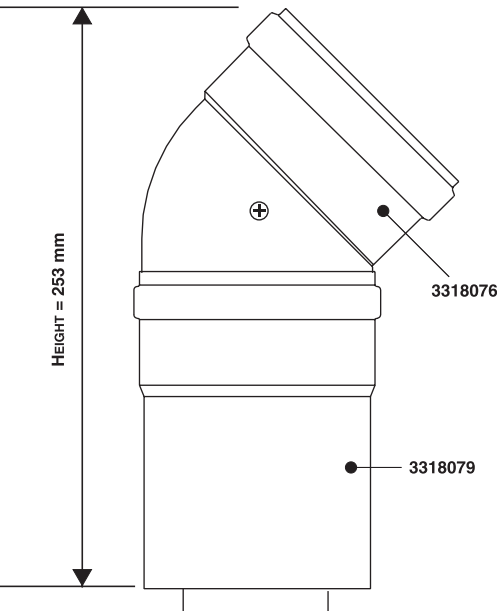


Fig. 8

The vertical flue kit is supplied with a specially designed weather proof terminal fitted, it can be used either with a flat roof or a pitched roof.

The vertical flue kits useable lengths with the pitched roof flashings are indicated in Fig. 7.

Before proceeding to fit the flue, ensure that the maximum flue length has not been exceeded (See the tables) and that all elbows and bends have been taken into consideration, the maximum flue length can be found on the table on page 27 & 28. For each additional 90° elbow 1 metre must be subtracted from the total flue length, and for each 45° bend 0.5 metres must be subtracted from the total flue length (the height of the vertical adaptor and a 45° bend can be seen in Fig. 7).

Mark the position of the flue hole in the ceiling and/or roof (see Fig. 7 for distance from wall to the centre of the flue).

Cut a 130mm diameter hole through the ceiling and/or roof and fit the flashing plate to the roof.

DO NOT cut the vertical flue kit.

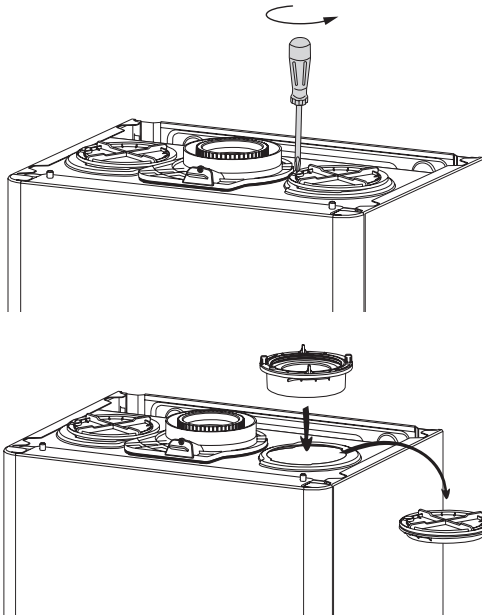
To connect the vertical flue kit directly to the boiler, place the vertical starter kit (Part No. 3318079) (see Fig. 7) onto the exhaust manifold and secure with the clamp, fit the vertical adaptor onto the vertical starter kit (note: there is no need to use a clamp to secure this as it is a push fit connection), the vertical flue kit must then be inserted through the roof flashing, this will ensure that the correct clearance above the roof is provided as the terminal is a fixed height.

Should extensions be required, they are available in 1 metre (Part No. 3318077), 500mm (Part No. 3318078), they must be connected directly to the vertical starter kit before connecting the adaptor to allow the vertical flue kit to be fitted. In the event that extension pieces need to be shortened, they must only be cut at the male end and it must be ensured that the inner and outer flue remain flush.

When utilising the vertical flue system, action must be taken to ensure that the flue is supported adequately to prevent the weight being transferred to the appliance flue connection by using 1 flue bracket per extension.

When the flue passes through a ceiling or wooden floor, there must be an air gap of 25mm between any part of the flue system and any combustible material. The use of a ceiling plate will facilitate this. Also when the flue passes from one room to another a fire stop must be fitted to prevent the passage of smoke or fire, irrespective of the structural material through which the flue passes.

**Fitting the Twin Pipe (Ø80 / 80)**



Note: See on page 27 for maximum and minimum flue runs.

Where it is not possible to terminate the flue within the distance permitted for coaxial flues, the twin flue pipe can be used by fitting a special adaptor to the flue connector and using the aperture for the air intake located on top of the combustion chamber.

Always ensure that the flue is adequately supported, using one flue bracket per extension and avoiding low points. (MTS supply suitable clamps as Part No. 705778).

To utilise the air intake it is necessary to:

- 1) Take the air intake cover off the top of the appliance;
- 2) Assemble the flange on the header supplied with the boiler;
- 3) Insert the header on the tube or the elbow up until the lower stop (you do not have to use the washer);
- 4) Insert the elbow/header in the boiler air intake hole and fasten it with screws.

The twin flue pipes can be fitted with or without additional elbows and need no clamps, simply ensure that the black o-ring is inserted in the female end of the flue pipe and push the extension piece fully into

the previous section of flue pipe or elbow, check that the o-ring is not dislodged when assembling the flue (greasing the seal will aid assembly).

Twin pipe can also be converted back to coaxial flue to enable vertical termination with a coaxial kit by using the pipe bridge (Twin - Coaxial Adaptor - Part No. 3318089). When running the twin flue pipe vertically.

It is not possible to terminate concentrically horizontally. Termination is only possible with separate air and exhaust terminals.

When siting the twin flue pipe, the air intake and exhaust terminals must terminate on the same wall, the centres of the terminals must be a minimum of 280 mm apart and the air intake must not be sited above the exhaust terminal (refer to Fig. 10). The air intake pipe can be run horizontally, however, the terminal and the final 1 metre of flue must be installed either horizontally or with a slight fall away from the boiler to avoid rain ingress.

It is also strongly recommended that the air intake pipe run be constructed of insulated pipe to prevent condense forming on the outside of the tube.

The maximum permissible flue length for twin flue is dependent on the type of run used (see table on page 28).

For further information relating to flue runs not illustrated, please contact the Technical Department on 0870 241 8180.

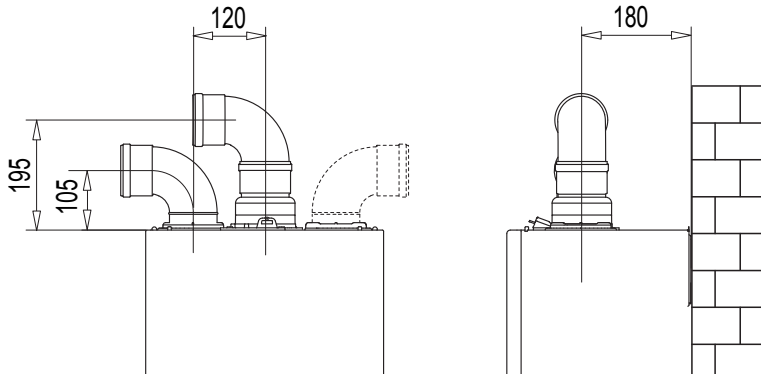


Fig. 9

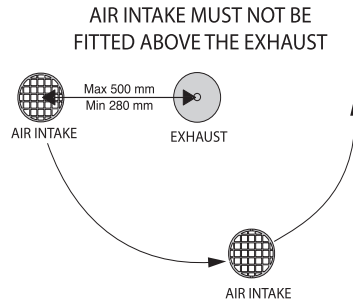
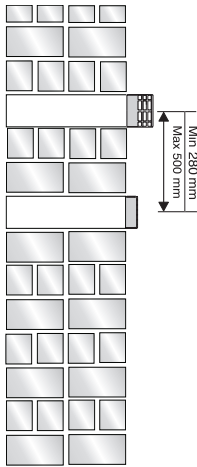


Fig. 10

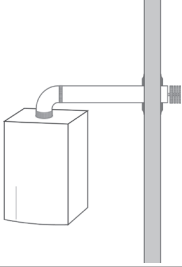
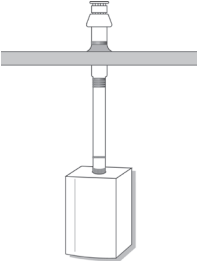
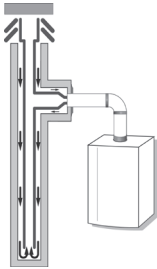
For coaxial systems, the maximum flue lengths, mentioned in the table on page 28 also take into account an elbow.

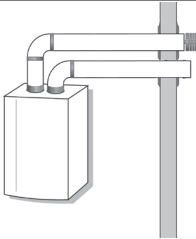
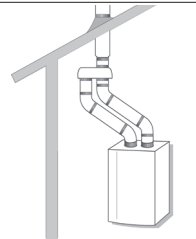
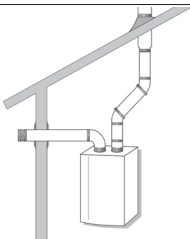
For twin flue systems the maximum flue length, mentioned in the table includes the exhaust gas/air intake terminal.

Twin flue outlets should respect the following instructions:

- 1- Use the same  $\varnothing$  80 mm flue pipes for the air intakes and exhaust gas ducts.
- 2- If you need to insert elbows in the air intake and exhaust gas ducts, you should consider for each one the equivalent length to be included in the flue length calculation.
- 3- The exhaust terminal should jut above the roof by at least 0.5 m.
- 4- The intake and exhaust gas ducts in Type C13 + C53 must be installed on the same wall, or where the exhaust is vertical and the air intake horizontal, the terminals must be on the same side of the building.

Table of flue gas exhaust duct lengths

COAXIAL SYSTEM	FLUE TYPE		MAX LENGTH	DIAMETER of PIPE	Equivalent length	
					45°	90°
	<p><b>C13</b></p> <p>Flue gas exhaust and air suction duct through external wall in the same range of pressure</p>	12	16 m 48 m	60/100 80/125	0.5 m	1 m
		18	14 m 42 m	60/100 80/125		
		24	12 m 36 m	60/100 80/125		
	<p><b>C33</b></p> <p>Flue gas exhaust and air suction duct from outside with roof terminal in the same range of pressure</p>	12	16 m 56 m	60/100 80/125		
		18	10 m 49 m	60/100 80/125		
		24	12 m 42 m	60/100 80/125		
	<p><b>C43</b></p> <p>Individual or shared flue gas exhaust and air suction through flue ducting built into the building Note: A specialist flue system is required</p>	12	16 m 0 m	60/100 80/125		
		18	14 m 0 m	60/100 80/125		
		24	12 m 0 m	60/100 80/125		

TWIN-PIPE SYSTEM	FLUE TYPE		MAX LENGTH	DIAMETER of PIPE	Equivalent length	
					45°	90°
	<p><b>C13</b></p> <p>Flue gas exhaust and air suction duct through external wall in the same range of pressure</p>	12	48 m (S1=S2)	80/80		
		18	42 m (S1=S2)			
		24	36 m (S1=S2)			
	<p><b>C33</b></p> <p>Flue gas exhaust and air suction duct from outside with the roof terminal in the same range of pressure</p>	12	80 m (S1=S2)	80/80	0.5 m	1 m
		18	70 m (S1=S2)			
		24	60 m (S1=S2)			
	<p><b>C53</b></p> <p>Flue gas exhaust leading outside and air suction duct through external wall not in the same range of pressure</p>	12	112 m (S1+S2)	80/80		
		18	98 m (S1+S2)			
		24	84 m (S1+S2)			

S1 = Air intake S2 = Flue gas exhaust

S1 = S2 - Air intake and flue gas exhaust equal lengths

S1 + S2 - Air intake and flue gas exhaust unequal lengths



**⚠ WARNING**  
**Before performing any work on the boiler, first disconnect it from the electrical power supply using the external bipolar switch and removing the fuse.**

**Electrical connections**

For increased safety, ask a qualified technician to perform a thorough check of the electrical system. The manufacturer is not responsible for any damage caused by the lack of a suitable earthing system or by the malfunctioning of the electricity mains supply. Make sure that the system is able to withstand the maximum power absorbed by the boiler (this is indicated on the appliance data plate). Check that the section of the wires is suitable and is not less than 0.75 mm<sup>2</sup>

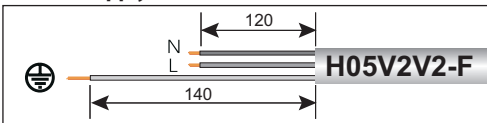
The appliance must be connected to an efficient earthing system if it is to operate correctly.

The power supply cable must be connected to a 230V-50Hz network, where the L-N poles and the earth connection are all respected.

Important!

In the event that the power supply cable must be changed, replace it with one with the same specifications.

**Power supply cable**



**⚠ Important!**  
**The appliance is supplied with a fly-lead already connected, this must be connected to a 240V supply fused at 3 Amp and must facilitate complete electrical isolation of the appliance, by use of a fused double pole isolator having a contact separation of at least 3mm in all poles or alternatively by means of a 3A fused three pin plug and unswitched shuttered socket outlet both complying with BS1363.**

The use of multiplugs, extension leads or adaptors is strictly prohibited.

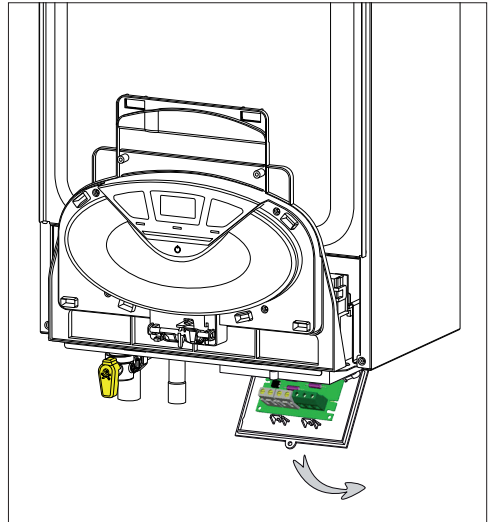
It is strictly forbidden to use the piping from the hydraulic, heating and gas systems for the appliance earthing connection.

**Electrical connection unit**

To access the electrical connection unit carry out the following steps:

- Disconnect the boiler from the power supply
- Loosen the screws on the cover of the outside connection box below the boiler (see diagram below)
- Open the cover
- The connection PCB may be accessed in order to connect :

- Main supply**
- Live to pump**
- Zone valves**
- Outdoor sensor**
- Switched live connection/s**
- Cylinder stat**

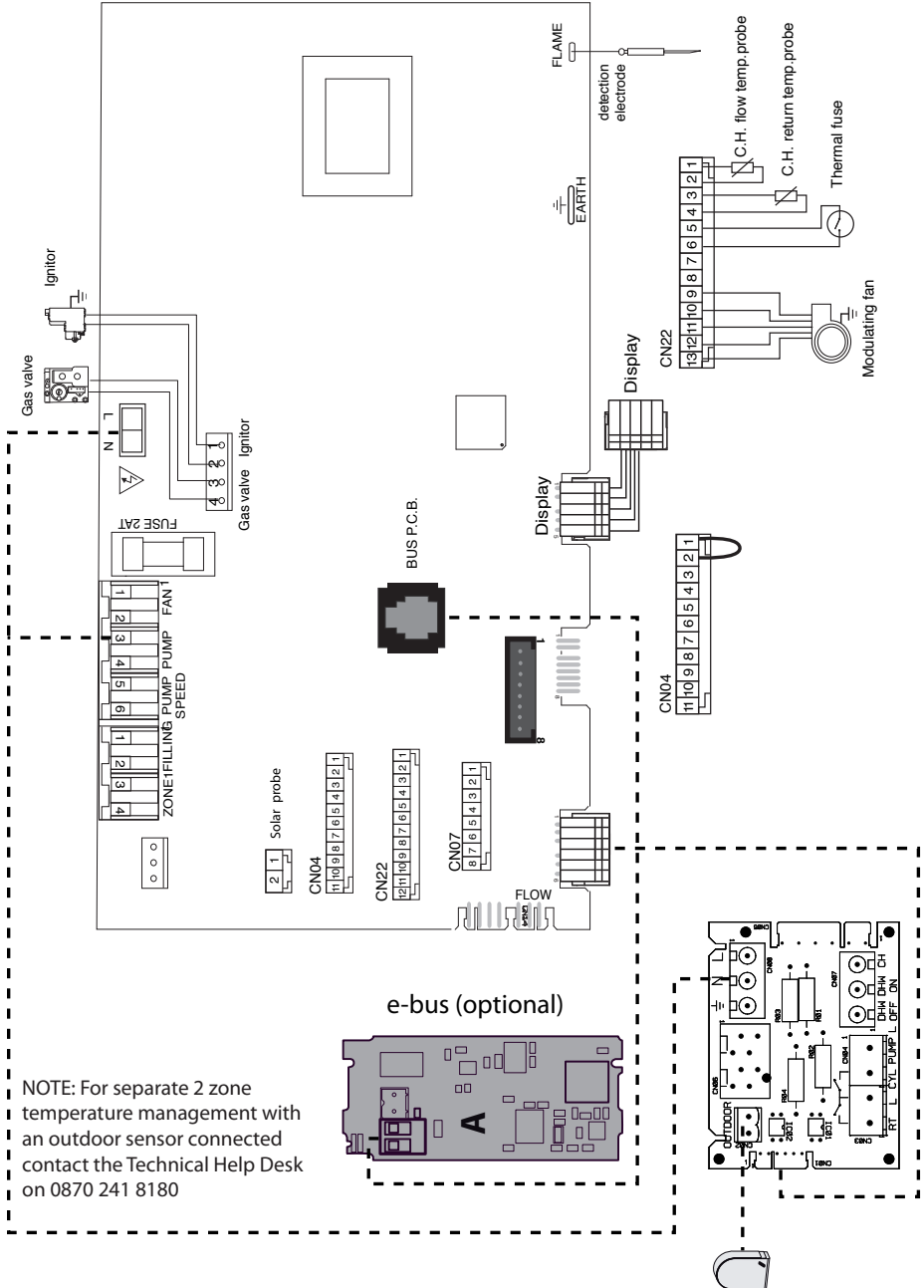


**⚠ Caution!**  
**For the connection and positioning of the wires belonging to optional peripheral units, please refer to the installation manuals of these units.**

# installation

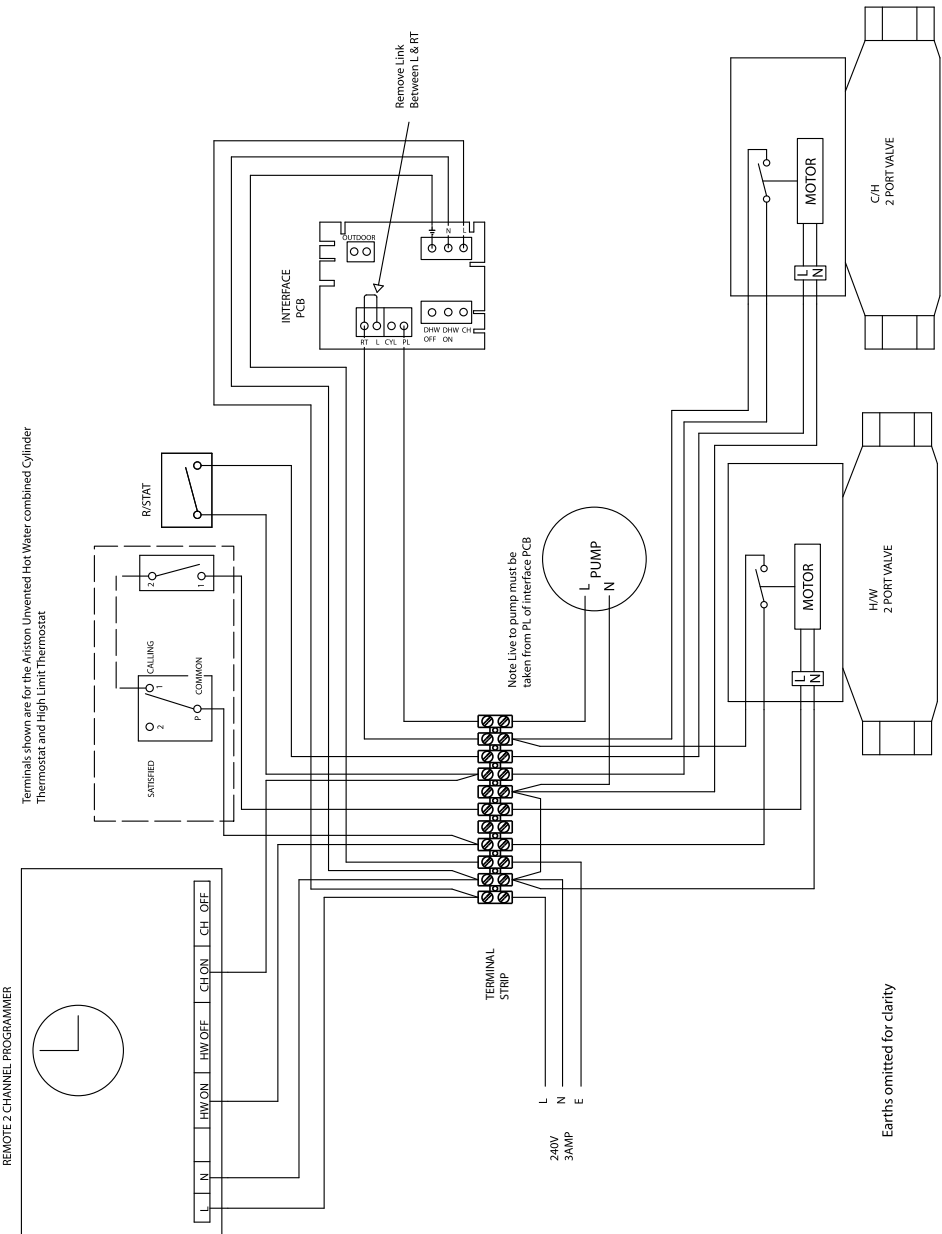
## Electrical diagram

For increased safety, ask a qualified technician to perform a thorough check of the electrical system. The manufacturer is not responsible for any damage caused by the lack of a suitable earthing system or by the malfunctioning of the electricity mains supply.

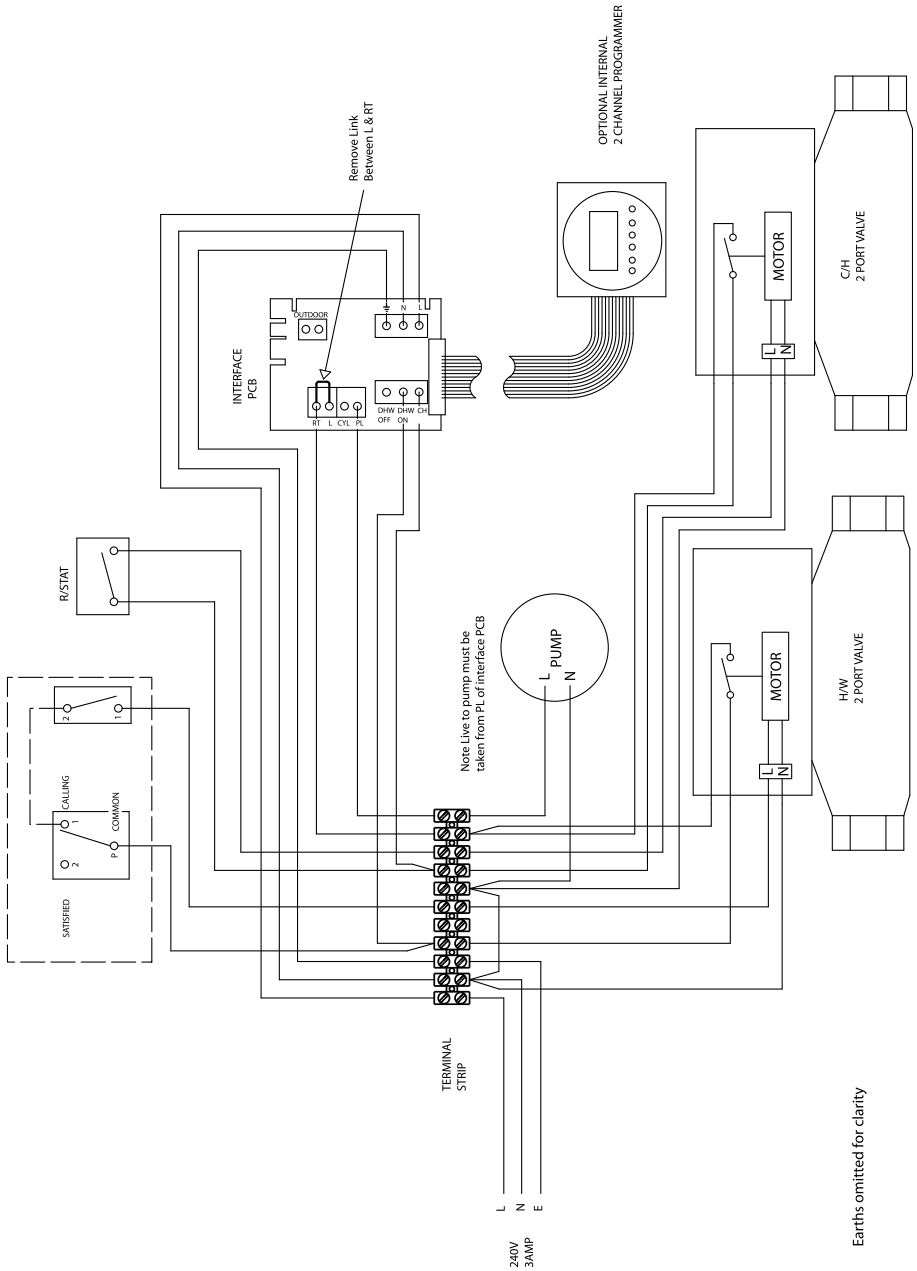


NOTE: For separate 2 zone temperature management with an outdoor sensor connected contact the Technical Help Desk on 0870 241 8180

S Plan system utilizing external 2 channel programmer and Ariston unvented hot water cylinder



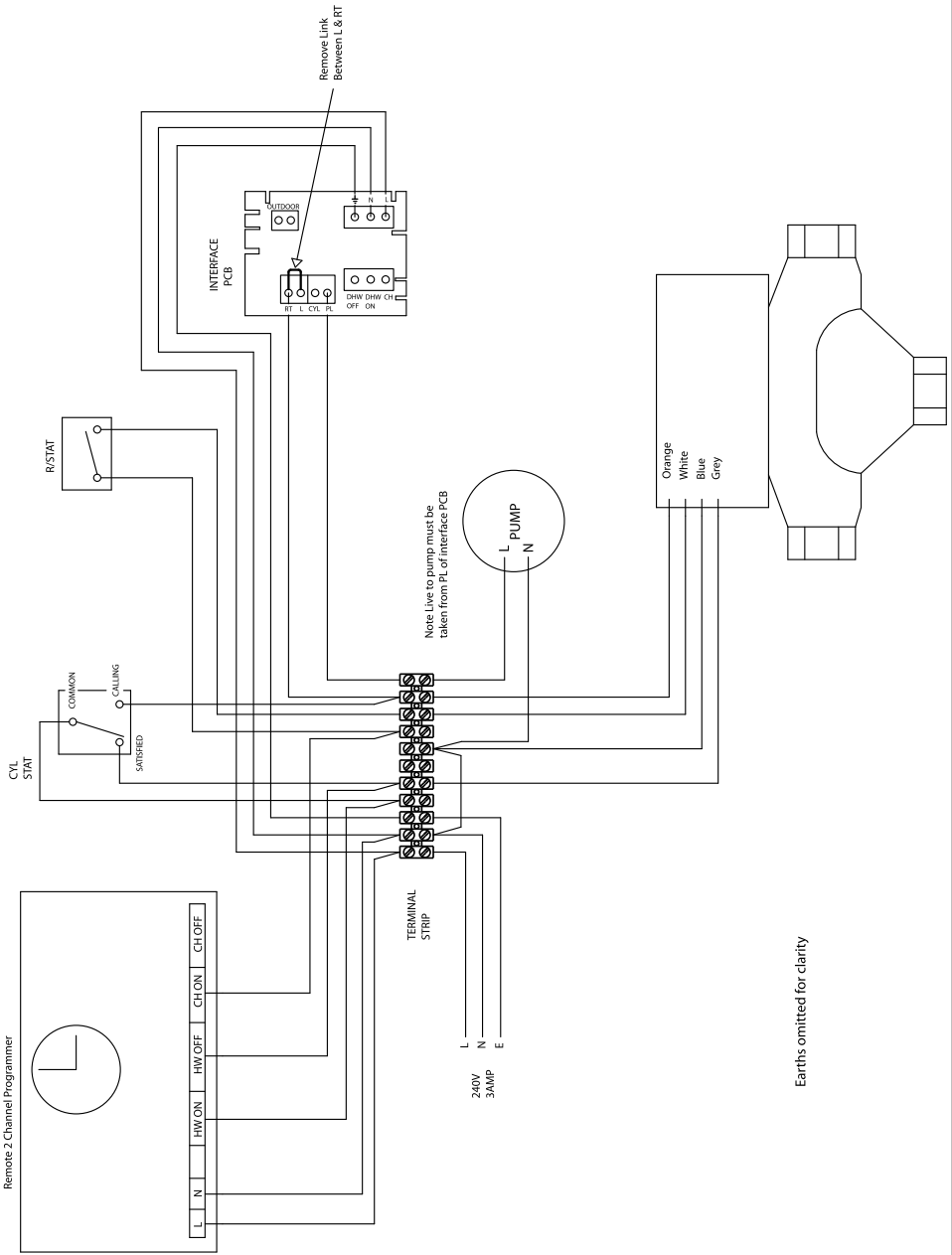
**5 Plan system utilizing integral 2 channel programmer and Ariston unvented hot water cylinder**



Terminals shown are for the Ariston Unvented Hot Water combined Cylinder Thermostat and High Limit Thermostat

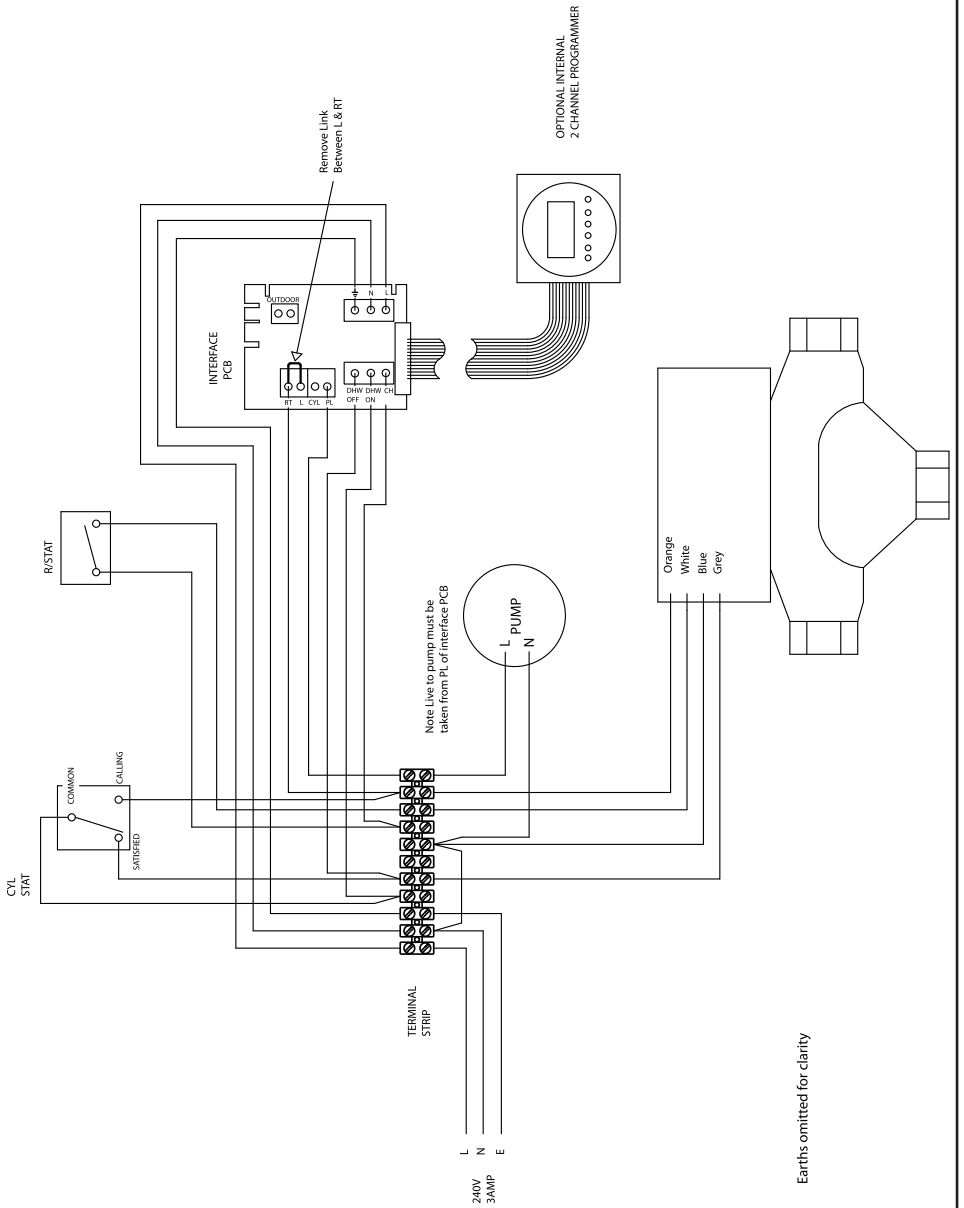
Earths omitted for clarity

Y Plan system utilizing external 2 channel programmer



Earths omitted for clarity

Y Plan system utilizing integral 2 channel programmer



**Initial preparation**

MTS (GB) Limited support the benchmark initiative. On pages 61 and 62 of this manual the Benchmark Commissioning Checklist and Service Interval Record can be found. It is important that this is completed in the presence of your customer, they are shown how to use it, and it is signed by them. Please instruct your customer that they must have this manual with them whenever they contact a service engineer or us.

Preliminary electrical system checks to ensure electrical safety must be carried out by a competent person i.e. polarity, earth continuity, resistance to earth and short circuit.

**Electricity supply**

- Check that the voltage and frequency of the electricity supply correspond to the data shown on the boiler data plate;
- Make sure that the earthing connection is efficient.

**Filling the Heating System:**

Close all air release valves on the central heating system;

**Open system**

Fill the boiler system via the feed and expansion tank.

**Sealed system**

Gradually open the valves at the filling point (filling loop) until water is heard to flow, do not open fully; Open each air release tap starting with the lowest point and close them only when clear water free of air is visible;

Inspect the system for water tightness and remedy any leaks discovered.

**Gas Supply:**

Inspect the entire installation including the gas meter and test for tightness. The entire installation should be in accordance with the relevant standards. In GB this is BS 6891 and in IE this is the current edition of I.S.813.

The connection on the the appliance is a 15mm nut and olive located at the rear of the gas isolating valve.

If the gas supply serves other appliances, ensure that an adequate supply is available both to the boiler and the other appliances when they are in use at the same time.

Pipe work must be of an adequate size. Pipes of less than 22mm should not be used, final connection being 15mm.

Open the gas isolating valve (supplied with the connection kit) to the appliance and check the gas connection on the appliance for leaks.

**Water Treatment:**

The boiler is equipped with a stainless steel heat exchanger.

The detailed recommendations for water treatment are given in BS 7593:1992 (Treatment of water in domestic hot water central heating systems); the following notes are given for general guidance;

If the boiler is installed on an existing system, any unsuitable additives must be removed;

Under no circumstances should the boiler be fired before the system has been thoroughly flushed and refilled; the flushing procedure must be in line with BS7593:1992.

Firstly fill the central heating system with the power off, and flush through cold, fill the central heating system again, adding a flushing detergent, run the boiler on central heating until it reaches its operating temperature and flush the system, refill the system with a suitable corrosion inhibitor,

NOTE: FAILURE TO CARRY OUT THE FLUSHING PROCEDURE WILL RESULT IN THE WARRANTY BECOMING VOID.

**FIRST IGNITION OPERATION**

Date .....

Installer .....

1. Check the electrical supply.

Complete .....



2. Check the type of gas and change the gas if necessary.

Complete .....



3. Check the gas tightness.

Complete .....

4. Measure the gas inlet standing pressure

Complete .....



5. Check the flue installation. See page 21 - 28....

Complete .....



6. Fill the installation. See page 35....

Complete .....

7. Check the hydraulic water tightness.

Complete .....



8. Set the heating power. See page 38....

Complete .....



9. Balance the central heating circuit.

Complete .....

10. Measure the gas inlet working pressure.

Complete .....



11. Check the boiler combustion.

Complete .....



12. Gas rate the appliance.

Complete .....

13. Explain to the end user how to use the boiler/ timer/control

Complete .....



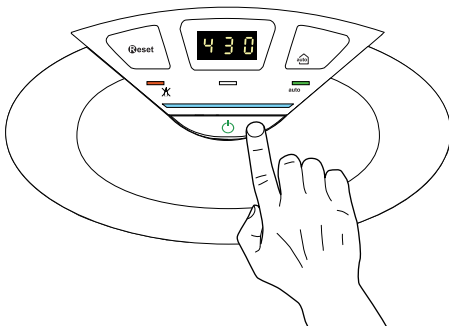
14. Complete the Benchmark Log Book (page 61)

Complete .....



### Ignition procedure

Press the ON/OFF button on the control panel to switch on the boiler. The display shows:



The operating mode will be indicated by the three figures marked out on the diagram above.

The first figure indicates the operating mode:

- 0 XX - Stand-by
- C XX - Boiler active
- c XX - "CH External Pump Overrun" - Heating external pump overrun
- F XX - -Anti-freeze protection enabled

The second and third figures indicate:

- the flow temperature when no heating requests have been made
- the flow temperature in heating mode
- the flow temperature in anti-freeze mode.

### Electricity supply

- Check that the voltage and frequency of the electricity supply correspond to the data shown on the boiler data plate;
- Make sure that the earthing connection is efficient.

### First ignition

1. Make sure that:

- The gas valve is closed;
- The electrical connection has been properly carried out. Make sure that, the green/yellow earthing wire is connected to an efficient earthing system;
- Switch on the boiler (by pressing the ON/OFF button)
- Bleed the air from the system;
- The flue system should be suitable and free from any obstructions;

2. Open the gas isolating valve and check the connection seals, including the boiler connection joints, making sure that the meter does not detect any passage of gas. Eliminate any leaks.

3. Start the boiler by turning on the time control + ensure thermostats are calling for heat.

## commissioning

### menu 2 - Boiler parameters

NOTE: To access the menus, see page 42

#### submenu 3 - parameter 1

##### Maximum Heating Power adjustment

#### submenu 2 - parameter 0

Soft light Ignition

#### submenu 3 - parameter 5

##### Heating ignition delay

### Maximum Heating Power adjustment

The maximum heating power can be adjusted to between the maximum power allowed by the boiler and the minimum power.

The display shows the value between 100% ("99" on the display) and 0% ("0").

To check the maximum heating power, access menu 2/sub menu 3/parameter 1, check the value and, if necessary, modify it as indicated in the Gas Regulation table. (below).

### Checking slow ignition power

The soft light can be adjusted between the maximum power (shown on the display as "99", i.e. 100%) and the minimum power (shown on the display as "1", i.e. 1%).

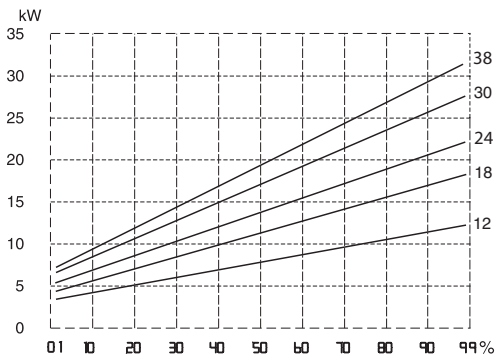
To check the slow ignition power, access menu 2/sub menu 2/parameter 0.

### Heating ignition delay adjustment

This parameter – menu 2/sub menu 3/parameter 5 – can be used to manually (0) or automatically (1) set the delay time before the subsequent reignition of the burner after it has switched off on reaching the desired temperature in central heating mode.

By selecting manual (0), it is possible to set the delay in minutes using the successive parameter (menu 2/sub menu 3/parameter 6), to a time between 0 and 7 minutes.

Automatic selection means that the boiler will establish the delay time based on the set-point temperature.

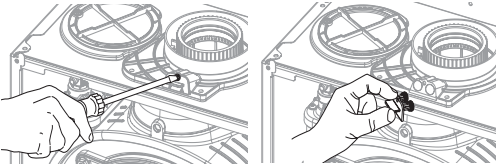


		gas setting						
		parameters		12 kW		18 kW		24 kW
			G20	G31	G20	G31	G20	G31
lower Wobbe index (15°C, 1013 mbar) (MJ/m <sup>3</sup> )			45,67	70,69	45,67	70,69	45,67	70,69
slow ignition		220	50	60	50	60	50	60
minimum fan speed(%)		233	00	00	02	02	05	05
maximum output fan speed (%)		234	70	70	80	80	85	85
gas valve restrictor(ø)			4,40	3,10	NO	3,80	NO	3,80
gas flow max/min (15°C, 1013 mbar) (nat - m <sup>3</sup> /h) (GPL - kg/h)		max C.H.	1,27	0,93	1,90	1,40	2,33	1,71
		min	0,32	0,23	0,48	0,35	0,58	0,43

**Test function and combustion analysis**

The boiler has two pressure test points to measure the combustion gas temperature, the combustive air and the concentrations of O<sub>2</sub> and CO<sub>2</sub> on the outside of the flue gas header.

To access these pressure test points, unscrew the screw which holds the blanking cover and its seal together.



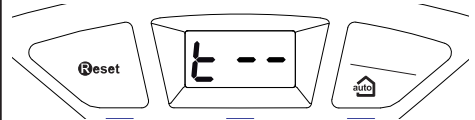
**Checking the gas setting**

To carry out combustion analysis, the test function must be activated.

**Test function**

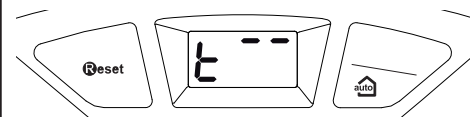
The PCB allows the appliance to be forced to minimum or maximum power.

Activate the test function by pressing the **Reset** button for 5 seconds, the boiler switches to maximum heating power, the following appears on the display: To select the function at maximum domestic hot



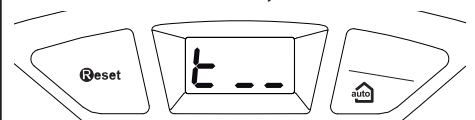
water, press the (+) button, the following appears on the display:

To select the function at minimum domestic hot



water, press the (-) button, the following appears on the display:

The function is automatically deactivated after 10



minutes or by pressing the **Reset** button.

Note: the appliance can be forced to minimum or maximum power from menu 7 (see the section on the display - setting - diagnostics menu).

**WARNING!** By activating the test function, the temperature of the water sent to the installation is limited to 88°C; caution is therefore required with regard to low-temperature installations.

**Maximum gas flow combustion analysis**

Activate the test function at the maximum heating power, press the + button.

Wait for the boiler to stabilise before carrying out the combustion analysis. Check the CO<sub>2</sub> value according to the table opposite.

Maximum or minimum CO <sub>2</sub>	12 kW	18 kW	24 kW
	CO <sub>2</sub> (%)		
G20	9.0 ± 0.2	9.2 ± 0.2	9.3 ± 0.2
G31	10.2 ± 0.2	10.3 ± 0.2	10.2 ± 0.2

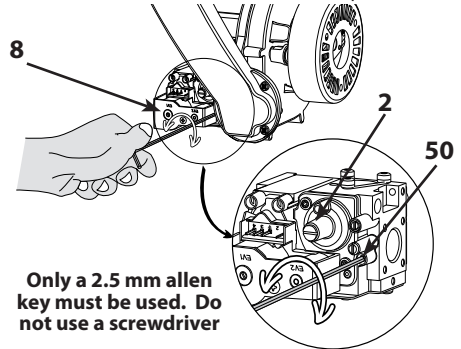
**N.B: when the front combustion chamber panel is open, the CO<sub>2</sub> value drops by 0.3%.**

If the values taken differ from the table, adjust the gas valve following the procedure described below.

Adjust the CO<sub>2</sub> content to ± 0.2 by turning setting screw **50** (2.5 mm allen key)

- tighten to lower the CO<sub>2</sub> value
- unscrew to increase the CO<sub>2</sub> value

Set the content by turning the screw about a 1/4 of a turn then wait after each change for approximately 1 minute for the CO<sub>2</sub> value to stabilise, then repeat.



**Only a 2.5 mm allen key must be used. Do not use a screwdriver**

**Minimum gas flow combustion analysis**

Activate the test function at minimum power by pressing the - button.

Wait for the boiler to stabilise before carrying out the combustion analysis. Check the CO<sub>2</sub> value according to the table above.

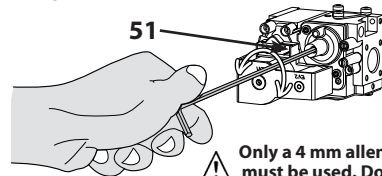
Important: do not remove silencer **13**

**N.B: when the combustion chamber is open, the CO<sub>2</sub> value drops by 0.3%.**

If the values taken differ from the table, adjust the gas valve following the procedure described below.

To adjust the CO<sub>2</sub> value, remove cap **2**, adjust the CO<sub>2</sub> content to ± 0.2 by turning setting screw **51** (4 mm allen key)

- unscrew to lower the CO<sub>2</sub> value
- tighten to increase the CO<sub>2</sub> value



**Only a 4 mm allen key must be used. Do not use a screwdriver**

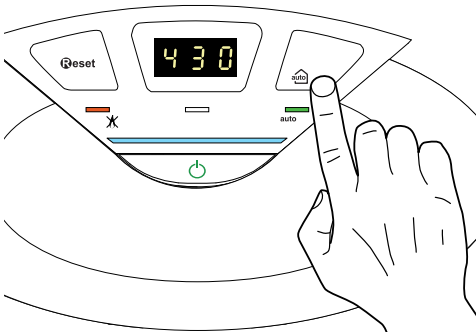
Set by turning the screw about a 1/4 of a turn then wait after each change for approximately 1 minute for the CO<sub>2</sub> value to stabilise, then repeat.

Once the settings and analyses are complete, exit test mode, and reposition the blanking cover and its seal correctly.

## commissioning

### AUTO function

The AUTO function determines the best power output and flow temperature for the heating system by continually monitoring demand. It uses advanced modulating technology to closely track demand and matches output with the highest precision. This ensures that either with or without the addition of further controls the activation of the AUTO function will enhance boiler performance. Optimum performance can be achieved by the addition of an outdoor sensor and indoor modulating controls. Depending on the peripheral units connected and the number of zones controlled, the boiler adjusts its flow temperature automatically. The various corresponding parameters should therefore be set (see adjustments menu). To activate the function, press the Auto button.



### Example 1:

Single zone system (high-temperature) with on/off room thermostat:  
In this case the following parameters must be set:

- 4 21 - Activation of temperature adjustment using sensors
  - Select 1 = Basic temperature adjustment
- 2 44 - Boost Time (optional)  
The wait time for the flow temperature increase in steps of 4°C may be set. The value varies according to the type of system and installation.  
If the Boost Time value = 00 the function is not activated.

### Example 2:

Single zone system (high-temperature) with on/off room thermostat + outdoor sensor:  
In this case the following parameters must be set:

- 4 21 - Activation of temperature adjustment using sensors
  - Select 3 = outdoor sensor only
- 4 22 - Temperature adjustment curve selection
  - Select the relevant curve according to the type of system, installation, heat insulation used in the building, etc (see pae 45).
- 4 23 - Perform a parallel curve shift if necessary, increasing or decreasing the set-point temperature (this may also be modified by the user, using the heating temperature adjustment knob, which, with the Auto function activated, is used to shift the curve in a parallel manner).

NOTE: Two zone temperature management is not suitable for use with Y Plan systems.

NOTE: Where an outdoor sensor is connected and the system is supplying stored domestic hot water and a central heating circuit, each circuit must be separately connected to the PCB using the 'RT' and 'Cyl' connections.

This is to ensure a correct flow temperature to the stored hot water in the summer.

For further information please contact the Technical Help Desk on 0870 241 8180

**Boiler protection devices**

The boiler is protected from malfunctioning by means of internal checks performed by the P.C.B., which stops the boiler from operating if necessary. In the event of the boiler being shut off in this manner, a code appears on the display which refers to the type of shut-off and the reason behind it.

There are two types of shut-off:

**Safety shut-off**

This type of error is “volatile”, which means that the boiler starts up again automatically as soon as the problem which caused the shut-off is removed; the error is indicated by the «Err» symbol which appears on the display and the error code.

In fact, as soon as the cause of the shut-off disappears, the boiler starts up again and continues to operate normally.

While the boiler is shut off for safety reasons it is possible to attempt to restore normal operation by switching the appliance off and on again using the on/off button on the control panel.

If after attempting this the boiler still shows a safety shut off, switch it off and ensure that the external electrical switch is in the off position.

**Shutdown**

This type of error is “non-volatile”, which means that it is not removed automatically. To restore normal operation press the **Reset** button on the control panel.

The first figure of the error code (e.g. 1 01) indicates within which operational assembly the error occurred.

- 1 - Primary Circuit
- 3 - Internal Electronic Part
- 5 - Ignition and Detection
- 6 - Air inlet - flue gas outlet

**Malfunction warning**

This warning is shown by the display in the following format:

5 P1 = FIRST IGNITION ATTEMPT UNSUCCESSFUL  
 the first figure indicating the operational assembly is followed by a P (warning) and the code relating to the specific warning.

**Important**

If this shutdown occurs frequently, contact an authorised Technical Service Centre for assistance. For safety reasons, the boiler will permit a maximum of 5 resets in 15 minutes (5 presses of the RESET button); at the 6th attempt within this 15-minute period the boiler will shut down and may only be operated again after the electricity supply has been disconnected. If the shutdown is occasional or an isolated event, this is not a problem.

**Anti-frost Device.**

The anti-frost function acts on the central heating flow temperature probe, independently from other regulations, when the electrical supply is turned on. If the primary circuit temperature is between 3°C and 8°C the pump will run until the temperature reaches > 9°C.

If the flow temperature remains between 3°C and

8°C the pump will continue to run for a maximum of 20 minutes unless a temperature above > 9°C is detected in the central heating flow, after this the burner will fire (heating position) until a temperature of > 30°C is detected.

If the central heating flow temperature is < 3°C, the burner will fire (heating position) at minimum power until the temperature reaches > 30°C, the burner will go out.

If lockout is caused by overheat the burner will not fire but the pump will continue to run.

The anti-frost device activates only when (with the boiler operating correctly):

- the boiler is electrically powered;
- there is a supply of gas.

**Table summarising error codes**

Central Heating circuit	
Display	Description
1 01	Overheat
1 03	
1 04	
1 05	Insufficient circulation
1 06	
1 07	
1 10	Flow temp. probe circuit open / short circuit
1 12	Return temp. probe circuit open / short circuit
1 14	External sensor circuit open / short circuit
1 18	Heating delivery probe problem
1 P1	
1 P2	Insufficient circulation indication
1 P3	
Internal P.C.B.'s	
3 01	EEPROM error
3 02	Communication error
3 03	Main P.C.B. error
3 04	Too many (> 5) resets in 15 minutes
3 05	Main P.C.B. error
3 06	Main P.C.B. error
3 07	Main P.C.B. error
Ignition and Detection	
5 01	No flame detected
5 02	Flame detected with gas valve closed
5 04	Flame lift
5 P1	1st Ignition Failed
5 P2	2nd Ignition Failed
5 P3	Flame cut-off
Air Inlet / Flue gas outlet	
6 04	Insufficient fan speed
6 10	Thermofuse open

## settings - adjustment - problem identification menus

### Accessing the settings - adjustment - problem identification menus

The boiler can be used to manage the heating system in its entirety.

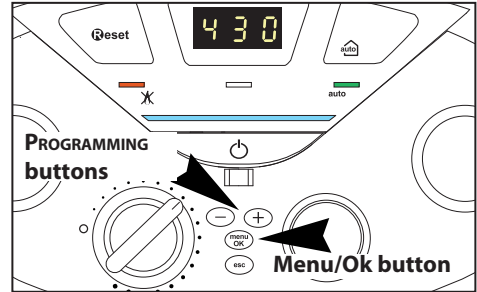
Navigation within the menus enables the boiler system + connected peripheral units to be customised, optimising operation for maximum comfort and maximum saving. It also provides important information relating to the efficient operation of the boiler.

The following menus are available:

<b>2</b>	<b>Boiler Parameter</b>
2 1	Service code (234)
2 2	General setting
2 3	C.H. Parameters - Part 1
2 4	C.H. Parameters - Part 1
2 5	Do not use
2 9	Menu 2 Reset to factory setting
<b>3</b>	<b>Solar &amp; Storage</b>
3 0	General setting
3 1	Service code (234)
3 2	Special setting
<b>4</b>	<b>Zone 1 Parameters</b>
4 0	Set-point Zone1
4 1	Service code (234)
4 2	Zone 1 Setting
4 3	Diagnostics
4 4	Zone device mangement
<b>5</b>	<b>Zone 2 Parameters</b>
5 0	Set-point Zone2
5 1	Service code (234)
5 2	Zone 2 Setting
5 3	Diagnostics
5 4	Zone device mangement
5 5	Multizone
<b>7</b>	<b>Test &amp; Utilities</b>
<b>8</b>	<b>Service Parameter</b>
8 1	Service code (234)
8 2	Boiler
8 3	Boiler Temperature
8 4	Don't use
8 5	Service
8 6	Statistics
8 7	E@sy - NOT ACTIVE
8 8	Error History

The parameters relating to each individual menu are listed in the following pages.

The various parameters can be accessed and modified using the MENU/OK button and programming buttons (+) and (-). (see fig. below).



To access the Menus, open the cover and proceed as follows:

1. Press the MENU/OK button; the first figure **000** will flash on the display.
2. Press the buttons (+) or (-) to select a menu, for example: "**200**".
3. Press the MENU/OK button; the second figures on the display will flash, e.g. "**210**".

**Caution!** The menus reserved for qualified technicians may only be accessed after setting the access code.

4. Press the MENU/OK button; **222** will appear on the display unit.
5. Press the buttons (+) or (-) to select code **234**.
6. Press the MENU/OK button to select the sub menu; the second figures will flash, e.g. "**220**".
7. Press the buttons (+) or (-) to select a sub menu; for example: "**230**".
8. Press the MENU/OK button to access the sub menu parameters; the three figures will flash, for example: "**230**".
9. Press the buttons (+) or (-) to select a parameter; for example: "**231**".
10. Press the MENU/OK button to access the parameter; the display will indicate the value, e.g. "**10**".

**Note:** The parameter value will be displayed for 20 seconds, then will begin to flash in alternation with the parameter, e.g. "**10** > **231**".

11. Press the buttons (+) or (-) to select the new value, e.g. "**15**".
12. Press MENU/OK to save the change or press Esc to exit without saving.

To exit, press the Esc button until the normal display screen is restored.

For menus which do not require the access code, it is possible to pass directly from the menu to the sub menu.

## settings - adjustment - problem identification menus

menu	sub-menu	parameter	description	value	default setting	
<b>2</b>	<b>2</b>	<b>BOILER PARAMETER SETTING</b>				
2	1		Entering access code		222	press the programming "+" button to select 234 and press the MENU button
<b>2</b>	<b>2</b>	<b>BOILER GENERAL SETTING</b>				
2	2	0	Slow ignition	0 to 99	60	RESERVED FOR SAT
2	2	1	Minimum ambient temperature for antifreeze activation	from 2 to 10 °C	5	Activated only with the modulating peripheral device (optional)
2	2	2	NOT PRESENT			
2	2	3	Underfloor thermostat or zone 2 ambient thermostat selection	0 = Underfloor safety thermostat 1 = Zone 2 ambient thermostat	1	Do not modify
2	2	4	NOT PRESENT			
2	2	5	NOT PRESENT			
2	2	6	NOT PRESENT			
2	2	7	NOT PRESENT			
2	2	8	Boiler Version Do not modify	0 to 5	0	RESERVED FOR TECHNICAL ASSISTANCE Only if the PCB is changed
<b>2</b>	<b>3</b>	<b>BOILER PARAMETER - PART 1</b>				
2	3	0	NOT PRESENT			
2	3	1	Maximum heating power setting	0 to 99		see the "gas setting" table, in commissioning
2	3	2	Domestic hot water maximum RPM percentage CANNOT BE MODIFIED	0 to 99		RESERVED FOR TECHNICAL ASSISTANCE Only if the gas or PCB is changed
2	3	3	Minimum RPM percentage CANNOT BE MODIFIED	0 to 99		see "gas setting" table in commissioning
2	3	4	Heating maximum RPM percentage CANNOT BE MODIFIED	0 to 99		
2	3	5	Selection of ignition delay type when heating	0 = Manual 1 = Automatic	1	see section on "gas setting" in commissioning
2	3	6	Ignition delay when heating timer setting	from 0 to 7 minutes	3	
2	3	7	Post-circulation when heating	from 0 to 15 minutes or OC (AC)	3	
2	3	8	NOT PRESENT			
2	3	9	NOT PRESENT			

## settings - adjustment - problem identification menus

menu	sub-menu	parameter	description	value	default setting	
2	4	<b>BOILER PARAMETER - PART 2</b>				
2	4	0	NOT PRESENT			
2	4	1	NOT PRESENT			
2	4	2	NOT PRESENT			
2	4	3	Post-ventilation after heating request	0 = OFF 1 = ON	0	
2	4	4	Time delay after heating temperature increase	from 0 to 60 minutes	16	activated only with thermostat On/Off and heating control activated (parameter 421 or 521 = 01)
			This parameter allows the time delay to be set before automatic increase of the flow temperature calculated in increments of 4°C (max 12°C). If this parameter retains the value 00, this function is not active.			
2	4	5	NOT PRESENT			
2	4	6	NOT PRESENT			
2	4	7	Device indicator for heating circuit pressure	0 = temperature sensor only 1 = pressure switch at minimum 2 = pressure sensor	0	RESERVED FOR TECHNICAL ASSISTANCE Only if the PCB is changed
2	4	8	NOT PRESENT			
2	5	<b>DOMESTIC HOT WATER PARAMETER</b>				
2	5	0	NOT PRESENT			
2	5	1	NOT PRESENT			
2	5	2	NOT PRESENT			
2	5	3	NOT PRESENT			
2	5	4	NOT PRESENT			
2	5	5	NOT PRESENT			
2	9	<b>RESET MENU 2</b>				
2	9	0	Automatically resetting to the default setting in menu 2	Reset OK = yes ESC = no		To reset all default parameter settings, press the MENU button



## settings - adjustment - problem identification menus

menu	sub-menu	parameter	description	value	default	etting
<b>4</b>	<b>ZONE 1 PARAMETER</b>					
<b>4</b>	<b>0</b>	<b>ZONE 1 TEMPERATURE SETTING</b>				
<b>4</b>	<b>0</b>	<b>0</b>	Zone 1 comfort temperature setting "Comfort ambience T"	from 10 to 30 °C	19	Activated only with the modulating device connected (option)
<b>4</b>	<b>0</b>	<b>1</b>	Zone 1 reduced temperature setting "Reduced ambience T"	from 10 to 30 °C	16	
<b>4</b>	<b>0</b>	<b>2</b>	Heating fixed temperature setting "Heating fixed temp"	from 20 to 82 °C	70	Activated only with temperature control and fixed temperature
<b>4</b>	<b>1</b>		Entering access code		222	press the programming "+" button to select 234 and press the MENU button
<b>4</b>	<b>ZONE 1 SETTING</b>					
<b>4</b>	<b>2</b>	<b>0</b>	Heating appliance temperature value setting	0 = from 20 to 45°C (low temperature) 1 = from 35 to 85°C (high temperature)	1	select in the appliance type base
<b>4</b>	<b>2</b>	<b>1</b>	Basic heating control type selection type depending on the peripheral devices connected	0 = fixed flow temperature 1 = device On/Off 2 = ambient sensor only 3 = external sensor only 4 = ambient sensor + external sensor	1	To activate heating control, press the AUTO button. The Auto light is illuminate
<b>4</b>	<b>2</b>	<b>2</b>	Slope	0_2 to 3_5	1_5	
			<p>If the external sensor is used, the boiler calculates the most suitable heating flow temperature taking the external temperature and the type of appliance into account.</p> <p>The type of curve must be chosen according to the type of appliance radiator and the heat losses present in the building.</p>			
<b>4</b>	<b>2</b>	<b>3</b>	Parallel shift	- 20 to + 20	0	
			<p>To adapt the thermal curve to the appliance requirements, it is possible to perform a parallel shift of the curve in order to alter the calculated flow temperature and therefore the ambient temperature.</p> <p>The shift value between - 20 and + 20 is shown on the display. Each level corresponds to a 1°C increase in the flow temperature in relation to the initial setting.</p>			
<b>4</b>	<b>2</b>	<b>4</b>	Compensation	0 to + 20	20	
			<p>if setting = 0, the temperature taken from the ambient sensor does not affect the calculation of the setting. If setting = 20, the temperature taken has maximum influence on the setting.</p>			
<b>4</b>	<b>2</b>	<b>5</b>	Zone 1 heating maximum temperature setting	35 to + 82°C 20 to + 45°C	82	if parameter 420 = 1 45 if parameter 420 = 0
<b>4</b>	<b>2</b>	<b>6</b>	Zone 1 heating minimum temperature setting	35 to + 82°C 20 to + 45°C	35	if parameter 420 = 1 20 if parameter 420 = 0
<b>4</b>	<b>DIAGNOSTICS</b>					
<b>4</b>	<b>3</b>	<b>0</b>	Zone 1 room temperature			display only
<b>4</b>	<b>3</b>	<b>1</b>	Zone 1 set temperature			Activated only with the modulating device connected (option)
<b>4</b>	<b>3</b>	<b>2</b>	Zone 1 heat request	0=OFF 1=ON		
<b>4</b>	<b>3</b>	<b>3</b>	NOT PRESENT			
<b>4</b>	<b>ZONE DEVICE MANAGEMENT</b>					
<b>4</b>	<b>4</b>	<b>0</b>	NOT PRESENT			

## settings - adjustment - problem identification menus

menu	sub-menu	parameter	description	value	default setting	
<b>5</b>	<b>ZONE 2 PARAMETER</b>					
<b>5 0</b>	<b>ZONE 2 TEMPERATURE SETTING</b>					
5 0 0			NOT PRESENT			
5 0 1			NOT PRESENT			
5 0 2			NOT PRESENT			
<b>5 1</b>			Entering access code		222	press the programming "+" button to select 234 and press the MENU button
<b>5 2</b>	<b>CYLINDER SETTING</b>					
<b>5 2 0</b>			Heating appliance temperature value setting	0 = from 20 to 45°C (low temperature) 1 = from 35 to 85°C (high temperature)	1	select in the appliance type base
<b>5 2 1</b>			Basic heating control type selection type depending on the peripheral devices connected	0 = fixed flow temperature 1 = device On/Off 2 = ambient sensor only 3 = external sensor only 4 = ambient sensor + external sensor	0	To activate heating control, press the AUTO button. The Auto light is illuminate
5 2 2			NOT PRESENT			
5 2 3			NOT PRESENT			
5 2 4			NOT PRESENT			
<b>5 2 5</b>			Zone 2 heating maximum temperature setting	35 to + 82°C 20 to + 45°C	82 45	if parameter 420 = 1 if parameter 420 = 0
<b>5 2 6</b>			Zone 2 heating minimum temperature setting	35 to + 82°C 20 to + 45°C	35 20	if parameter 420 = 1 if parameter 420 = 0
<b>5 3</b>	<b>DIAGNOSTICS</b>					
5 3 0			NOT PRESENT			
5 3 1			NOT PRESENT			
5 3 2			NOT PRESENT			
<b>5 3 3</b>			Zone 2 set temperature			
<b>5 3 4</b>			Zone 2 heat request	0=OFF 1=ON		
<b>5 3 5</b>			Zone 2 Pump status	0=OFF 1=ON		
<b>5 4</b>	<b>ZONE DEVICE MANAGEMENT</b>					
5 4 0			NOT PRESENT			
5 4 1			NOT PRESENT			
5 4 2			NOT PRESENT			
<b>5 5</b>	<b>MULTIZONE</b>					
5 5 0			NOT PRESENT			
5 5 1			NOT PRESENT			

## settings - adjustment - problem identification menus

menu	sub-menu	parameter	description	value	default setting
<b>7 TEST &amp; UTILITIES</b>					
7	0	0	Function test - Cleaning turn the encoder to select the operating mode	t-- = funct. at Max heating power	t-- activation can also be obtained by pressing the <b>Reset</b> button for 10 seconds. The function is deactivated after 10 minutes or by pressing <b>Reset</b>
7	0	1	Bleed cycle	press <b>Menu</b>	
<b>8 PARAMETER FOR TECHNICAL ASSISTANCE</b>					
8	1		Entering access code		222 press the programming "+" button to select 234 and press the MENU button
<b>8 2 BOILER</b>					
8	2	0	NOT PRESENT		
8	2	1	Fan status	ON or OFF	
8	2	2	Fan speed (x100) rpm		
8	2	3	NOT PRESENT		
8	2	4	NOT PRESENT		
8	2	5	NOT PRESENT		
8	2	6	NOT PRESENT		
<b>8 3 BOILER TEMPERATURE</b>					
8	3	0	Heating adjustment temperature (°C)		
8	3	1	Heating flow temperature (in °C)		
8	3	2	Heating backflow temperature (in °C)		
8	3	3	NOT PRESENT		
<b>8 4 SOLAR APPLIANCE AND TANK</b>					
8	4	0	NOT PRESENT		
8	4	1	NOT PRESENT		
8	4	2	NOT PRESENT		
8	4	3	NOT PRESENT		
8	4	4	NOT PRESENT		
8	4	5	NOT PRESENT		
8	4	6	NOT PRESENT		
<b>8 5 SERVICE - TECHNICAL ASSISTANCE</b>					
8	5	0	NOT PRESENT		
8	5	1	NOT PRESENT		
8	5	2	NOT PRESENT		
8	5	3	NOT PRESENT		
8	5	4	PCB hardware version		
8	5	5	PCB software version		
8	5	6	NOT PRESENT		

## settings - adjustment - problem identification menus

menu	sub-menu	Parameter	Description	value	default setting
8	6	<b>STATISTICS</b>			
8	6	0	Number of hours burner operating in heater mode (xxh/10)		
8	6	1	NOT PRESENT		
8	6	2	Number of flame separations (nr/10)		
8	6	3	Number of ignition cycles (nr/10)		
8	6	4	NOT PRESENT		
8	6	5	Average length of heating request (minutes)		
8	7	<b>E@SY HOTLINE NOT ACTIVE</b>			
8	7	0			
8	7	1			
8	8	<b>ERROR LIST</b>			
8	8	0	10 last errors	from E00 to E99	
			This parameter allows the last 10 boiler errors flagged to be displayed, indicating the day, month and year. When the parameter is accessed, the errors are displayed listed from E00 to E99. For each error, the following sequence is displayed: E00 - error number 108 - error code		
8	8	1	Error list reset	Reset OK = yes ESC = no	

**Important**

Maintenance is an essential part of the safe and efficient operation of the boiler and ensures its durability. It should be performed according to the instructions given in current legislation. Perform combustion analysis regularly in order to check the operating efficiency of the boiler and to make sure any polluting substances released are within the boundaries set by current legislation.

Before beginning maintenance work:

- Disconnect the appliance from the electricity supply by turning the external bipolar switch to the "OFF" position;
- Remove the fuse
- Close the gas isolation valve.

After the work has been completed the initial settings will be restored.

**General comments**

It is recommended that the following inspections be carried out on the boiler at least once a year:

1. Check the seals in the water part and, if necessary, replace the gaskets and restore the seal to perfect working order.
2. Check the seals in the gas part and, if necessary, replace the gaskets and restore the seal to perfect working order.
3. Visually check the overall condition of the boiler.
4. Visually check the combustion and, if necessary, disassemble and clean the burner.
5. Following the inspection detailed in point "3", disassemble and clean the combustion chamber, if necessary.
6. Following the inspection detailed in point "4", disassemble and clean the burner and injector, if necessary.
7. Cleaning the primary heat exchanger
8. Make sure the following heating safety devices are operating correctly:
  - temperature limit safety device.
9. Make sure that the following gas part safety devices are operating correctly:
  - absence of gas or flame safety device (ionisation).
10. Perform a general inspection of the boiler operation.
11. Remove oxide from the detection electrode using an emery cloth.
12. After servicing, complete the relevant Service Interval Record section of the Benchmark Checklist (page 62).
13. These checks are not exhaustive. Further mechanical, electrical, condensate and combustion maintenance checks may be required.
14. Clean and refill the condensate trap

**Operational test**

After having carried out the maintenance operations, fill the heating circuit at a pressure of approximately 1.5 bar and release the air from the system (scaled system only).

- Begin operating the boiler.
- If necessary, release the air from the heating system again.
- Check the settings and make sure all the command, adjustment and monitoring parts are working correctly.

- Check the flue system is sealed and operating correctly.

**Draining procedures**

The heating system must be drained using the following procedure:

- Switch off the boiler, make sure the external bipolar switch is in the OFF position;
- Open the system drain off cock and collect the escaping water in a container;
- Empty the water from the lowest points of the system (where applicable).

If the system is to be left inactive in areas where the room temperature may fall below 0°C during winter, we recommend that anti-freeze liquid is added to the water in the heating system in order to avoid the need for repeated draining; when this liquid is used make sure it is compatible with the stainless steel used for the bodywork of the boiler.

We recommend the use of anti-freeze products which contain PROPYLENE GLYCOLS as these inhibit corrosion and that they are used in conjunction with the anti-scaling and anti-corrosion function, in the quantities suggested by the manufacturer, at the minimum temperature.

Regularly check the pH level of the water/anti-freeze mix in the boiler circuit and replace it when the value measured is lower than the limit prescribed by the manufacturer.

**DO NOT MIX DIFFERENT TYPES OF ANTI-FREEZE.**

The manufacturer will not be held liable for any damage caused by the appliance or the system due to the use of inappropriate anti-freeze substances or additives.

**WARNING**

Before handling, empty all components which may contain hot water, performing bleeding where necessary.

Descale the components in accordance with the instructions provided on the safety data leaflet supplied with the product used, make sure the room is well ventilated, wear protective clothing, avoid mixing different products, and protect the appliance and surrounding objects.

Seal all openings used to take a gas pressure reading or to make any gas adjustments.

Make sure that the nozzle is compatible with the supplied gas.

If a smell of burning is detected or smoke is seen leaking from the appliance, or there is a smell of gas, disconnect it from the electricity supply, shut off the gas valve, open the windows and call for technical assistance.

**Cleaning the condensate trap**


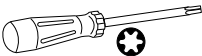


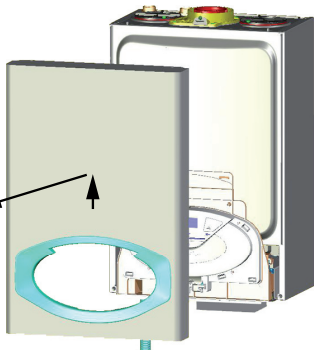
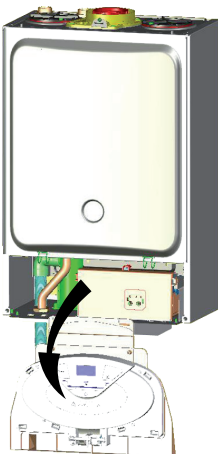
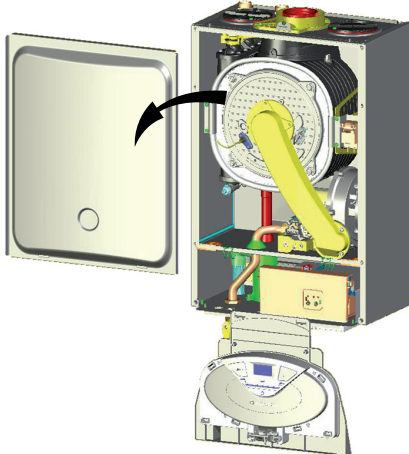
The trap is accessed by emptying the condensate bowl located in the bottom section. Wash with water and detergent.

Replace the condensate collection bowl in its housing. NB: In the event of prolonged use of the appliance, the trap must be filled before being used again.



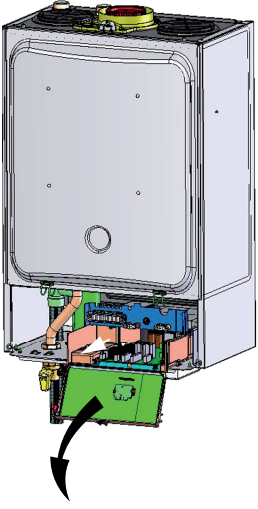
A lack of water in the siphon is dangerous and may cause exhaust gases to be released into the atmosphere.



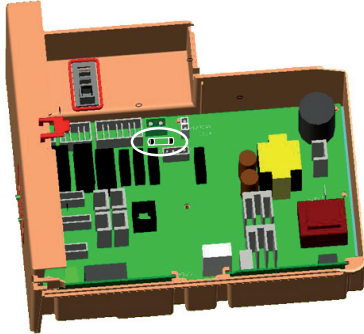

# MAINTENANCE GUIDE

## 1. GENERAL ACCESS

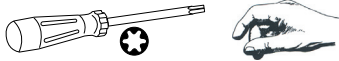

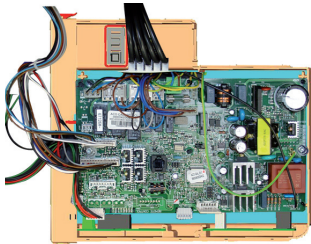
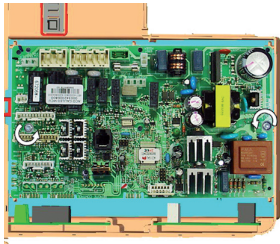
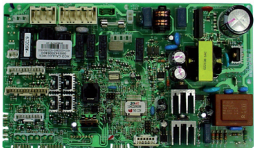
GENERAL ACCESS		Time  3 min
<b>Tools</b>  	<p><b>1</b></p>  <p>Remove the two screws</p>  <p>Remove the front panel</p>  <p>Lower the control panel</p>	
<p><b>2</b></p>	 <p>Remove the combustion chamber front panel by releasing the clips</p>	

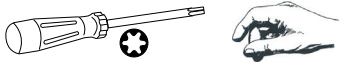

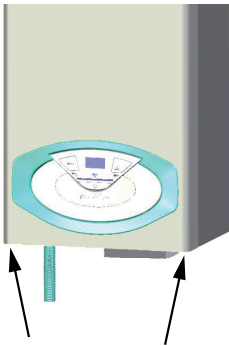
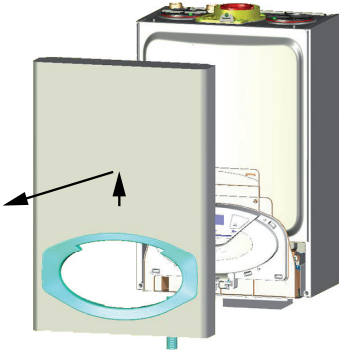
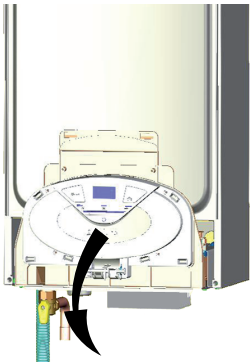
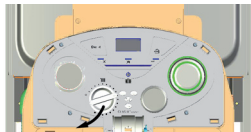
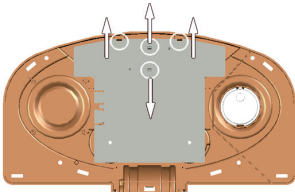
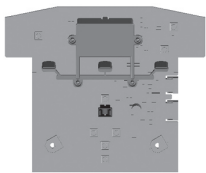

2. ELECTRICAL UNIT

2.1 CONTROL BOX ACCESS	
<p><b>Tools</b> </p>	<p><b>Time</b>  4 min</p>
<p>1</p>  <p>Pull and Lower the electrical box cover</p>	

2.2 FUSE	
<p><b>Tools</b> </p>	<p><b>Time</b>  4 min</p>
<p>1</p>  <p>Remove the fuse</p>	



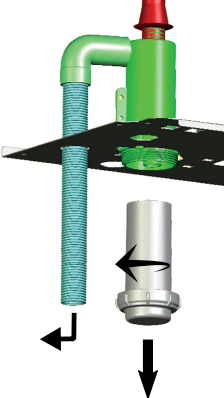
# MAINTENANCE GUIDE



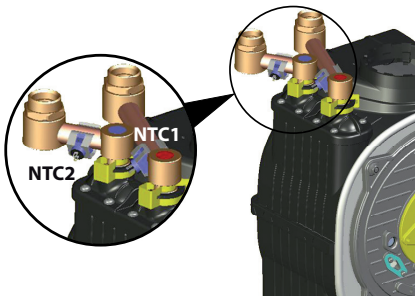
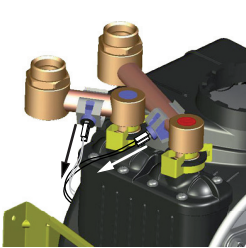
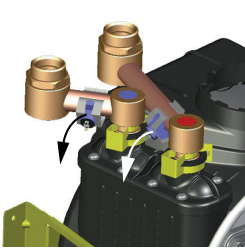
2.3 MAIN PCB		Tools	Time
			 7 min
1	 After opening the control box, disconnect the electrical plug connectors	 Unscrew the two screws and remove the PCB	

2.4 DISPLAY PCB		Tools	Time
			 7 min
1	 Remove the two screws	 Remove the front panel	 Lower the door
2	 Remove the control knob	 Disconnect the electrical plug connectors, unlock the four clamps, and remove the PCB	
	 Unscrew the four screws and pull the assembly towards you		



3. HYDRAULIC UNIT

<b>3.1 CONDENSE TRAP</b>	
<b>Tools</b> 	<b>Time</b>  3 min
<p>1</p> 	<p>Unscrew the condense trap from the condense body</p>

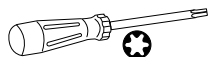
<b>3.2 TEMPERATURE SENSORS</b>	
<b>Tools</b> 	<b>Time</b>  5 min
<p>1</p>  <p style="text-align: center;">NTC1 : Black wires NTC2 : Grey wires</p>	 <p style="text-align: center;">Unplug the electrical connectors</p>  <p style="text-align: center;">Remove the clip and the temperature sensor</p>

**IMPORTANT !** Do not use conducting paste for the contact sensors because it will alter the resistance value.

TEMPERATURE	RESISTANCE (kOhm)
0	27
10	17
20	12
25	10
30	8
40	5
50	4

## 3.3 MAIN HEAT EXCHANGER

Tools

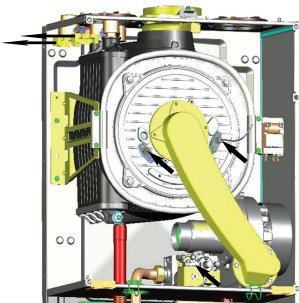


Time

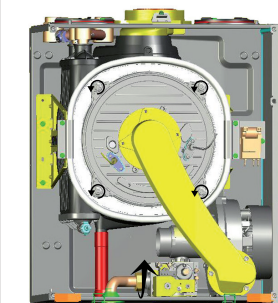


20 min

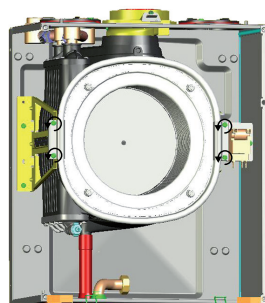
1



Remove the two clips and disconnect the two pipes. Disconnect electrical gas valve, and electrode (detection and ignition).



Remove the four screws and disconnect the gas pipe from the gas valve.

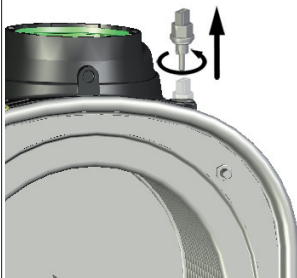


Remove the four screws to free the heat exchanger.

2

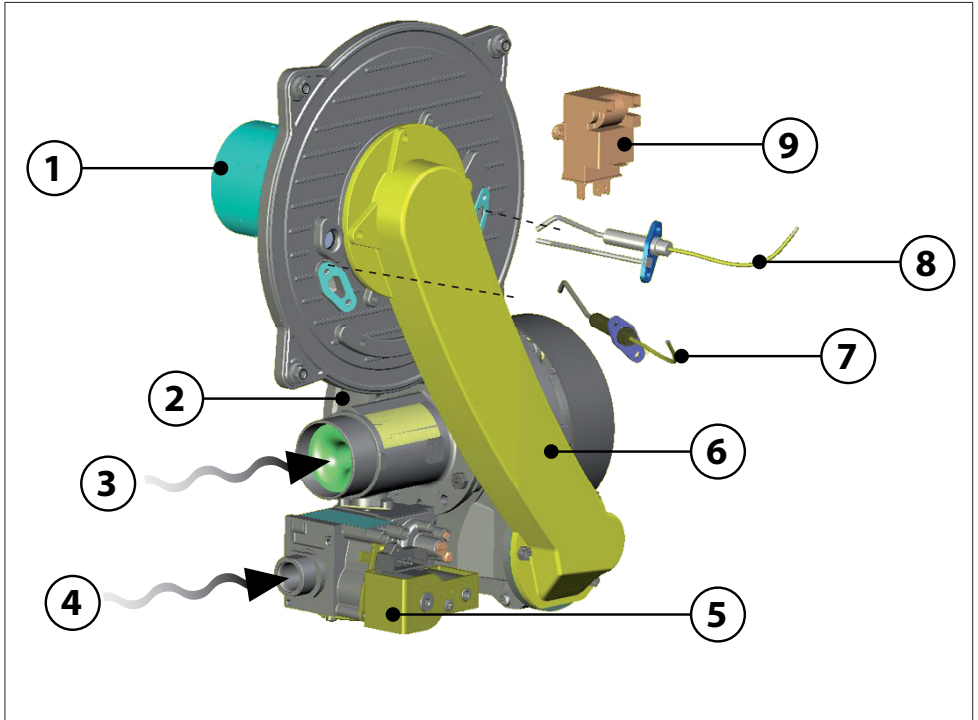


Pull the heat exchanger towards you.



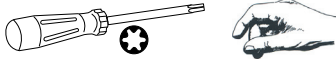

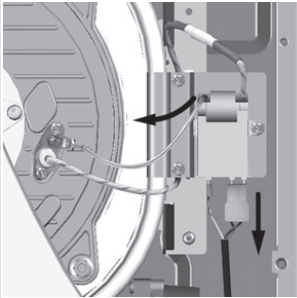
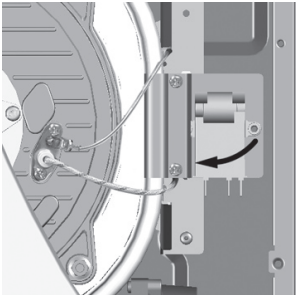
Twist the thermal fuse to remove.

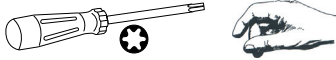

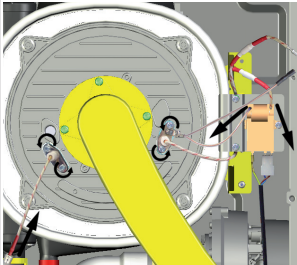
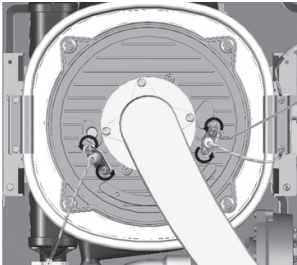

4. BURNER UNIT



LEGEND

1. Burner	6. Mixing tube
2. Fan	7. Detection electrode
3. Air inlet	8. Ignition electrode
4. Gas inlet	9. Spark generator
5. Gas valve	

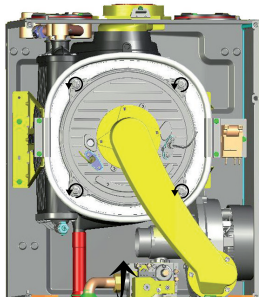
4.1 SPARK GENERATOR		
<b>Tools</b> 	<b>Time</b>  5 min	
<b>1</b>  Unplug the ignition electrode from the spark generator	 Remove the screws and the spark generator	

4.2 ELECTRODES		
<b>Tools</b> 	<b>Time</b>  6 min	
<b>1</b>  Unplug the electrodes	 Remove the screws and pull the electrodes towards you	

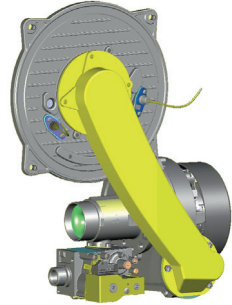
4.3 BURNER



1

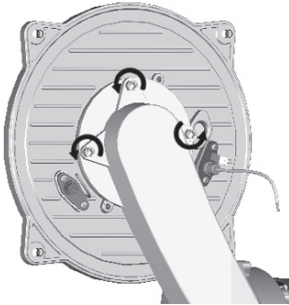


Isolate the gas supply. Remove the four screws and disconnect the gas pipe from the gas valve

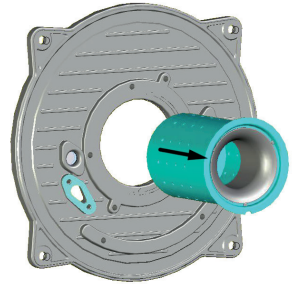


Pull the assembly towards you

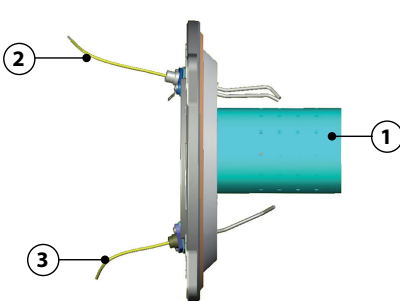
2



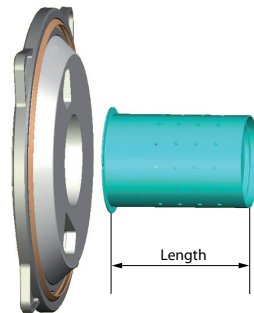
Remove the three screws to free the burner door



Pull the burner toward you  
Replace any gaskets that are damaged or showing signs of deterioration



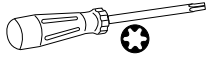
1. Stainless Steel Burner
2. Ignition electrode
3. Detection electrode



Power	Length	Venturi
12 kW	73.4 mm	Ø 42 mm
18 kW	73.4 mm	Ø 42 mm
24 kW	104.6 mm	Ø 42 mm

## 4.4 FAN

Tools

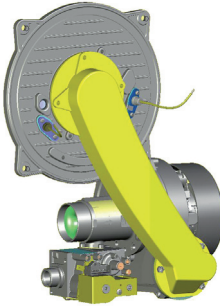


Time

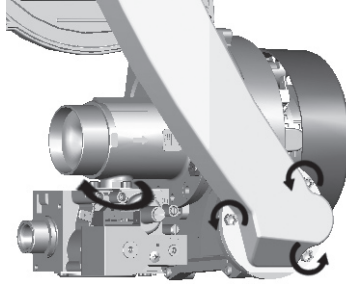


15 min

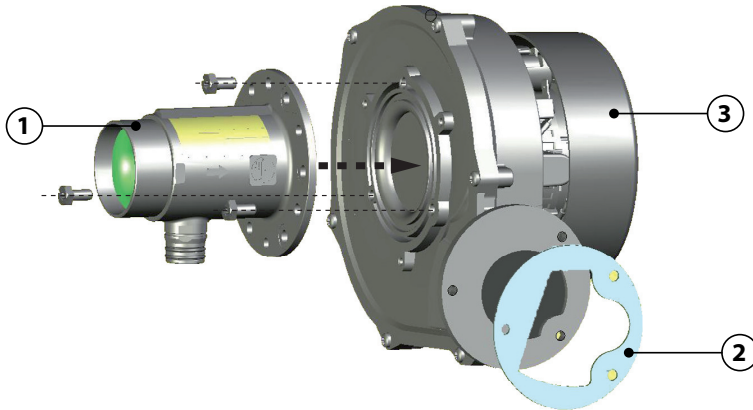
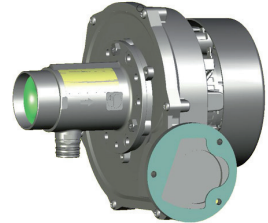
1



Remove the combustion assembly (see 4.3)



Remove the three screws to free the fan.  
Twist the gas valve anti-clockwise to disengage it from the fan



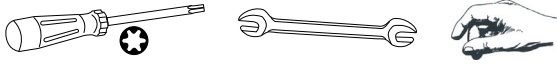

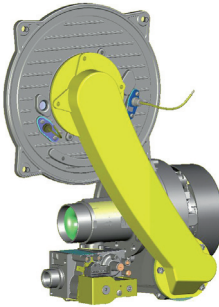
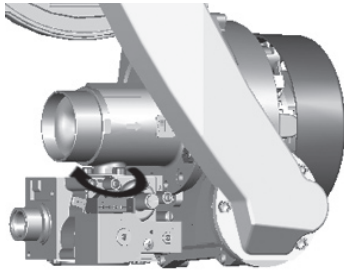
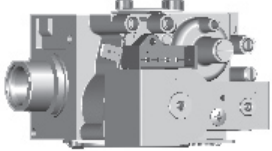
1. Venturi

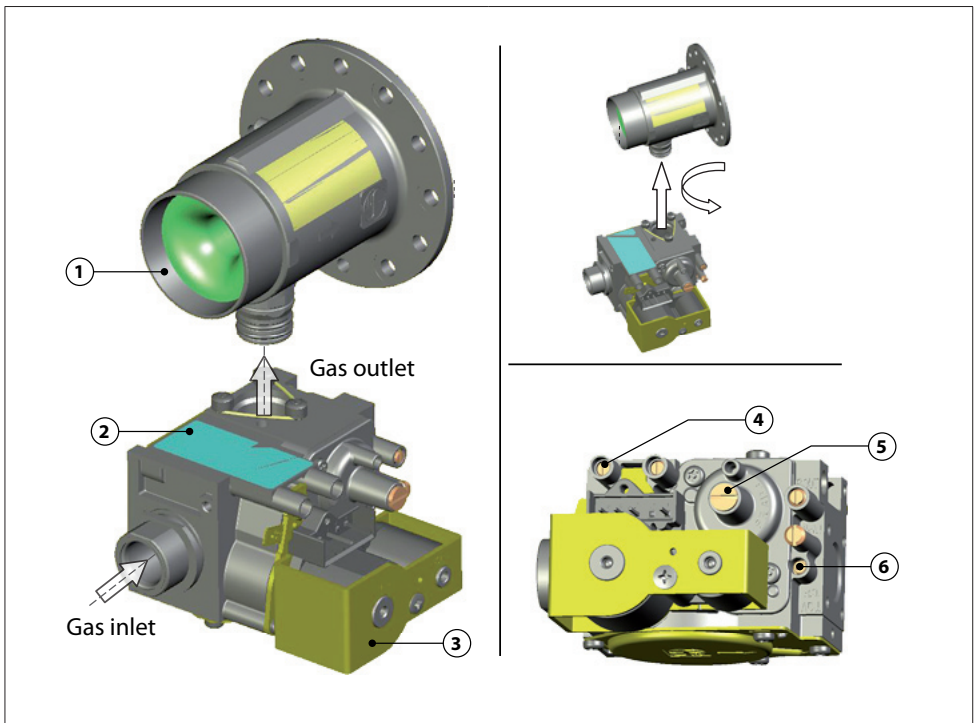
2. Gasket

3. Fan

Fan & mixer venturi according to the model		
Power	Fan	Venturi diameter
12 kW	EBM RG 128 45 W	Ø 14 mm
18 kW	EBM RG 128 45 W	Ø 17 mm
24 kW	EBM RG 128 45 W	Ø 17 mm

4.5 GAS VALVE

<p><b>Tools</b></p> 		<p><b>Time</b></p>  <p>15 min</p>
<p><b>1</b></p>  <p>Remove the combustion assembly (see 4.3)</p>	 <p>Twist the gas valve anti-clockwise to disengage it from the fan</p>	 <p>Replacement Gas Valves are not factory set and will need to be set up ( see page 39)</p>



**LEGEND**

1. Venturi	4. Inlet test nipple
2. Gas valve	5. Offset adjustment
3. Solenoids	6. Throttle adjustment

## MAINTENANCE GUIDE

### 5 ANNUAL MAINTENANCE

#### Ignition & detection electroded

Maintenance Interval : Annually

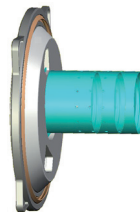
How : Visual inspection / Clean as necessary / Distance from the burner / Ionisation current more than 1  $\mu$ A



#### Burner

Maintenance Interval : Annually

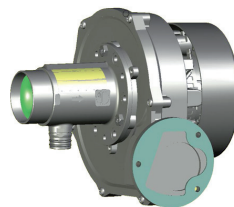
How : Visual inspection / Clean as necessary



#### Fan

Maintenance Interval : Annually

How : Visual inspection / Clean as necessary



#### Primary heat exchanger

Maintenance Interval : Annually

How : Visual inspection / Clean as necessary



#### Condensate trap

Maintenance Interval : Annually

or after cleaning primary heat exchanger

How : Visual inspection / Clean as necessary /  
Add water before replacing







# SERVICE RECORD

It is recommended that your heating system is serviced regularly and that the appropriate Service Record is completed.

## Service Provider

Before completing the appropriate Service Record below, please ensure you have carried out the service as described in the manufacturer's instructions.

Always use the manufacturer's specified spare part when replacing controls.

### SERVICE 1 Date

Energy Efficiency Checklist completed? Yes  No

Engineer Name \_\_\_\_\_

Company Name \_\_\_\_\_

Telephone Number \_\_\_\_\_

CORGI ID Number \_\_\_\_\_

Comments \_\_\_\_\_

Signature \_\_\_\_\_

### SERVICE 2 Date

Energy Efficiency Checklist completed? Yes  No

Engineer Name \_\_\_\_\_

Company Name \_\_\_\_\_

Telephone Number \_\_\_\_\_

CORGI ID Number \_\_\_\_\_

Comments \_\_\_\_\_

Signature \_\_\_\_\_

### SERVICE 3 Date

Energy Efficiency Checklist completed? Yes  No

Engineer Name \_\_\_\_\_

Company Name \_\_\_\_\_

Telephone Number \_\_\_\_\_

CORGI ID Number \_\_\_\_\_

Comments \_\_\_\_\_

Signature \_\_\_\_\_

### SERVICE 4 Date

Energy Efficiency Checklist completed? Yes  No

Engineer Name \_\_\_\_\_

Company Name \_\_\_\_\_

Telephone Number \_\_\_\_\_

CORGI ID Number \_\_\_\_\_

Comments \_\_\_\_\_

Signature \_\_\_\_\_

### SERVICE 5 Date

Energy Efficiency Checklist completed? Yes  No

Engineer Name \_\_\_\_\_

Company Name \_\_\_\_\_

Telephone Number \_\_\_\_\_

CORGI ID Number \_\_\_\_\_

Comments \_\_\_\_\_

Signature \_\_\_\_\_

### SERVICE 6 Date

Energy Efficiency Checklist completed? Yes  No

Engineer Name \_\_\_\_\_

Company Name \_\_\_\_\_

Telephone Number \_\_\_\_\_

CORGI ID Number \_\_\_\_\_

Comments \_\_\_\_\_

Signature \_\_\_\_\_

### SERVICE 7 Date

Energy Efficiency Checklist completed? Yes  No

Engineer Name \_\_\_\_\_

Company Name \_\_\_\_\_

Telephone Number \_\_\_\_\_

CORGI ID Number \_\_\_\_\_

Comments \_\_\_\_\_

Signature \_\_\_\_\_

### SERVICE 8 Date

Energy Efficiency Checklist completed? Yes  No

Engineer Name \_\_\_\_\_

Company Name \_\_\_\_\_

Telephone Number \_\_\_\_\_

CORGI ID Number \_\_\_\_\_

Comments \_\_\_\_\_

Signature \_\_\_\_\_

### SERVICE 9 Date

Energy Efficiency Checklist completed? Yes  No

Engineer Name \_\_\_\_\_

Company Name \_\_\_\_\_

Telephone Number \_\_\_\_\_

CORGI ID Number \_\_\_\_\_

Comments \_\_\_\_\_

Signature \_\_\_\_\_

### SERVICE 10 Date

Energy Efficiency Checklist completed? Yes  No

Engineer Name \_\_\_\_\_

Company Name \_\_\_\_\_

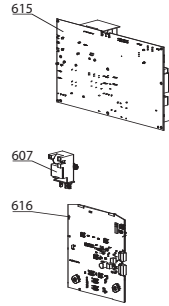
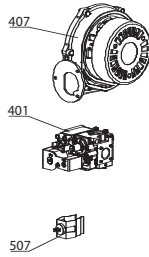
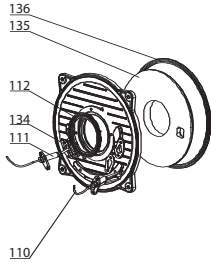
Telephone Number \_\_\_\_\_

CORGI ID Number \_\_\_\_\_

Comments \_\_\_\_\_

Signature \_\_\_\_\_

# SHORT LIST



Key N	Description	Manf. Pt.N	Type	HE P			CLAS		Manf. date	
				12	18	24	30	from	to	
<b>0100</b>	<b>BURNER ASSEMBLY</b>									
0110	IGNITION ELECTRODE	61317432		•	•	•				
0111	IONIZATION ELECTRODE	61317433		•	•	•				
0112	GASKET D.85-66.5-2.5	61314753		•	•	•				
0134	ELECTRODE GASKET	60000286		•	•	•				
0135	COMBUSTION CHAMBER LINING KIT	60000297		•	•	•				
0136	DOOR GASKET	60000623		•	•	•				
<b>0400</b>	<b>GAS SECTION</b>									
0401	GAS VALVE	60000537		•	•	•				
0407	FAN ASSY	60000622		•	•	•				
<b>0500</b>	<b>HYDRAULIC</b>									
0507	TEMPERATURE PROBE + CLIP	990686		•	•	•				
<b>0600</b>	<b>ELECTRICAL BOX</b>									
0607	IGNITER	61002105-20		•	•	•				
0615	PRINTED CIRCUIT BOARD	60000566		•	•	•				
0616	PRINTED CIRCUIT BOARD (DISPLAY)	65104448		•	•	•				



Commercial subsidiaries:

MTS (GB) Limited  
MTS Building  
Hughenden Avenue  
High Wycombe  
Bucks HP13 5FT  
Telephone: (01494) 755600  
Fax: (01494) 459775  
Internet: [www.ariston.co/uk](http://www.ariston.co/uk)  
E-mail: [info@uk.mtsgroup.com](mailto:info@uk.mtsgroup.com)  
Technical Advice: 0870 241 8180  
Customer Service: 0870 600 9888

Professional Team Limited  
Suites 9 & 10, Plaza 256  
Blanchardstown Corporate Park 2  
Ballycoolin  
Dublin 15  
Telephone: (01) 899 1500  
Fax: (01) 899 1501  
Internet: [www.mtsgroup.com/ie](http://www.mtsgroup.com/ie)  
E-mail: [info@ie.mtsgroup.com](mailto:info@ie.mtsgroup.com)  
Technical Advice: (01) 437 0121  
Customer Service: (01) 437 0121